



US00D979467S

(12) **United States Design Patent** (10) **Patent No.:** **US D979,467 S**
Frascella et al. (45) **Date of Patent:** **** Feb. 28, 2023**

(54) **VEHICLE BACKSIDE**
(71) Applicant: **Jaguar Land Rover Limited**, Whitley
Coventry (GB)
(72) Inventors: **Massimo Frascella**, Whitley Coventry
(GB); **Constantino Segui Gilabert**,
Whitley Coventry (GB)
(73) Assignee: **Jaguar Land Rover Limited**, Whitley
Coventry (GB)
(**) Term: **15 Years**
(21) Appl. No.: **29/786,750**
(22) Filed: **Jun. 2, 2021**
(30) **Foreign Application Priority Data**

Dec. 3, 2020 (EM) 008307623-0005

(51) **LOC (14) Cl.** **12-16**

(52) **U.S. Cl.**
USPC **D12/164**

(58) **Field of Classification Search**
USPC D12/86, 90, 91, 92, 93, 163, 169, 196;
D21/424, 433, 434; D25/48.1, 48.4, 48.5,
D25/199
CPC B62D 25/08; B62D 33/0273; B62D 33/03;
B62D 33/037; B62D 33/023; B62D
33/033

See application file for complete search history.

(56) **References Cited**

U.S. PATENT DOCUMENTS

D758,271 S * 6/2016 McMahan D12/196
D784,232 S * 4/2017 Henstridge D12/196
D856,882 S * 8/2019 Ninov D12/196
D859,254 S * 9/2019 Izard D12/196
D864,821 S * 10/2019 Thogersen D12/196
D890,054 S * 7/2020 Platto D12/196
D890,055 S * 7/2020 Platto D12/196
D897,255 S * 9/2020 Zipfel D12/196
D908,572 S * 1/2021 Langhals D12/196
D930,539 S * 9/2021 Matsuoka D12/196

D960,803 S * 8/2022 Kaoud D12/196
D960,805 S * 8/2022 Ruiz D12/196
D961,475 S * 8/2022 Kaoud D12/196

OTHER PUBLICATIONS

Tailgates (Design—© Questel) orbit.com. [Online PDF compilation
of references] 47 pgs. Print Dates Range Nov. 1, 2021-Nov. 3, 2021
[Retrieved Sep. 16, 2022].*

Rear Tail Gate Lift Gate Lid. 2014. Pacific Motors. <https://www.pacificmotors.com/auto-parts-shop/land-rover/range-rover-sport-l494-2014/rear-tail-gate-lift-gate-lid-fuji-white-lr113833-oem-range-rover-sport-2014-19/>.*

For Range Rover Vogue. 2013. eBay, https://www.ebay.com/itm/174832891873?chn=ps&_trkparms=ispr%3D1&amdata=enc%3A1RvVOPw_ITwyfPMs_AUAqTA6&norover=1&mkevt=1&mkrid=711-117182-37290-0&mkcid=2&itemid=174832891873&targetid=1644837434363&device=c&mktype=&googleloc=9008192&poi=&campaignid=16743749222&mkgroupid=13874454.*

2022 Jaguar Range Rover First Impression. 2022. Instagram. <https://www.instagram.com/p/CisMQ2JuyXI/>.*

* cited by examiner

Primary Examiner — George D. Kirschbaum

Assistant Examiner — Suzanne E Tisdell

(74) *Attorney, Agent, or Firm* — Wood Herron & Evans
LLP

(57) **CLAIM**

The ornamental design for a vehicle backside, as shown and
described.

DESCRIPTION

FIG. 1 is a front left perspective view of a vehicle backside
according to the present invention.

FIG. 2 is a rear right perspective view of the vehicle
backside shown in FIG. 1.

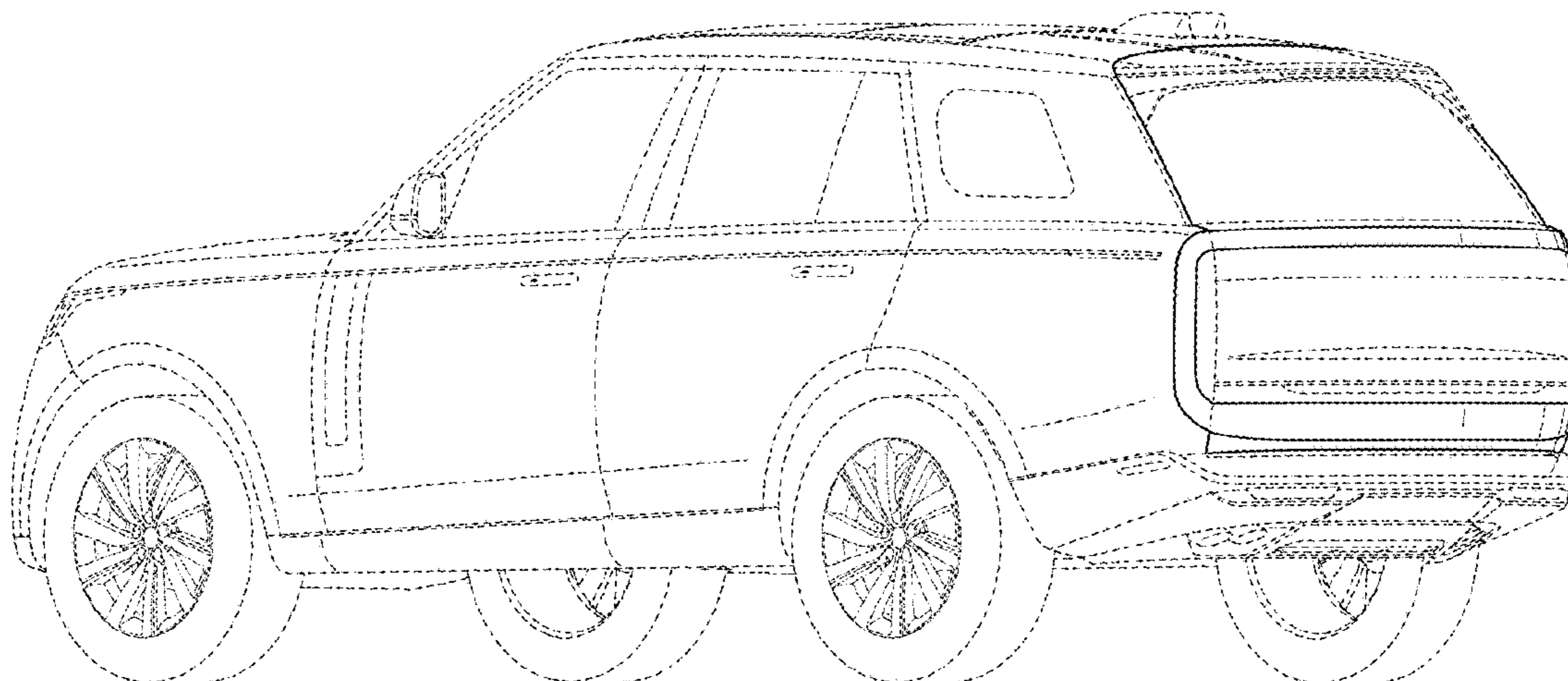
FIG. 3 is a front view thereof.

FIG. 4 is a right side view thereof.

FIG. 5 is a left side view thereof; and,

FIG. 6 is a top view thereof.

(Continued)



The broken lines form no part of the claimed design, but are instead included to show environmental aspects thereof.

1 Claim, 6 Drawing Sheets

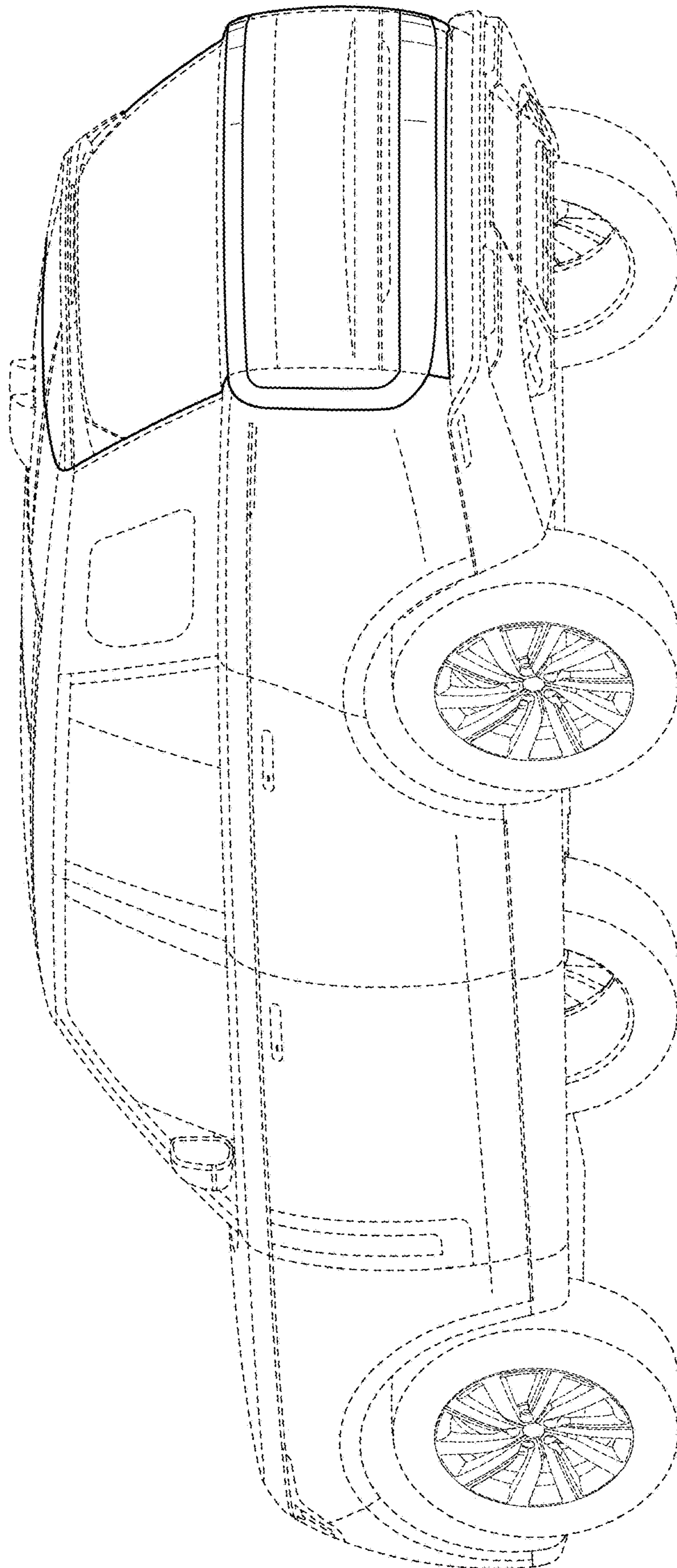


FIG. 1

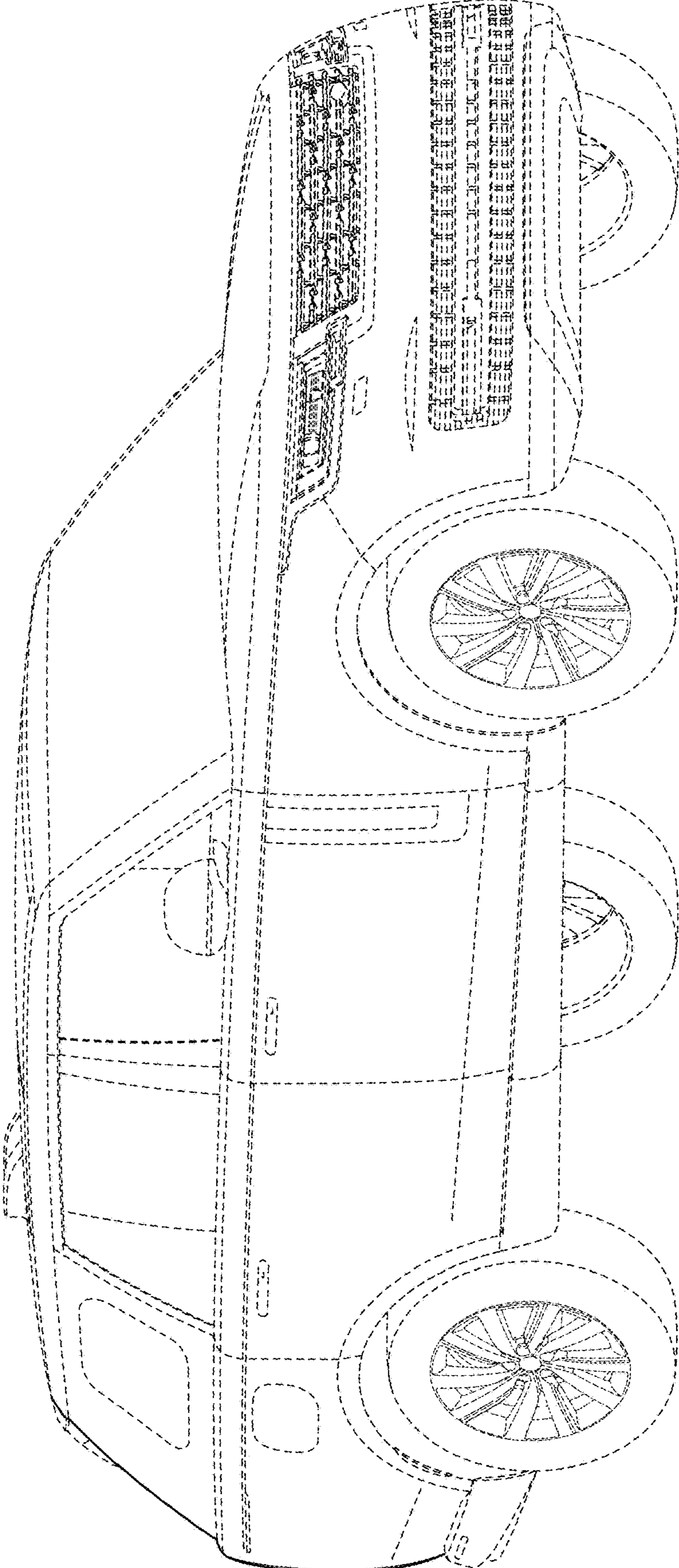


FIG. 2

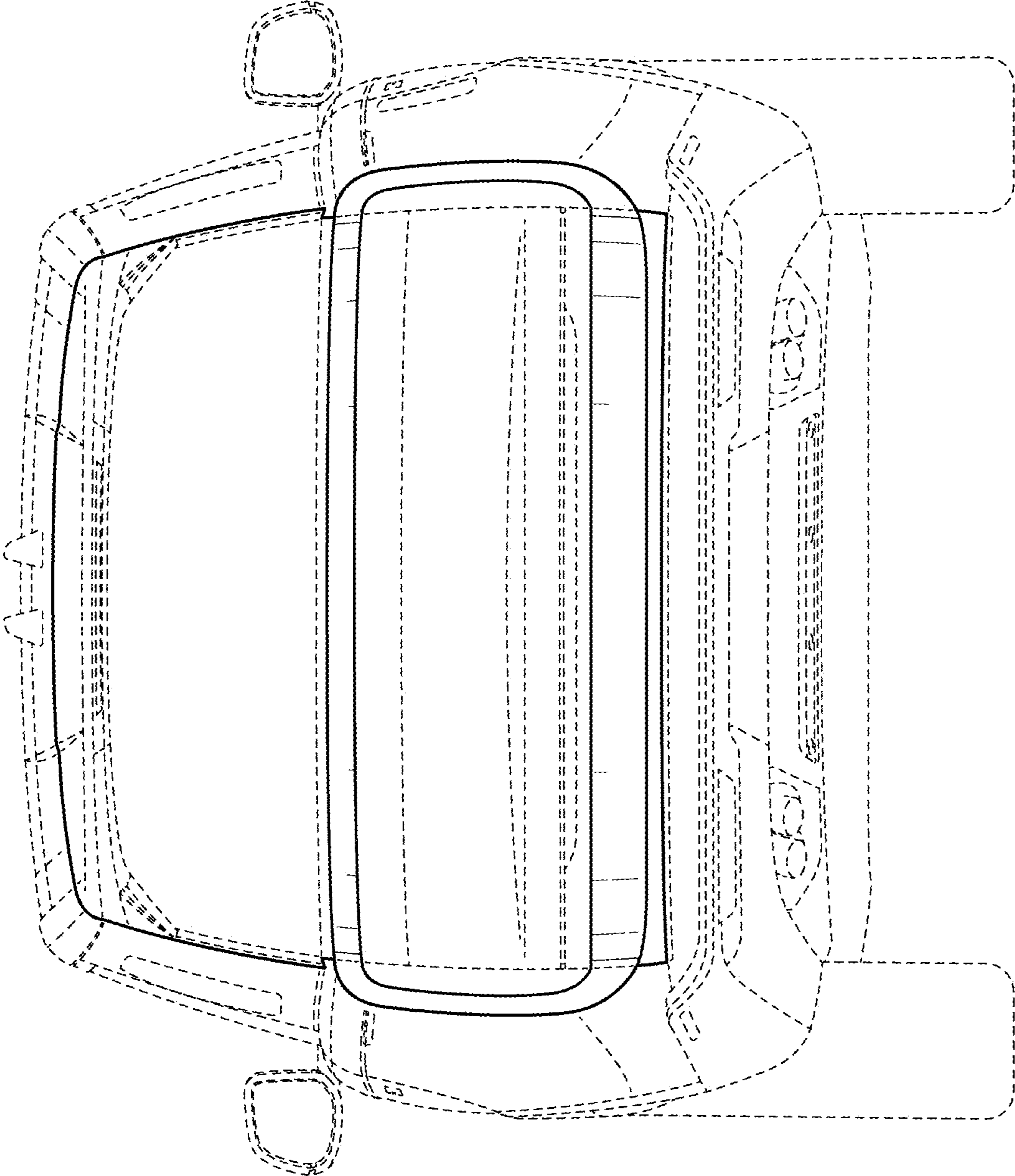


FIG. 3

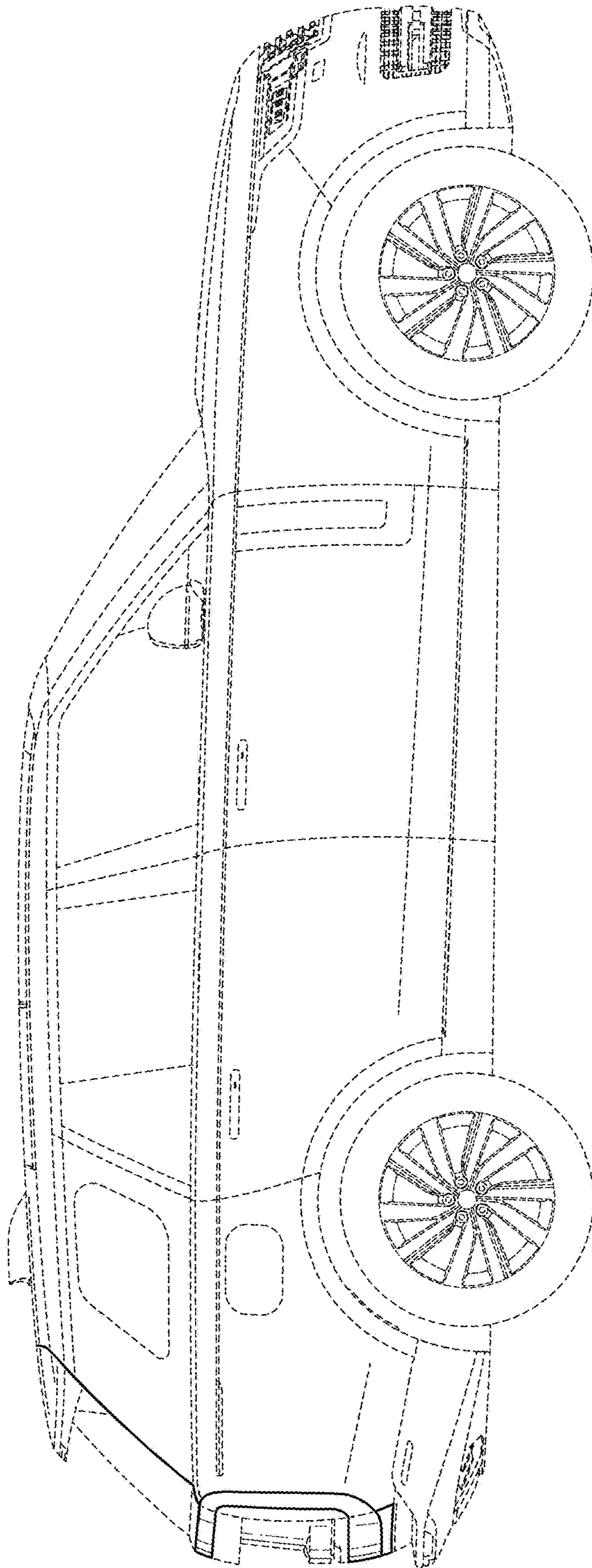


FIG. 4

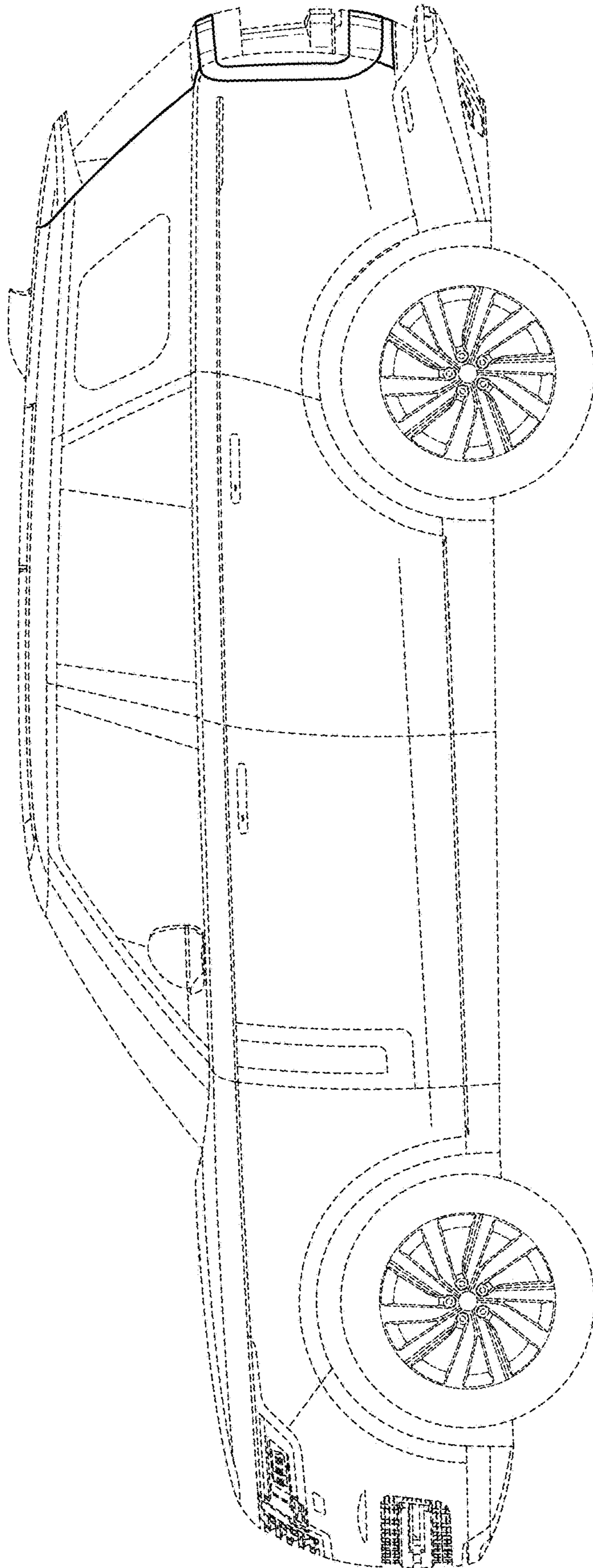


FIG. 5

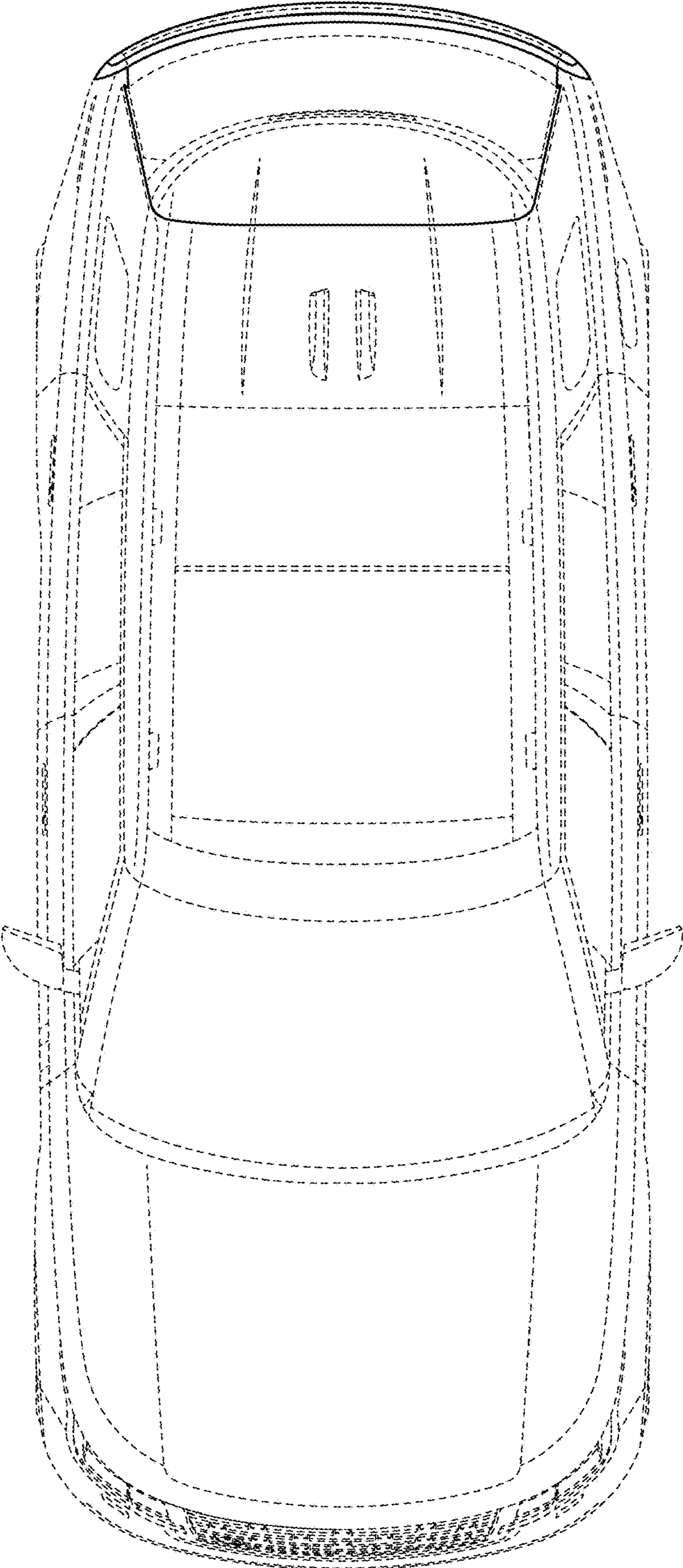


FIG. 6