



US00D979462S

(12) **United States Design Patent** (10) **Patent No.:** **US D979,462 S**
Pennington et al. (45) **Date of Patent:** **** Feb. 28, 2023**

(54) **MODULAR STROLLER**

FOREIGN PATENT DOCUMENTS

(71) Applicant: **BABY JOGGER, LLC**, Richmond, VA (US)

GB 6179721 * 12/2021

(72) Inventors: **Adrienne Walters Pennington**, Portage, MI (US); **Jason Wade Cardani**, Kalamazoo, MI (US); **Corey R. Barnes**, Grand Rapids, MI (US); **Alfredo David Carreno**, Portage, MI (US); **Lea Marie Stewart**, Kalamazoo, MI (US); **Matthew K. Waldburger**, Granger, IN (US); **Sharon L. Griffiths**, Reading, PA (US)

OTHER PUBLICATIONS

Amazon.com, *Infans 2 in 1 baby stroller*, published Sep. 15, 2020 [retrieved Nov. 3, 2022]. Retrieved from the internet<<https://www.amazon.com/dp/B07SKSWGLL>> (Year: 2020).*
Wayback Machine, *baby jogger city minis/GT2 Pram*, published Nov. 29, 2021 [retrieved Nov. 3, 2022]. Retrieved from the internet<<https://babyjogger.elevenbaby.it/en/city-mini2gt2-pram>> (Year: 2021).*
UPPAbaby, <https://uppababy.com/cruz/> (16 pp.).
Nuna, *triv+triv bassinet*, <https://nunababy.com/usa/> (7 pp.).
Urban design and intelligent functions on four easy-steer wheels for style-conscious and active parents, <https://www.abc-design.de/en/strollers/salsa-4> (9 pp.).

(73) Assignee: **BABY JOGGER, LLC**, Atlanta, GA (US)

(**) Term: **15 Years**

* cited by examiner

(21) Appl. No.: **29/787,025**

Primary Examiner — Joseph Kukella

(22) Filed: **Jun. 3, 2021**

Assistant Examiner — Lavon M. Amerson

(51) **LOC (14) Cl.** **12-12**

(74) *Attorney, Agent, or Firm* — Eversheds Sutherland (US) LLP

(52) **U.S. Cl.**

USPC **D12/129**

(58) **Field of Classification Search**

USPC D12/128–133; D21/535; D6/333
CPC B62B 7/00–04; B62B 7/14; B62B 7/064; B60B 7/08; B60B 1/006

See application file for complete search history.

(57) **CLAIM**

The ornamental design for a modular stroller, as shown and described.

DESCRIPTION

FIG. 1 is side perspective view of a modular stroller; FIG. 2 is a front view thereof; FIG. 3 is a rear view thereof; FIG. 4 is a first side view thereof; FIG. 5 is a second side view thereof; FIG. 6 is a top view thereof; and, FIG. 7 is a bottom view thereof.

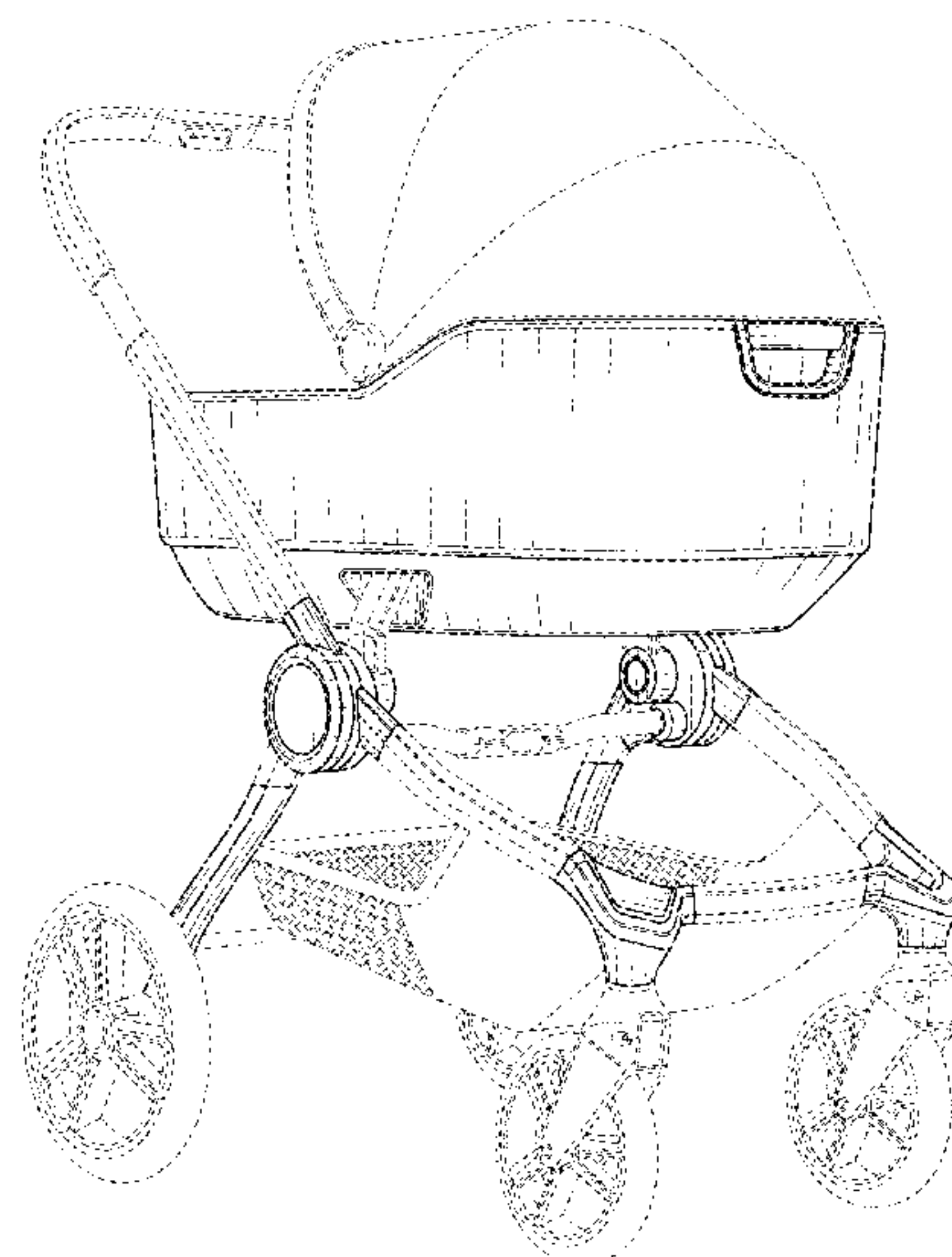
In the drawings, the broken lines depict environmental subject matter only and form no part of the claimed design.

1 Claim, 7 Drawing Sheets

(56) **References Cited**

U.S. PATENT DOCUMENTS

3,741,579	A *	6/1973	Kirsch	B62B 9/18 280/47.38
D404,344	S *	1/1999	Espenshade	D12/129
D432,464	S *	10/2000	Gehr, Jr.	D12/129
D815,568	S *	4/2018	Oakes	D12/129
D858,364	S *	9/2019	Barenbrug	D12/129
D869,343	S *	12/2019	Taylor	D12/129
D951,822	S *	5/2022	Holper	B62B 9/18 D12/129



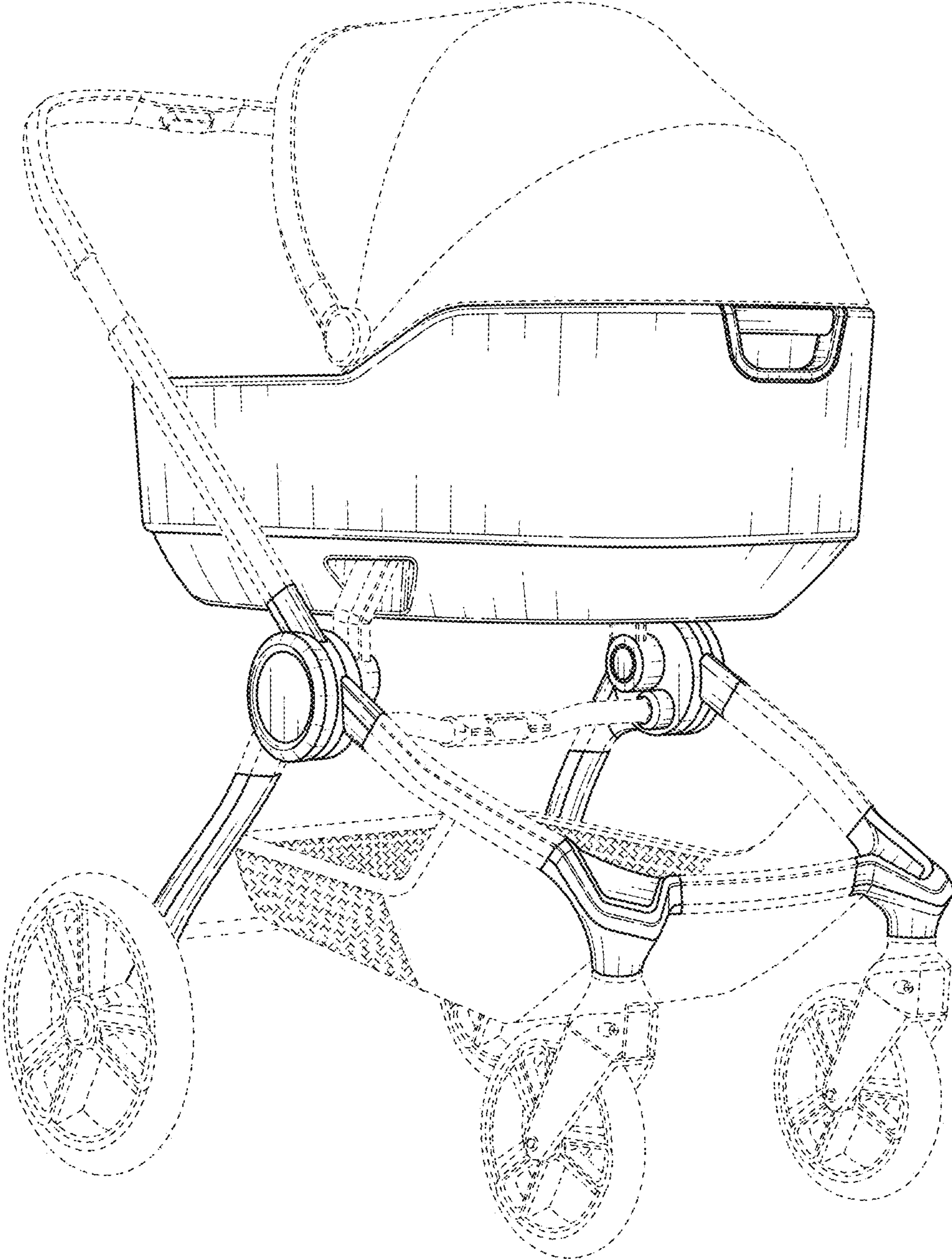


FIG. 1

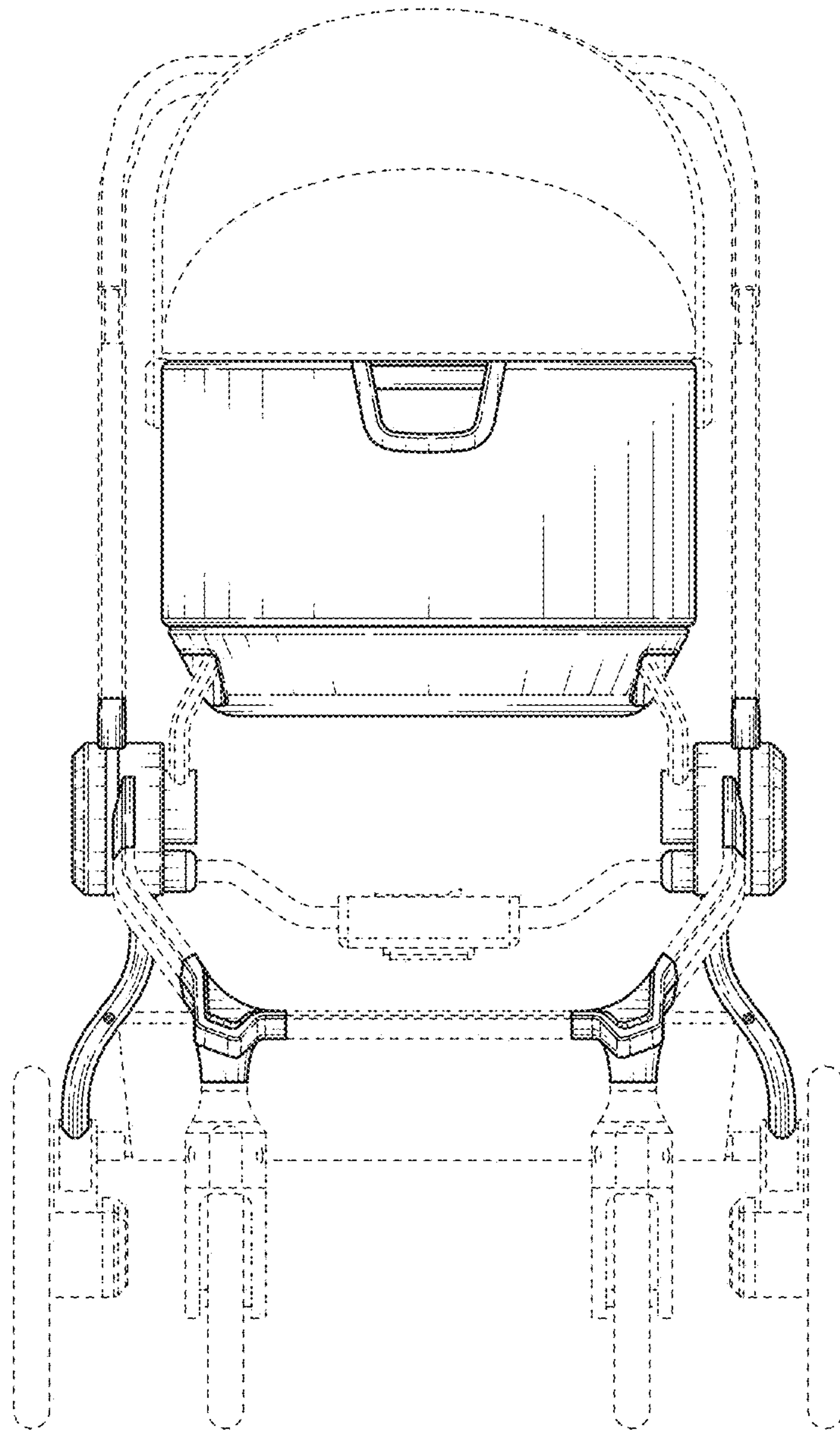


FIG. 2

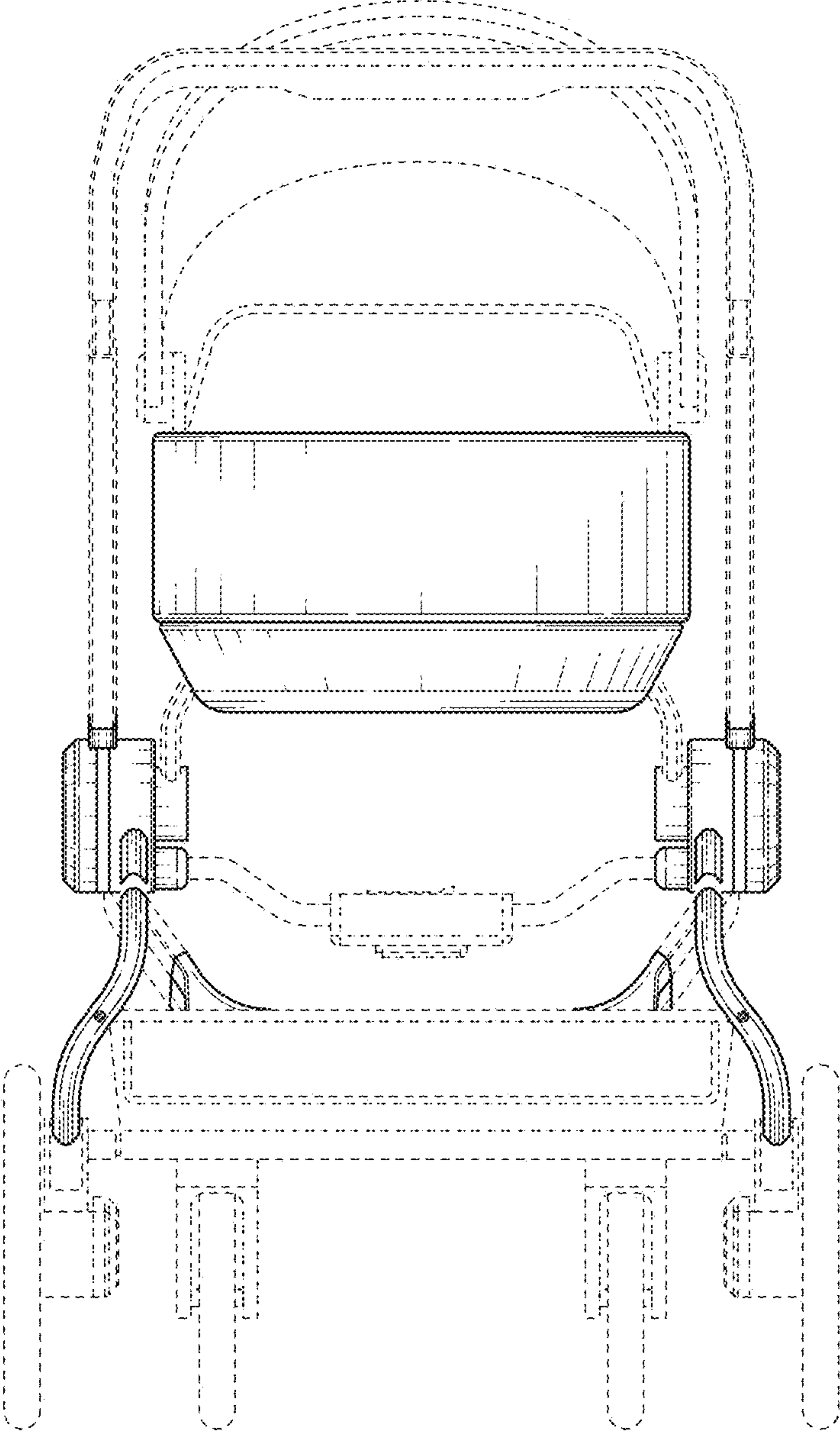


FIG. 3

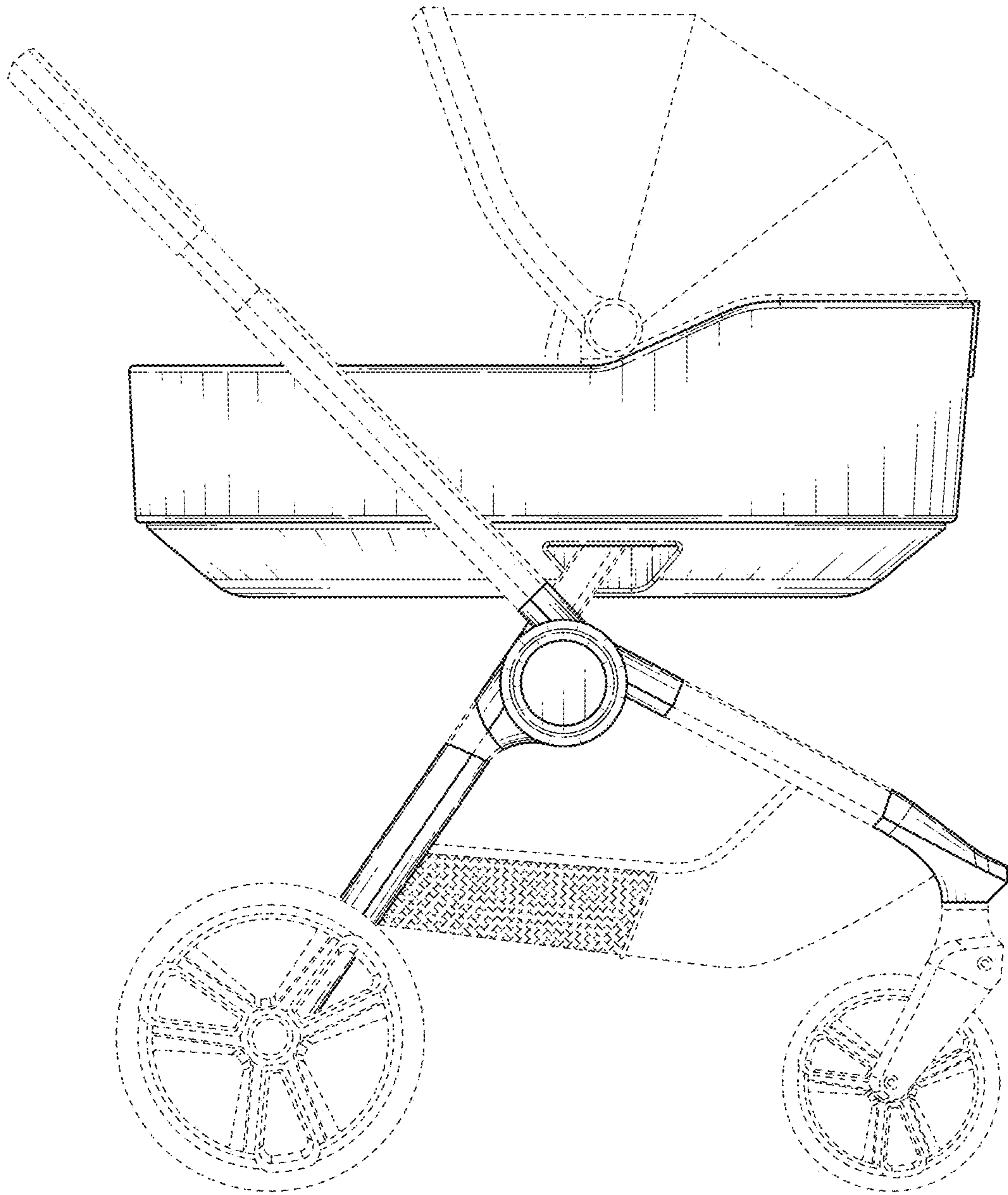


FIG. 4

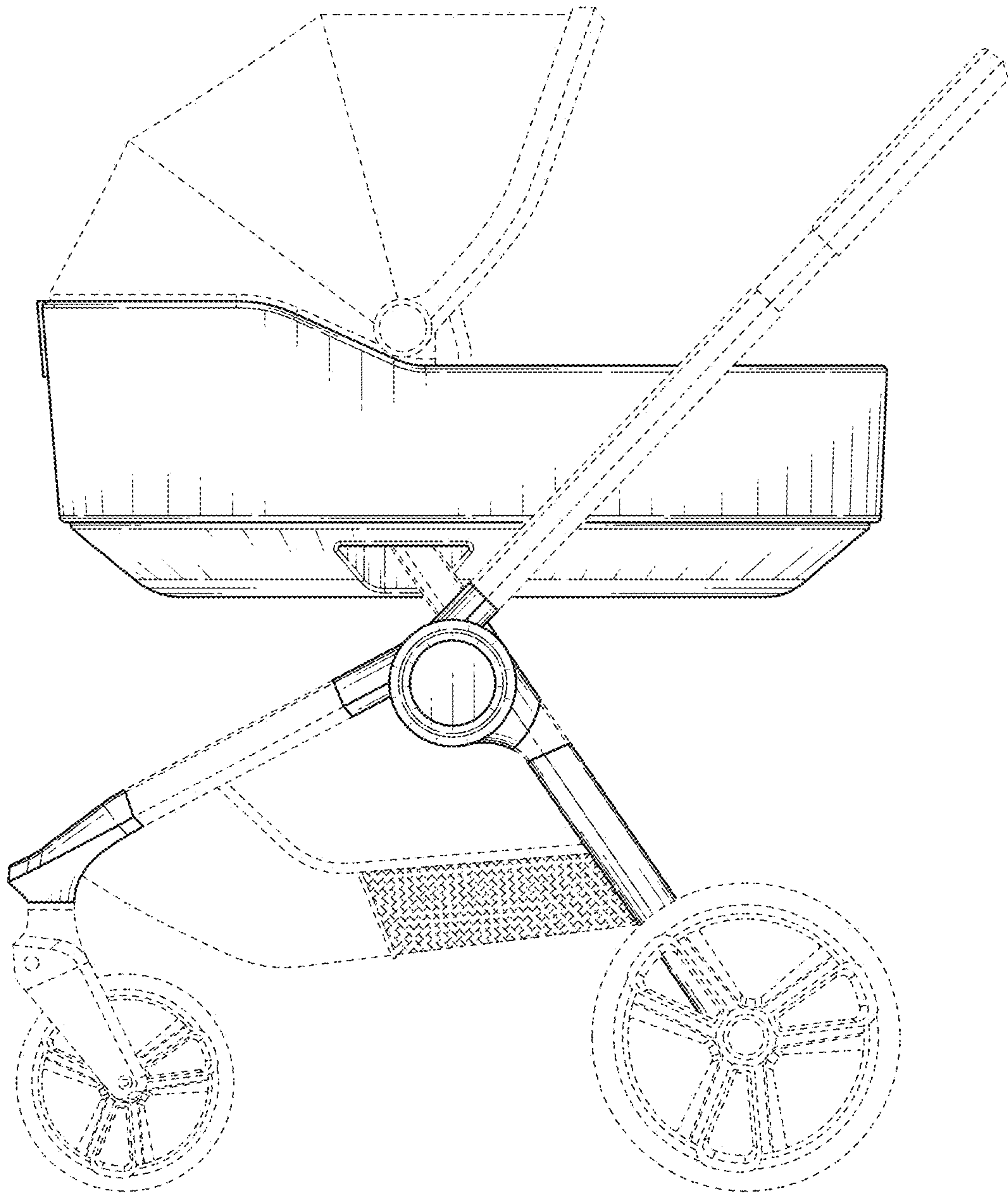


FIG. 5

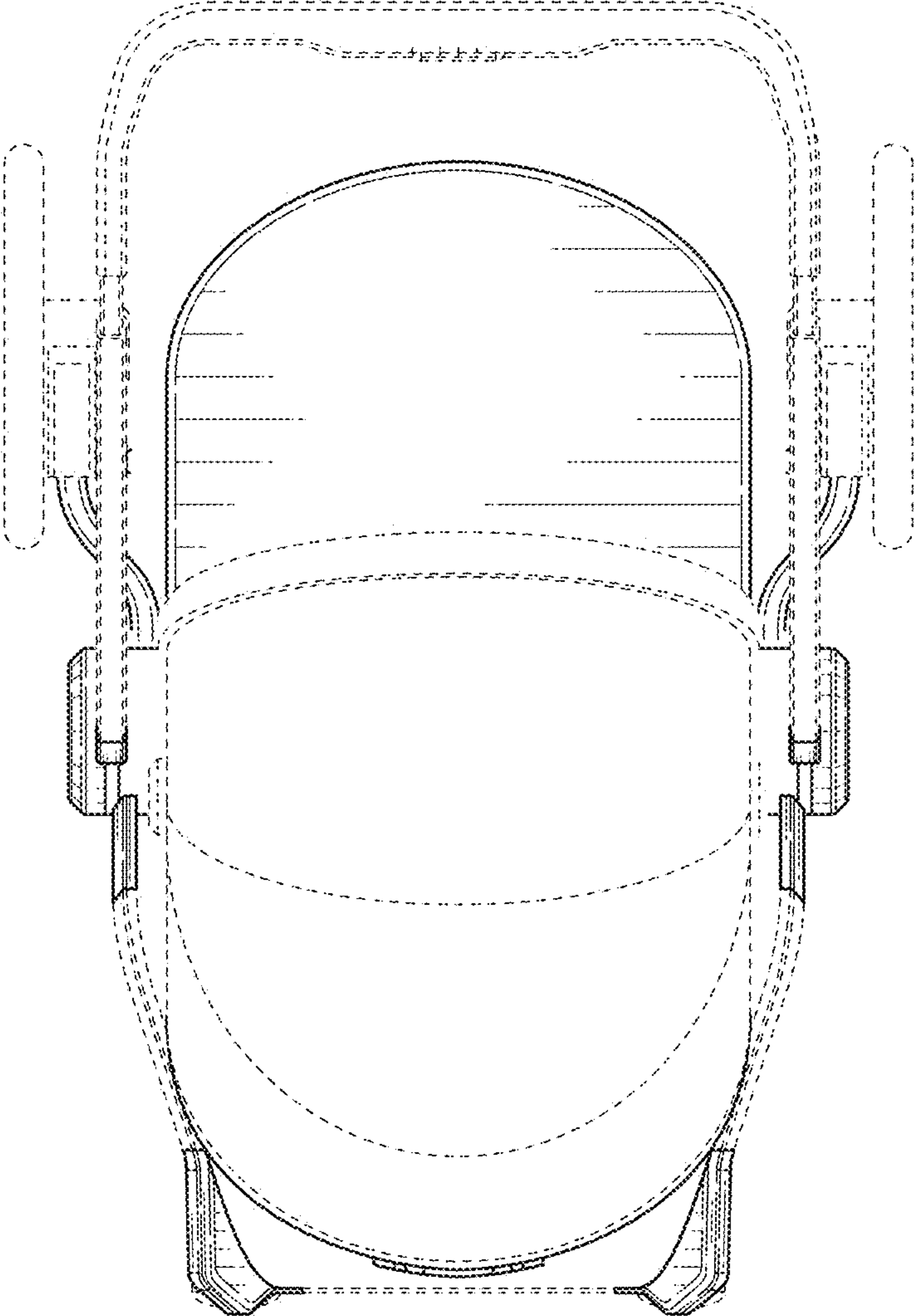


FIG. 6

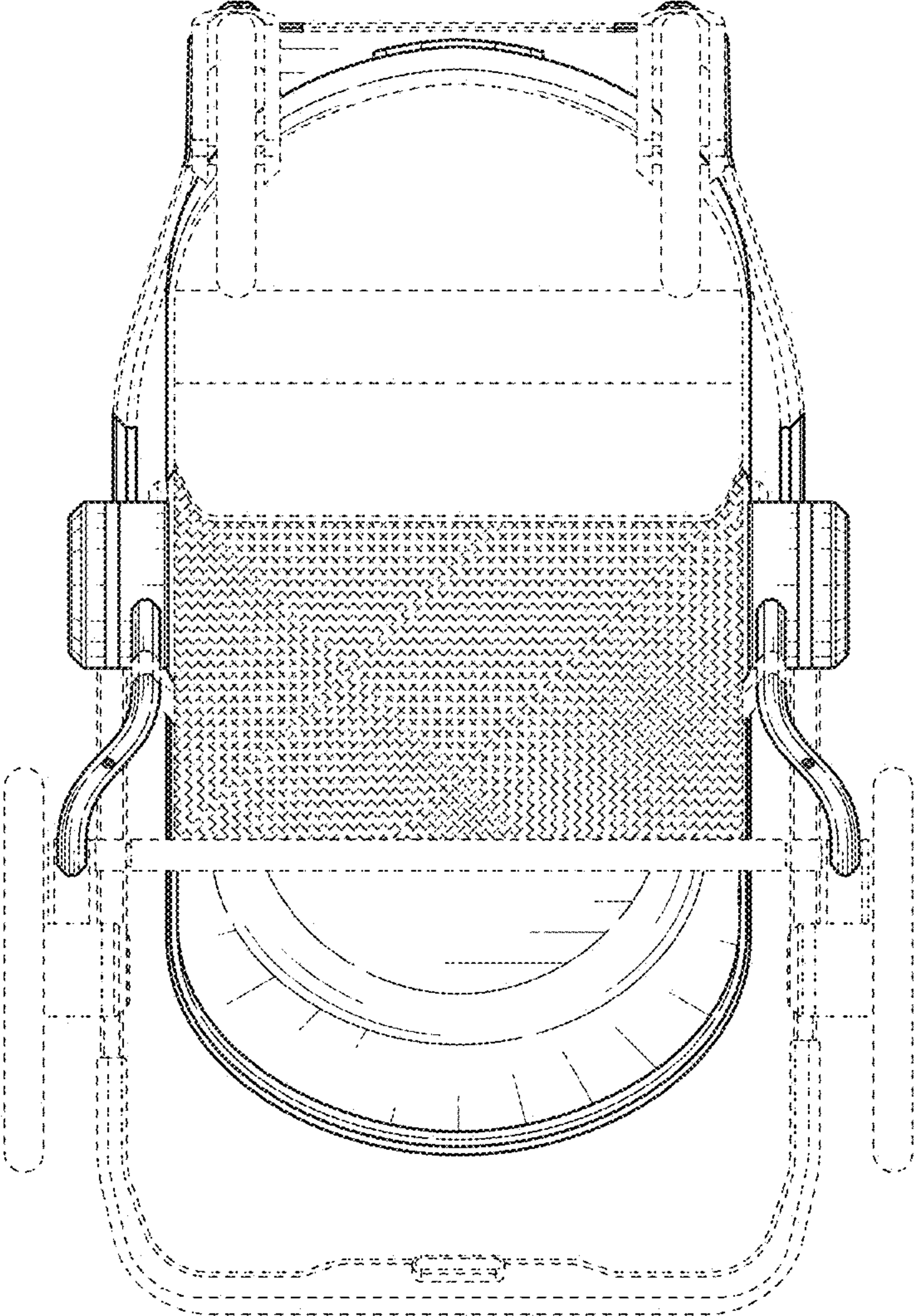


FIG. 7