



US00D979461S

(12) **United States Design Patent** (10) **Patent No.:** **US D979,461 S**  
**Grcic et al.** (45) **Date of Patent:** **\*\* Feb. 28, 2023**

(54) **ELECTRIC TRIKE VEHICLE**

FOREIGN PATENT DOCUMENTS

(71) Applicant: **Polestar Performance AB**, Gothenburg (SE)

EP 2019772 B1 8/2013  
IN 1872/DEL/2011 8/2011

(Continued)

(72) Inventors: **Konstantin Grcic**, Berlin (DE); **Chris Staunton**, Maidenhead (GB); **Stefan Ytterborn**, Stockholm (SE)

OTHER PUBLICATIONS

(73) Assignee: **Polestar Performance AB**, Gothenburg (SE)

PCT/US2022/071062, Search Report and Written Opinion dated May 11, 2022, 6 pages.

(Continued)

(\*\*) Term: **15 Years**

*Primary Examiner* — Darlington Ly

(21) Appl. No.: **29/773,628**

(74) *Attorney, Agent, or Firm* — Patterson Thunte, P.A.

(22) Filed: **Mar. 10, 2021**

(57) **CLAIM**

(51) **LOC (14) Cl.** ..... **12-11**

We claim the ornamental design for an electric trike vehicle, as shown and described.

(52) **U.S. Cl.**

USPC ..... **D12/112**

**DESCRIPTION**

(58) **Field of Classification Search**

USPC ..... D12/101, 102, 105, 111, 112, 117  
CPC . B62K 9/00; B62K 9/02; B62K 27/12; B62K 27/16; B62K 27/003

See application file for complete search history.

FIG. 1 is a front perspective view of an electric trike vehicle showing the claimed design.

FIG. 2 is a rear perspective view of the electric trike vehicle depicted in FIG. 1.

FIG. 3 is a left side elevational view of the electric trike vehicle depicted in FIG. 1.

FIG. 4 is a right side elevational view of the electric trike vehicle depicted in FIG. 1.

FIG. 5 is a top plan view of the electric trike vehicle depicted in FIG. 1.

FIG. 6 is a bottom plan view of the electric trike vehicle depicted in FIG. 1.

FIG. 7 is a front elevational view of the electric trike vehicle depicted FIG. 1; and,

FIG. 8 is a rear elevational view of the electric trike vehicle depicted in FIG. 1.

The broken lines in the drawings illustrate portions of the electric trike vehicle that form no part of the claimed design.

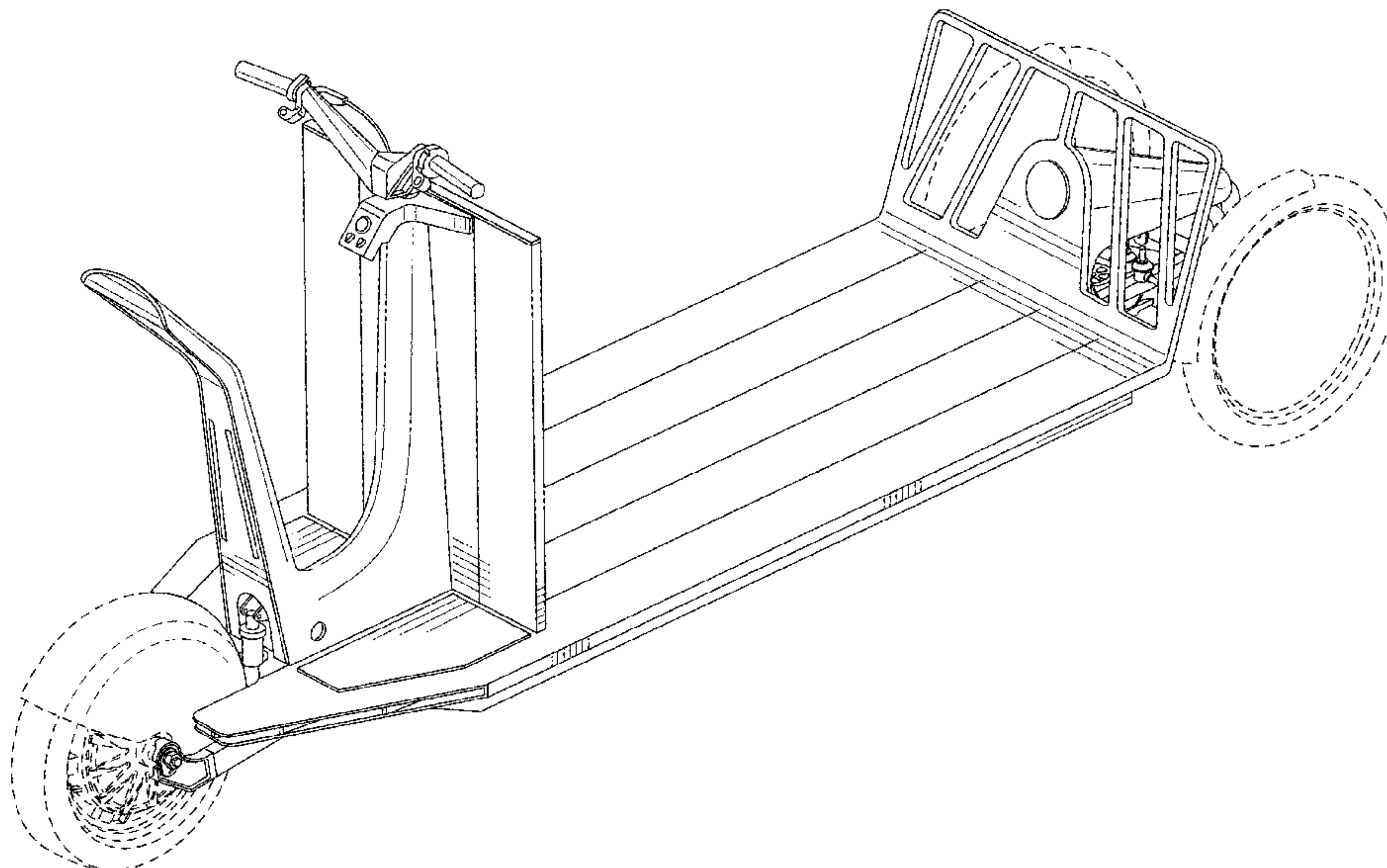
(56) **References Cited**

U.S. PATENT DOCUMENTS

3,964,563	A	6/1976	Allen	
D280,089	S *	8/1985	Blower	D12/128
D427,945	S *	7/2000	Kirkpatrick	D12/112
D428,364	S *	7/2000	Kirkpatrick	D12/112
D498,439	S *	11/2004	Kirkpatrick	D12/112
D507,206	S *	7/2005	Wang	D12/1
D614,998	S *	5/2010	Fujita	D12/1
D619,045	S *	7/2010	Fujita	D12/1
D626,031	S *	10/2010	Doran	D12/1
D626,884	S *	11/2010	Fujita	D12/1
8,141,669	B1 *	3/2012	Laymaster	B60K 7/0007 180/65.6
D699,626	S *	2/2014	Nam	D12/1

(Continued)

**1 Claim, 7 Drawing Sheets**



(56)

References Cited

U.S. PATENT DOCUMENTS

D735,608	S *	8/2015	Cao	.....	D12/1
D740,173	S *	10/2015	Treadway	.....	D12/1
D766,131	S *	9/2016	Harding	.....	D12/85
D788,639	S *	6/2017	Constin	.....	D12/1
D813,103	S *	3/2018	Li	.....	D12/112
D845,177	S *	4/2019	Abramov	.....	D12/107
D876,286	S *	2/2020	Nishi	.....	D12/112
2009/0237032	A1 *	9/2009	Nam	.....	H02J 7/0013 320/155
2010/0065361	A1 *	3/2010	Nam	.....	B60W 30/18145 340/474
2013/0153322	A1 *	6/2013	Constin	.....	B62K 3/002 280/651
2013/0192908	A1 *	8/2013	Schlagheck	.....	B62K 3/002 180/65.1
2020/0262263	A1	8/2020	Doerksen et al.		
2021/0031860	A1	2/2021	Gomez Marquez		

FOREIGN PATENT DOCUMENTS

WO	WO 2009/059099	A2	5/2009
WO	WO 2022/192892	A1	9/2022

OTHER PUBLICATIONS

Website, Pet 500W Electric Cargo Truck ZD Tricycle Scooter, <http://web.archive.org/web/20200925011608/https://www.upzy.com/products/pet-pedal-n-go-500w-electric-cargo-truck-tricycle>, accessed 2021, 3 pages.

Website, Urban Arrow Family Cargo Line 2021, <https://www.emotion-ebikes.de/produkt/urban-arrow-family-cargo-line-2021>, accessed 2021, 5 pages.

Website, Amsterdam Bicycle Company, [http://webcache.googleusercontent.com/search?q=cache:https://www.amsterdam-](http://webcache.googleusercontent.com/search?q=cache:https://www.amsterdam-bicycle.com/shop/electric-cargo-bikes/vintage-full-size-e-cargo-trike-cruiser-wide/)

[bicycle.com/shop/electric-cargo-bikes/vintage-full-size-e-cargo-trike-cruiser-wide/](http://webcache.googleusercontent.com/search?q=cache:https://www.amsterdam-bicycle.com/shop/electric-cargo-bikes/vintage-full-size-e-cargo-trike-cruiser-wide/), accessed 2021, 2 pages.

Website, Ferla Cargo Bike—Inspire, <https://ferlafamilybikes.com/products/ferla-cargo-bike-inspire?variant=39884920258716>, accessed 2021, 2 pages.

Website, Bunch Family Cargo Bike, <http://webcache.googleusercontent.com/search?q=cache:https://bunchbike.com/products/the-original-2020?variant=31804586360883>, accessed 2021, 1 page.

Website, Old Fashion Warehouse Scooter, <http://web.archive.org/web/20210309185213/https://www.apluswhs.com/materials-handling-equipment/warehouse-scooter/industrial-scooter-with-brake>, accessed 2021, 1 page.

Website, Front-Loader Tricycle, [https://www.globalindustrial.com/p/outdoor-grounds-maintenance/bikes-racks-and-storage/industrial-bicycles-tricycles/front-loader-tricycle-500-capacity-w-platform-37-in-axle-yellow?infoParam.campaignId=T9F&gclid=Cj0KCQiA6t6ABhDMARIsAONIYwJXREXdp8vRAxkXTosy5CXpYMY2T0adHFcudFywzpOv16zmqRVNcaAg78EALw\\_wcB](https://www.globalindustrial.com/p/outdoor-grounds-maintenance/bikes-racks-and-storage/industrial-bicycles-tricycles/front-loader-tricycle-500-capacity-w-platform-37-in-axle-yellow?infoParam.campaignId=T9F&gclid=Cj0KCQiA6t6ABhDMARIsAONIYwJXREXdp8vRAxkXTosy5CXpYMY2T0adHFcudFywzpOv16zmqRVNcaAg78EALw_wcB), accessed 2021, 1 page.

Website, DIY Front Cargo Tricycle, <https://www.pinterest.com/pin/411727590910326069>, accessed 2021, 1 page.

Website, Ride Forklifts Pallet Truck, <https://www.pinterest.com/pin/411727590910326069>, accessed 2021, 3 pages.

Website, Pack Mule Stock Chasers, <https://packmule.com/electric-utility-vehicles/stock-chaser>, accessed 2021, 2 pages.

Website, Sway Motorsports Tilting Electric Trike, <http://webcache.googleusercontent.com/search?q=cache:http://www.swaymotorsports.com>, accessed 2021, 3 pages.

Website, iTank Electrifies the Tilting Three-Wheeler, <https://newatlas.com/doohan-ev3-itank-three-wheeler/44870>, accessed 2021, 7 pages.

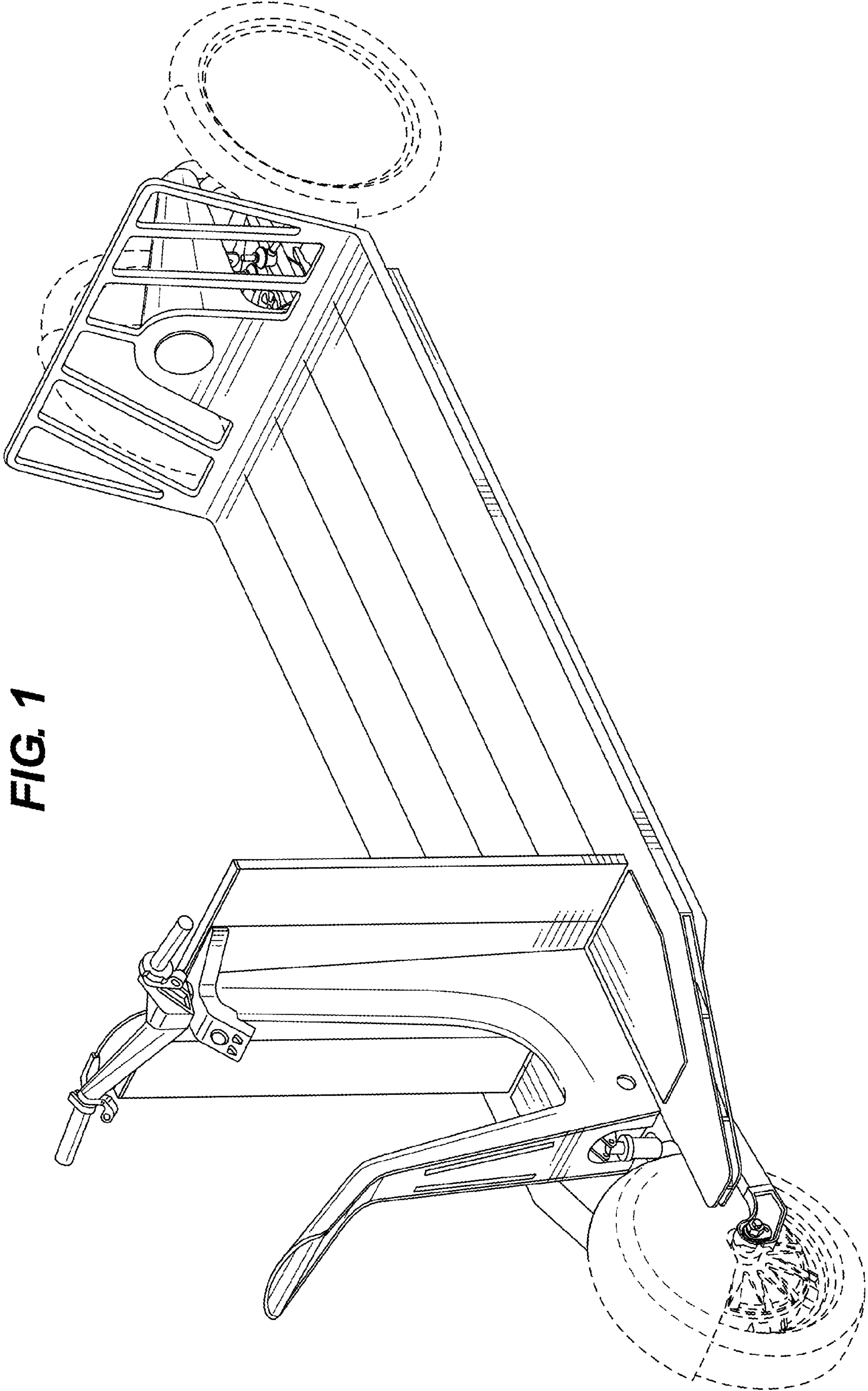
Friedrichshafen/Milan, “Safer in the Saddle: ZF Tilt Lock Added to Volume Production of Three-Wheelers,” Nov. 2019, 3 pages.

Website, TRIS Bike, <https://www.trisbike.com>, accessed 2021, 11 pages.

Application and File history for U.S. Appl. No. 29/773,624, filed Mar. 10, 2021. Inventors: Grcic et al.

\* cited by examiner





**FIG. 1**

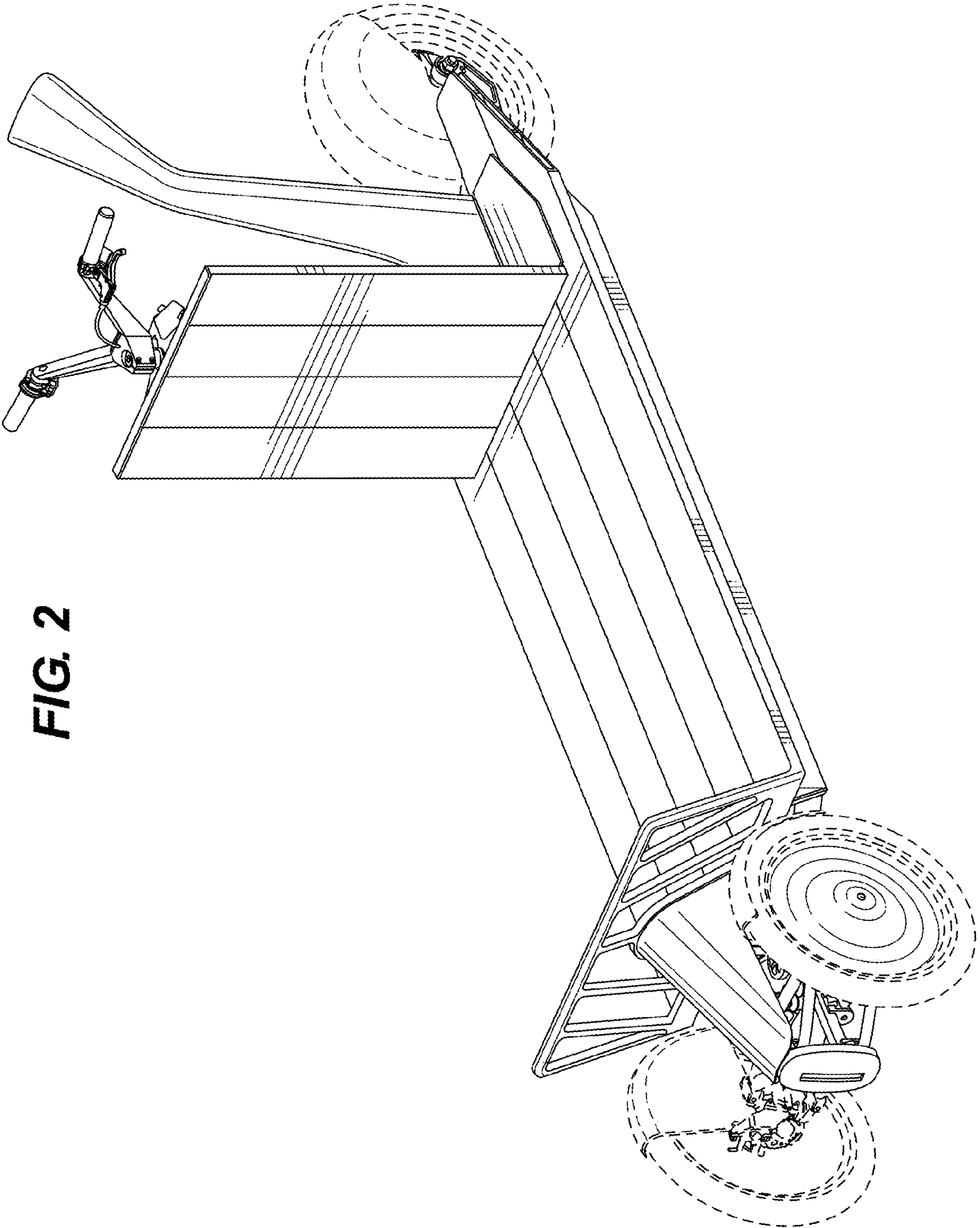
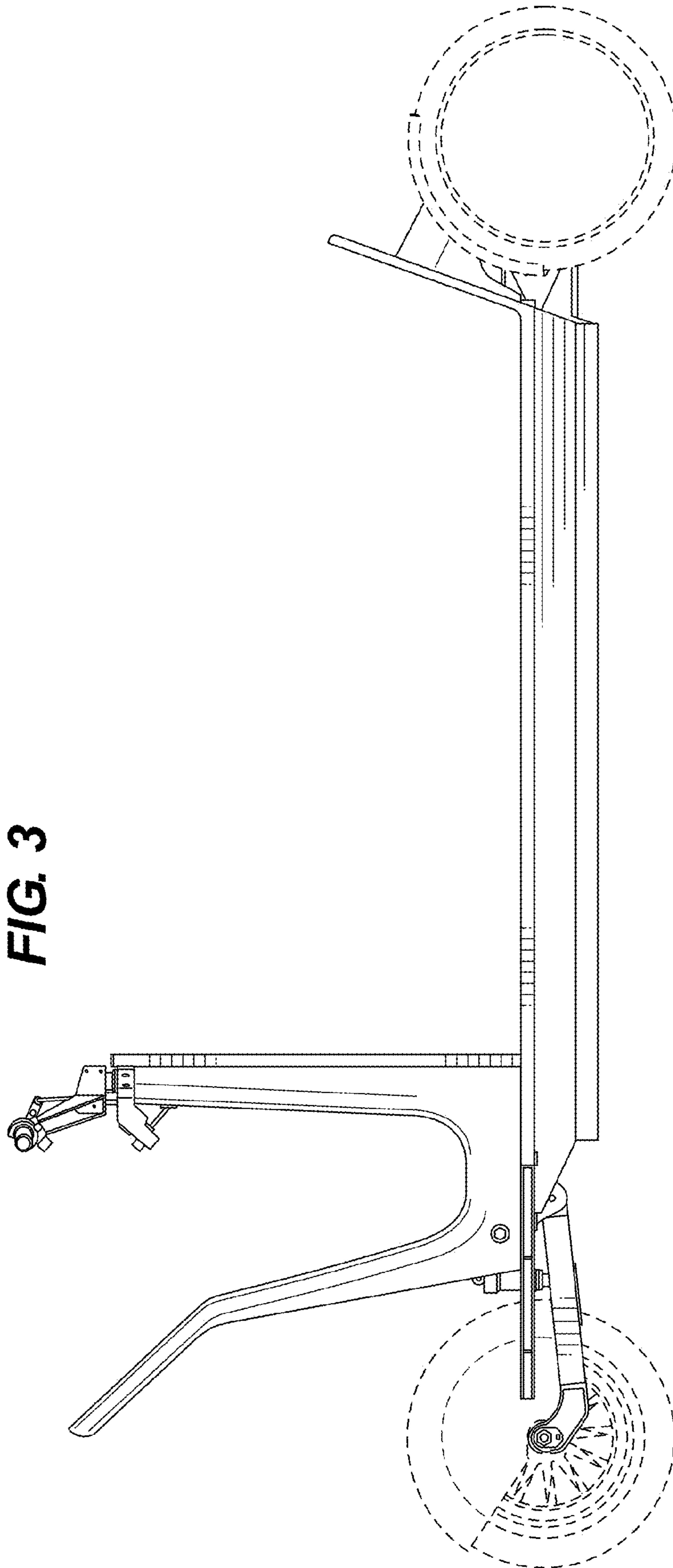
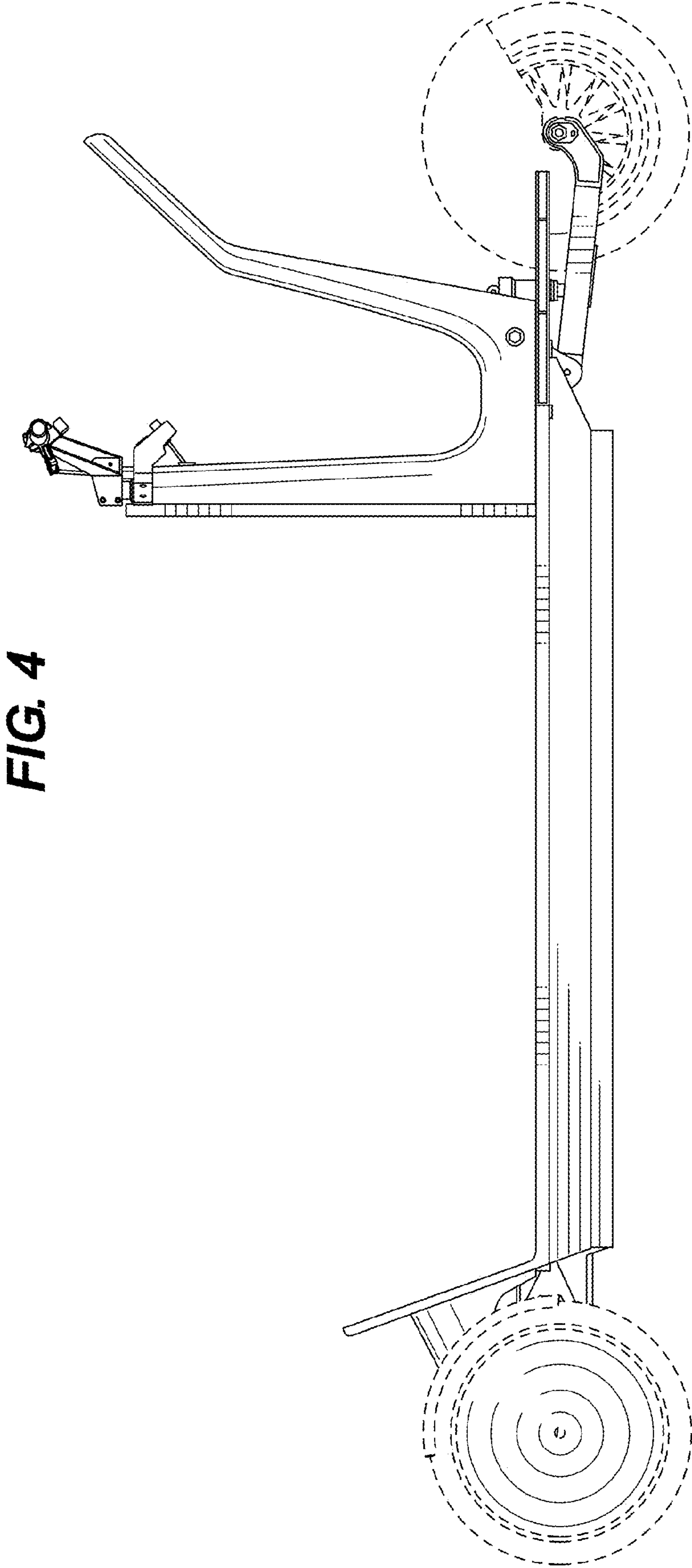


FIG. 2

**FIG. 3**

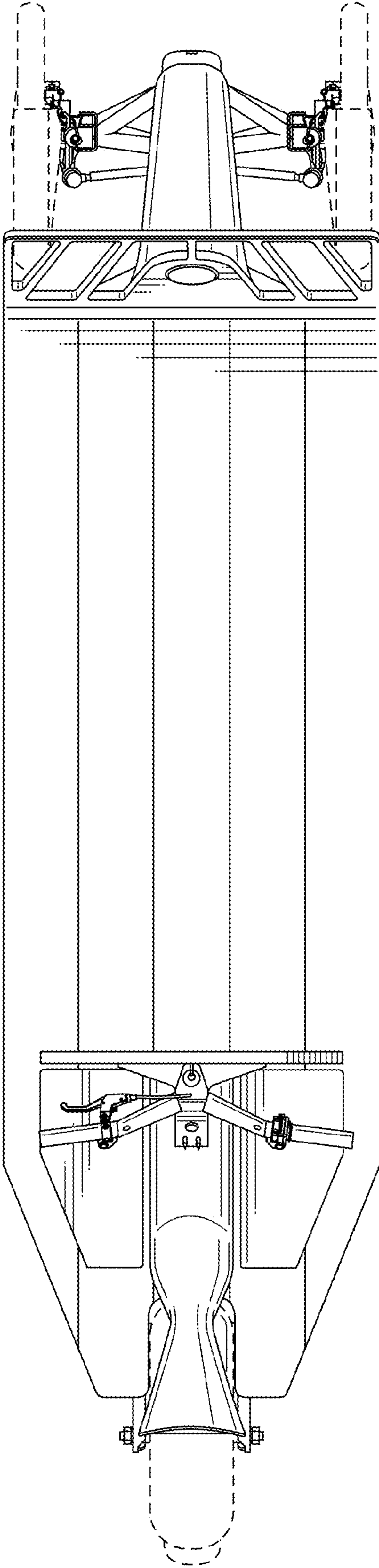




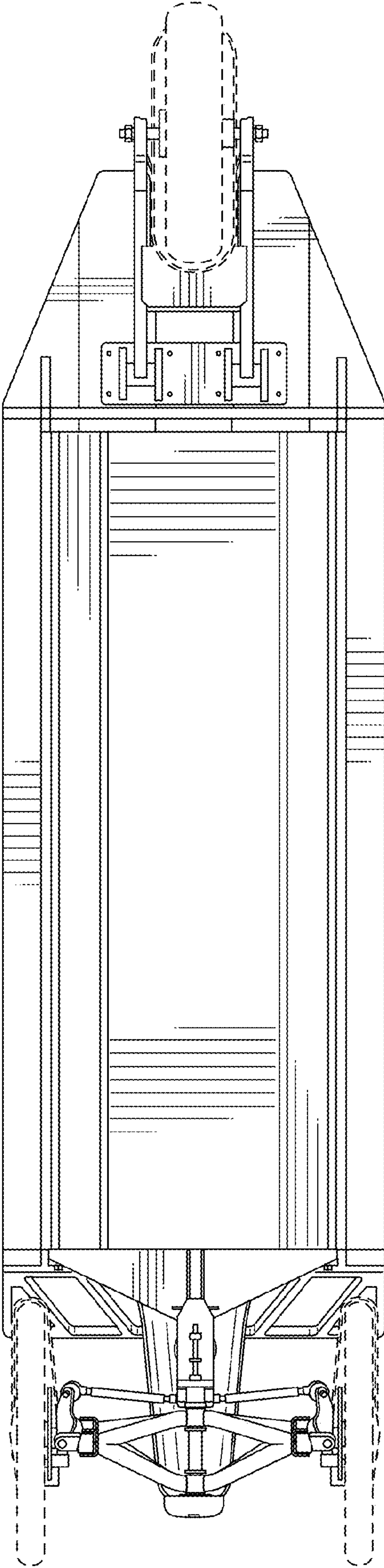
**FIG. 4**



**FIG. 5**

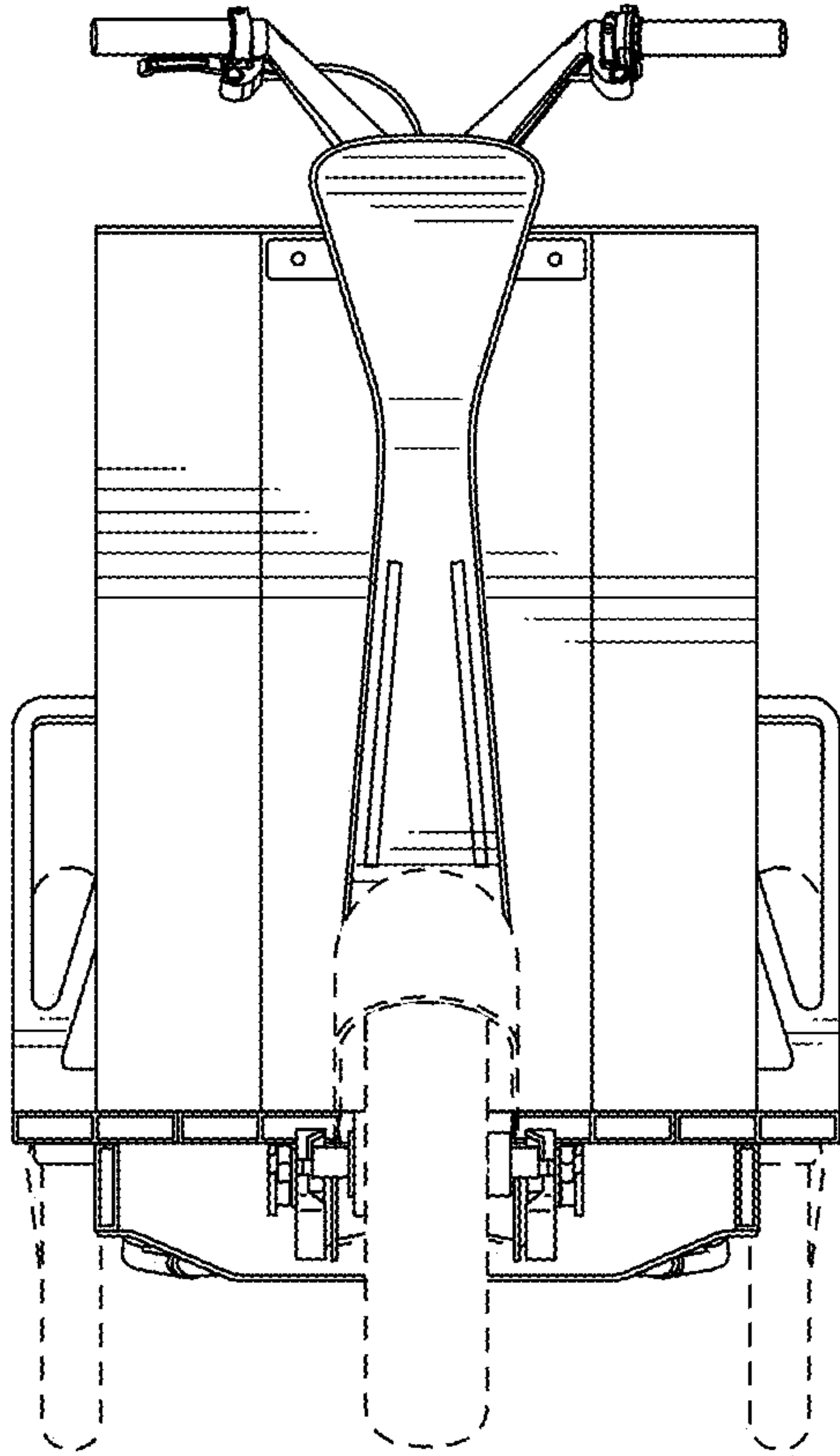


**FIG. 6**





**FIG. 7**



**FIG. 8**

