



US00D979458S

(12) **United States Design Patent** (10) **Patent No.:** **US D979,458 S**
Melton (45) **Date of Patent:** **** Feb. 28, 2023**

(54) **FRAME FOR ELECTRIC MOTORBIKE OR SCOOTER**
(71) Applicant: **Jacob Ray Melton**, Oklahoma City, OK (US)
(72) Inventor: **Jacob Ray Melton**, Oklahoma City, OK (US)
(**) Term: **15 Years**
(21) Appl. No.: **29/788,071**
(22) Filed: **Mar. 5, 2021**
(51) **LOC (14) Cl.** **12-11**
(52) **U.S. Cl.**
USPC **D12/111**; D12/110
(58) **Field of Classification Search**
USPC D12/110, 111, 117; D21/412, 414, 419, D21/423-428, 431-435
CPC ... B62K 3/00; B62K 3/02; B62K 3/06; B62K 19/18; B62K 25/30; B62K 25/26; B62K 25/286; B62K 2025/048
See application file for complete search history.

D803,103 S * 11/2017 Clyde D12/110
D815,991 S * 4/2018 Clyde D12/110
D858,363 S 9/2019 Hoshino
D885,986 S 6/2020 Chan
D906,184 S 12/2020 Liao
D910,496 S * 2/2021 Zhu D12/111
D915,244 S * 4/2021 Chen D12/111
D920,848 S * 6/2021 Kuehne D12/110
D921,539 S * 6/2021 Chambers D12/117
D924,735 S * 7/2021 Chambers D12/118
D934,737 S * 11/2021 Chambers D12/110
D939,387 S * 12/2021 Chambers D12/111
D940,599 S * 1/2022 Chambers D12/110
D940,600 S * 1/2022 Chambers D12/117
D949,062 S * 4/2022 Chambers D13/103
2010/0078249 A1 * 4/2010 Nishiura B62M 7/12
180/220

(Continued)

Primary Examiner — Darlington Ly
(74) *Attorney, Agent, or Firm* — Dunlap Bennett & Ludwig, PLLC

(57) **CLAIM**

The ornamental design for a frame for electric motorbike or scooter, as shown and described.

DESCRIPTION

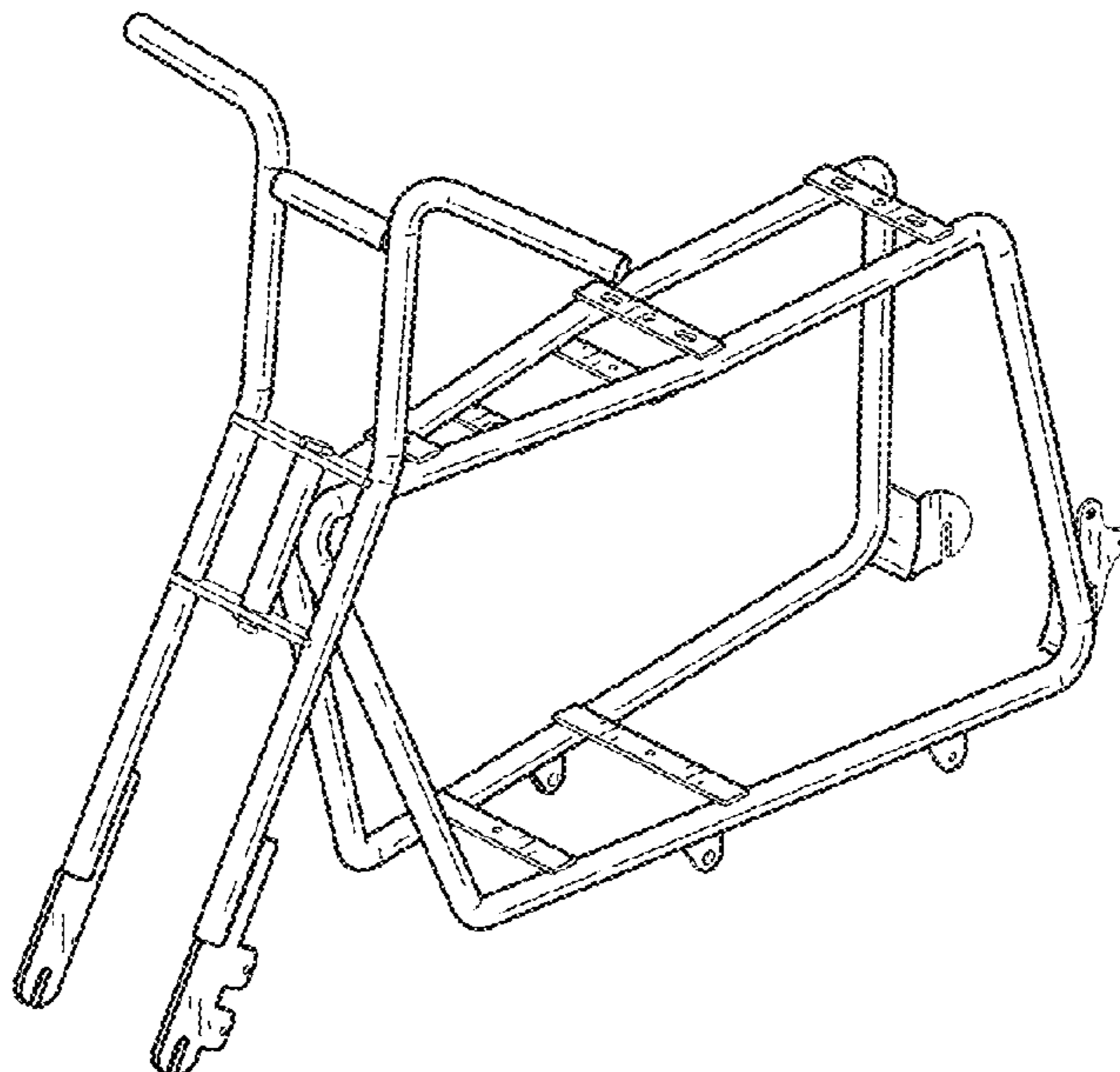
FIG. 1 is a front top right perspective view of the frame for electric motorbike or scooter, showing my new design;
FIG. 2 is a front elevation view thereof;
FIG. 3 is a rear elevation view thereof;
FIG. 4 is a left side elevation view thereof;
FIG. 5 is a right side elevation view thereof;
FIG. 6 is a top plan view thereof;
FIG. 7 is a bottom plan view thereof; and,
FIG. 8 is a front top right perspective view thereof, shown in use as part of a motorbike.
The broken lines shown in FIG. 8 depict environment that forms no part of the claimed design.

1 Claim, 5 Drawing Sheets

(56) **References Cited**

U.S. PATENT DOCUMENTS

D432,952 S * 10/2000 Scruggs D12/110
D446,476 S 8/2001 Wallace et al.
D453,489 S 2/2002 Wallace et al.
D481,422 S 10/2003 Chen
D509,188 S 9/2005 Mayer et al.
D560,564 S 1/2008 Cheng
D575,681 S 8/2008 Argote Vivar
D643,783 S * 8/2011 Thackery D12/110
D645,791 S * 9/2011 Lee D12/110
D662,011 S 6/2012 DAluisio et al.
D685,683 S 7/2013 Shaw et al.
D720,260 S 12/2014 Yoshida
D722,285 S 2/2015 Silva
D774,970 S 12/2016 DAluisio et al.



(56)

References Cited

U.S. PATENT DOCUMENTS

2011/0139531 A1* 6/2011 Kanno B62K 25/283
180/220
2013/0270022 A1* 10/2013 Matsuda B62K 11/04
180/220
2014/0305729 A1* 10/2014 Testoni B62J 43/16
180/220
2016/0318577 A1* 11/2016 Hayslett F16H 63/50

* cited by examiner

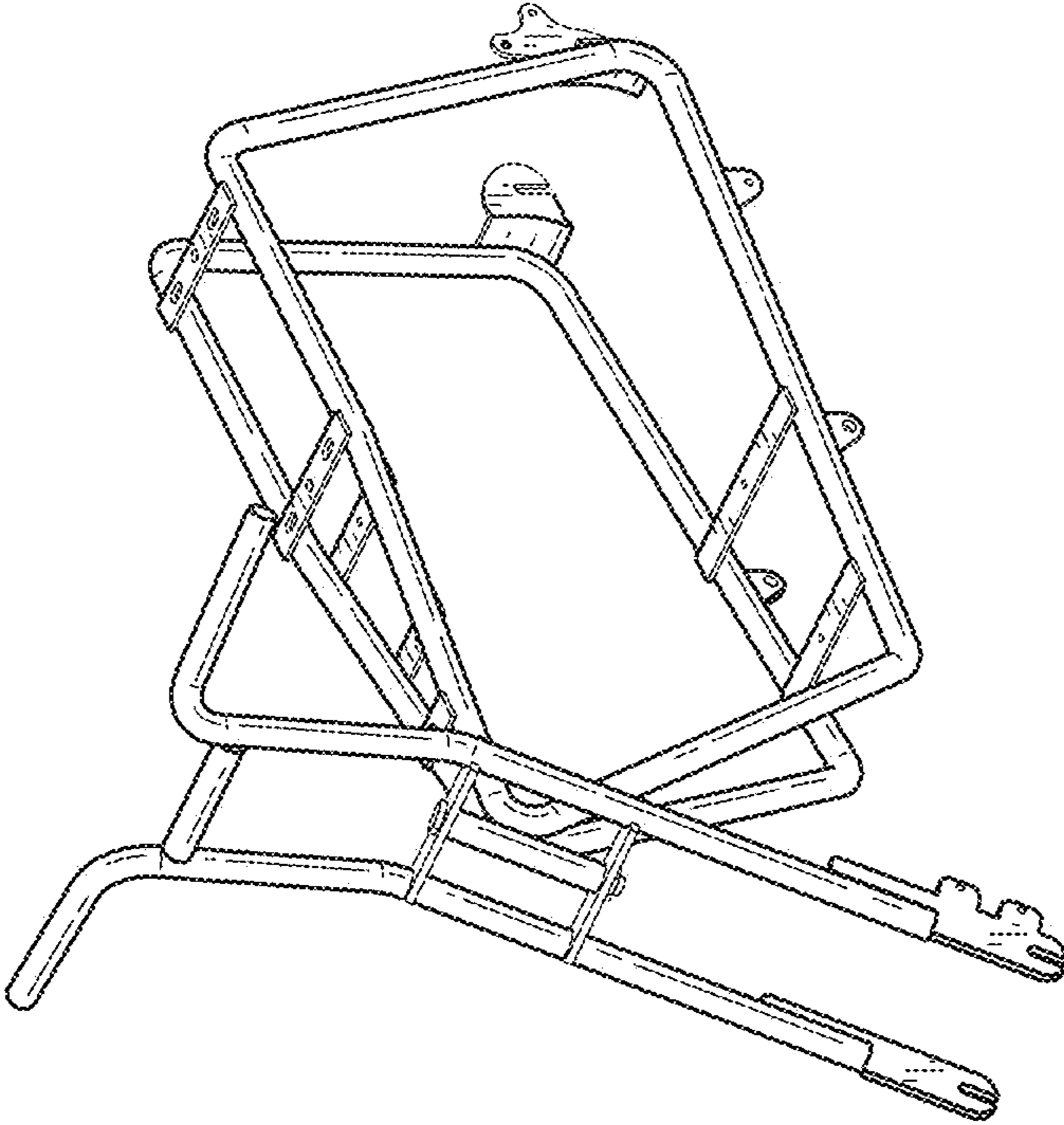


FIG. 1

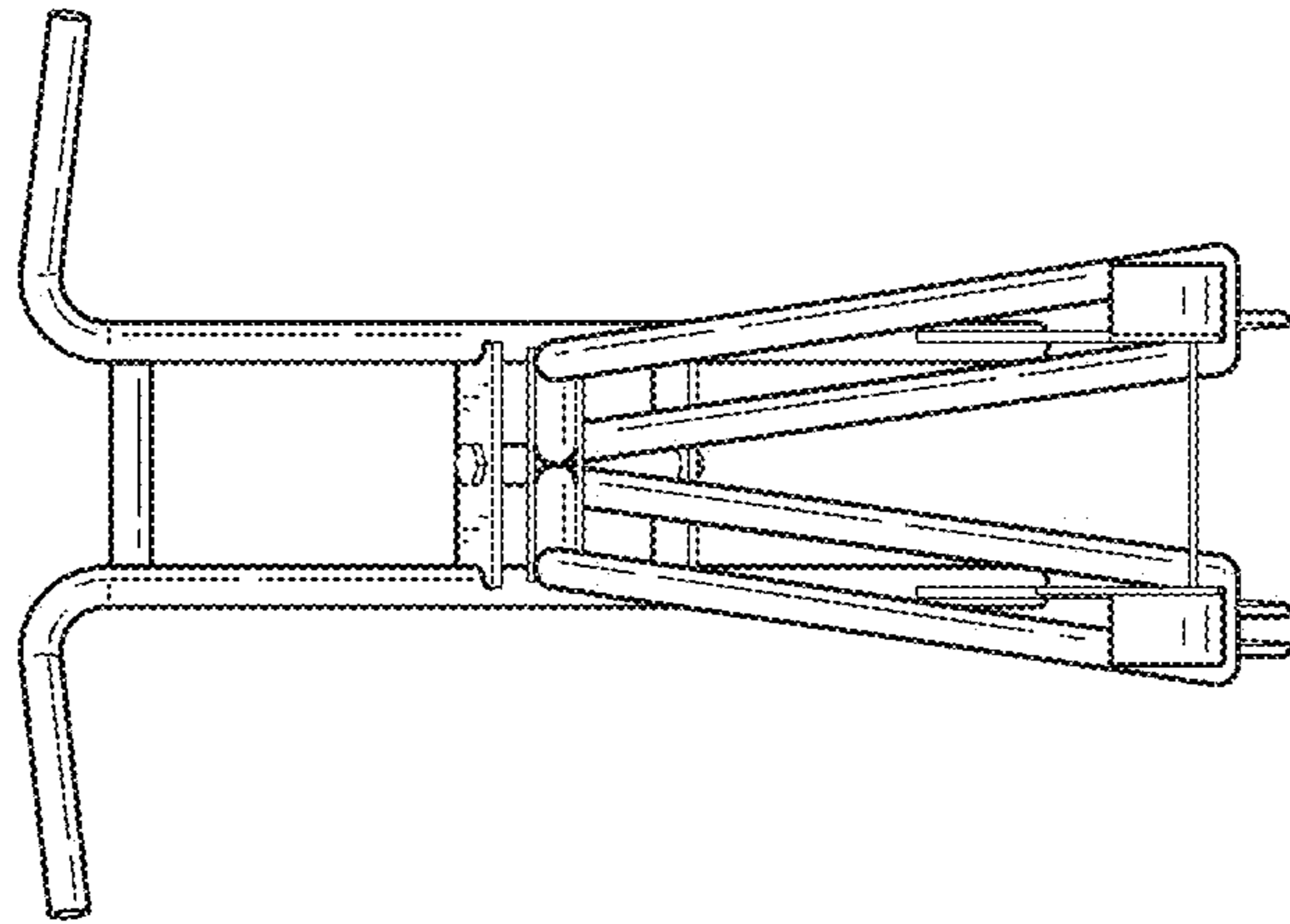


FIG. 3

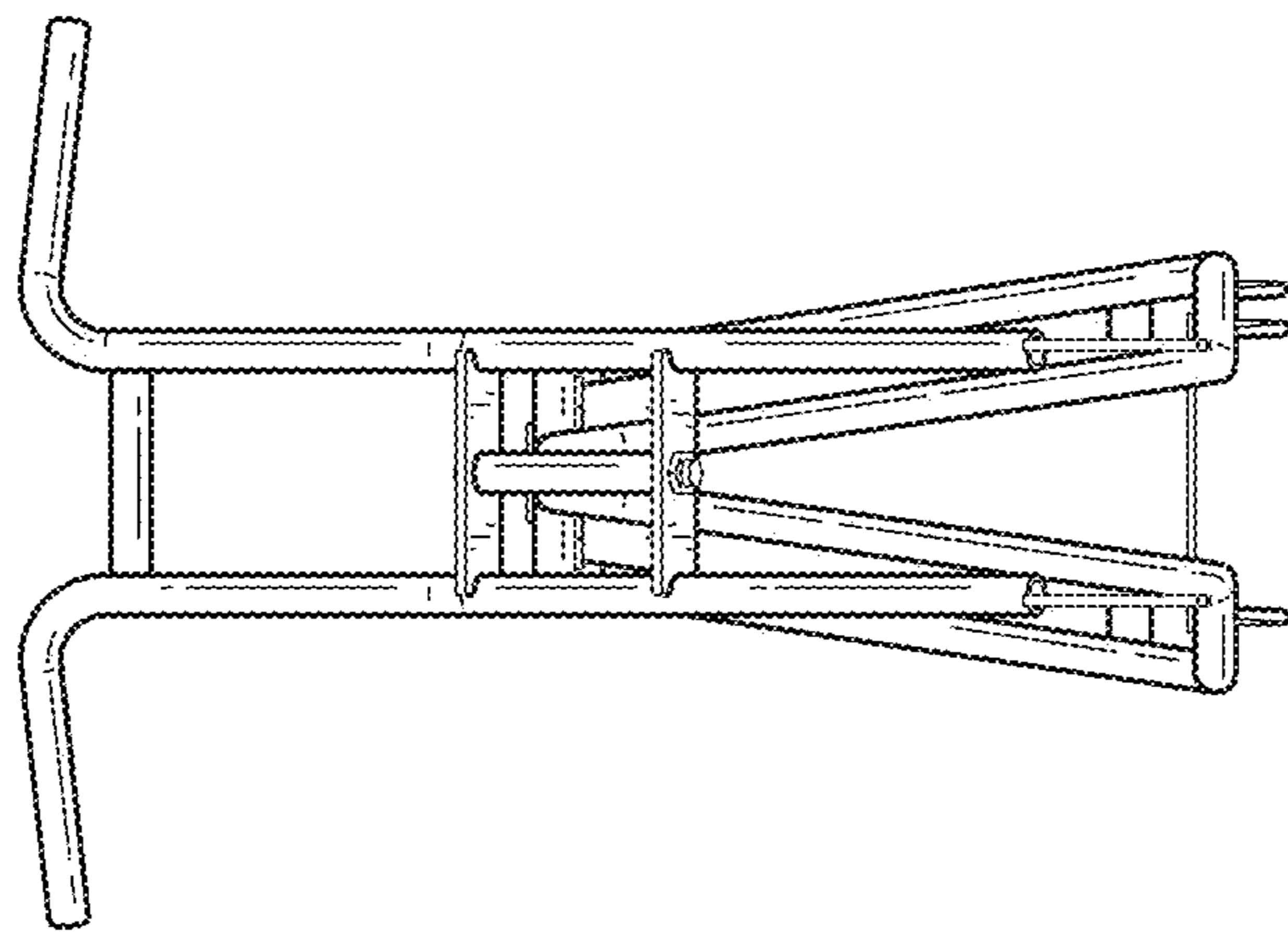


FIG. 2

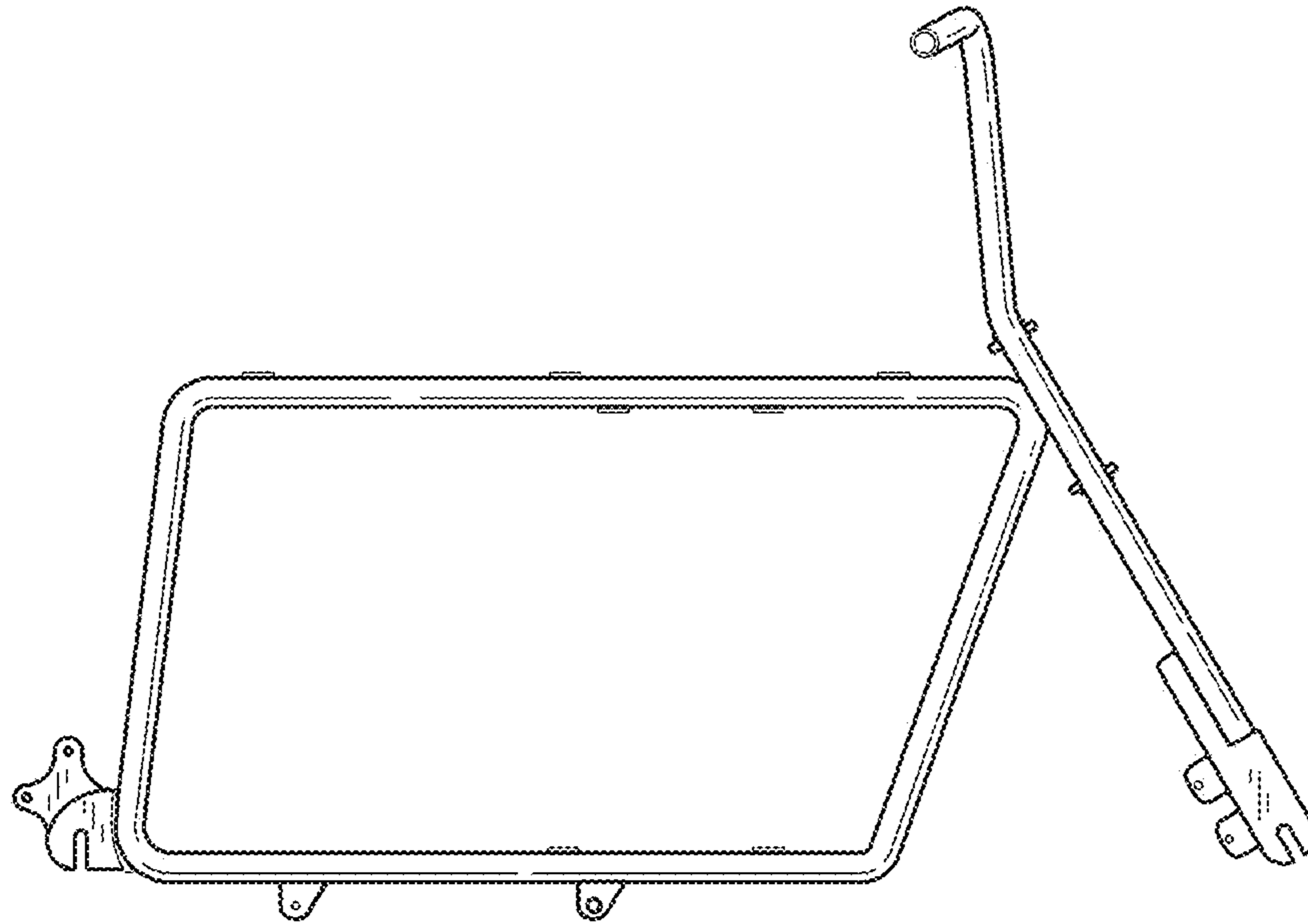
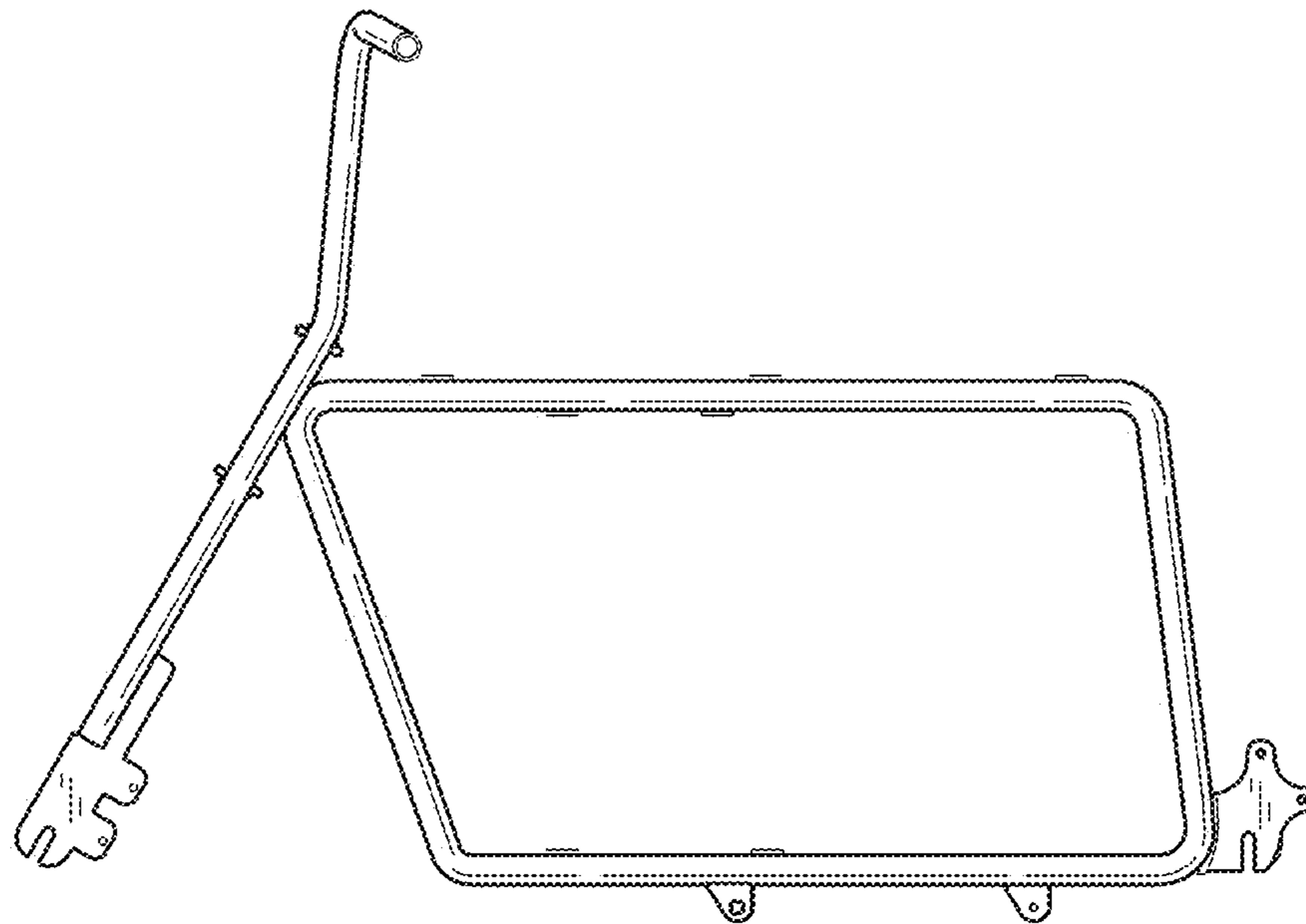


FIG. 4

FIG. 5



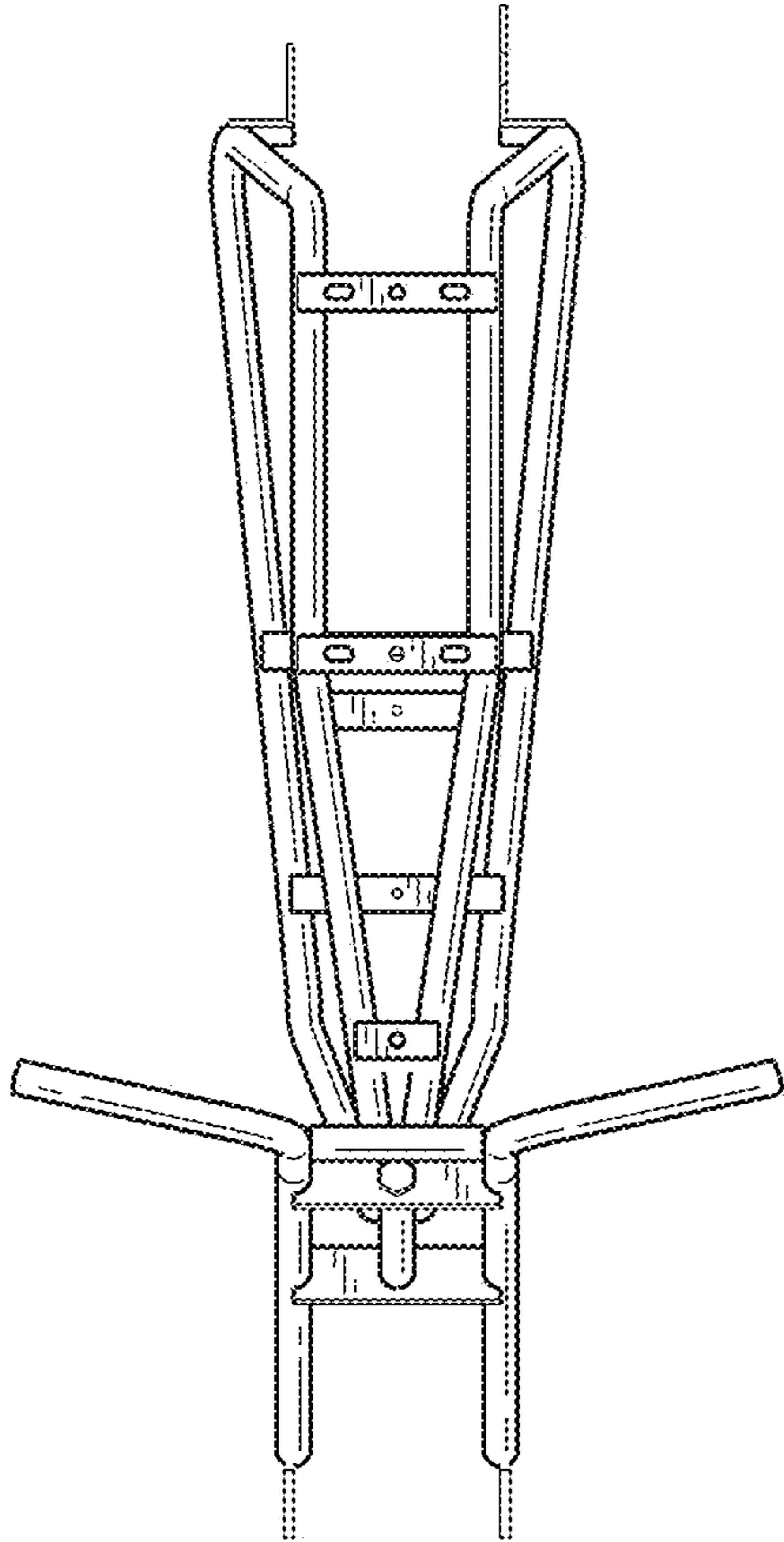


FIG. 6

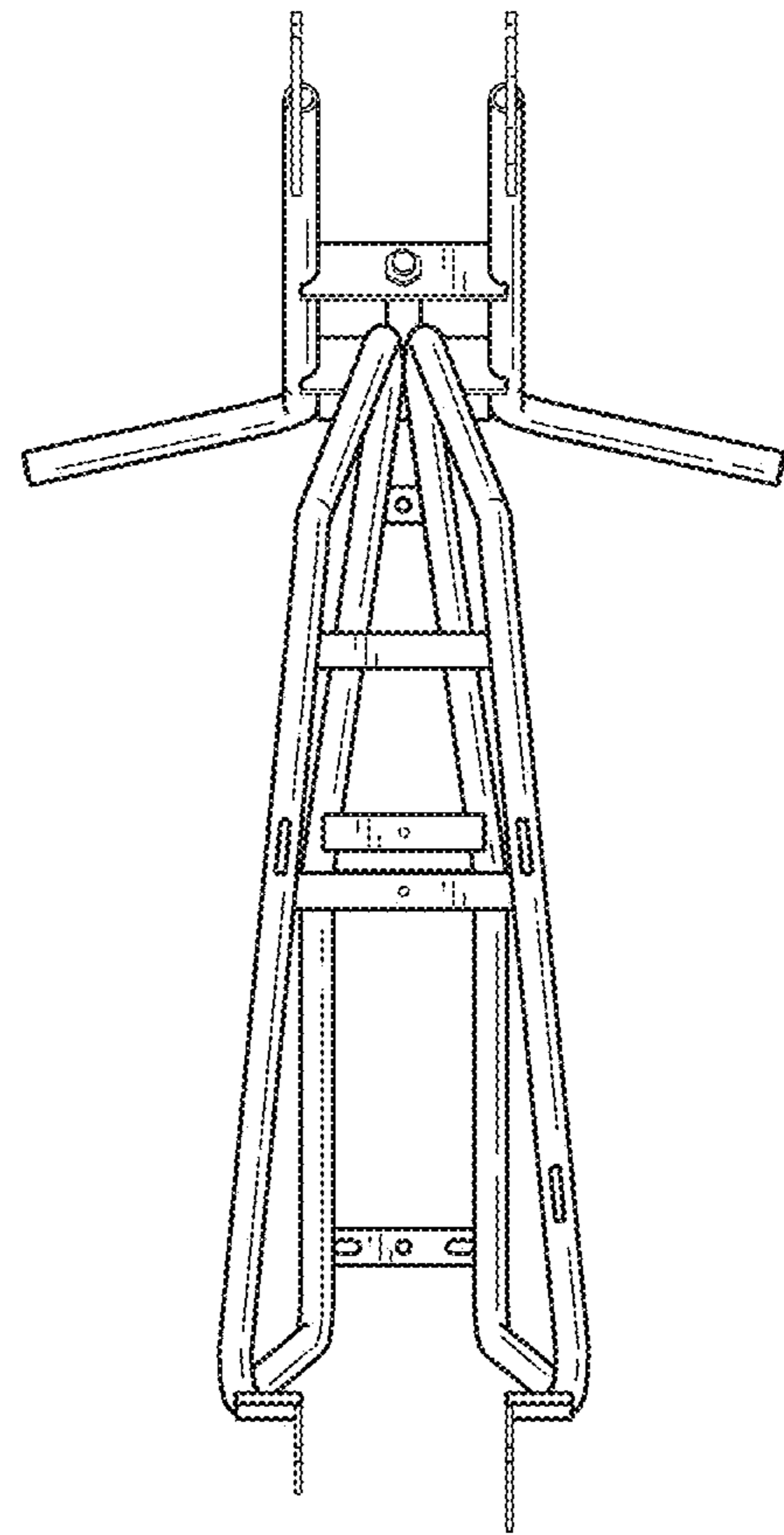


FIG. 7

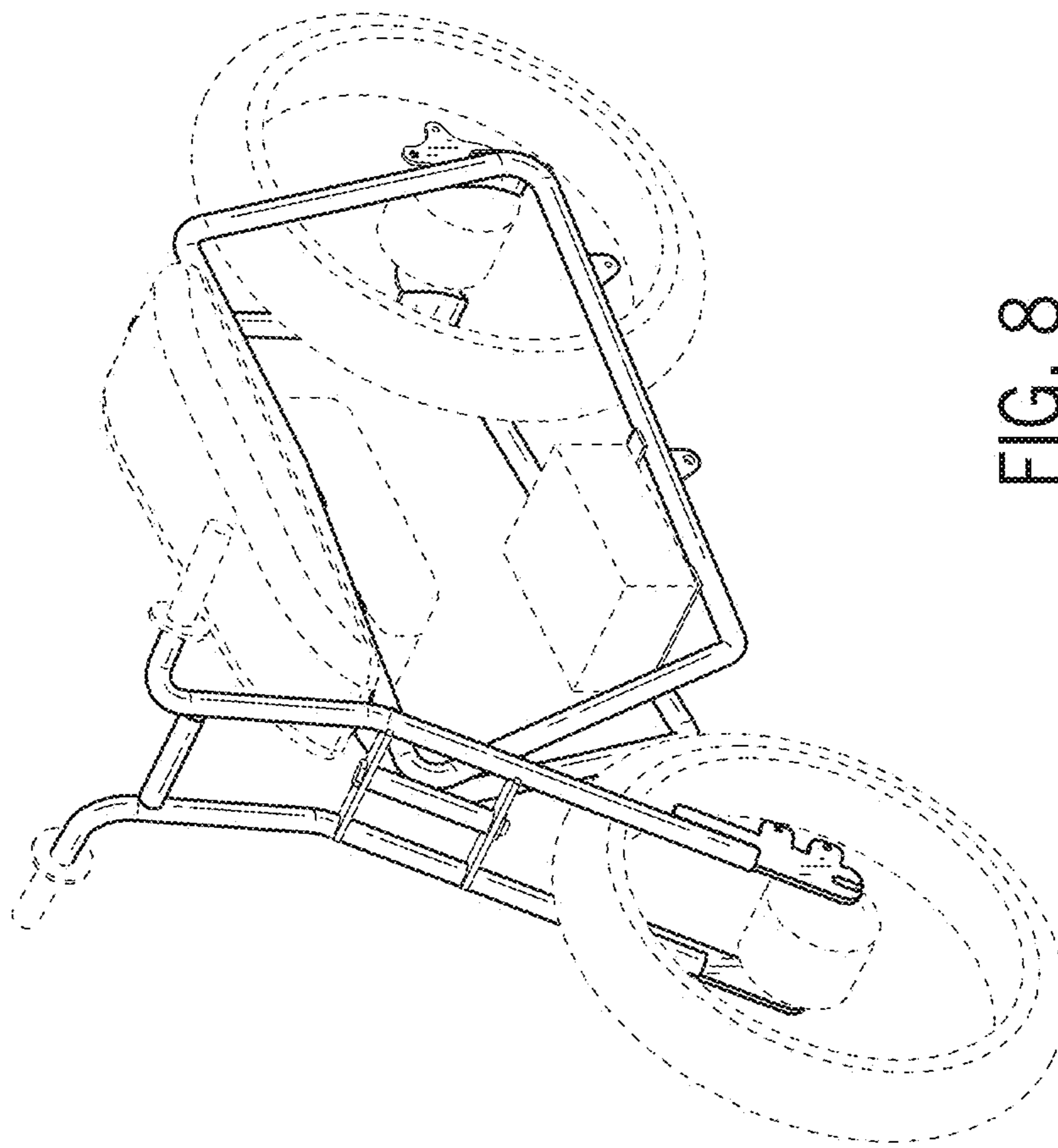


FIG. 8