



US00D979455S

(12) **United States Design Patent** (10) **Patent No.:** **US D979,455 S**  
**Badstuebner et al.** (45) **Date of Patent:** **\*\* Feb. 28, 2023**

(54) **MOTOR VEHICLE BODY, TOY REPLICA  
AND/OR OTHER REPLICA**

(71) Applicant: **Daimler AG**, Stuttgart (DE)

(72) Inventors: **Achim-Dietrich Badstuebner**,  
Sindelfingen (DE); **Mark Fetherston**,  
Stuttgart (DE); **Robert Lesnik**,  
Leonberg (DE); **Mayya Markova**,  
Stuttgart (DE); **Gorden Wagener**,  
Wangen (DE)

(73) Assignee: **Mercedes-Benz Group AG**, Stuttgart  
(DE)

(\*\*) Term: **15 Years**

(21) Appl. No.: **29/800,397**

(22) Filed: **Jul. 21, 2021**

(30) **Foreign Application Priority Data**

Jan. 22, 2021 (DE) ..... 402021200305.7

(51) **LOC (14) Cl.** ..... **12-08**

(52) **U.S. Cl.**  
USPC ..... **D12/91**

(58) **Field of Classification Search**  
USPC .... D12/86, 90-92, 164; D21/433, 434, 533,  
D21/535; 296/181.1-181.5, 183.1  
CPC ..... B62D 25/00; B62D 25/06; B62D 33/00;  
B62D 35/00  
See application file for complete search history.

(56) **References Cited**

**U.S. PATENT DOCUMENTS**

D608,695 S \* 1/2010 Burki ..... D12/91  
D827,497 S \* 9/2018 Frei ..... D12/91

D862,287 S \* 10/2019 Badstuebner ..... D12/91  
D867,212 S \* 11/2019 Badstuebner ..... D12/91  
D873,715 S \* 1/2020 Badstuebner ..... D12/91  
D873,716 S \* 1/2020 Badstuebner ..... D12/91  
D886,679 S \* 6/2020 Hellwig ..... D12/91  
D914,543 S \* 3/2021 Badstuebner ..... D12/91  
D929,900 S \* 9/2021 Badstuebner ..... D12/91  
D933,531 S \* 10/2021 Badstuebner ..... D12/92  
D944,688 S \* 3/2022 Badstuebner ..... D12/92  
D962,825 S \* 9/2022 Badstuebner ..... D12/91

**FOREIGN PATENT DOCUMENTS**

EM 003463819-0001 5/2019

\* cited by examiner

*Primary Examiner* — Melody N Brown

(74) *Attorney, Agent, or Firm* — Crowell & Moring LLP

(57) **CLAIM**

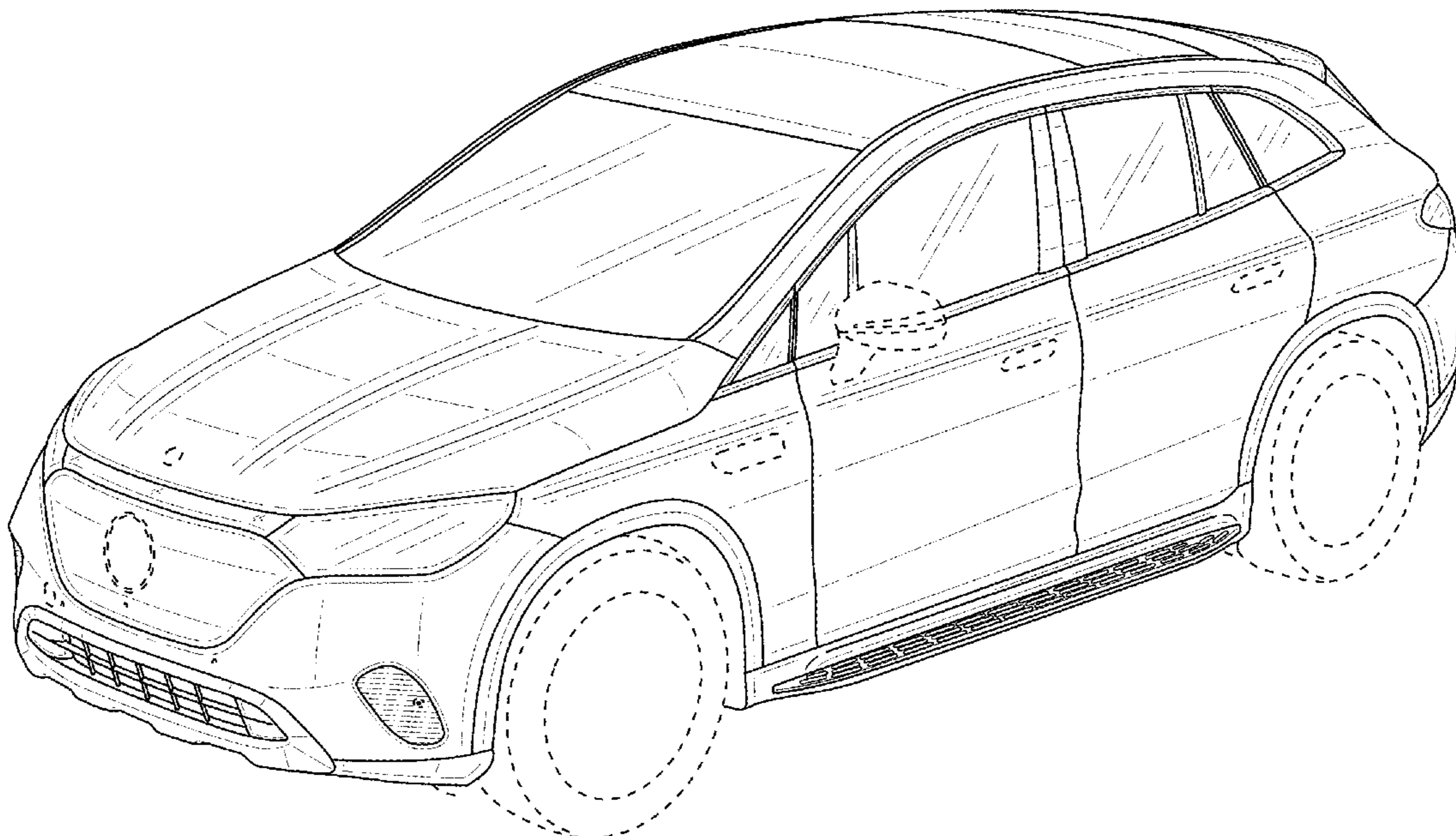
The ornamental design for a motor vehicle body, toy vehicle replica and/or other replica, as shown and described.

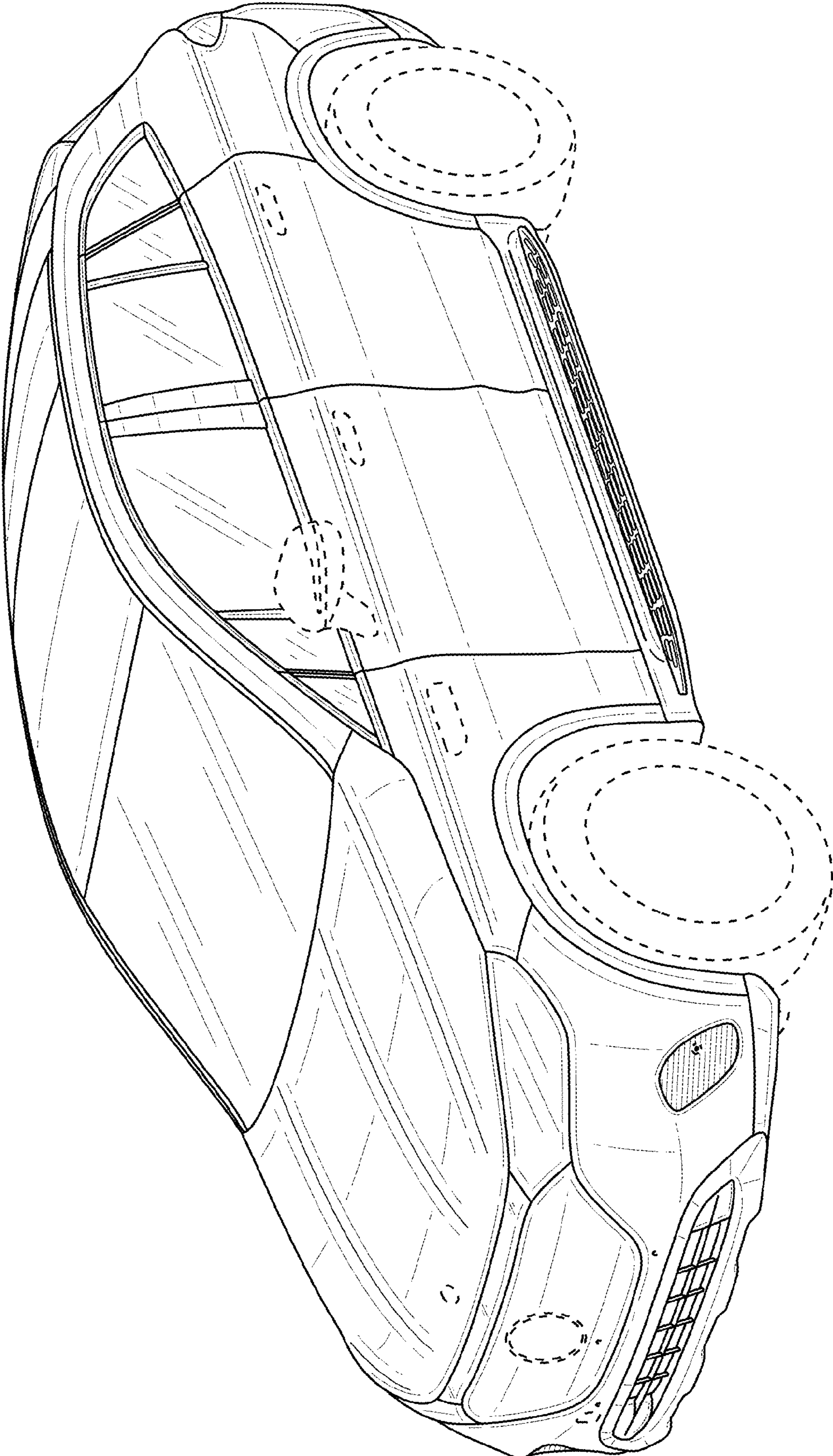
**DESCRIPTION**

FIG. 1 is a front perspective view of a motor vehicle body, toy replica and/or other replica showing our new design; FIG. 2 is a left, rear perspective view thereof; FIG. 3 is a front view thereof; FIG. 4 is a rear view thereof; FIG. 5 is a left side view thereof; FIG. 6 is a right side view thereof; and, FIG. 7 is a top view thereof.

The broken lines shown throughout the drawing views are for environmental and illustrative purposes that form no part of the claimed design.

**1 Claim, 7 Drawing Sheets**





**FIG. 1**

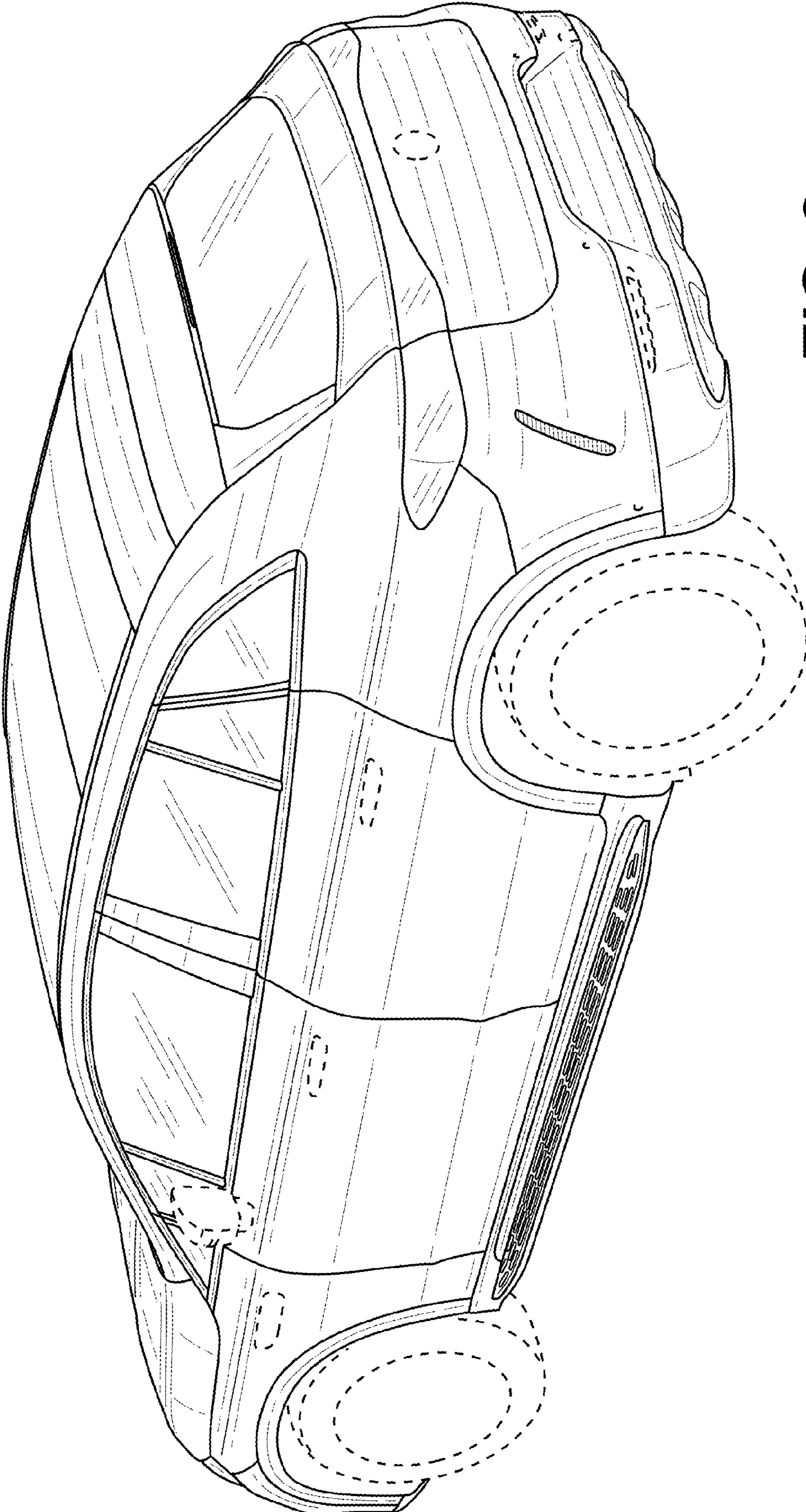
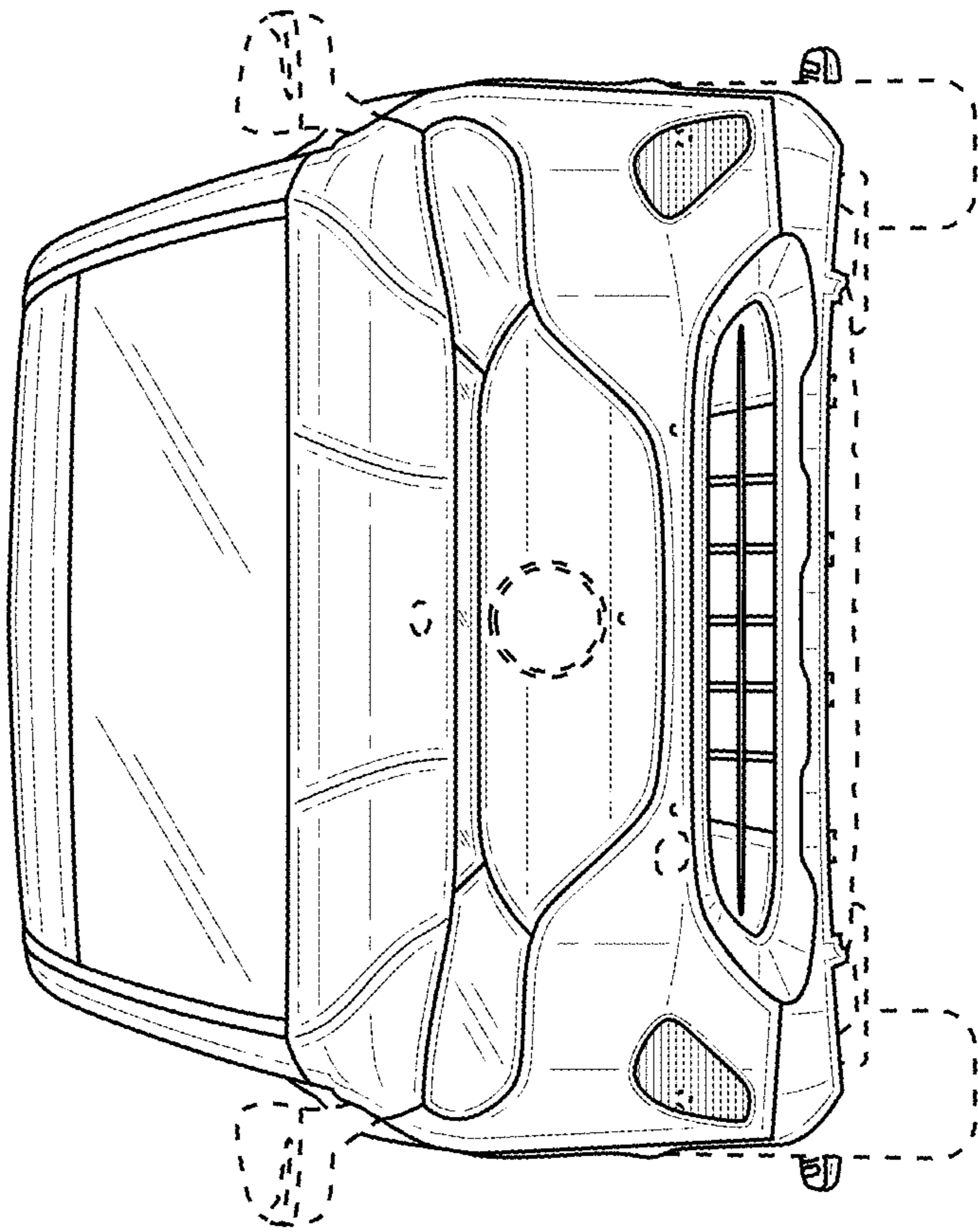
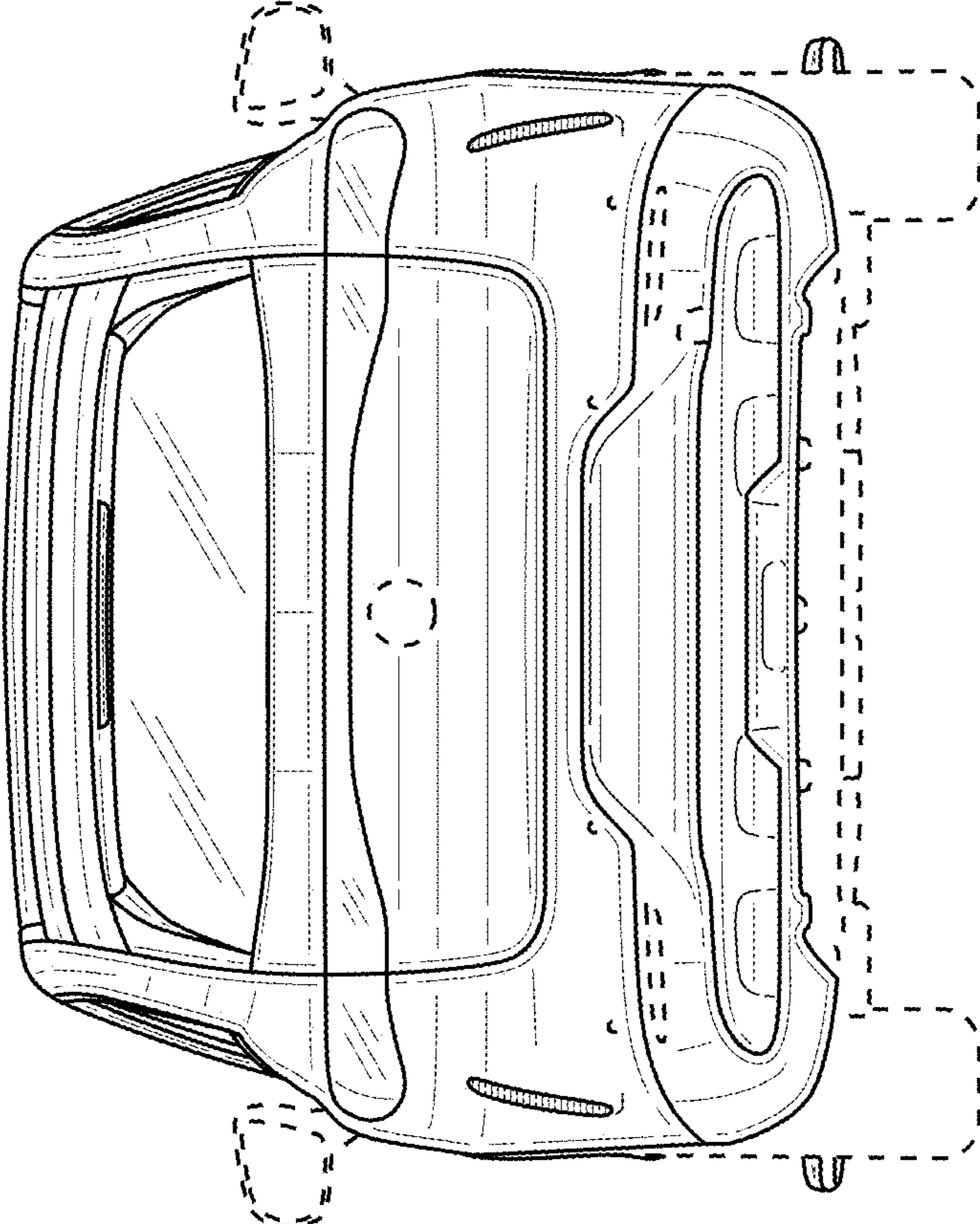


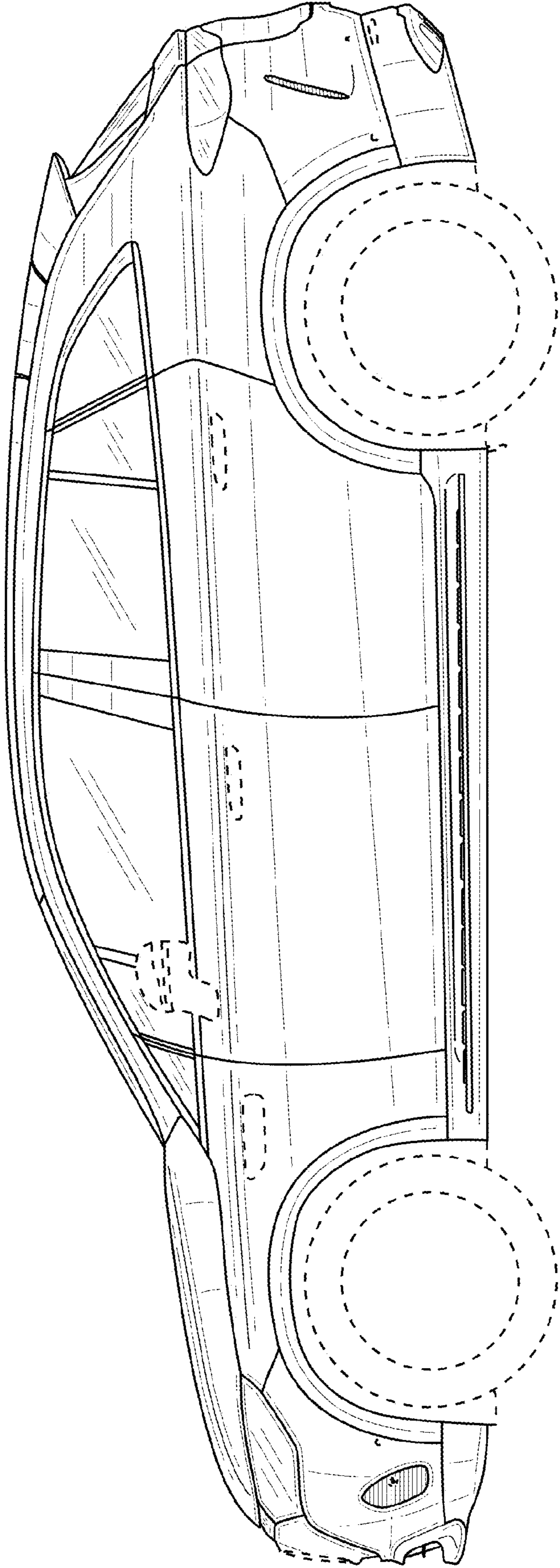
FIG. 2



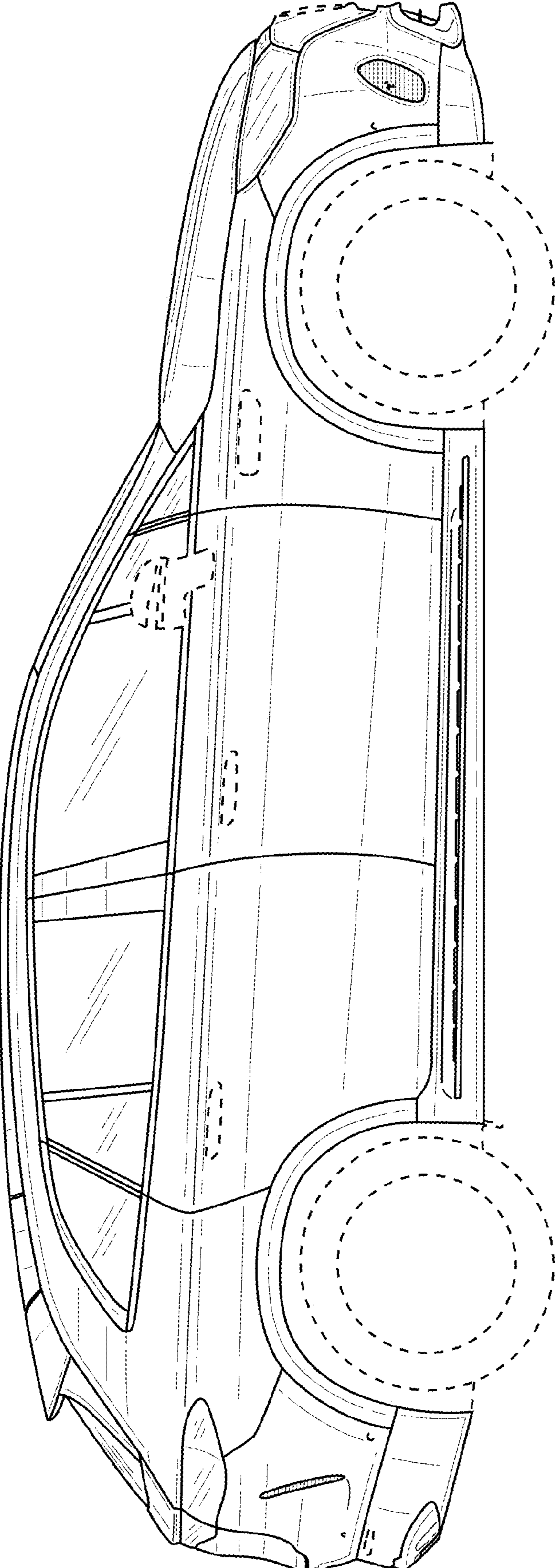
**FIG. 3**



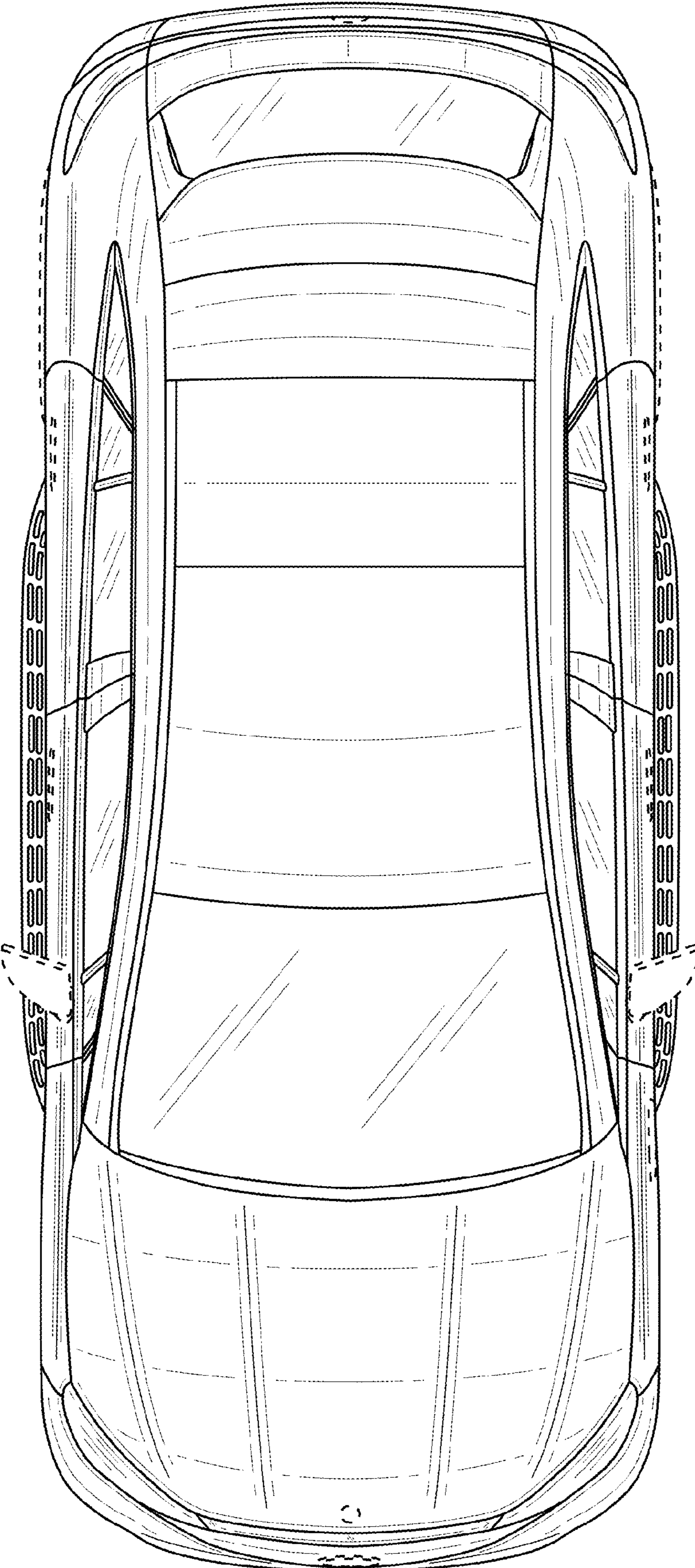
**FIG. 4**



**FIG. 5**



**FIG. 6**



**FIG. 7**