



US00D979454S

(12) **United States Design Patent**
Jeong et al.

(10) **Patent No.:** **US D979,454 S**
(45) **Date of Patent:** **** Feb. 28, 2023**

(54) **AERIAL VEHICLE**

FOREIGN PATENT DOCUMENTS

(71) Applicant: **SZ DJI Technology Co., Ltd.**,
Shenzhen (CN)
(72) Inventors: **Jaewan Jeong**, Shenzhen (CN);
Baichuan He, Shenzhen (CN); **Yiwei**
Chen, Shenzhen (CN)

CN	304596539 S	4/2018
JP	D1562311 S	11/2016
JP	D1619568 S	12/2018
TW	D175122 S	4/2016
TW	D191607 S	7/2018
TW	D194965 S	12/2018
WO	DM/101 679	7/2018

(73) Assignee: **SZ DJI Technology Co., Ltd.**,
Shenzhen (CN)

OTHER PUBLICATIONS

DJI FPV Redifine Flying, posted [online], [retrieved Oct. 4, 2022].
Retrieved from internet, <https://www.dji.com/dji-fpv> (Date:Oct. 4,
2022) (Year: 2022).*

(**) Term: **15 Years**

* cited by examiner

(21) Appl. No.: **29/750,182**

(22) Filed: **Sep. 11, 2020**

(51) **LOC (14) Cl.** **12-06**

(52) **U.S. Cl.**
USPC **D12/16.1**; D21/436; D21/441

(58) **Field of Classification Search**
USPC D12/16.1, 319-345; D21/436, 441, 443,
D21/444, 446, 447, 448, 449, 450
CPC B64C 2201/141; B64C 2201/20; B64C
2201/027; B64C 1/40
See application file for complete search history.

Primary Examiner — Christian P. McLean
Assistant Examiner — Jessica Lynn Devilbiss
(74) *Attorney, Agent, or Firm* — Sterne, Kessler,
Goldstein & Fox P.L.L.C.

(57) **CLAIM**

The ornamental design for an aerial vehicle, as shown and
described.

DESCRIPTION

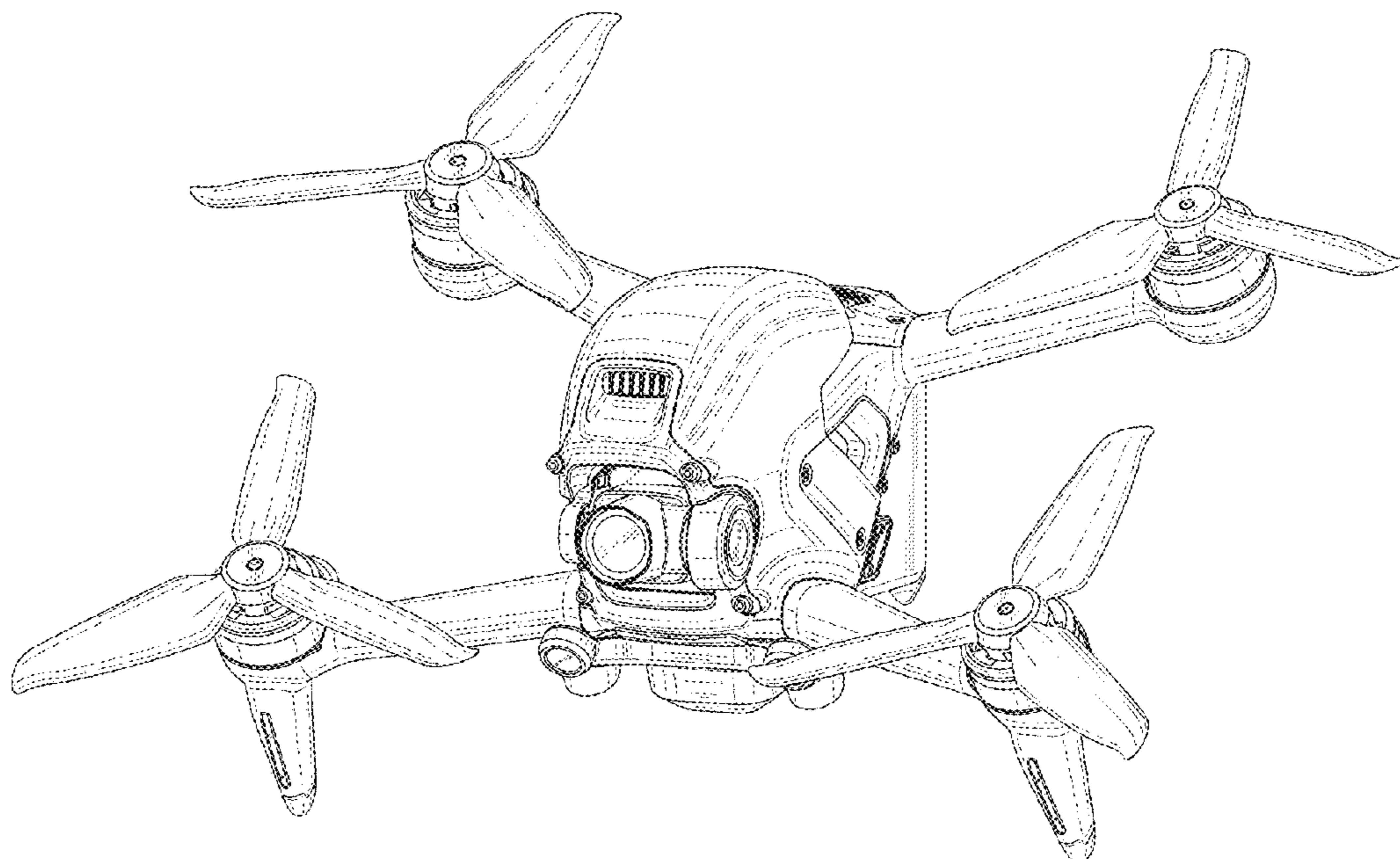
(56) **References Cited**

U.S. PATENT DOCUMENTS

D728,445 S	5/2015	Colten et al.	
D798,961 S	* 10/2017	Li	D21/441
D814,350 S	* 4/2018	Joo	D12/16.1
D814,973 S	* 4/2018	Li	D12/16.1
D862,359 S	10/2019	Chen et al.	
D862,360 S	* 10/2019	Liang	D12/328
D894,790 S	* 9/2020	Chen	D12/16.1
D953,201 S	* 5/2022	Costier	B64C 27/50
			D12/16.1
D965,069 S	* 9/2022	De Pol	D21/448

FIG. 1 is a front perspective view of an aerial vehicle
showing the claimed design;
FIG. 2 is a rear perspective view thereof;
FIG. 3 is a front view thereof;
FIG. 4 is a rear view thereof;
FIG. 5 is a left side view thereof;
FIG. 6 is a right side view thereof;
FIG. 7 is a top view thereof; and,
FIG. 8 is a bottom view thereof.

1 Claim, 8 Drawing Sheets



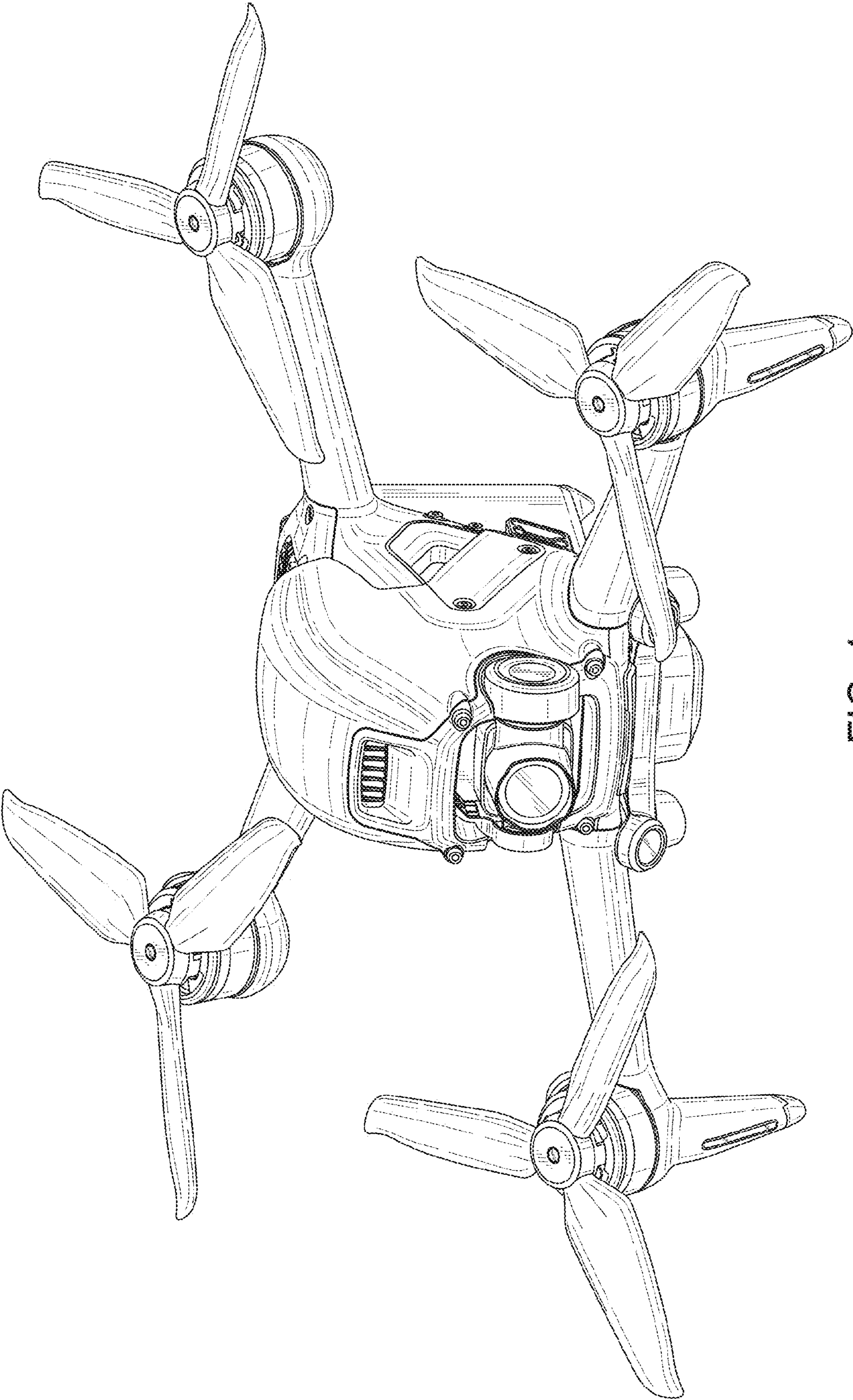


FIG. 1

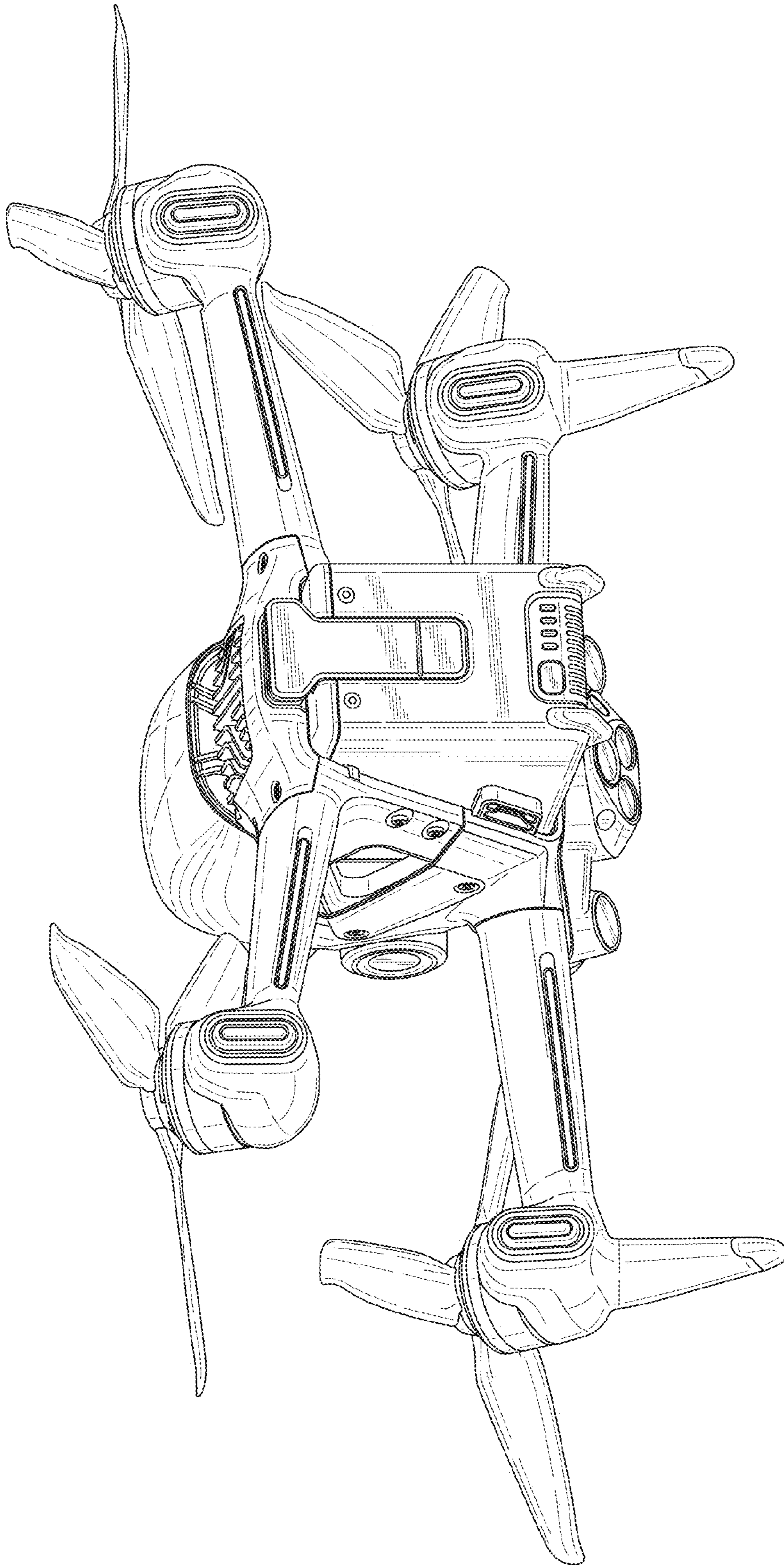


FIG. 2

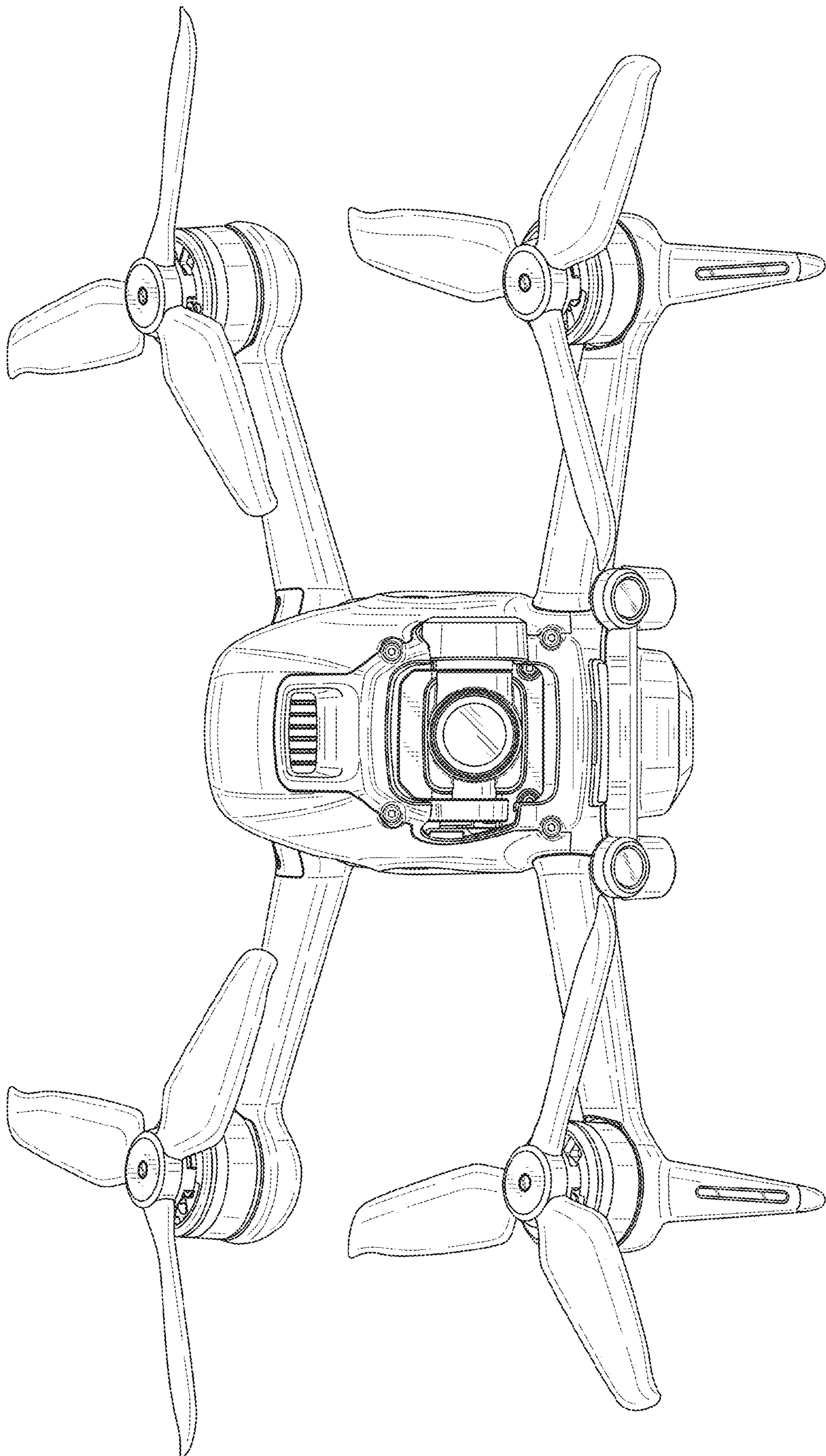


FIG. 3

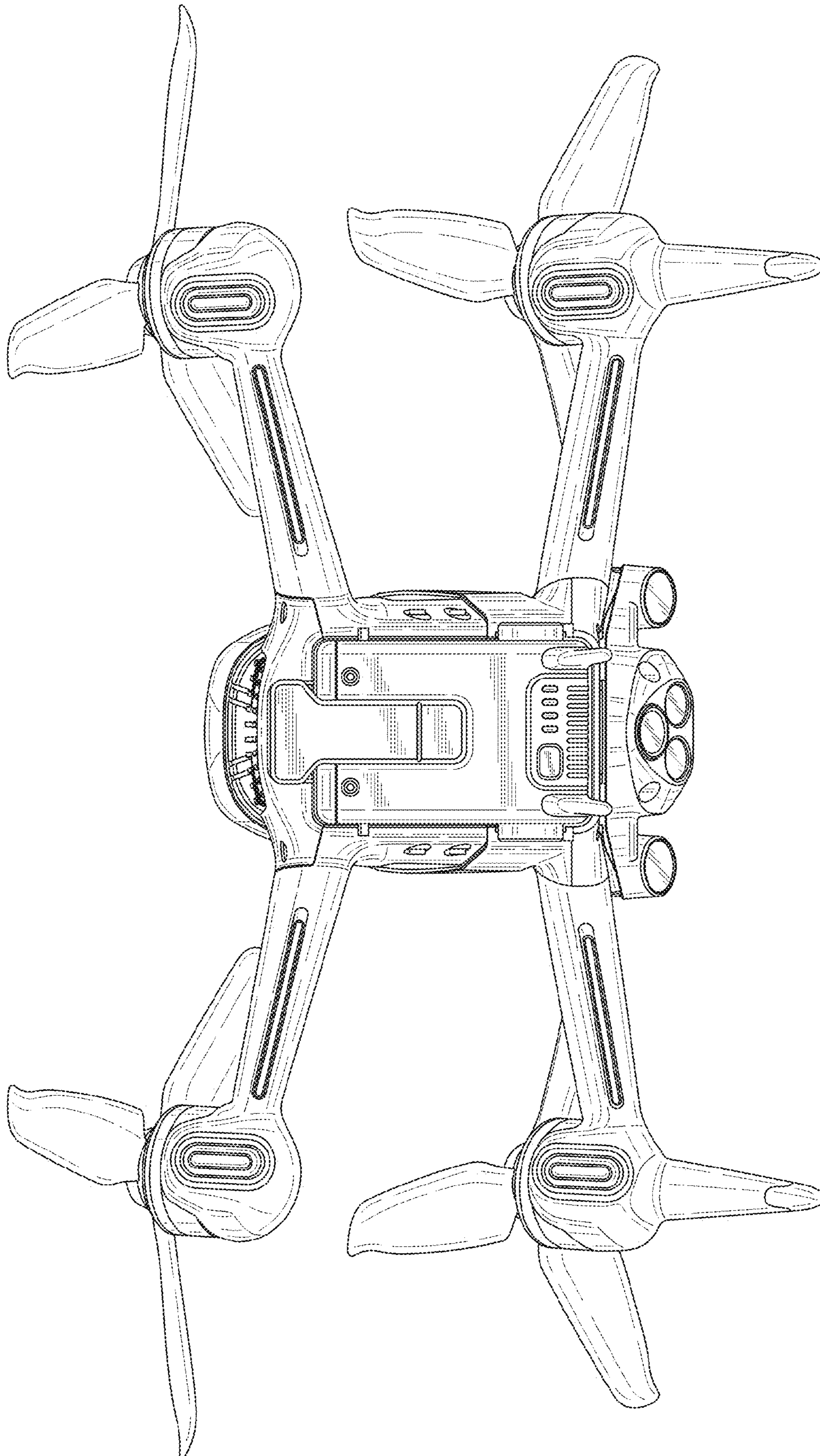


FIG. 4

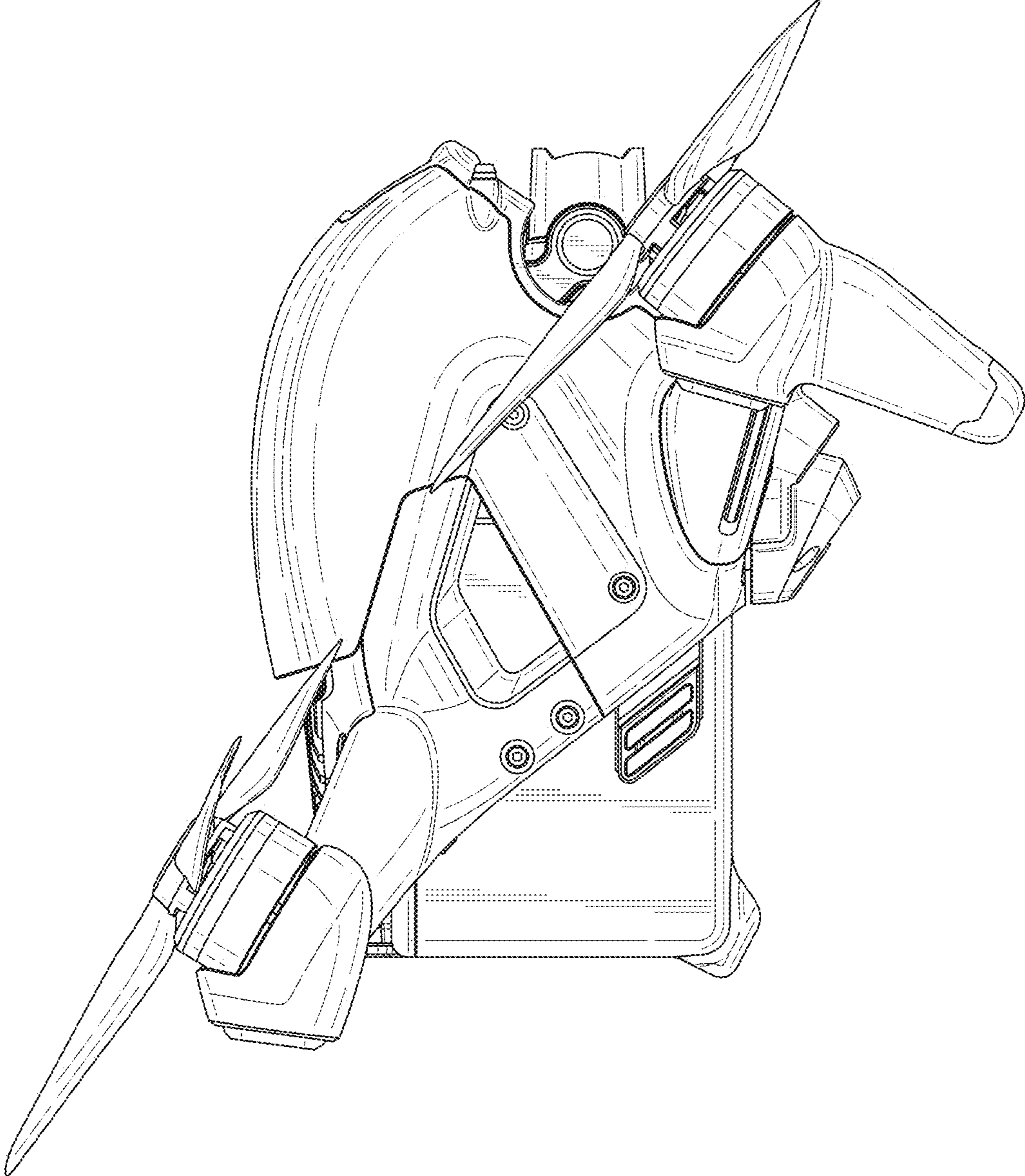


FIG. 5

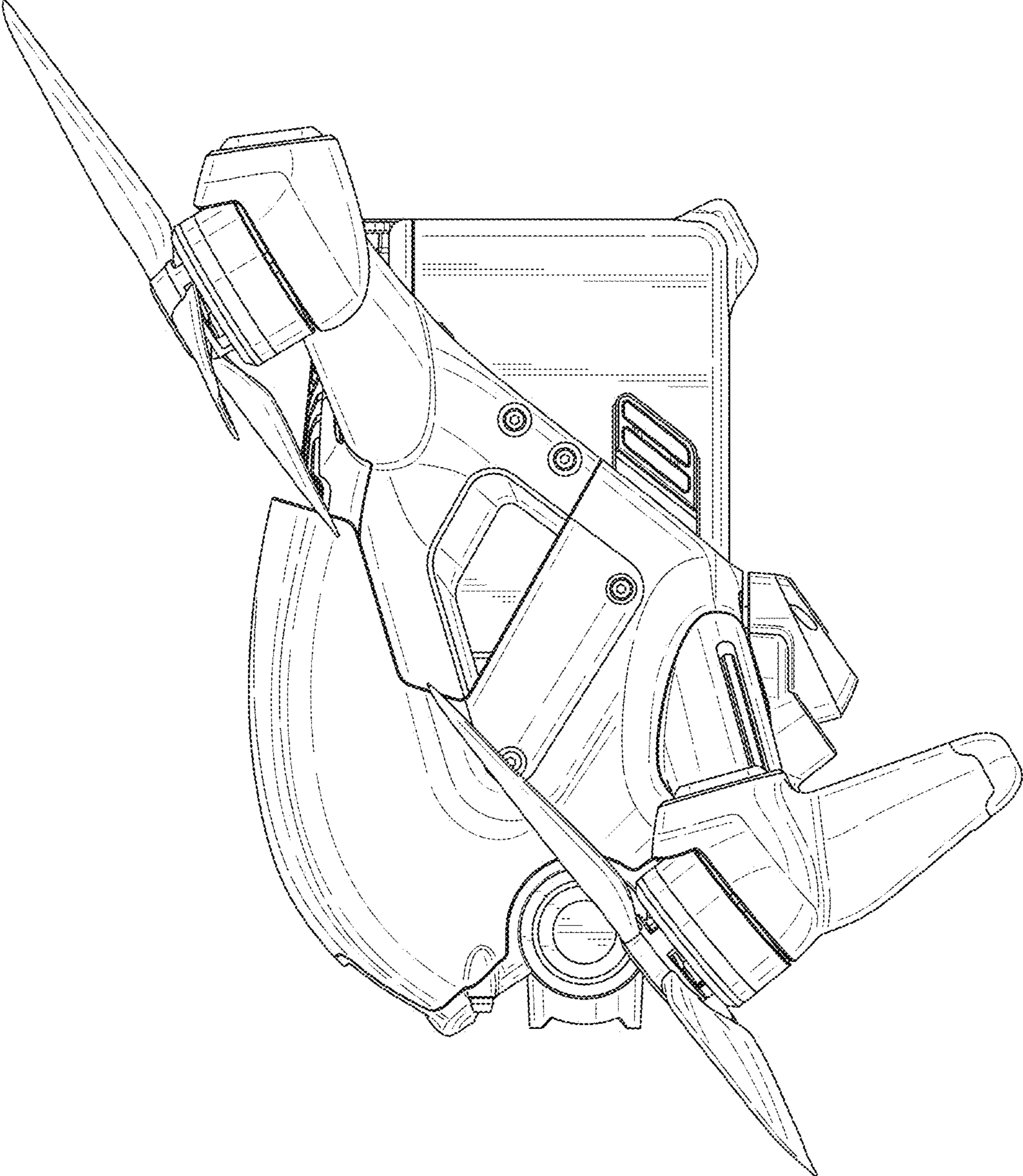


FIG. 6

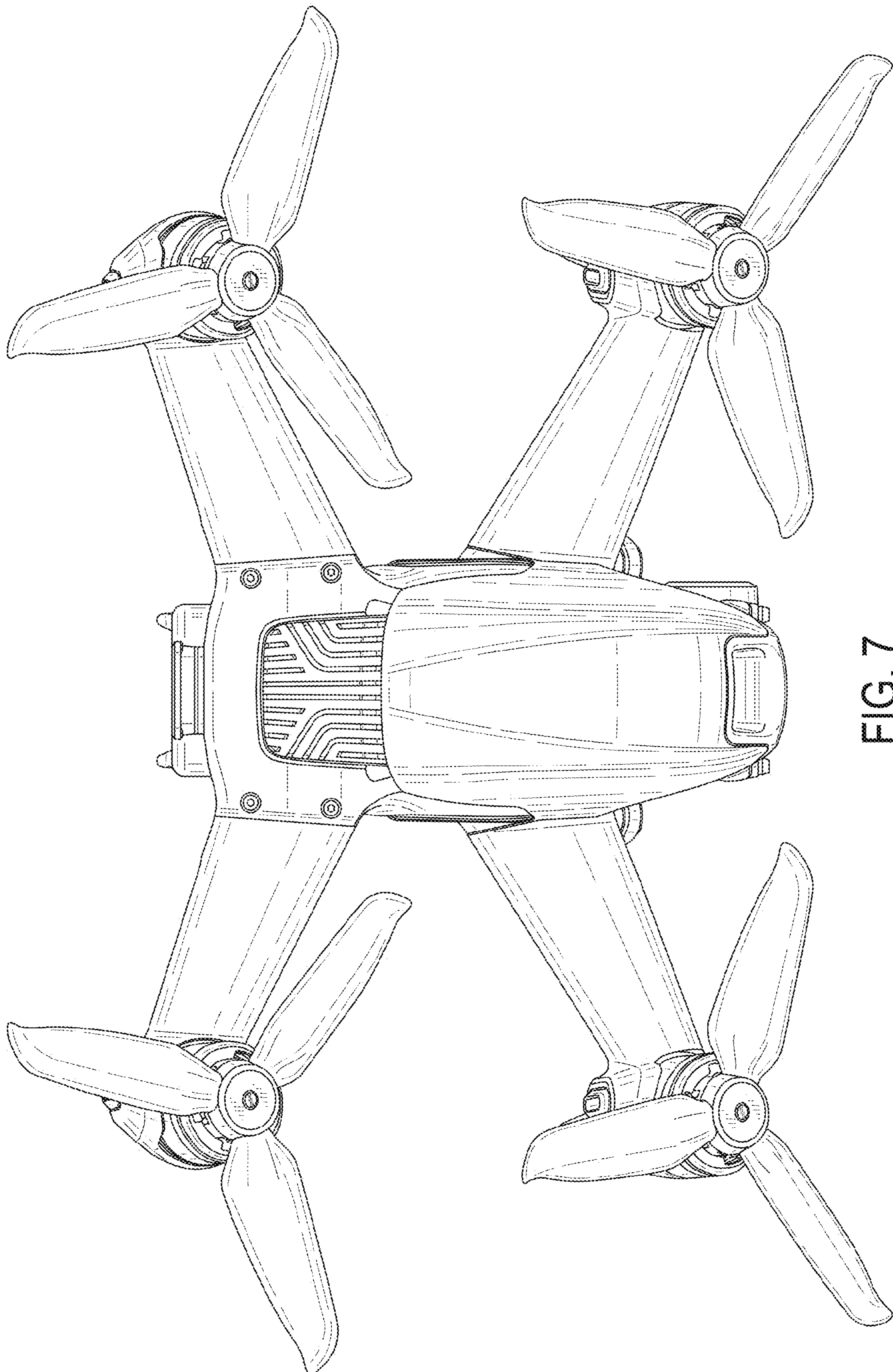


FIG. 7

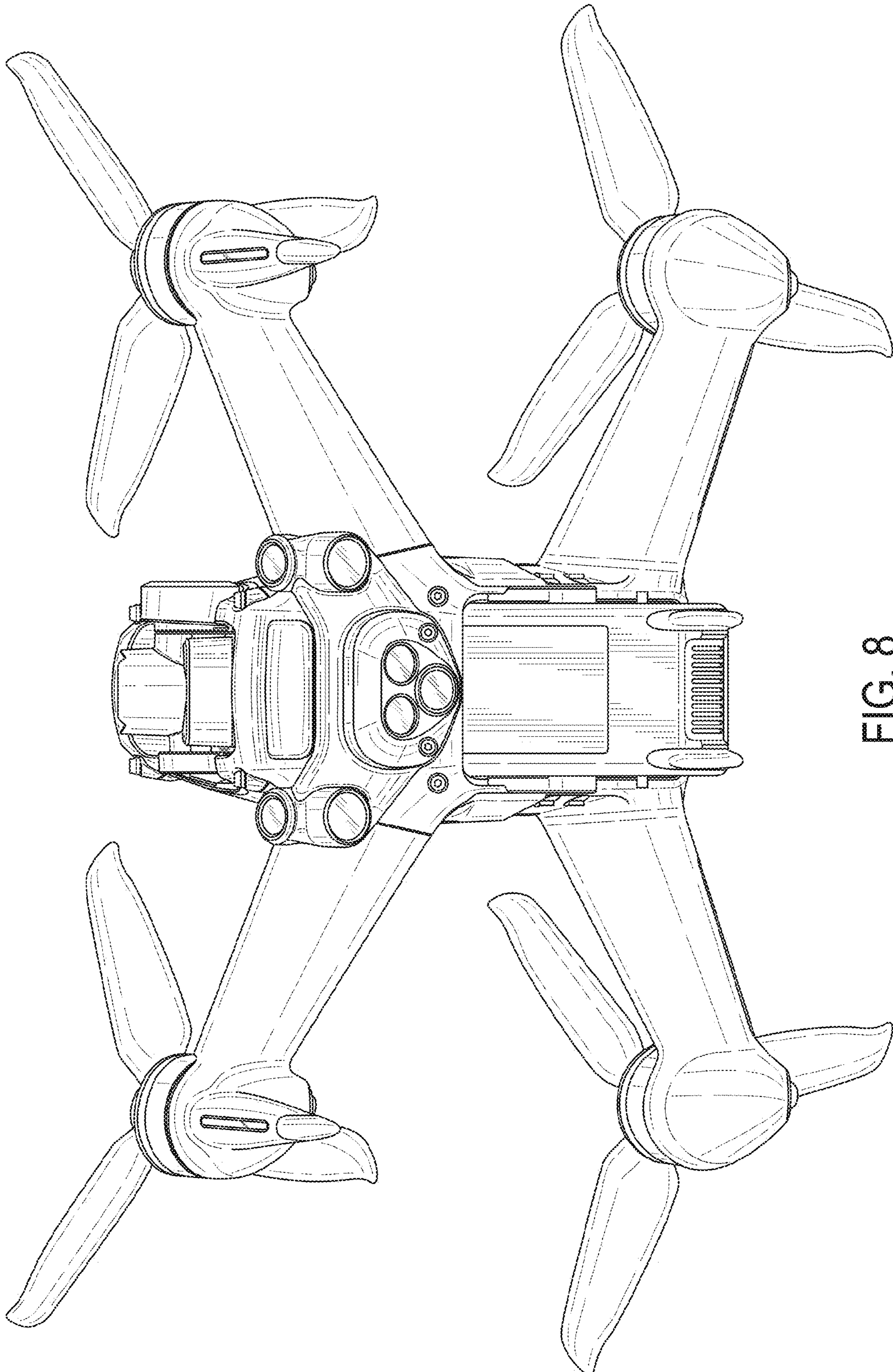


FIG. 8