



US00D979451S

(12) **United States Design Patent**
Kim et al.

(10) **Patent No.:** **US D979,451 S**
(45) **Date of Patent:** **** Feb. 28, 2023**

(54) **MAIN BODY OF INDOOR PLANT CULTIVATORS**

(71) Applicant: **LG ELECTRONICS INC.**, Seoul (KR)

(72) Inventors: **Yong Kim**, Seoul (KR); **Kyukwan Choi**, Seoul (KR); **Minsub Kim**, Seoul (KR)

(73) Assignee: **LG ELECTRONICS INC.**, Seoul (KR)

(**) Term: **15 Years**

(21) Appl. No.: **29/739,762**

(22) Filed: **Jun. 29, 2020**

(30) **Foreign Application Priority Data**

Dec. 31, 2019 (KR) 30-2019-0064051

(51) **LOC (14) Cl.** **11-02**

(52) **U.S. Cl.**
USPC **D11/144; D11/143**

(58) **Field of Classification Search**
USPC D11/155, 163, 143, 144; D15/79;
D6/403, 405, 556-558, 677.3, 678.2;
D24/216, 231-232; D25/15; D8/1;
D7/554.3; 47/39, 73, 86
CPC . A01G 9/02; A01G 27/00; A01G 9/00; A01G
9/24; A47G 7/00; A47G 7/02; A47G
(Continued)

(56) **References Cited**

U.S. PATENT DOCUMENTS

1,665,124 A * 4/1928 Wright A01G 9/02
47/73
3,142,133 A * 7/1964 Brooks A01G 9/0295
D7/672

(Continued)

FOREIGN PATENT DOCUMENTS

CA 62017 * 11/1988
CN 305807829 * 10/2019
CN 305559581 * 1/2020

OTHER PUBLICATIONS

Eat-in Kitchen: An Undercounter Herb Garden, available in gardenista.com, announced Year 2015 [online], [site visited Mar. 31, 2022], Internet URL: <https://www.gardenista.com/posts/eat-in-kitchen-an-undercounter-herb-garden-urban-cultivator/> (Year: 2015).*

(Continued)

Primary Examiner — Brett Miller

Assistant Examiner — Jasmine L. Comedy

(74) *Attorney, Agent, or Firm* — Birch, Stewart, Kolasch & Birch, LLP

(57) **CLAIM**

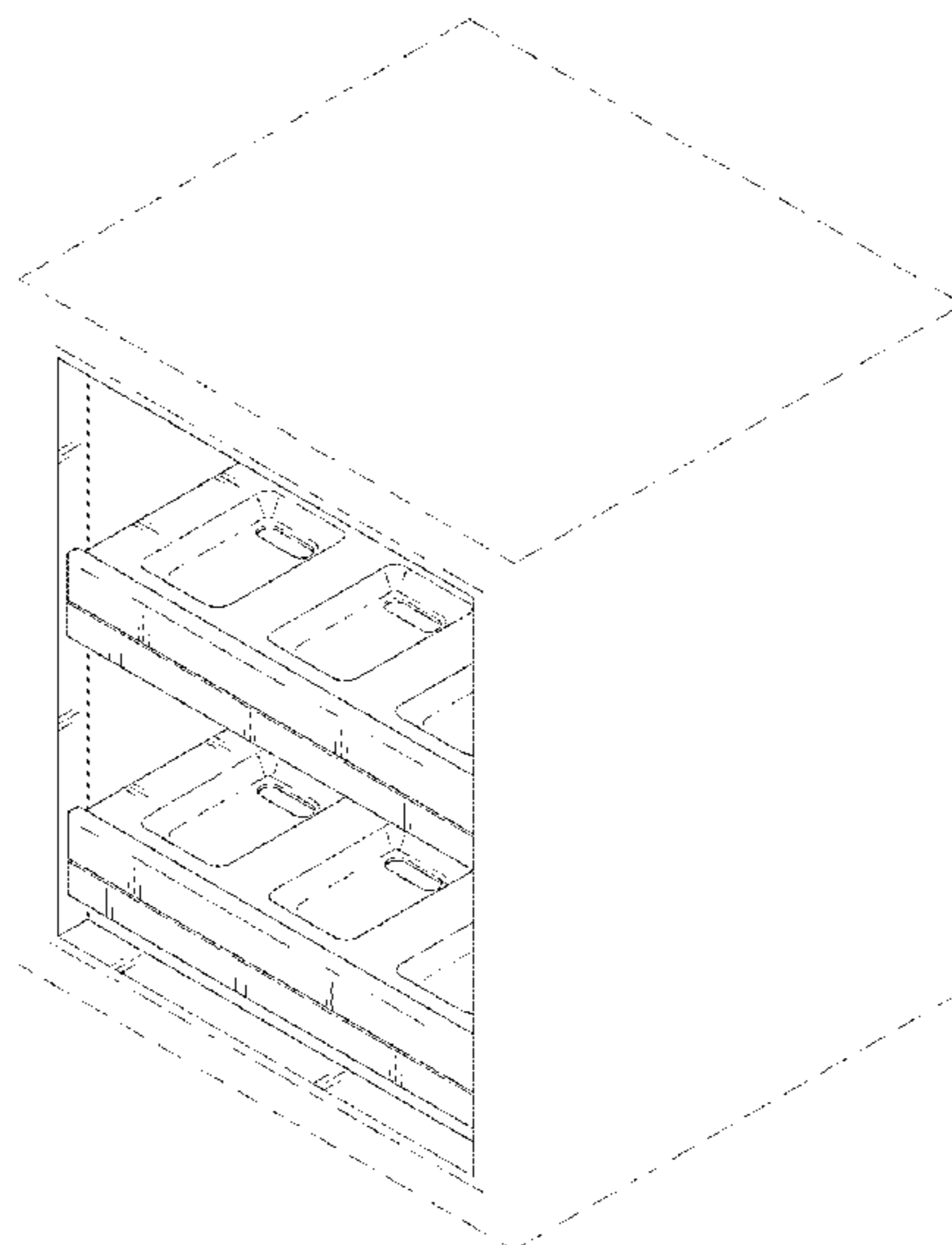
The ornamental design for a main body of indoor plant cultivators, as shown and described.

DESCRIPTION

FIG. 1 is a front perspective view of the main body of indoor plant cultivators showing our new design;
FIG. 2 is a front view thereof;
FIG. 3 is a back view thereof;
FIG. 4 is a left side view thereof;
FIG. 5 is a right side view thereof;
FIG. 6 is a top plan view thereof;
FIG. 7 is a bottom plan view thereof; and,
FIG. 8 is a reference view showing the state of use in which one of the shelves of the claimed design has been slid forward.

The broken lines depict portions of the main body of indoor plant cultivators that form no part of the claimed design. The dash-dot broken lines define the bounds of the claimed design and form no part thereof.

1 Claim, 8 Drawing Sheets



(58) **Field of Classification Search**
 CPC 7/041; A47G 7/044; A47G 7/047; A47G
 7/06; A47G 7/08
 See application file for complete search history.

(56) **References Cited**

U.S. PATENT DOCUMENTS

3,314,192 A * 4/1967 Park A01G 9/022
 47/18
 D214,523 S * 6/1969 Stone D7/553.3
 4,756,119 A * 7/1988 Chabot A01G 9/0299
 108/127
 4,926,586 A * 5/1990 Nagamatsu E04D 11/002
 47/65.9
 5,315,786 A * 5/1994 Smith A01G 9/0295
 47/74
 5,419,080 A * 5/1995 Buss A01G 9/0295
 47/87
 5,664,370 A * 9/1997 Boudreau A01G 9/027
 47/87
 5,927,009 A * 7/1999 Vanwingerden A01G 9/0295
 47/73
 6,314,679 B1 * 11/2001 White A01G 9/0295
 47/1.01 R
 6,651,384 B1 * 11/2003 Williams A01G 9/0295
 47/66.5
 6,725,598 B2 * 4/2004 Yoneda A01G 31/02
 47/60
 D491,802 S * 6/2004 Griffith D9/753
 D510,367 S * 10/2005 Yamashita D15/79
 7,020,997 B1 * 4/2006 Thomas A01G 9/028
 47/39
 D659,724 S * 5/2012 Wolfe D15/79
 D659,725 S * 5/2012 Wolfe D15/85
 D783,421 S * 4/2017 Van Belle D9/760
 D787,186 S * 5/2017 Thurbin D3/313

D788,185 S * 5/2017 Wolfe D15/79
 D861,384 S * 10/2019 Crutcher D6/661
 2008/0093242 A1 * 4/2008 Rosendall B65D 25/2873
 206/423
 2009/0119987 A1 * 5/2009 Ingrassia A01G 9/028
 47/66.5
 2009/0260285 A1 * 10/2009 Smith A01G 9/045
 47/86
 2010/0025347 A1 * 2/2010 Wetering A01G 9/0297
 47/74
 2010/0175319 A1 * 7/2010 Meeks B65D 19/06
 47/79
 2010/0180500 A1 * 7/2010 Visser A01G 9/0295
 47/87
 2011/0056131 A1 * 3/2011 Smith A01G 9/045
 40/299.01
 2016/0037735 A1 * 2/2016 Blackmore, Jr. A01G 9/028
 47/66.5
 2016/0270303 A1 * 9/2016 Cooley A01G 9/0295
 2017/0035001 A1 * 2/2017 Blackmore, Jr. A01G 9/028
 2018/0317400 A1 * 11/2018 Lossl A01G 27/003
 2019/0110407 A1 * 4/2019 Su A01G 27/00
 2019/0223391 A1 * 7/2019 Loessl A01G 9/20
 2020/0154657 A1 * 5/2020 Lee A01G 9/24

OTHER PUBLICATIONS

Seed Starter Tray, 720 Cells, available in Amazon.com, date first available Apr. 7, 2017 [online], [site visited Apr. 8, 2022], Available from the internet URL: https://www.amazon.com/dp/B06ZYR87NR/ref=cm_sw_em_r_mt_dp_M5RN9YVB2QW6AYJSC2XP (Year: 2017).*

LG now makes a home gardening appliance, available in theverge.com, announced Year 2019 [online], [site visited Apr. 8, 2022], Internet URL: <https://www.theverge.com/2019/12/27/21038848/lg-home-garden-kitchen-appliance> (Year: 2019).*

* cited by examiner

FIG. 1

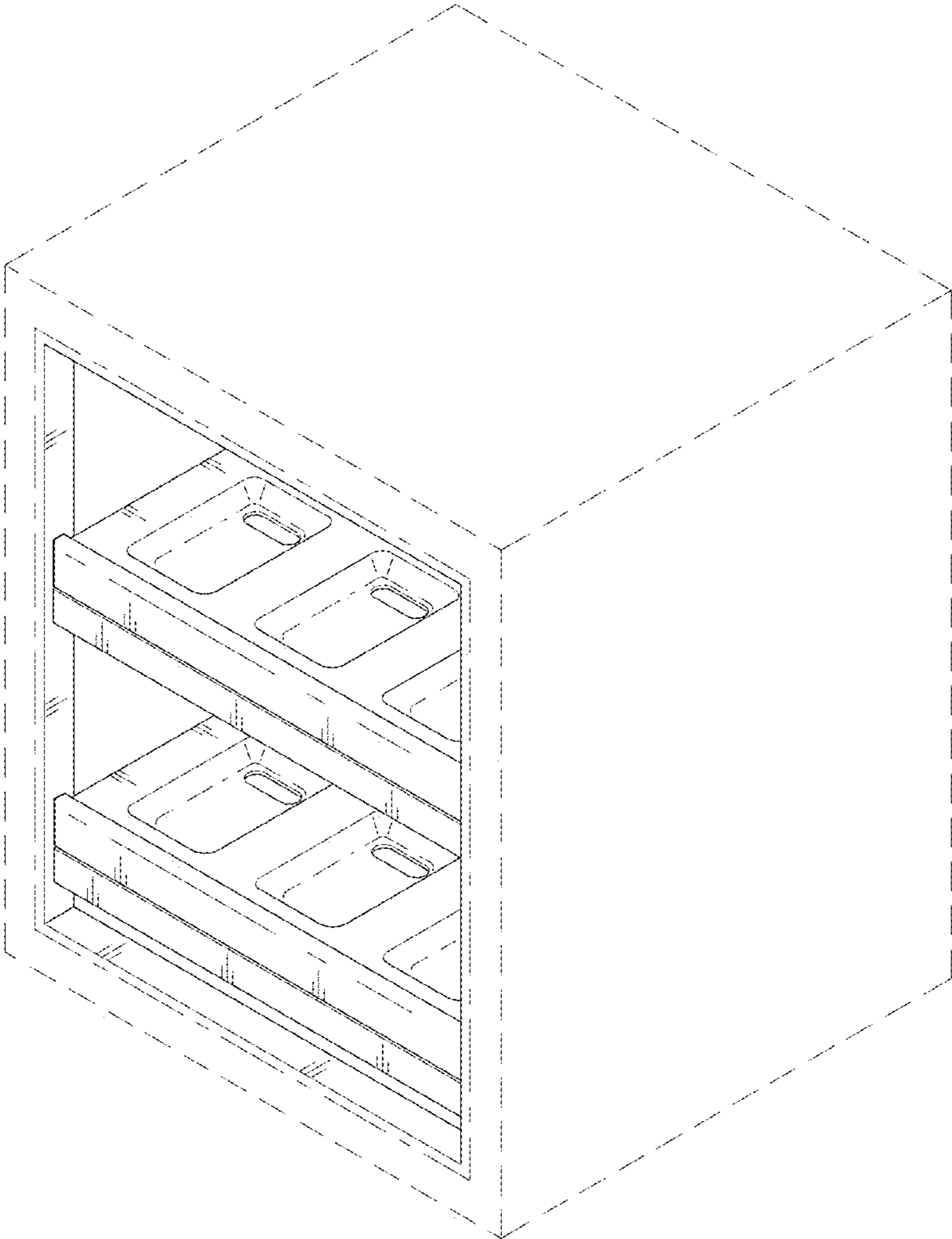


FIG. 2

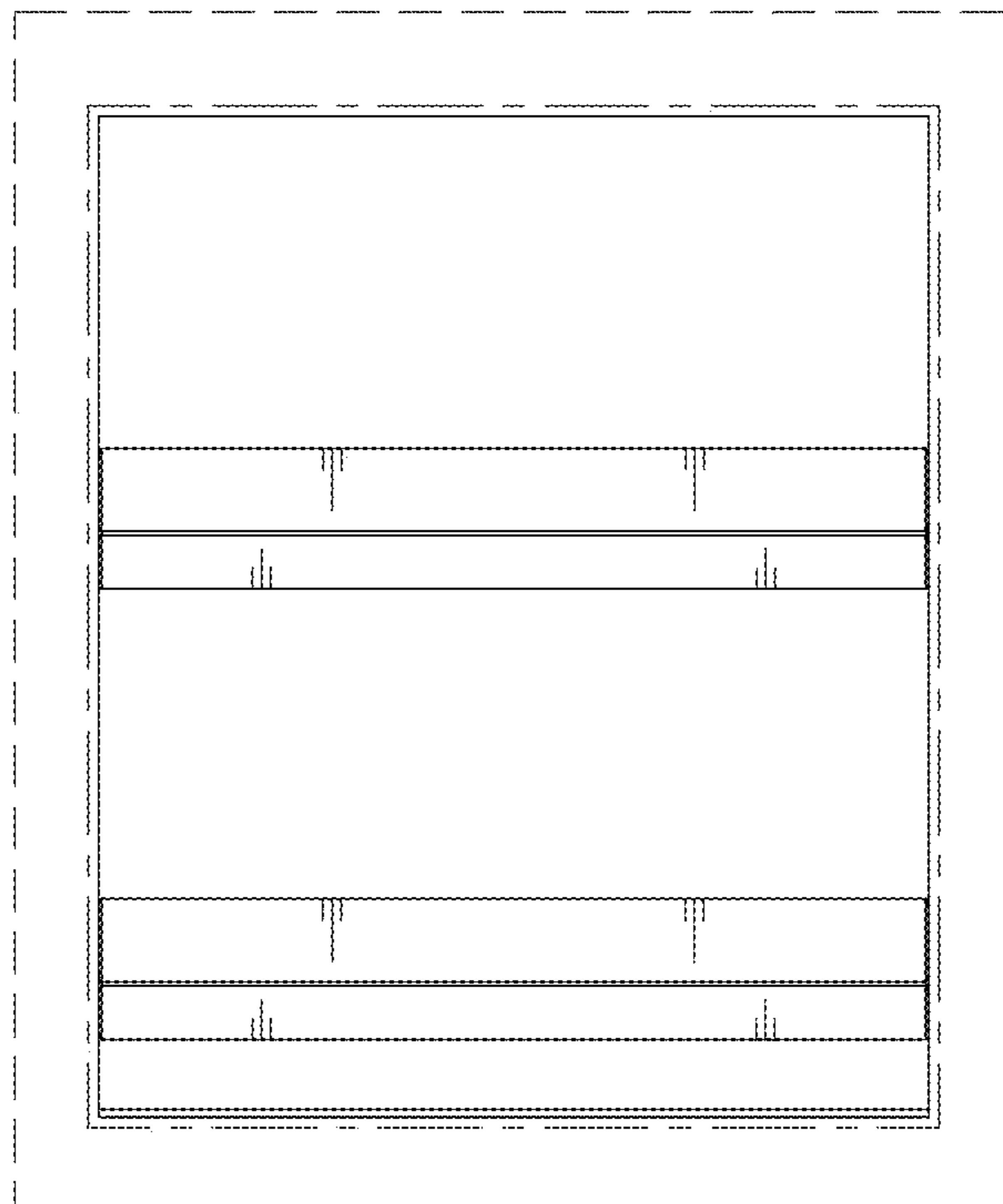


FIG. 3

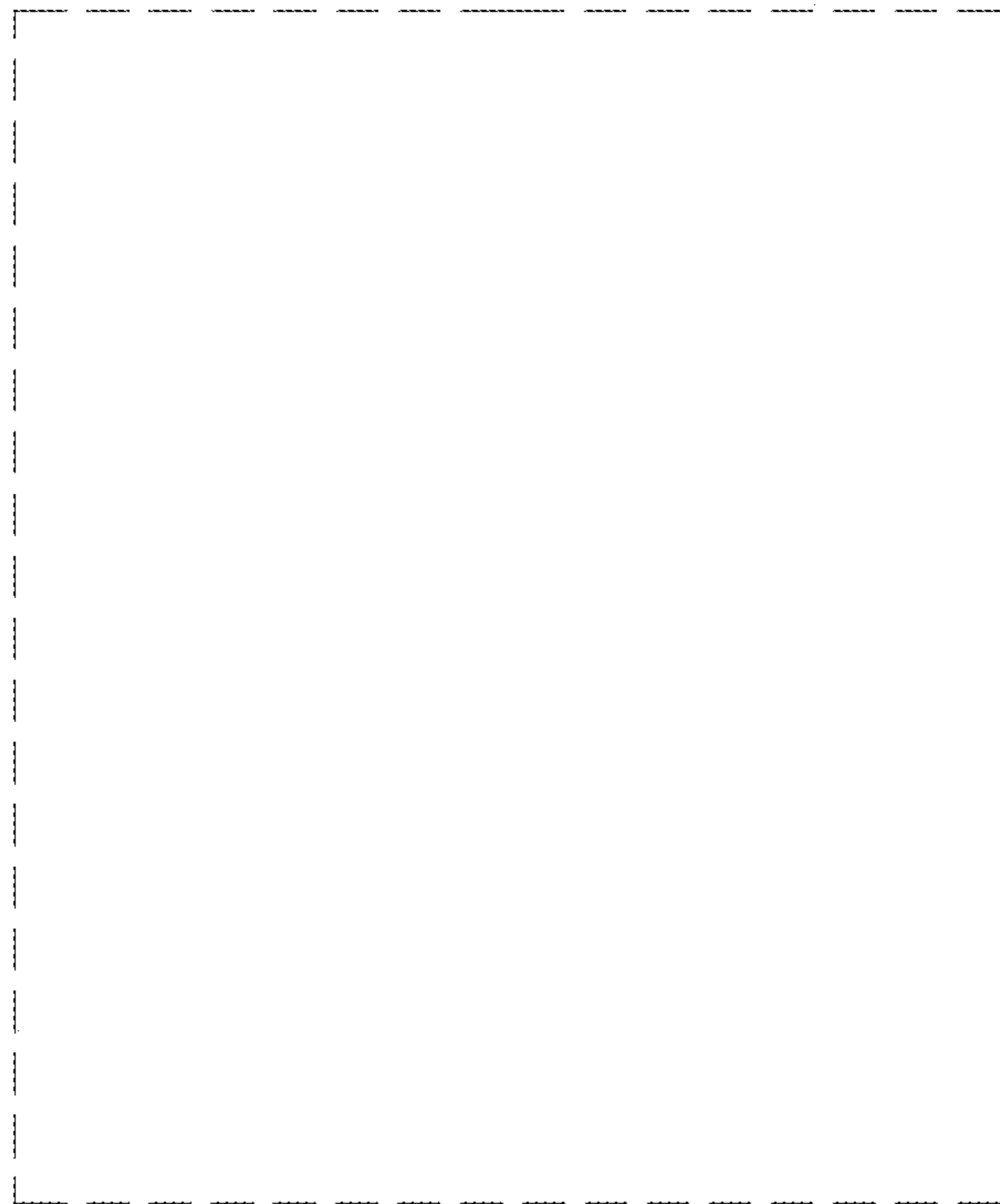


FIG. 4

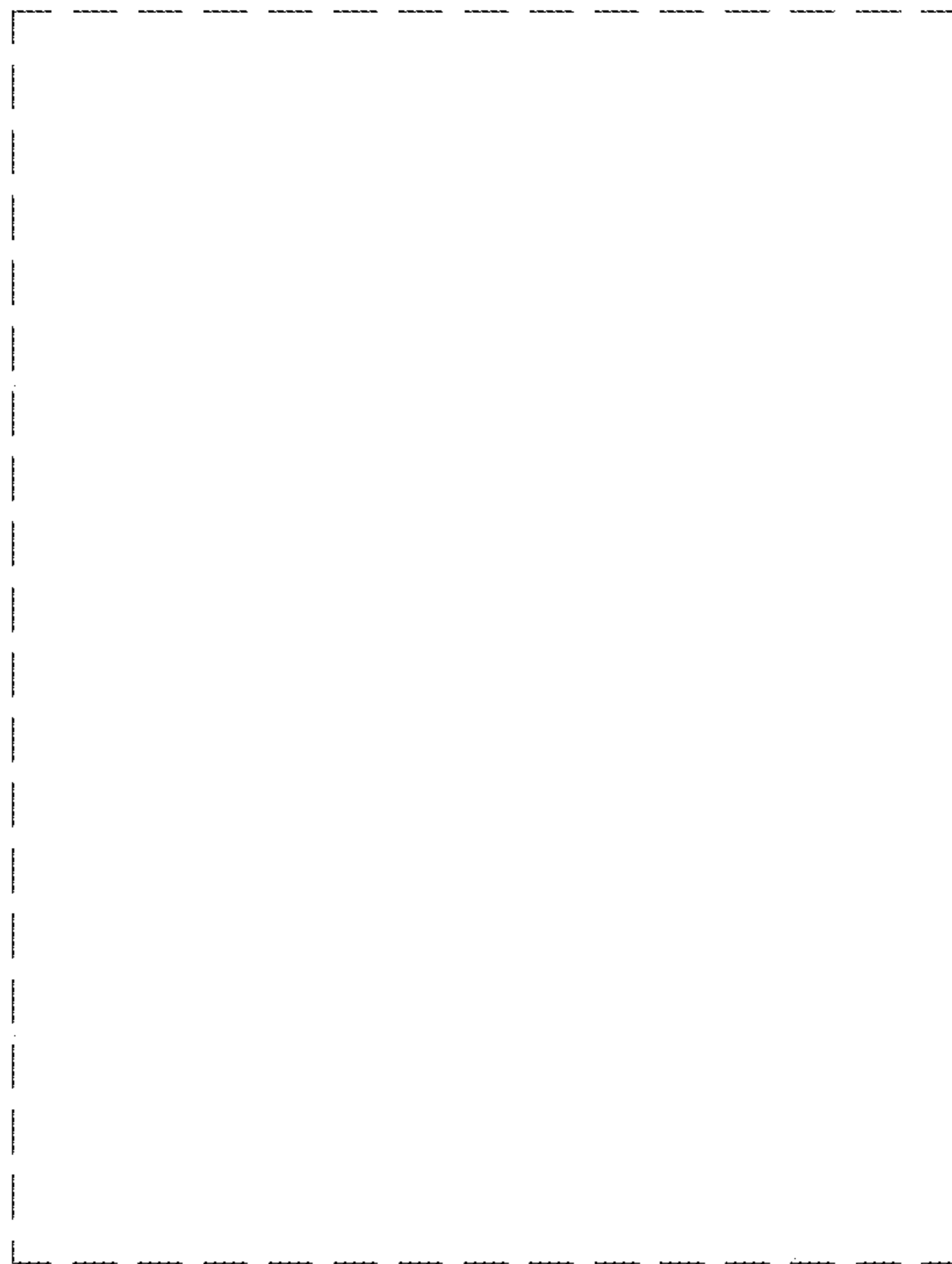


FIG. 5

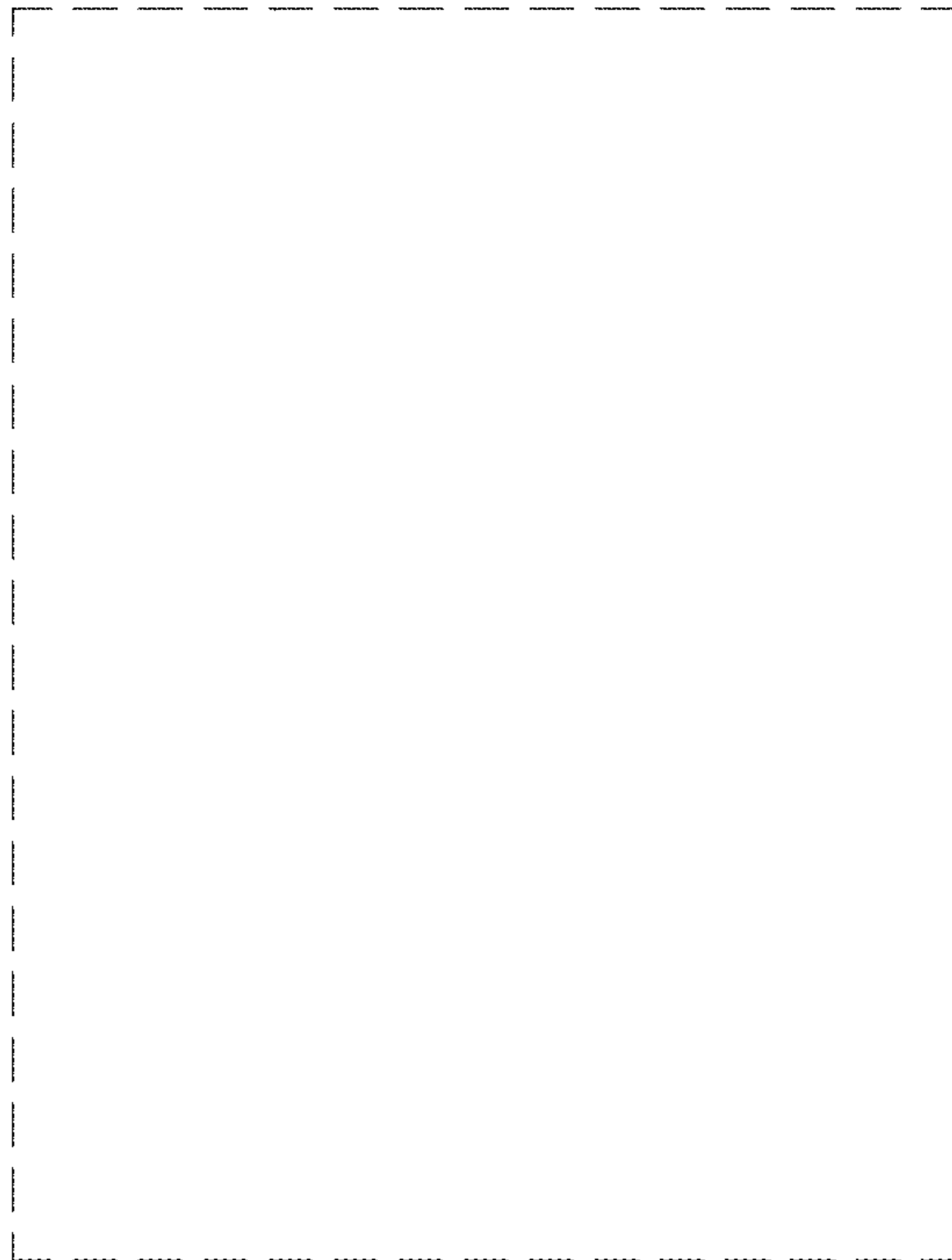


FIG. 6

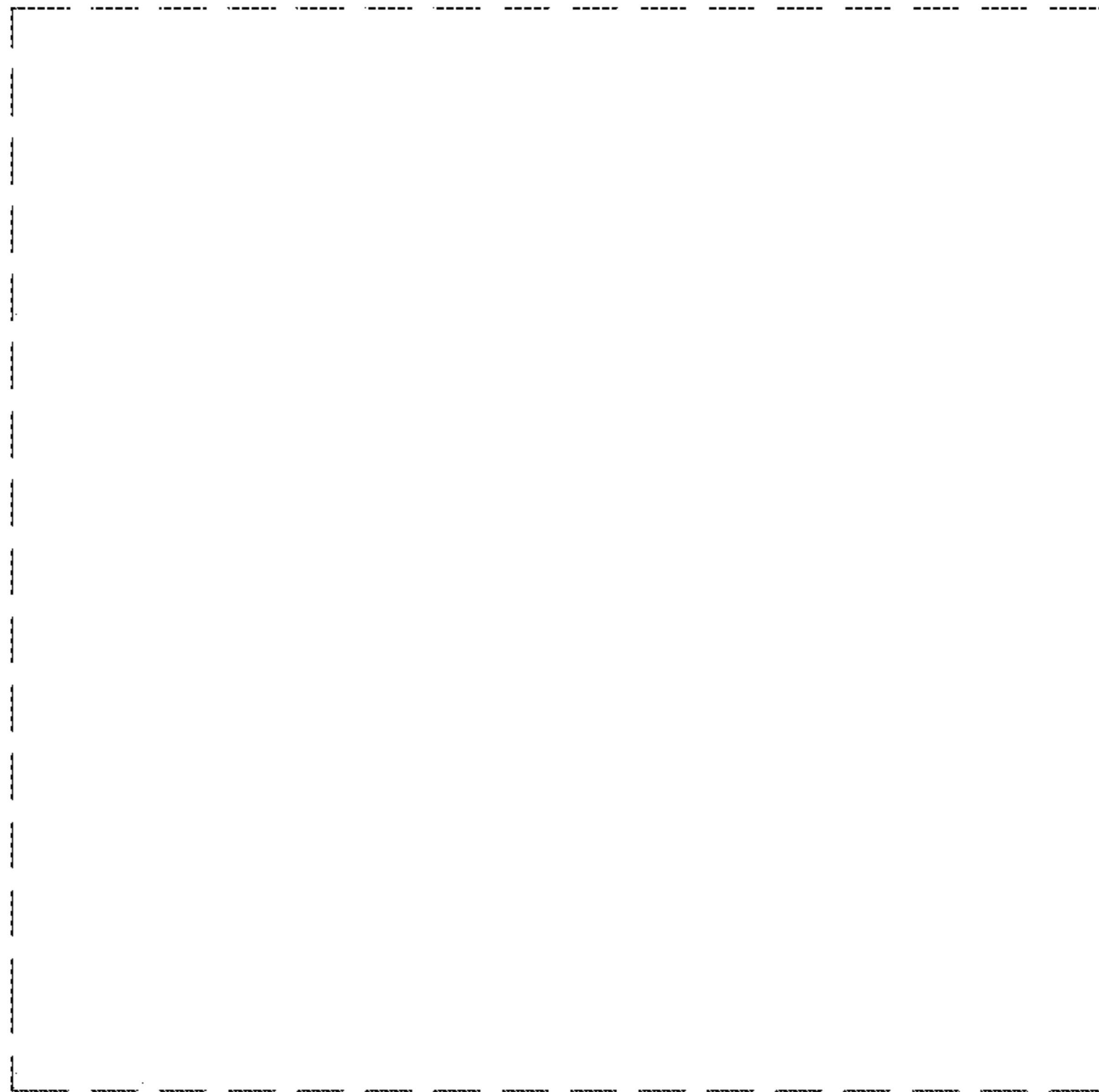


FIG. 7

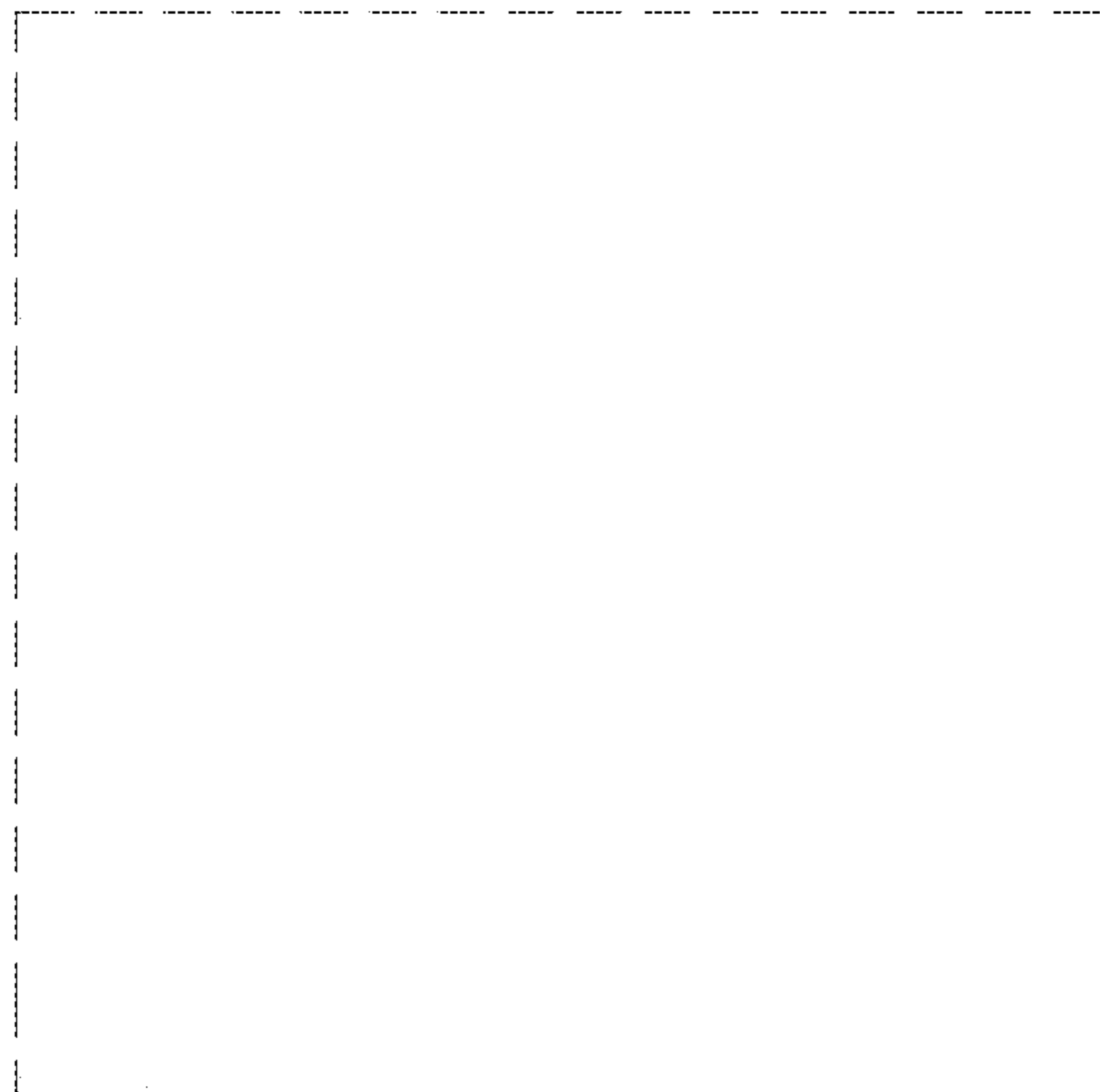


FIG. 8

