



US00D979445S

(12) **United States Design Patent** (10) **Patent No.:** **US D979,445 S**  
**Wu** (45) **Date of Patent:** **\*\* Feb. 28, 2023**

(54) **WATCHBAND**

(71) Applicant: **Shenzhen Zhongzhi Chuangxin Industrial Co., Ltd., Shenzhen (CN)**

(72) Inventor: **Nianjiao Wu, Shenzhen (CN)**

(\*\*) Term: **15 Years**

(21) Appl. No.: **29/833,112**

(22) Filed: **Apr. 1, 2022**

(51) **LOC (14) Cl.** ..... **11-01**

(52) **U.S. Cl.**  
USPC ..... **D11/3; D14/344**

(58) **Field of Classification Search**  
USPC .... D11/1-25, 86, 87, 93, 94, 234, 235, 231;  
224/164, 175; 600/301; D10/30-39, 70,  
D10/46; 368/282, 285; D14/344;  
D24/167, 186, 187  
CPC .... G04B 37/1486; G04B 37/16; G04B 37/18;  
G04B 37/00; A44C 5/14; A44C 5/0053;  
A44C 5/0069; A44C 5/0076; A44C 5/00;  
A44C 5/0007; A44C 5/0015; A44C  
5/0023; A44C 5/003; A44C 5/0061; A44C  
5/12; A44C 5/147; A44C 5/18; A44C  
5/185; A44C 5/2047; A44C 5/2052; A44B  
11/006; A44B 11/24

See application file for complete search history.

(56) **References Cited**

**U.S. PATENT DOCUMENTS**

D365,442 S \* 12/1995 Davis ..... D3/207  
D390,492 S \* 2/1998 Riley ..... D11/5  
D432,446 S \* 10/2000 Santos ..... D11/5  
7,004,469 B2 \* 2/2006 von Goeben ..... A63B 69/004  
273/348  
D655,497 S \* 3/2012 Stanley ..... D3/218  
D729,652 S \* 5/2015 Nuovo ..... D10/70  
D731,346 S \* 6/2015 Akana ..... D11/3  
D737,156 S \* 8/2015 Akana ..... D10/70  
D739,780 S \* 9/2015 Akana ..... D11/3

D749,450 S \* 2/2016 Akana ..... D11/86  
D751,070 S \* 3/2016 Akana ..... D14/344  
D755,070 S \* 5/2016 Akana ..... D11/5  
D756,823 S \* 5/2016 Akana ..... D10/70  
D764,340 S \* 8/2016 Akana ..... D11/3

(Continued)

**FOREIGN PATENT DOCUMENTS**

CN 306628010 \* 6/2021  
CN 307300749 \* 4/2022  
CN 307324279 \* 5/2022

**OTHER PUBLICATIONS**

NNHF [online] URL: <https://www.amazon.com/NNHF-Compatible-Homemade-Sports-Retractable/dp/B08DN7N27S?th=1> (site visited: Aug. 12, 2022) (Year: 2020).\*

(Continued)

*Primary Examiner* — Jae Liang  
*Assistant Examiner* — Tia Ruth-Renee Polidori

(57) **CLAIM**

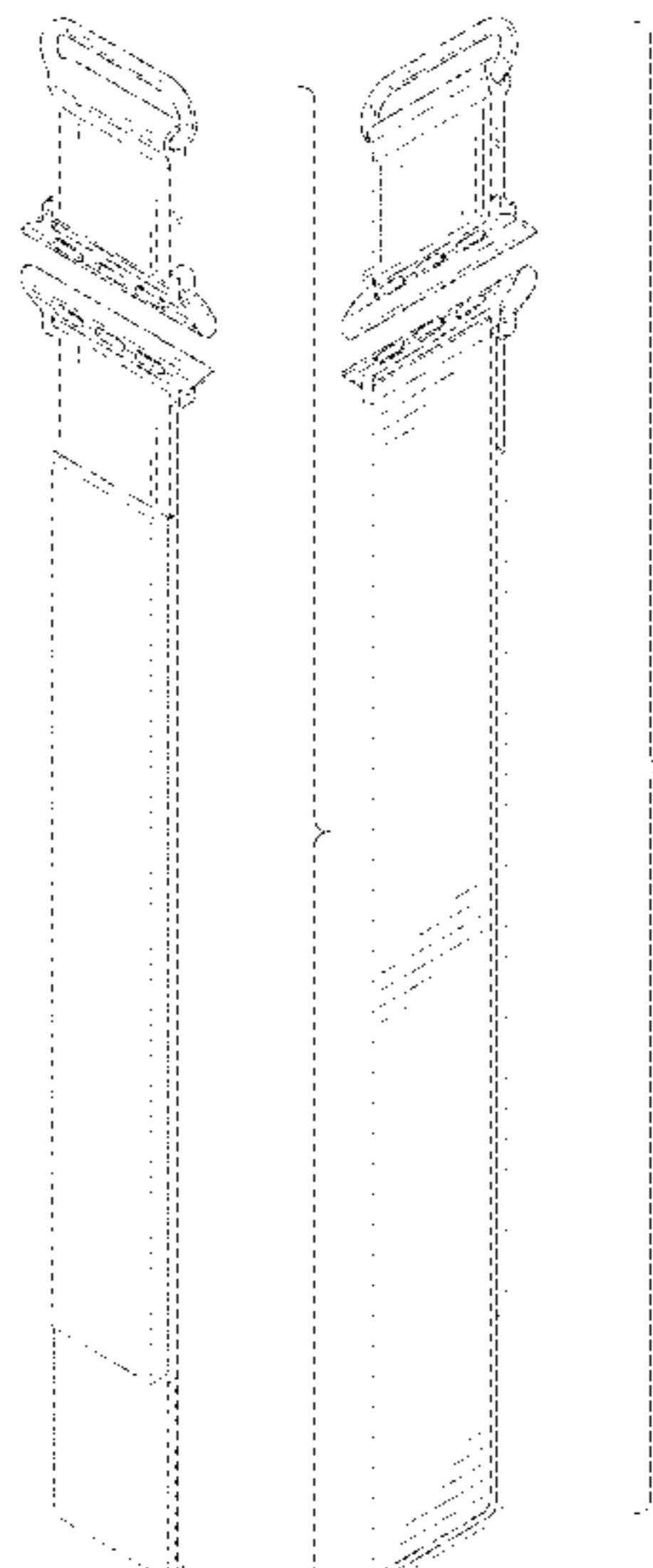
The ornamental design for a watchband, as shown and described.

**DESCRIPTION**

FIG. 1 is a front and top perspective view of a watchband, showing my new design;  
FIG. 2 is a rear and bottom perspective view thereof;  
FIG. 3 is a front elevation view thereof;  
FIG. 4 is a rear elevation view thereof;  
FIG. 5 is a left side elevation view thereof;  
FIG. 6 is a right side elevation view thereof;  
FIG. 7 is a top plan view thereof;  
FIG. 8 is a bottom plan view thereof; and,  
FIG. 9 is another perspective view thereof, shown in an alternative position.

The broken lines in the figures illustrate portions of the watchband that form no part of the claimed design.

**1 Claim, 9 Drawing Sheets**



(56)

**References Cited**

## U.S. PATENT DOCUMENTS

D764,341 S \* 8/2016 Akana ..... D11/3  
D764,967 S \* 8/2016 Akana ..... D11/94  
D786,127 S \* 5/2017 Akana ..... D11/94  
D815,972 S \* 4/2018 Akana ..... D11/3  
D830,887 S \* 10/2018 Akana ..... D11/94  
D834,446 S \* 11/2018 Akana ..... D11/94  
D853,881 S \* 7/2019 Akana ..... D11/3  
D857,543 S \* 8/2019 Sirichai ..... D11/3  
D865,536 S \* 11/2019 Akana ..... D14/344  
D873,695 S \* 1/2020 Chen ..... D11/3  
D883,838 S \* 5/2020 Deng ..... D11/3  
D883,839 S \* 5/2020 Deng ..... D11/3  
D902,769 S \* 11/2020 Riot ..... D14/344  
D904,920 S \* 12/2020 Harms ..... D14/344  
D921,516 S 6/2021 Ouyang  
D934,101 S \* 10/2021 Akana ..... D11/13  
D940,583 S \* 1/2022 Akana ..... D11/5  
D955,255 S \* 6/2022 Cai ..... D11/3  
2019/0029372 A1 \* 1/2019 Zhang ..... A44C 5/0015  
2019/0029373 A1 \* 1/2019 Shaffer ..... A44C 5/14

## OTHER PUBLICATIONS

Buran [online] URL: <https://www.buran01.com/en/170@Klett-01/Watch-Band-Klettarmband-Sport-Dornschieße-Nylon-rot.htm> (site visited: Aug. 12, 2022) (Year: 2022).\*

\* cited by examiner

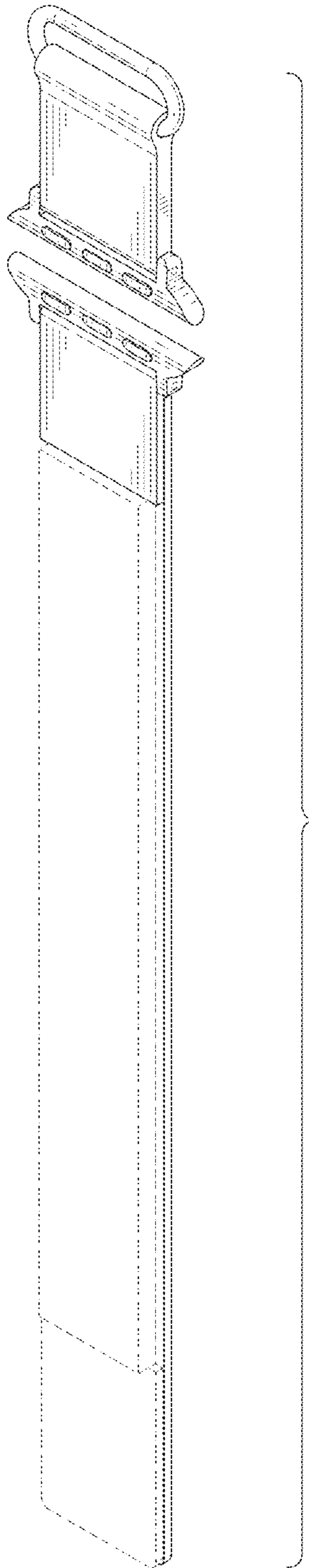


FIG. 1

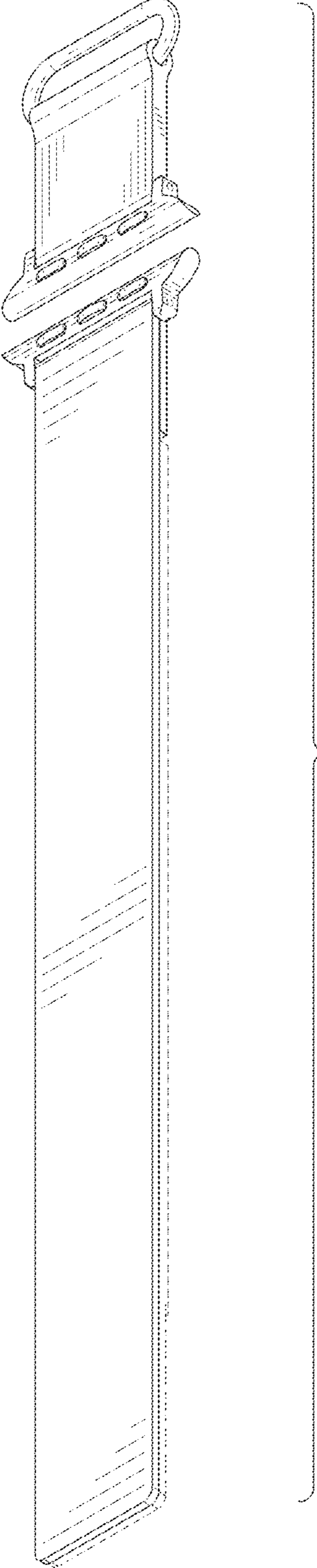


FIG. 2

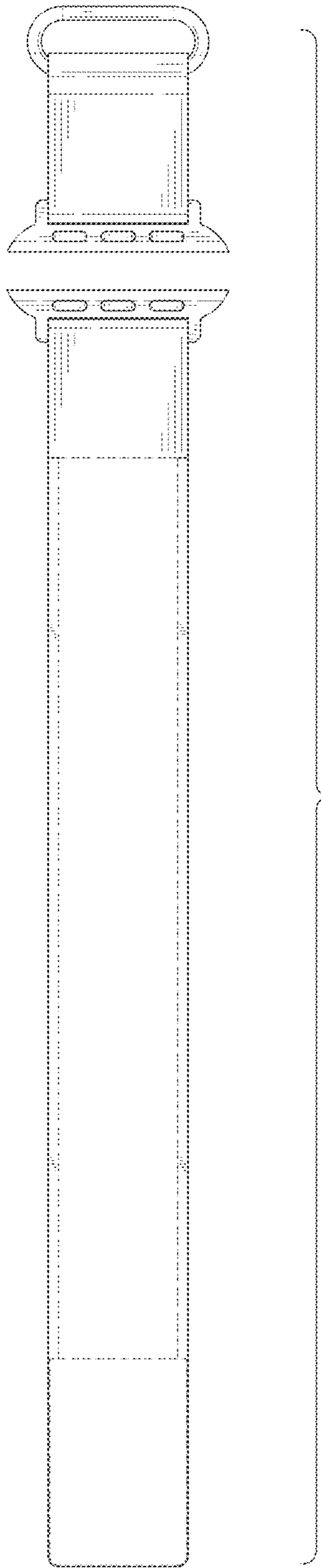


FIG. 3

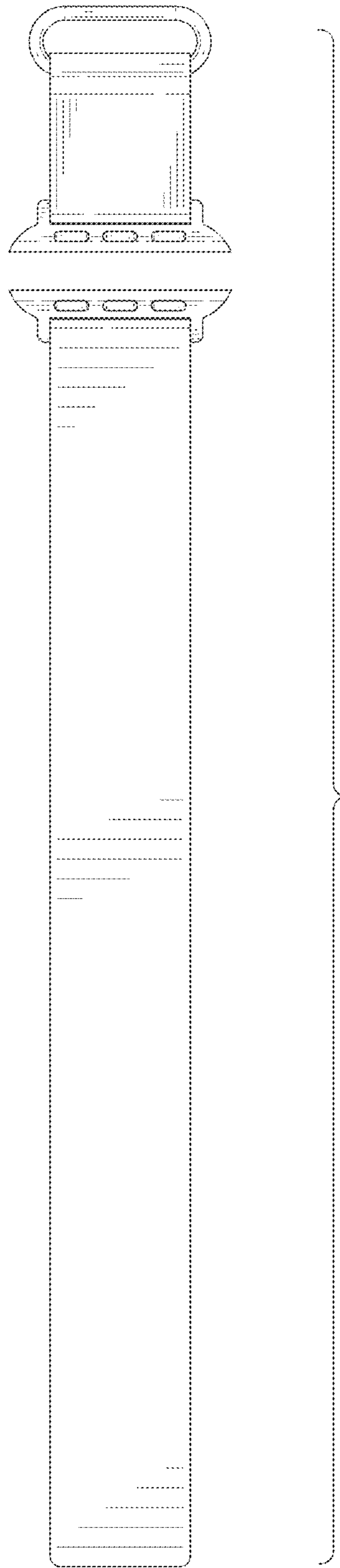


FIG. 4

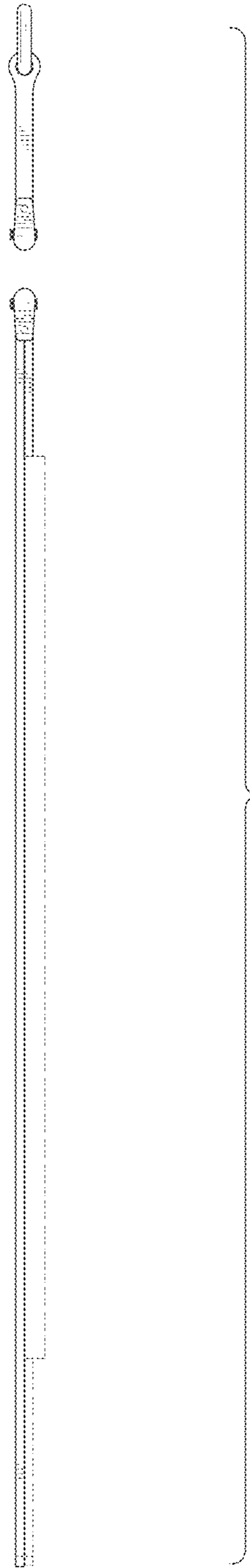


FIG. 5

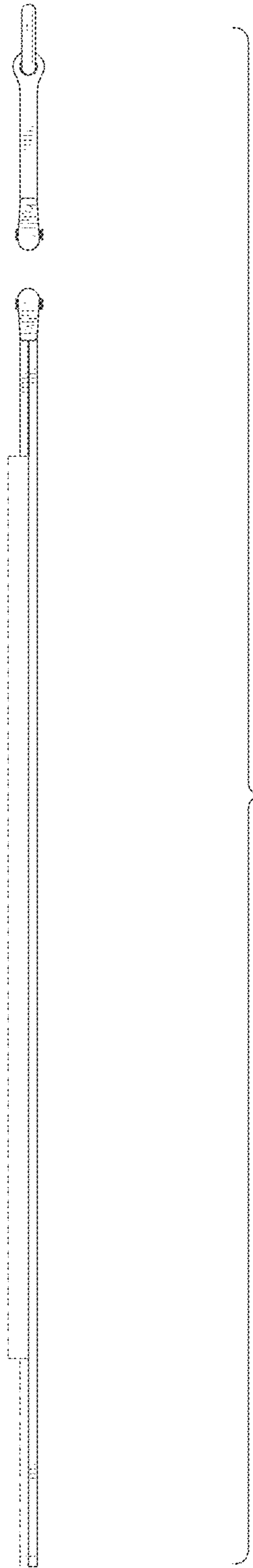


FIG. 6



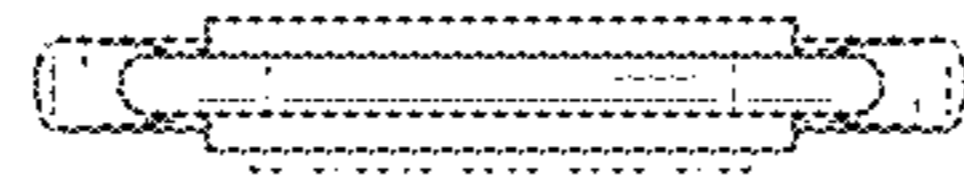


FIG. 7

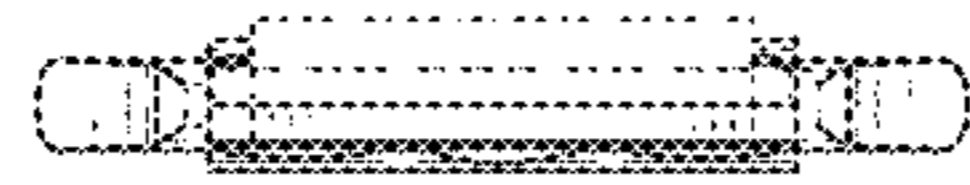


FIG. 8

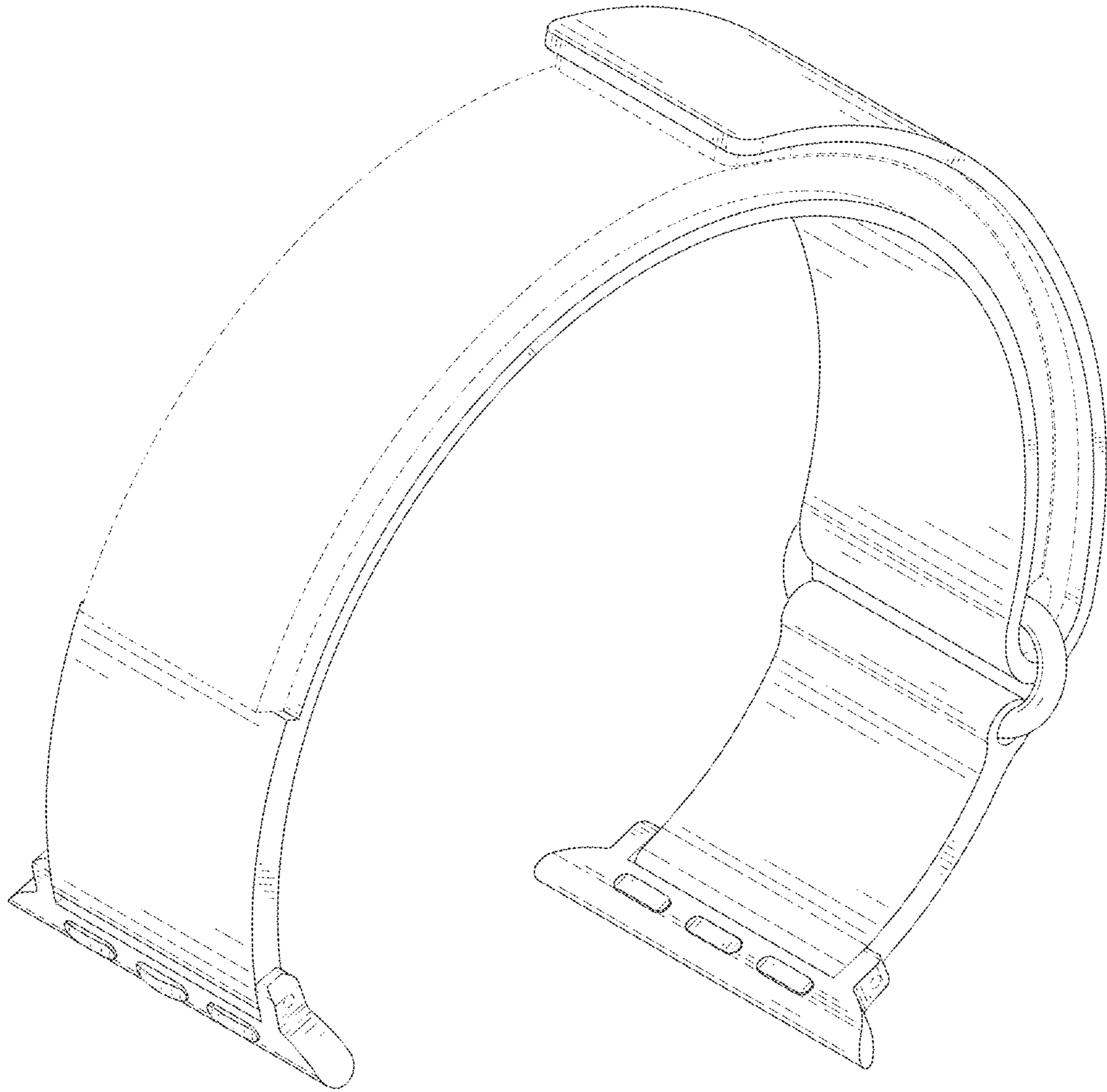


FIG. 9