



US00D979444S

(12) **United States Design Patent** (10) **Patent No.:** **US D979,444 S**
Ye (45) **Date of Patent:** **** Feb. 28, 2023**

(54) **WATCH STRAP**

D727,197 S * 4/2015 Akana D11/3
D737,157 S * 8/2015 Akana D10/70
D738,250 S 9/2015 Cerrato

(71) Applicant: **SHENZHEN ZHONGSHENGDA
SILICA GEL PRODUCTS CO., LTD,**
Shenzhen (CN)

(Continued)

(72) Inventor: **Dasheng Ye, Sanming (CN)**

CN 306372991 * 3/2021
CN 306459169 * 4/2021

(73) Assignee: **SHENZHEN ZHONGSHENGDA
SILICA GEL PRODUCTS CO., LTD,**
Shenzhen (CN)

(Continued)

FOREIGN PATENT DOCUMENTS

(**) Term: **15 Years**

(21) Appl. No.: **29/831,771**

Arcbiutu [online] URL: <https://www.amazon.com/Arcbiutu-Compatible-Replacement-Silicone-iWatch/dp/B092ZSB6JR> (site visited: Aug. 24, 2022) (Year: 2021).*

(22) Filed: **Mar. 23, 2022**

(Continued)

(51) **LOC (14) Cl.** **11-01**

(52) **U.S. Cl.**
USPC **D11/3; D14/344**

Primary Examiner — Jae Liang
Assistant Examiner — Tia Ruth-Renee Polidori

(58) **Field of Classification Search**
USPC D11/1–25, 86, 87, 93, 94, 234, 235, 231;
224/164, 175; 600/301; D10/30–39, 70,
D10/46; 368/282, 285; D14/344;
D24/167, 186, 187
CPC G04B 37/1486; G04B 37/16; G04B 37/18;
G04B 37/00; A44C 5/14; A44C 5/0053;
A44C 5/0069; A44C 5/0076; A44C 5/00;
A44C 5/0007; A44C 5/0015; A44C
5/0023; A44C 5/003; A44C 5/0061; A44C
5/12; A44C 5/147; A44C 5/18; A44C
5/185; A44C 5/2047; A44C 5/2052; A44B
11/006; A44B 11/24

(57) **CLAIM**

The ornamental design for a watch strap, as shown and described.

See application file for complete search history.

DESCRIPTION

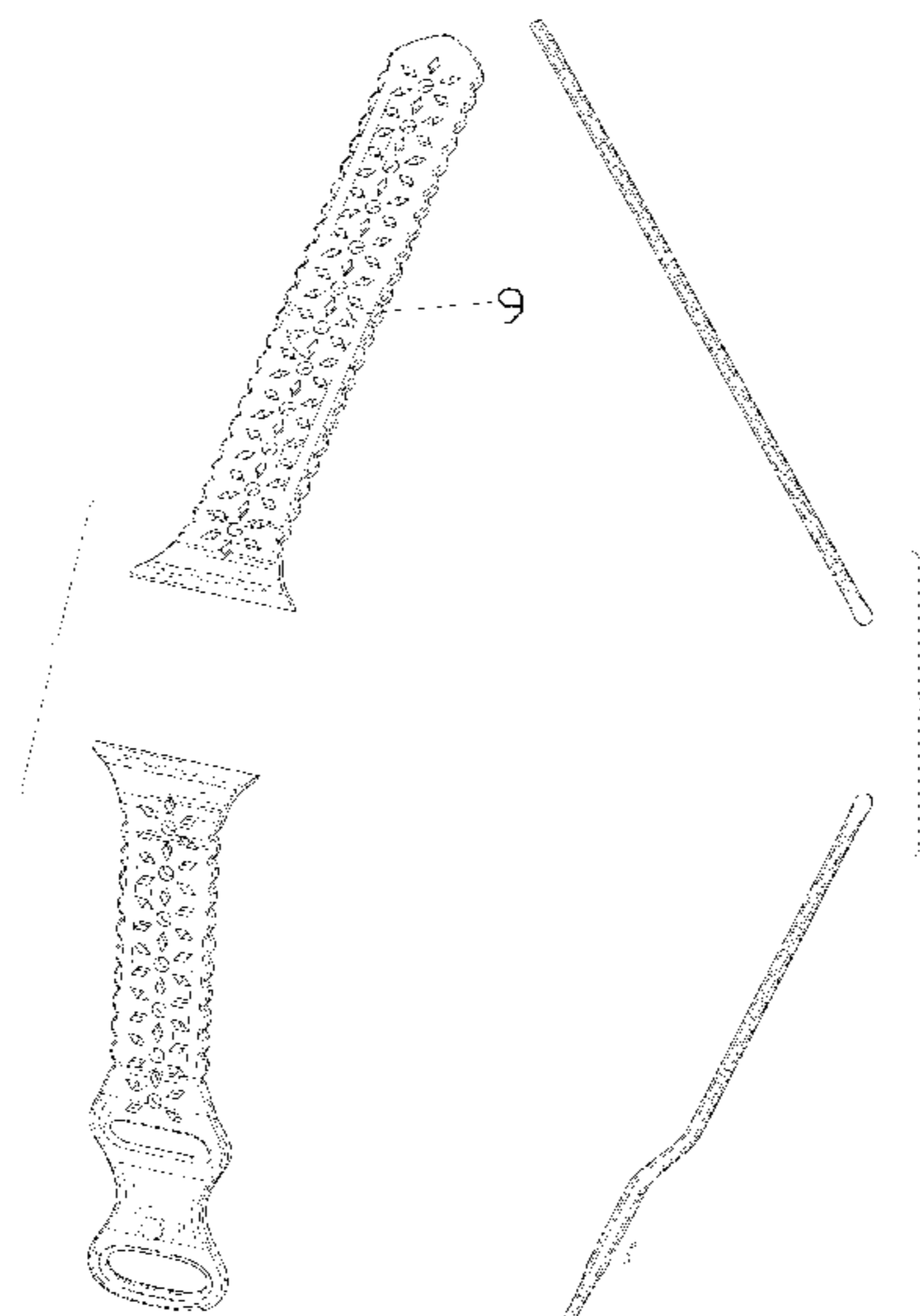
FIG. 1 is a perspective view of a watch strap showing my new design;
FIG. 2 is another perspective view thereof;
FIG. 3 is a front elevational view thereof;
FIG. 4 is a rear elevational view thereof;
FIG. 5 is a left side elevational view thereof;
FIG. 6 is a right side elevational view thereof;
FIG. 7 is a top plan view thereof;
FIG. 8 is a bottom plan view thereof; and,
FIG. 9 is an enlarged view of portion 9 shown in FIG. 1.
The dash-dash broken lines in the drawings depict portions of the watch strap that form no part of the claimed design. The dot-dash broken lines represent boundaries of the enlarged portion and form no part of the claimed design.

(56) **References Cited**

U.S. PATENT DOCUMENTS

D297,417 S * 8/1988 Asano D10/39
D349,257 S * 8/1994 Polenberg D11/3
D596,979 S * 7/2009 Fitzgerald D11/6
D711,761 S 8/2014 Savoy

1 Claim, 9 Drawing Sheets



(56)

References Cited

U.S. PATENT DOCUMENTS

D747,997 S * 1/2016 Akana D11/3
 D779,993 S * 2/2017 Akana D11/3
 D821,246 S * 6/2018 Akana D11/3
 D837,082 S * 1/2019 Akana D11/3
 D860,033 S * 9/2019 Quan D11/3
 D865,536 S * 11/2019 Akana D14/344
 D881,060 S * 4/2020 Wang D11/3
 D883,840 S * 5/2020 Schowalter D11/3
 D885,958 S * 6/2020 Akana D10/32
 D901,321 S * 11/2020 Riot D14/344
 D901,322 S * 11/2020 Riot D14/344
 D902,769 S * 11/2020 Riot D14/344
 D909,225 S * 2/2021 Riot D14/344
 D911,205 S * 2/2021 Chung D11/3
 D921,516 S * 6/2021 Ouyang D11/3
 11,033,082 B1 * 6/2021 Riot A44C 5/147
 D926,615 S * 8/2021 Li D11/3
 D938,849 S * 12/2021 Akana D11/3
 D938,850 S * 12/2021 Akana D11/3
 D940,582 S * 1/2022 Akana D11/3
 D946,446 S * 3/2022 Zheng D11/3
 D947,692 S * 4/2022 Akana D10/70

D955,257 S * 6/2022 Huang D11/3
 D955,910 S * 6/2022 Deng D10/32
 D957,977 S * 7/2022 Cao D11/3

FOREIGN PATENT DOCUMENTS

CN 307167739 * 3/2022
 CN 307178930 * 3/2022
 CN 307220996 * 4/2022
 CN 307221007 * 4/2022
 CN 307358957 * 5/2022
 CN 307395395 * 6/2022

OTHER PUBLICATIONS

Wanliss [online] URL: <https://www.amazon.com/dp/B09L86HFWQ>
 (site visited: Aug. 24, 2022) (Year: 2021).*
 Keponew [online] URL: <https://www.amazon.com/Keponew-Compatible-Apple-Watch-iWatch/dp/B09ZP666HT> (site visited: Aug. 24, 2022) (Year: 2022).*
 Lyfatz [online] URL: <https://www.amazon.com/dp/B09MQDM4VX>
 (site visited: Aug. 24, 2022) (Year: 2022).*

* cited by examiner

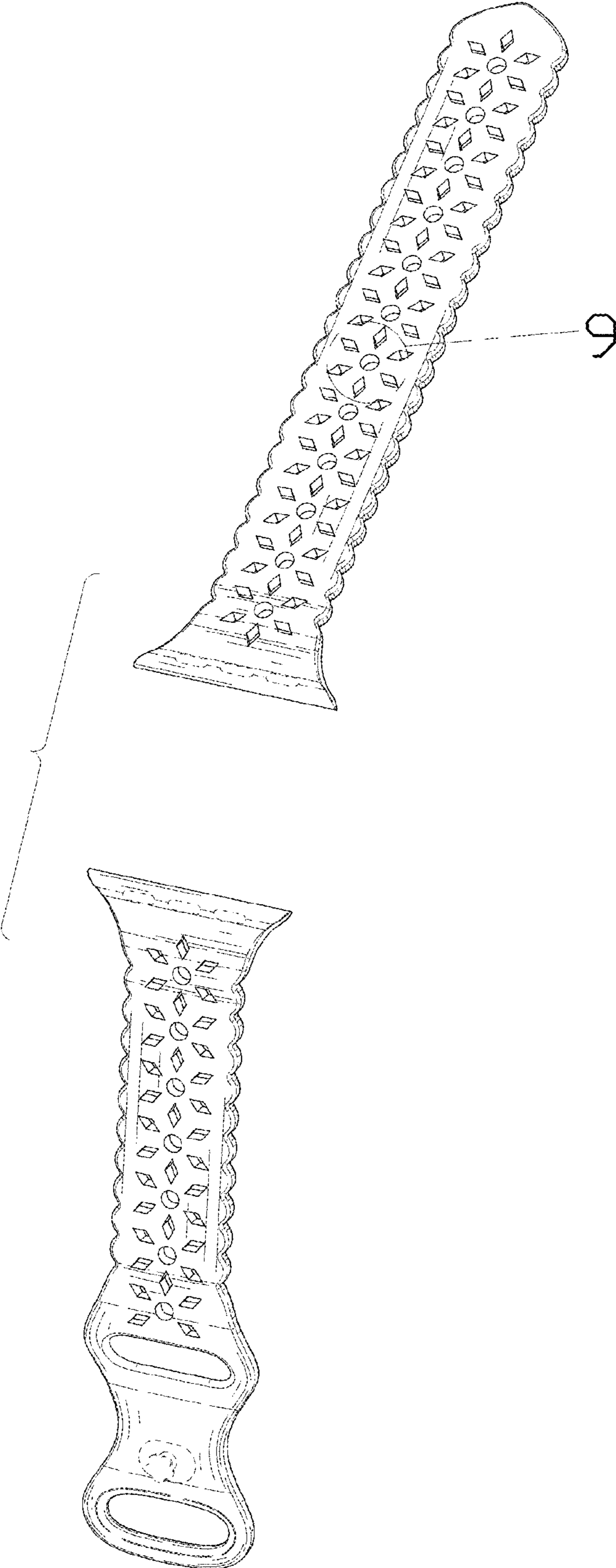


FIG. 1

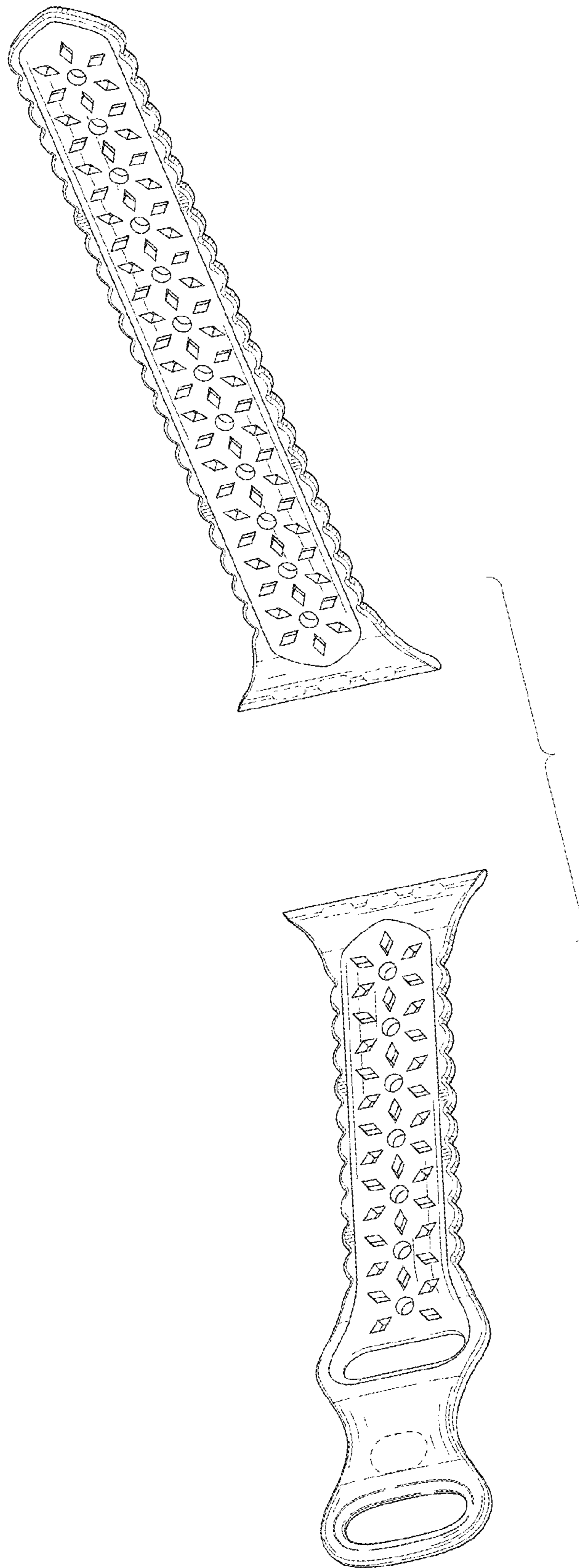


FIG. 2

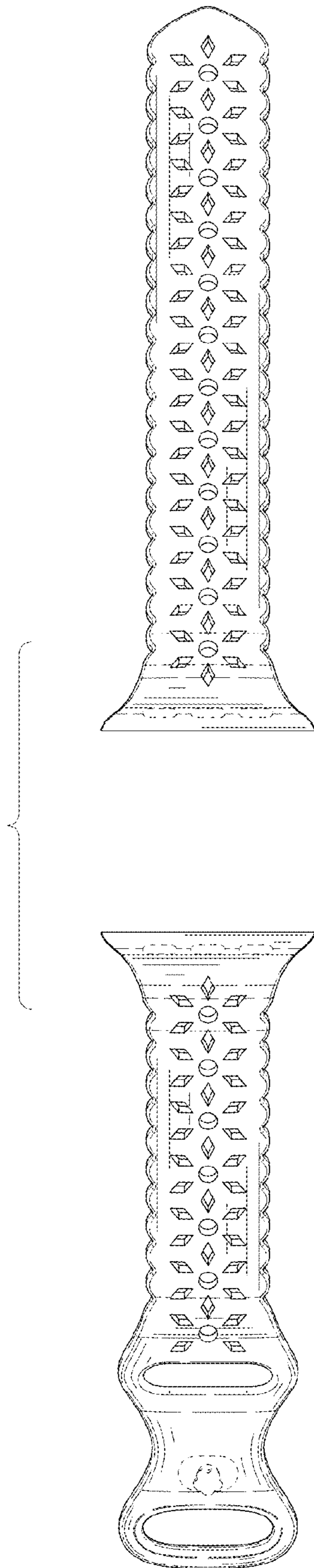


FIG. 3

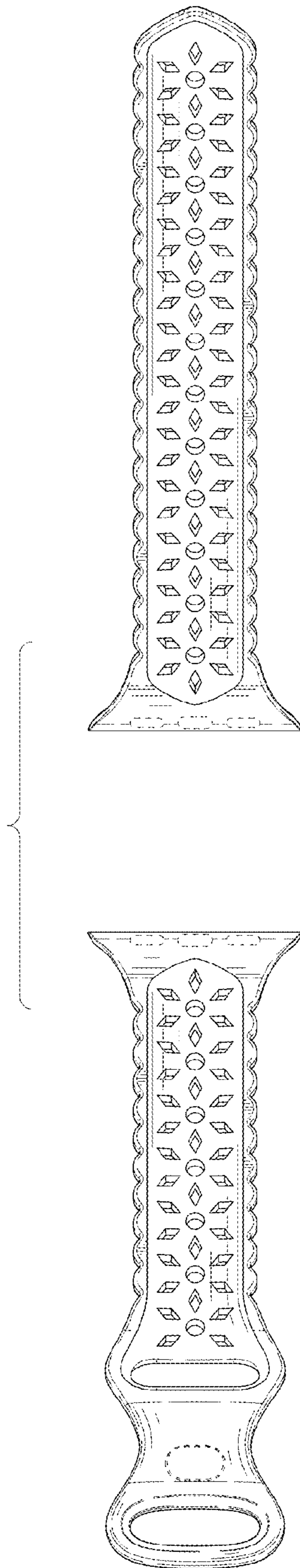


FIG. 4

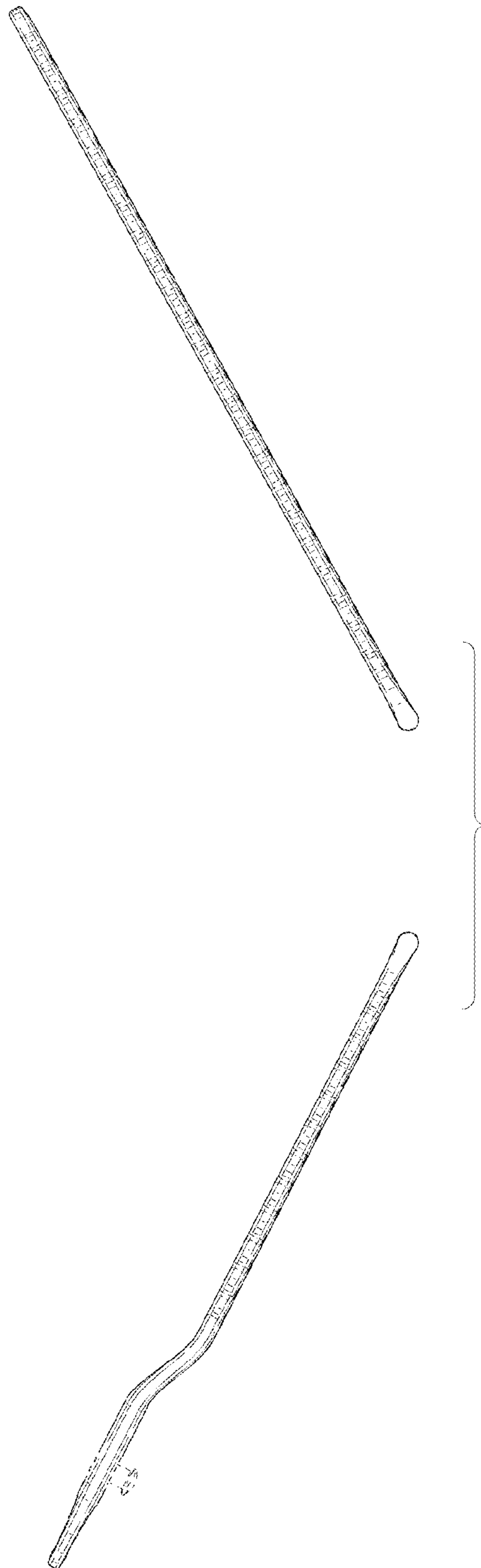


FIG. 5

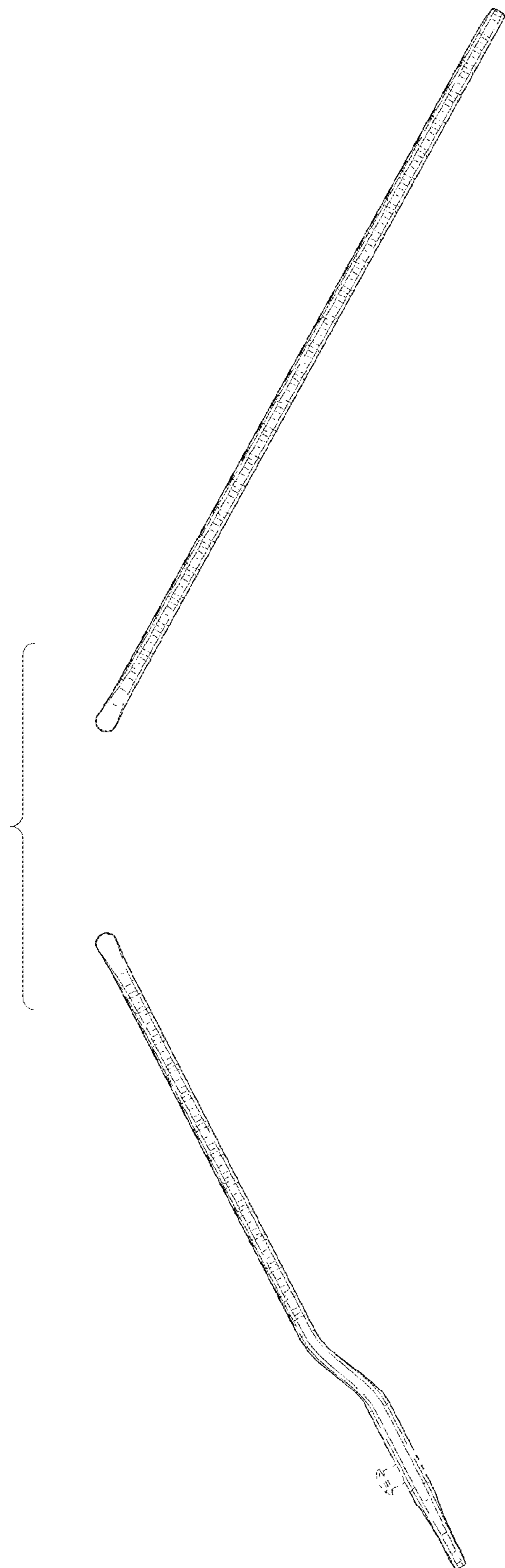


FIG. 6

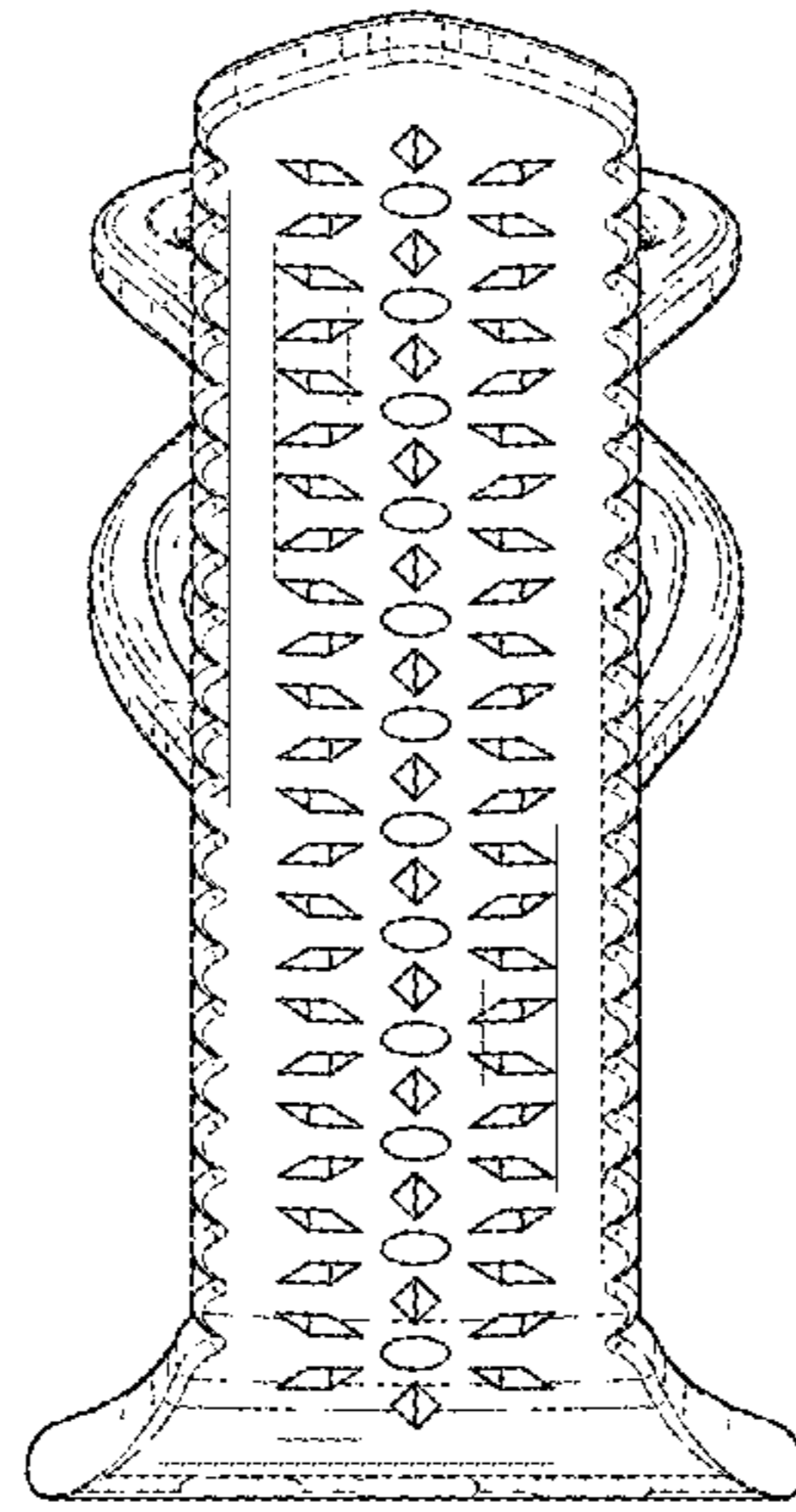


FIG. 7

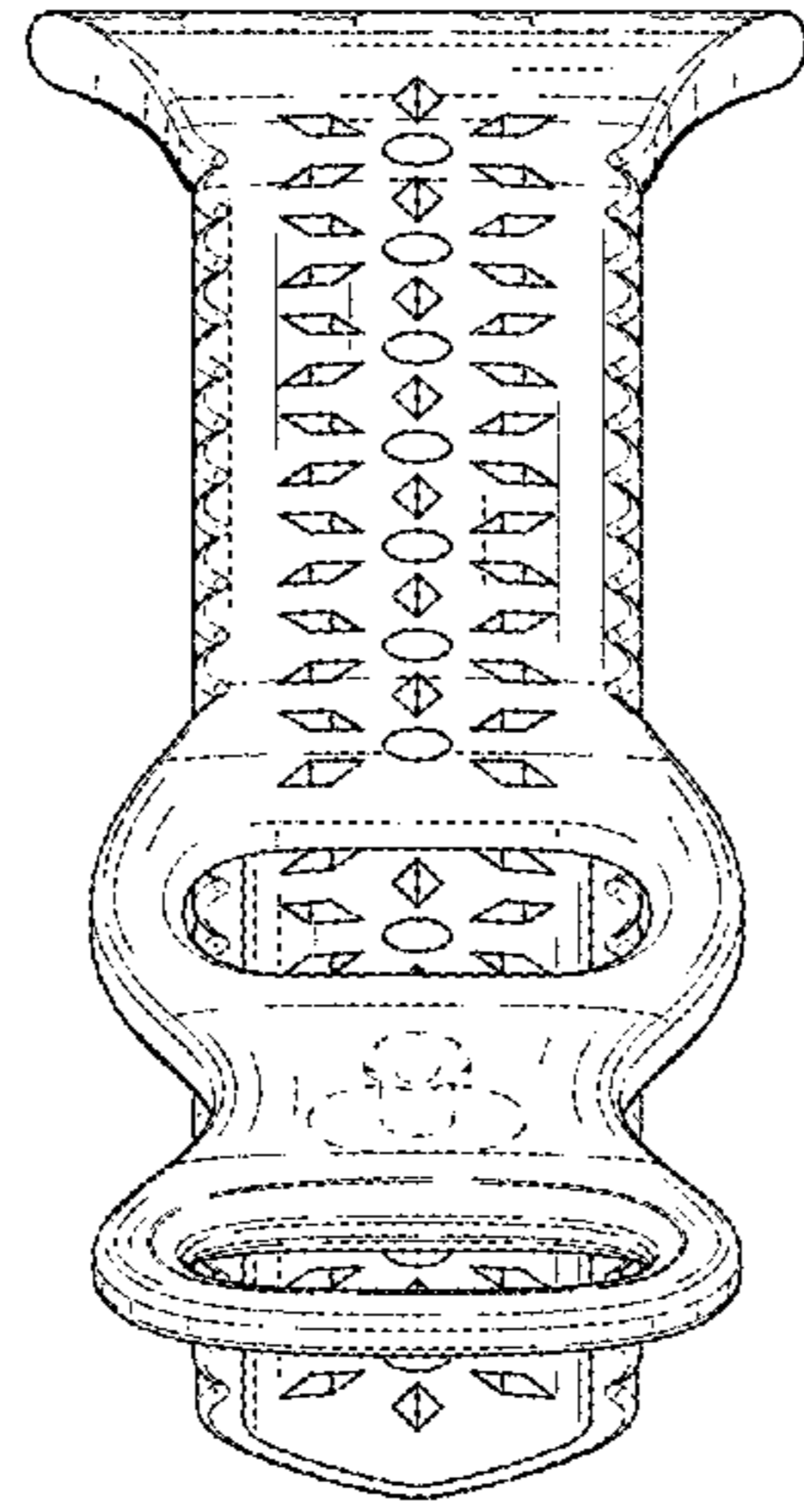


FIG. 8

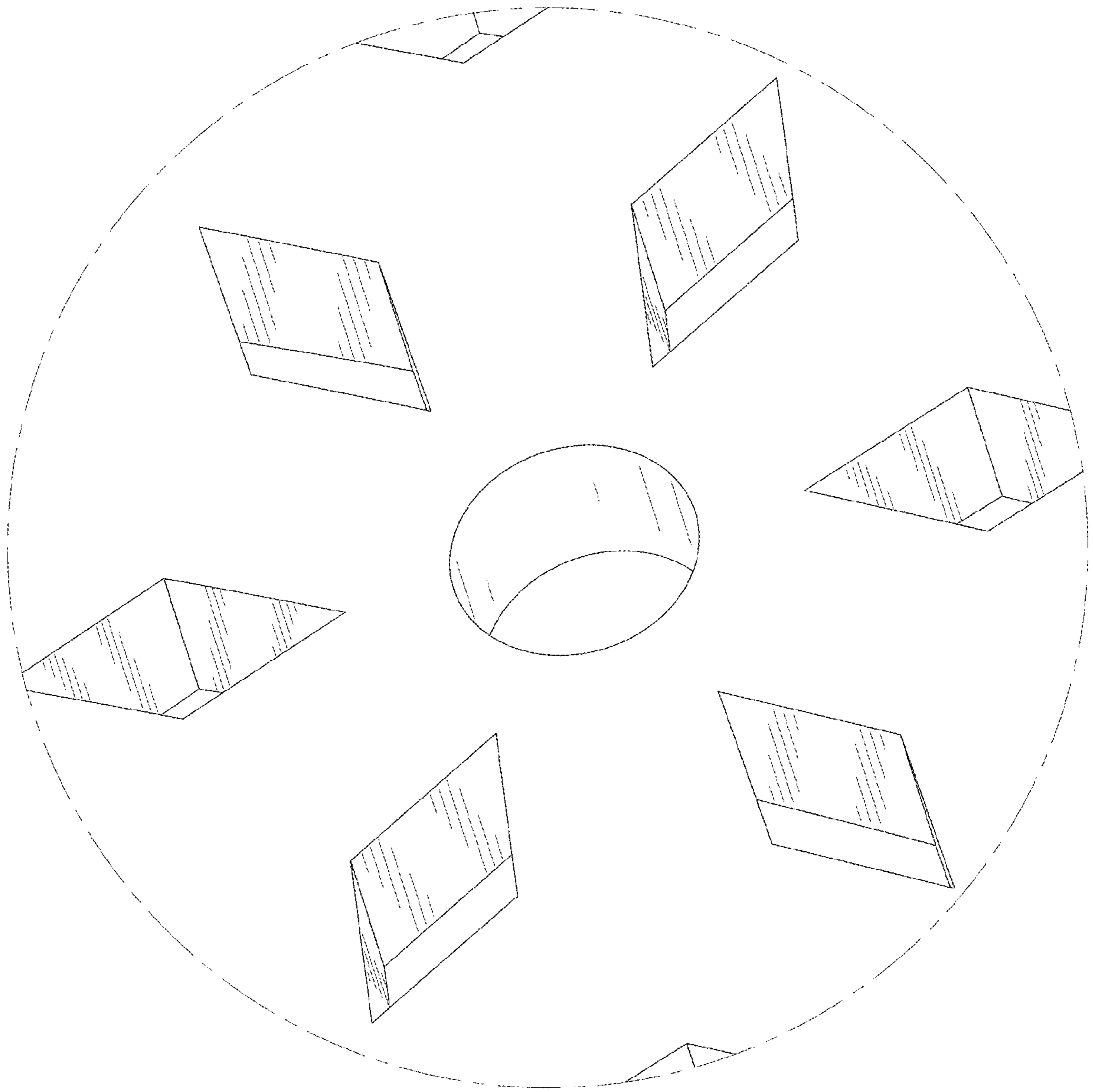


FIG. 9