

US00D979443S

(12) **United States Design Patent** (10) **Patent No.:** **US D979,443 S**
Wu (45) **Date of Patent:** **** Feb. 28, 2023**

(54) **HOLLOW-CARVED WATCHBAND**

FOREIGN PATENT DOCUMENTS

(71) Applicant: **Xilian Wu**, Jiangxi (CN)

CN 307124665 * 2/2022

(72) Inventor: **Xilian Wu**, Jiangxi (CN)

CN 307324272 * 5/2022

CN 307520860 * 8/2022

(**) Term: **15 Years**

OTHER PUBLICATIONS

(21) Appl. No.: **29/822,032**

Hollow Out [online] URL: <https://www.amazon.com/Silicone-Compatible-Hollowout-Wristband-Replacement/dp/B09NSCM5JL?th=1> (site visited: Jul. 29, 2022) (Year: 2021).*

(22) Filed: **Jan. 5, 2022**

(Continued)

(51) **LOC (14) Cl.** **11-01**

(52) **U.S. Cl.**
USPC **D11/3; D11/15**

Primary Examiner — Jae Liang

Assistant Examiner — Tia Ruth-Renee Polidori

(58) **Field of Classification Search**

USPC D11/1–25, 86, 87, 93, 94, 234, 235, 231;
224/164, 175; 600/301; D10/30–39, 70,
D10/46; 368/282, 285

CPC G04B 37/1486; G04B 37/16; G04B 37/18;
A44C 5/14; A44C 5/0053; A44C 5/0069;
A44C 5/0076; A44C 5/00; A44C 5/0007;
A44C 5/0015; A44C 5/0023; A44C
5/003; A44C 5/0061; A44C 5/12; A44C
5/147; A44C 5/18; A44C 5/185; A44C
5/2047; A44C 5/2052; A44B 11/006;
A44B 11/24

See application file for complete search history.

(57) **CLAIM**

The ornamental design for a hollow-carved watchband, as shown and described.

DESCRIPTION

FIG. 1 is a front perspective view of my new design for a hollow-carved watchband;
FIG. 2 is a front view thereof;
FIG. 3 is a rear view thereof;
FIG. 4 is a left side view thereof;
FIG. 5 is a right side view thereof;
FIG. 6 is an enlarged top view thereof;
FIG. 7 is an enlarged bottom view thereof;
FIG. 8 is an enlarged view of a portion of FIG. 2;
FIG. 9 is an enlarged view of a portion of FIG. 6;
FIG. 10 is an enlarged view of a portion of FIG. 6;
FIG. 11 is an enlarged view of a portion of FIG. 7; and,
FIG. 12 is an enlarged view of a portion of FIG. 7.
The broken lines in FIGS. 2 and 6-12 depict partial view indicia and form no part of the claimed design. The portions of the hollow-carved watchband shown in broken line form no part of the claimed design.

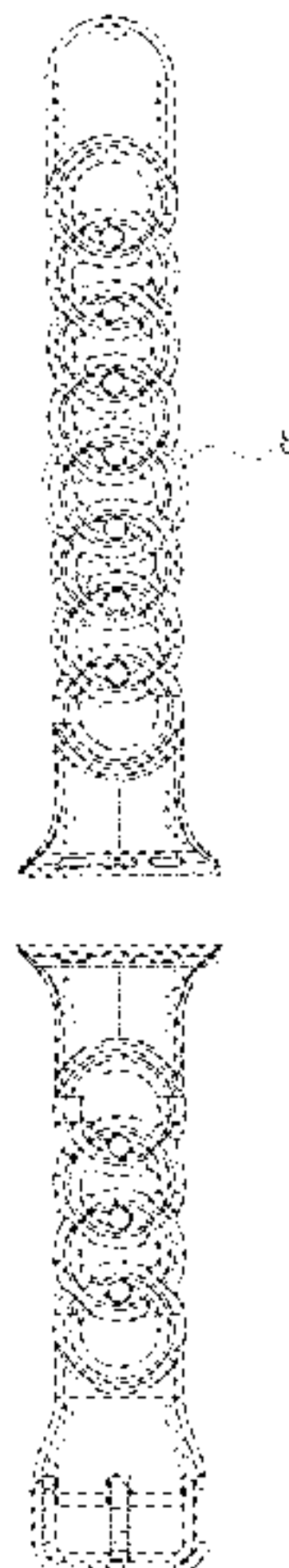
(56) **References Cited**

U.S. PATENT DOCUMENTS

757,772 A * 4/1904 Rodenberg A44C 5/08
D11/19
1,629,339 A * 5/1927 Hankinson A44C 5/0053
D10/32
2,140,491 A * 12/1938 Biedermann A44C 11/00
D11/18
D205,153 S * 6/1966 Cowan D11/94
4,056,928 A * 11/1977 de Vries A44C 11/00
59/83
D265,635 S * 8/1982 Barr D11/15
D287,705 S 1/1987 Malamoud
5,713,218 A * 2/1998 McCabe A44C 5/0053
63/3.1
D404,679 S 1/1999 Bulgari

(Continued)

1 Claim, 12 Drawing Sheets



(56)

References Cited

U.S. PATENT DOCUMENTS

D521,406 S * 5/2006 Strasser D11/22
 D624,451 S * 9/2010 Bergman D11/91
 D679,213 S 4/2013 Jamin
 D755,662 S * 5/2016 Akana D11/3
 D759,505 S * 6/2016 Harada D10/38
 D779,364 S 2/2017 Mille
 D792,795 S 7/2017 Cerrato
 D824,273 S * 7/2018 Akana D11/3
 D842,157 S 3/2019 Liu
 D848,894 S 5/2019 Yu
 D863,095 S * 10/2019 Akana D11/3
 D864,012 S * 10/2019 Chen D11/3
 D879,645 S * 3/2020 Lin D11/3
 D894,781 S 9/2020 Zhang
 D897,072 S * 9/2020 Eldridge D2/891
 D902,769 S * 11/2020 Riot D14/344
 D926,613 S 8/2021 Chao
 D938,849 S * 12/2021 Akana D11/3
 2013/0031935 A1 * 2/2013 Kelleghan A44C 5/00
 63/1.12
 2017/0188669 A1 * 7/2017 Dukerschein A44B 11/20
 2021/0386162 A1 * 12/2021 Ford A44C 5/24

OTHER PUBLICATIONS

Anne Klein [online] URL: <https://anneklein.com/products/chain-link-bracelet-band-with-premium-crystals-for-apple-watch-gold-tone> (site visited: Jul. 29, 2022) (Year: 2022).*

Hyrunhx [online] URL: <https://www.amazon.com/Silicone-Compatible-41mm42mm-Replacement-Wristband/dp/B09Y87YTYJ> (site visited: Jul. 29, 2022) (Year: 2022).*

Parkfield [online] URL: <https://www.parkfieldsupplies.com/products/silicone-chain-watch-band> (site visited: Jul. 29, 2022) (Year: 2022).*

TumpCez [online] URL: <https://www.amazon.com/TumpCez-Compatible-Breathable-Waterproof-Replacement/dp/B09YTY7C6B> (site visited: Jul. 29, 2022) (Year: 2022).*

VNDAPT [online] URL: <https://www.amazon.com/VNDAPT-Silicone-Compatible-Breathable-Wristband/dp/B09YCTVF1X?th=1> (site visited: Jul. 29, 2022) (Year: 2022).*

Walmart [online] URL: <https://www.walmart.com/ip/Slim-Silicone-Bands-Compatible-With-Apple-Watch-Band-38mm-40mm-41mm-42mm-44mm-45mm-Women-Men-Sport-Thin-Narrow-Soft-Strap-Wristbands-Circle-Chain-Des/989801115> (site visited: Jul. 29, 2022) (Year: 2022).*

Waloo [online] URL: <https://www.zulily.com/p/true-burgundy-silicone-link-looped-band-replacement-for-apple-watch-581064-104683742.html> (site visited: Oct. 6, 2022) (Year: 2022).*

* cited by examiner

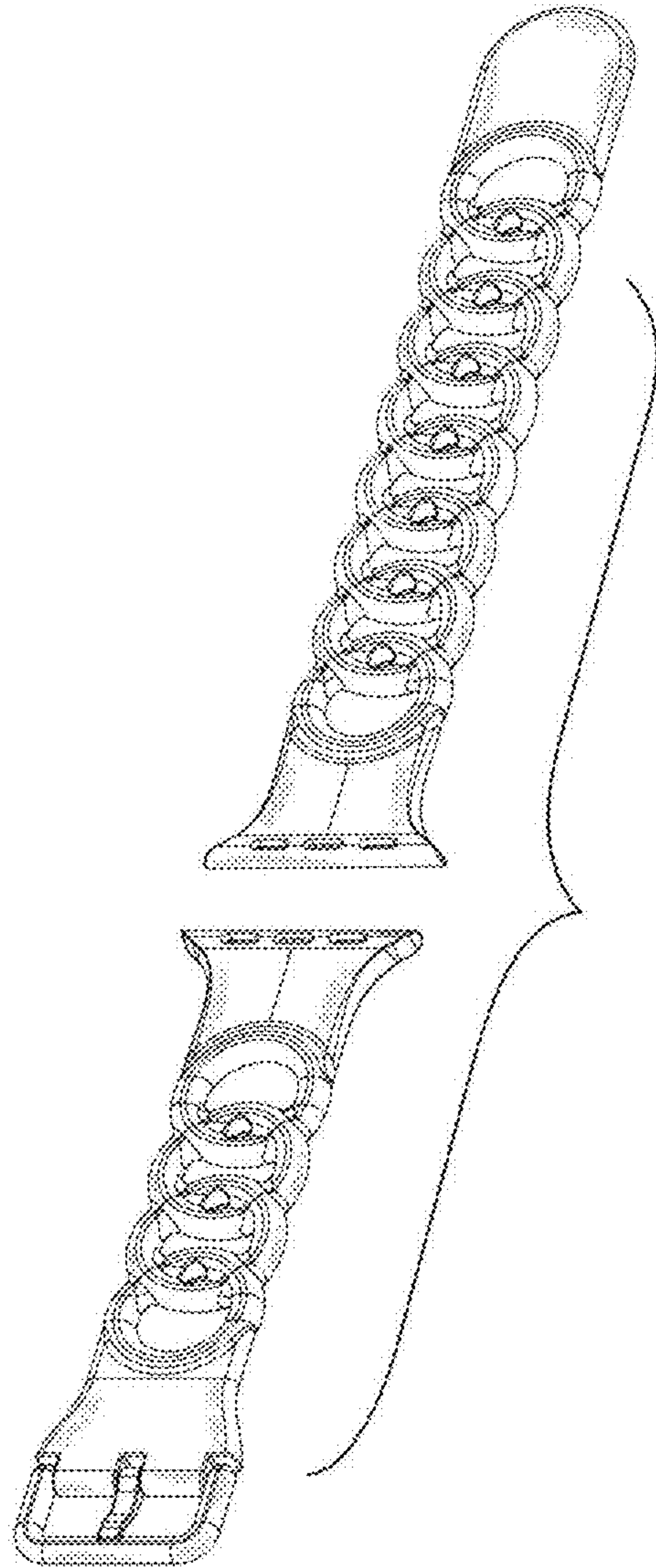


FIG. 1

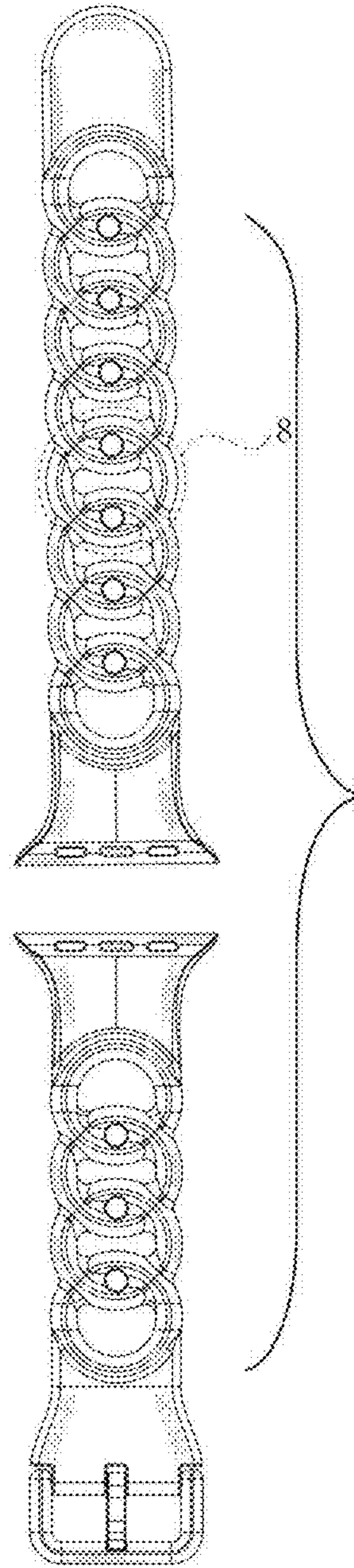


FIG. 2

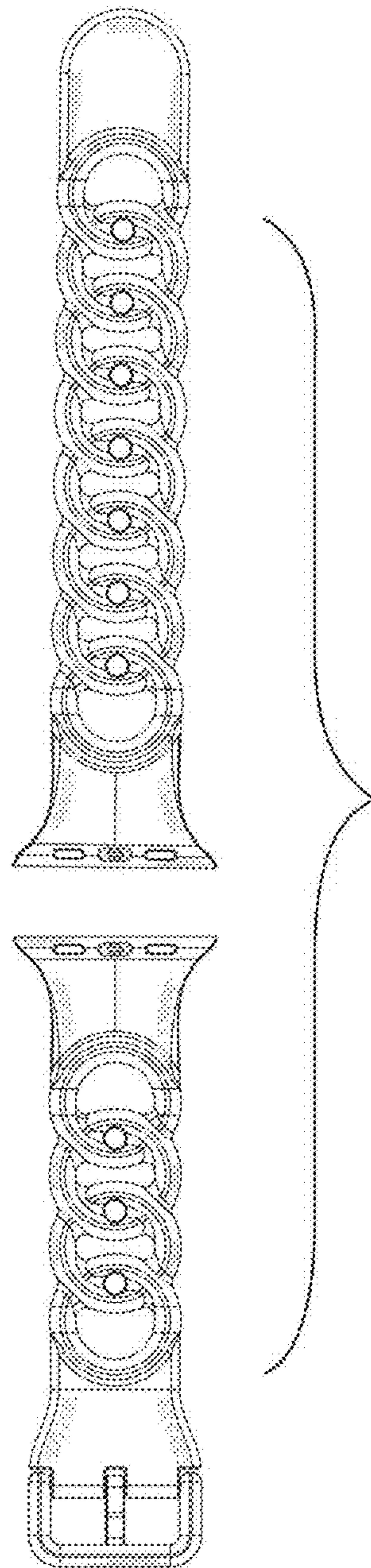


FIG. 3

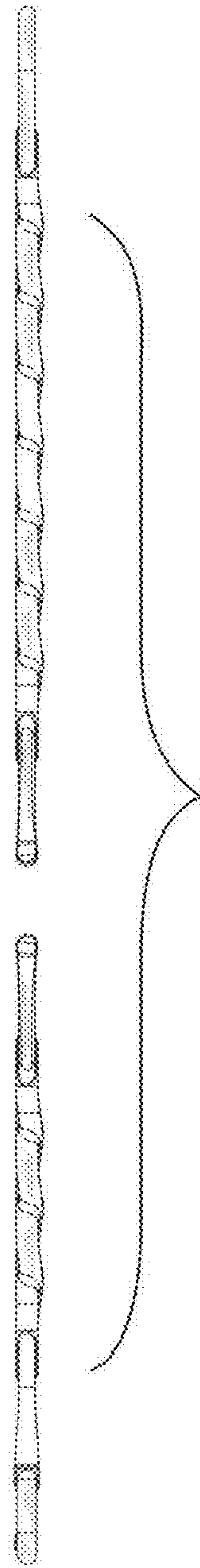


FIG. 4

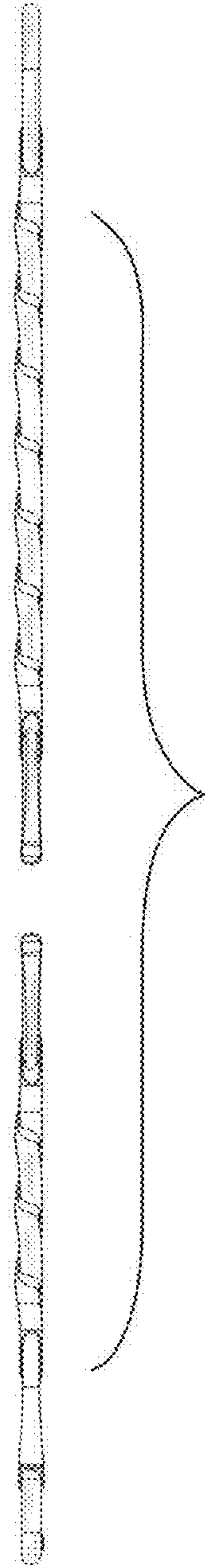


FIG. 5

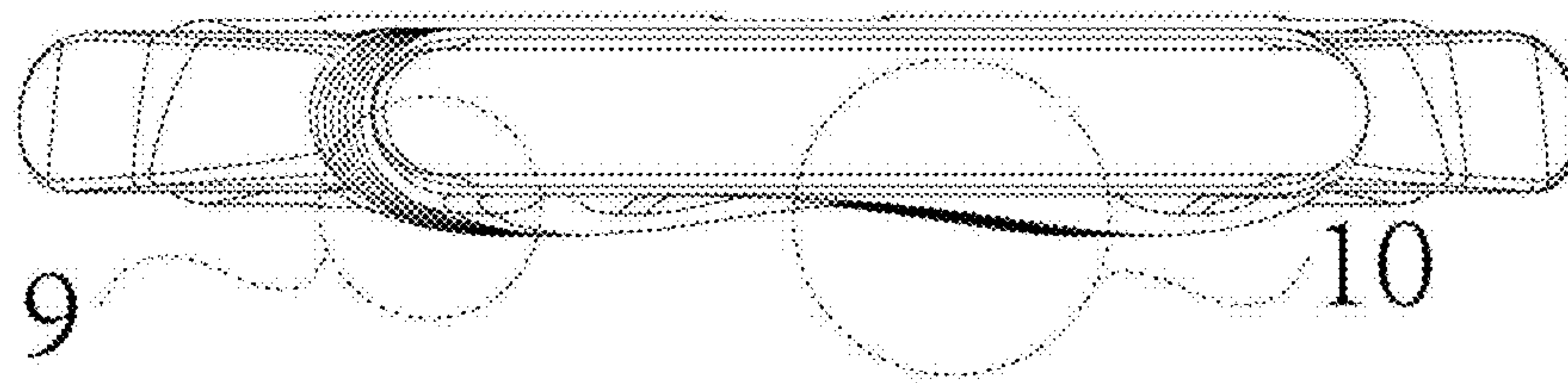


FIG. 6

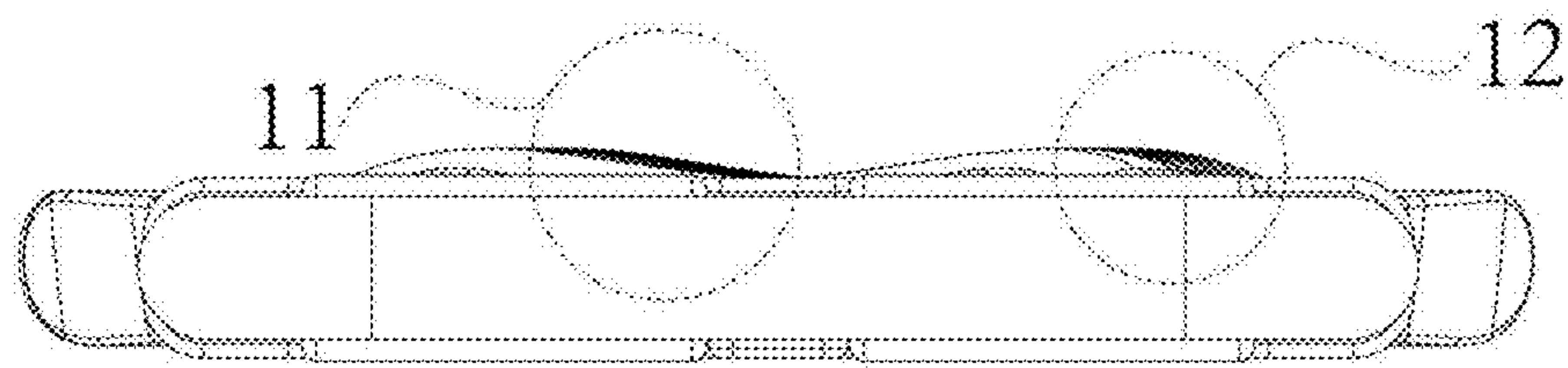


FIG. 7

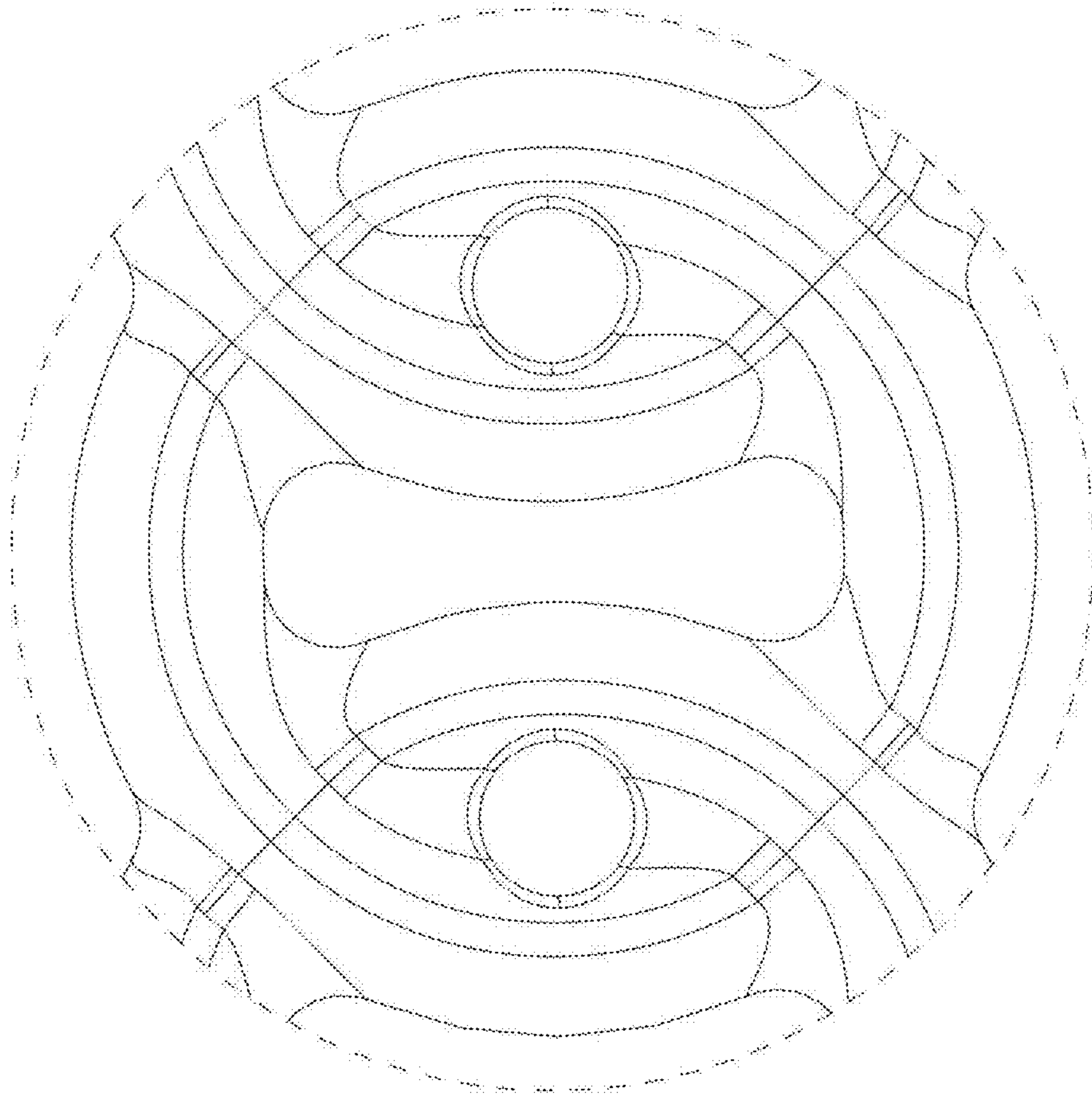


FIG. 8

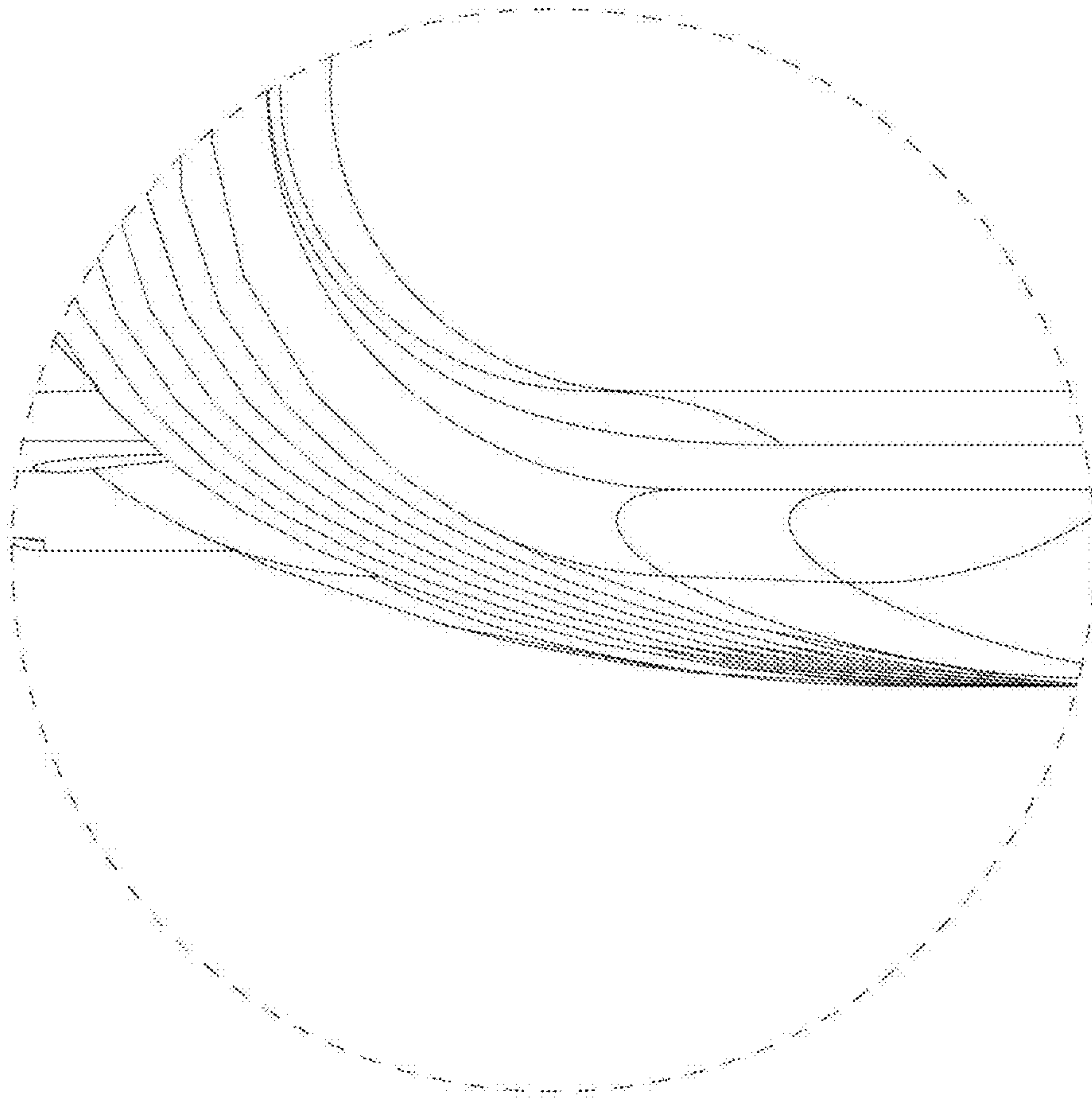


FIG. 9

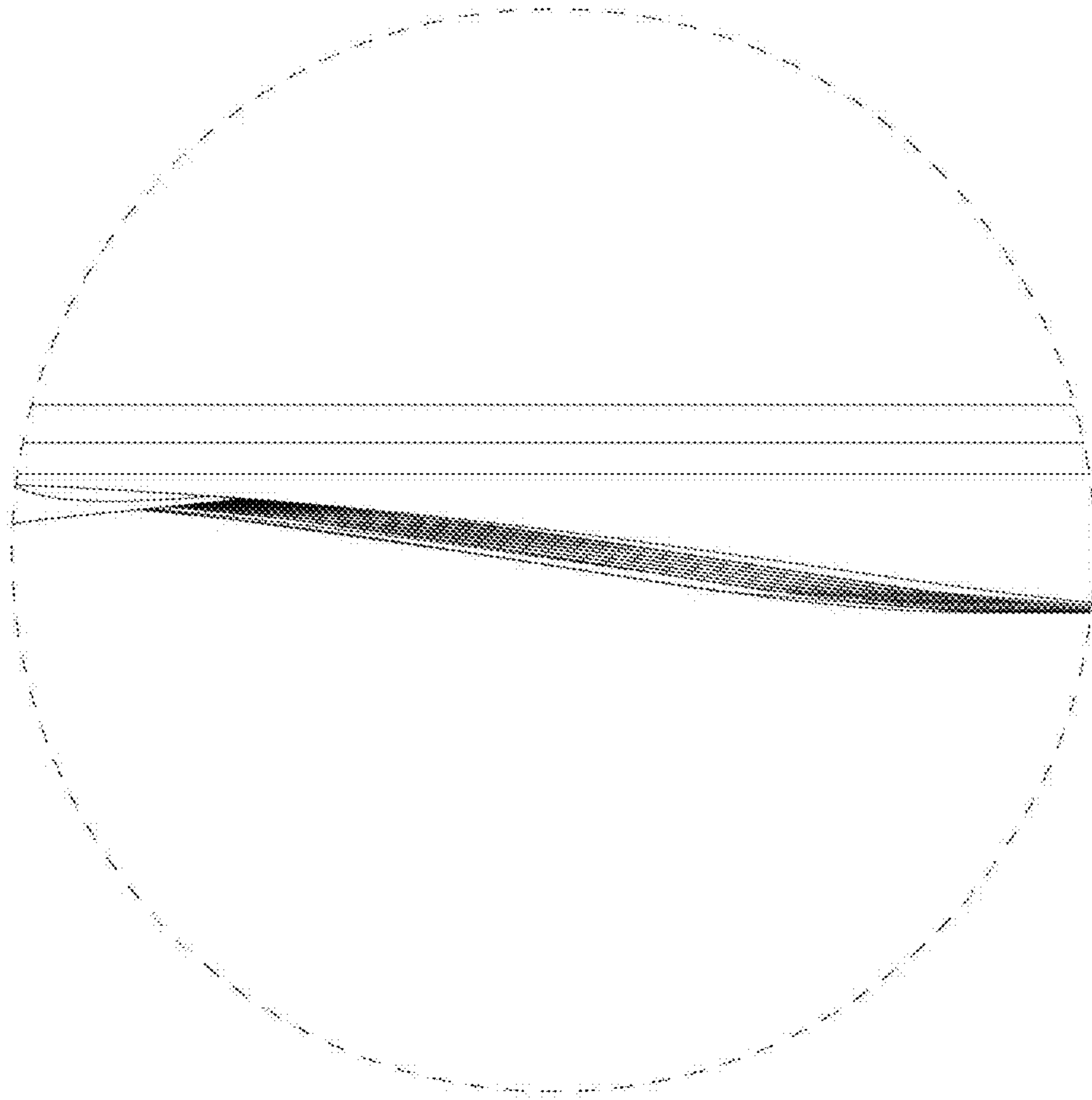


FIG. 10

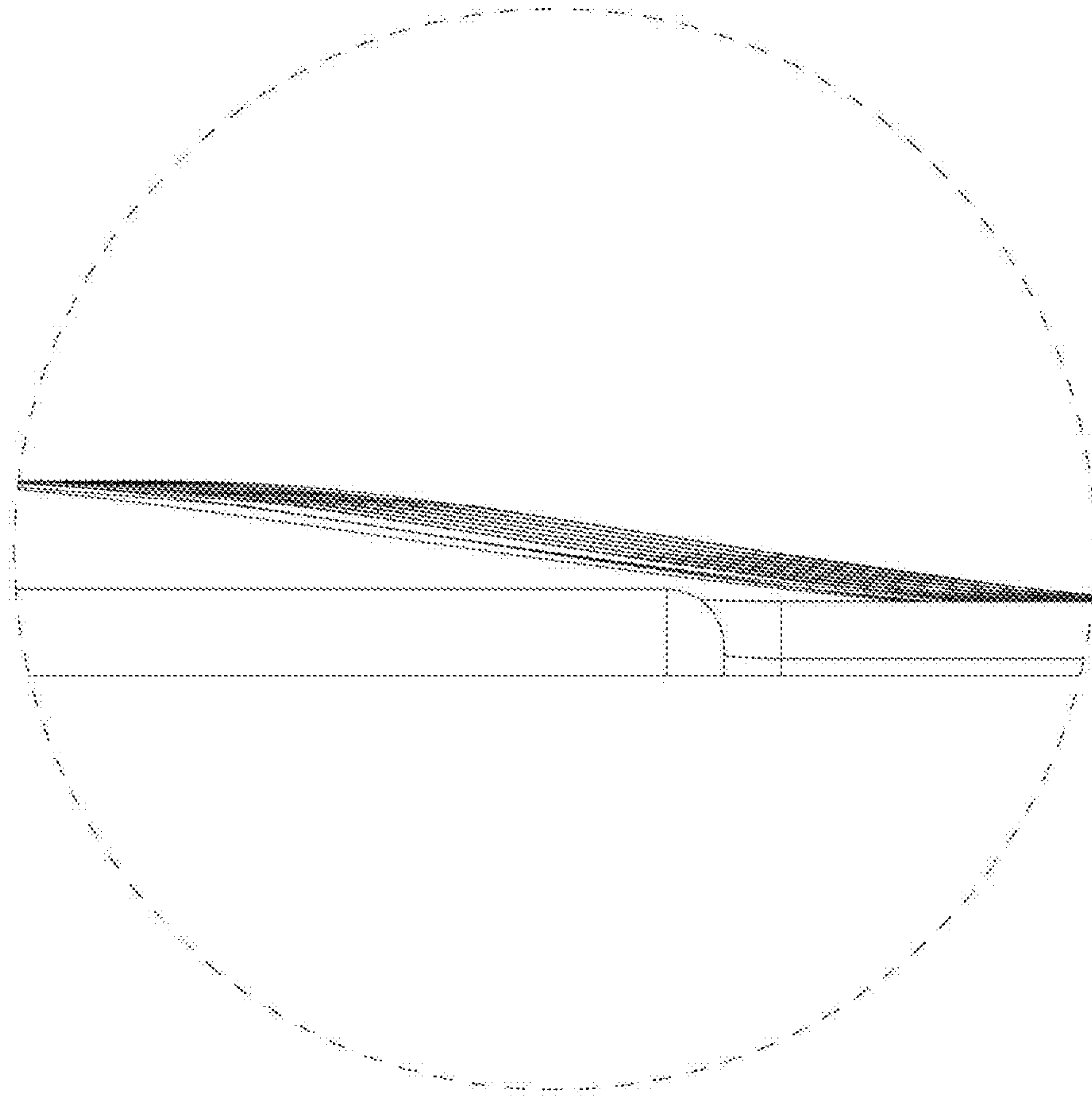


FIG. 11

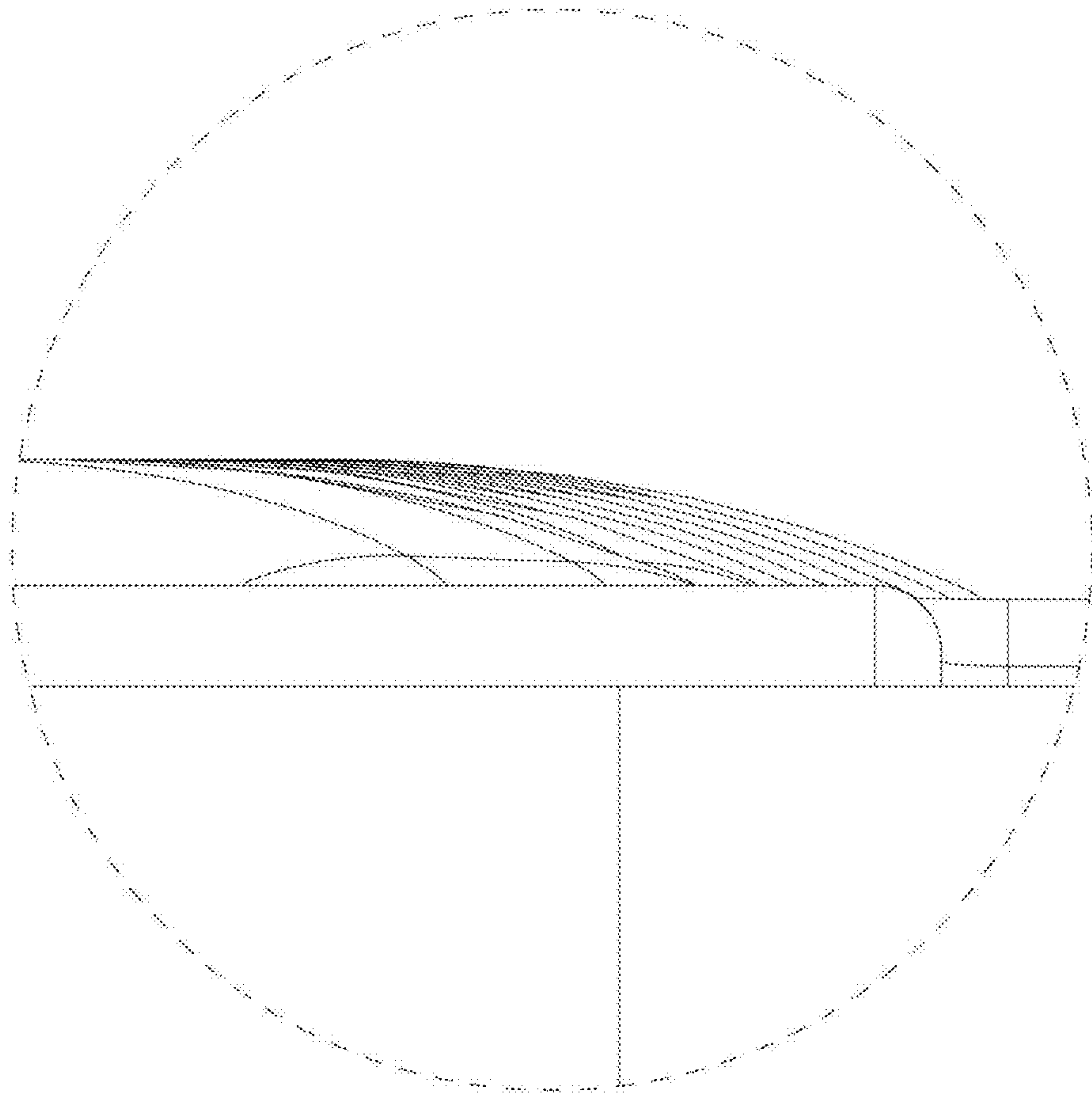


FIG. 12