



US00D979438S

(12) **United States Design Patent** (10) **Patent No.:** **US D979,438 S**  
**Ogura et al.** (45) **Date of Patent:** **\*\* \*Feb. 28, 2023**

(54) **OPERATING PANEL FOR ELEVATOR**

(71) Applicant: **Mitsubishi Electric Corporation,**  
Tokyo (JP)

(72) Inventors: **Toshihisa Ogura,** Tokyo (JP); **Yuki Iida,** Tokyo (JP); **Yoshinori Saikawa,** Tokyo (JP)

(73) Assignee: **Mitsubishi Electric Corporation,**  
Tokyo (JP)

(\* ) Notice: This patent is subject to a terminal disclaimer.

(\*\*) Term: **15 Years**

(21) Appl. No.: **29/753,198**

(22) Filed: **Sep. 30, 2020**

(30) **Foreign Application Priority Data**

Apr. 6, 2020 (JP) ..... 2020-007224 D

(51) **LOC (14) Cl.** ..... **10-05**

(52) **U.S. Cl.**  
USPC ..... **D10/108**

(58) **Field of Classification Search**  
USPC .... D10/106.95, 108, 118.2; D13/162, 162.1, D13/164, 170, 171, 174, 175, 177; D14/371, 383, 388, 389, 390, 396, 397, D14/398, 399; D18/6, 7  
CPC .. B66B 1/00; B66B 1/466; B66B 3/00; B66B 3/02; B66B 5/00; B66B 7/00; B66B 13/00; B66B 13/30; B66B 13/306; B66B 25/00; B66B 2201/00  
See application file for complete search history.

(56) **References Cited**

**U.S. PATENT DOCUMENTS**

D401,268 S \* 11/1998 Carels ..... D18/7  
D418,820 S \* 1/2000 Shintani ..... D13/164

D438,237 S \* 2/2001 Chu ..... D18/7  
D483,796 S \* 12/2003 Hsu ..... D18/7  
D596,977 S \* 7/2009 Ogura ..... D10/108  
D674,352 S \* 1/2013 Saikawa ..... D13/164  
D678,795 S 3/2013 Saikawa et al.  
D679,210 S \* 4/2013 Saikawa ..... D13/164  
D681,493 S \* 5/2013 Saikawa ..... D13/164  
D696,601 S \* 12/2013 Saikawa ..... D13/164  
D696,602 S \* 12/2013 Saikawa ..... D13/164  
D698,274 S \* 1/2014 Saikawa ..... D13/164  
D698,686 S \* 2/2014 Saikawa ..... D13/164  
D699,617 S \* 2/2014 Saikawa ..... D13/164  
D700,533 S \* 3/2014 Saikawa ..... D13/168

(Continued)

**FOREIGN PATENT DOCUMENTS**

JP 1434909 S 3/2012  
WO WOD213013-008 \* 4/2021

(Continued)

*Primary Examiner* — Joseph Kukella  
*Assistant Examiner* — Heather A Wencil  
(74) *Attorney, Agent, or Firm* — Studebaker & Brackett PC

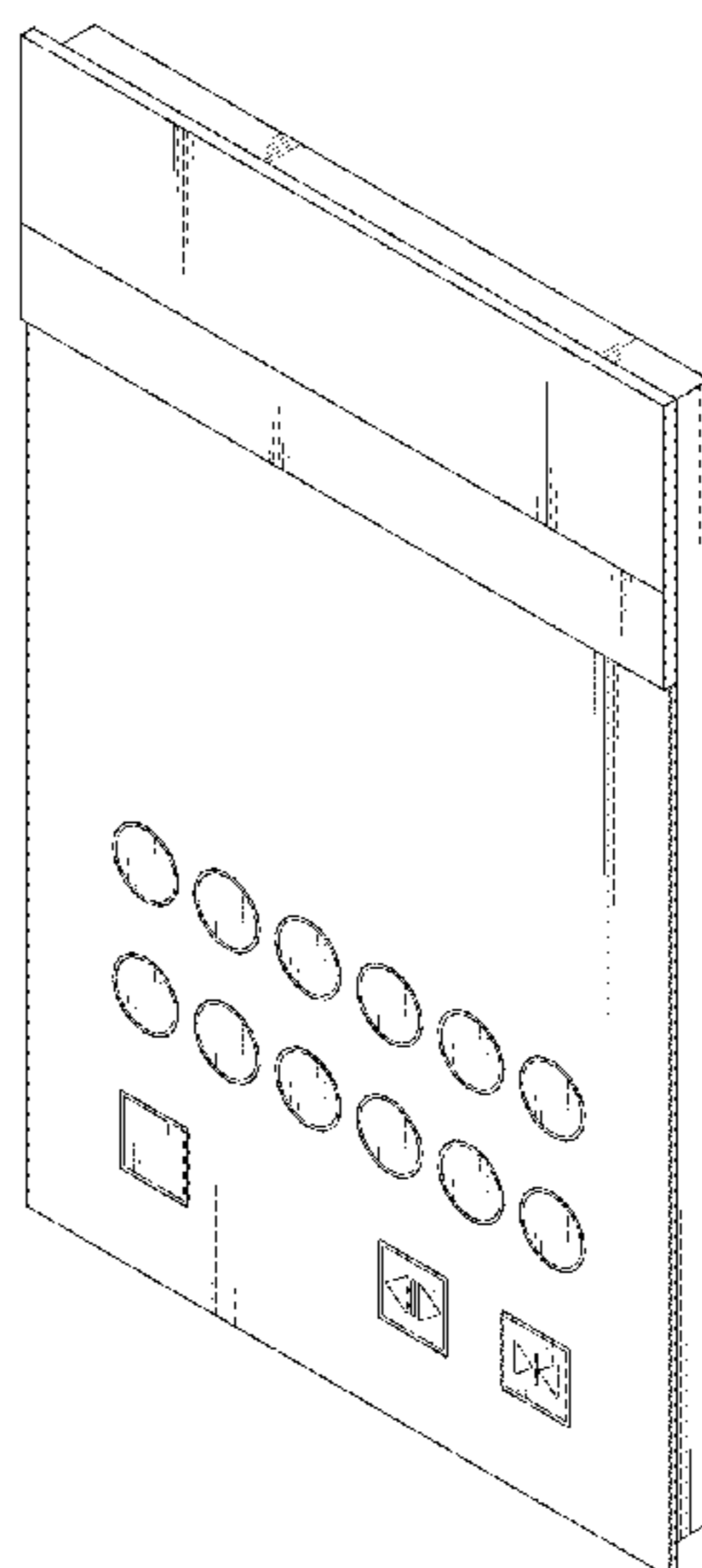
(57) **CLAIM**

The ornamental design for an operating panel for elevator, as shown and described.

**DESCRIPTION**

FIG. 1 is a perspective view of an operating panel for elevator, showing our new design;  
FIG. 2 is a front view thereof;  
FIG. 3 is a rear view thereof;  
FIG. 4 is a right side view thereof;  
FIG. 5 is a top view thereof;  
FIG. 6 is a bottom view thereof;  
FIG. 7 is an enlarged cross-sectional view thereof; taken along line 7-7 of FIG. 2, with the internal system omitted; and,  
FIG. 8 is a reference view showing the state in use.

**1 Claim, 8 Drawing Sheets**



(56)

**References Cited**

U.S. PATENT DOCUMENTS

D705,687 S \* 5/2014 Saikawa ..... D13/164  
D705,688 S \* 5/2014 Saikawa ..... D13/164  
D705,689 S \* 5/2014 Saikawa ..... D13/164  
D705,723 S \* 5/2014 Saikawa ..... D13/164  
D803,815 S \* 11/2017 Maier ..... D14/218  
D832,118 S \* 10/2018 Higashijima ..... D10/50  
D844,613 S \* 4/2019 Laurans ..... D14/399

FOREIGN PATENT DOCUMENTS

WO WOD213013-016 \* 4/2021  
WO WOD213013-018 \* 4/2021

\* cited by examiner

Fig. 1

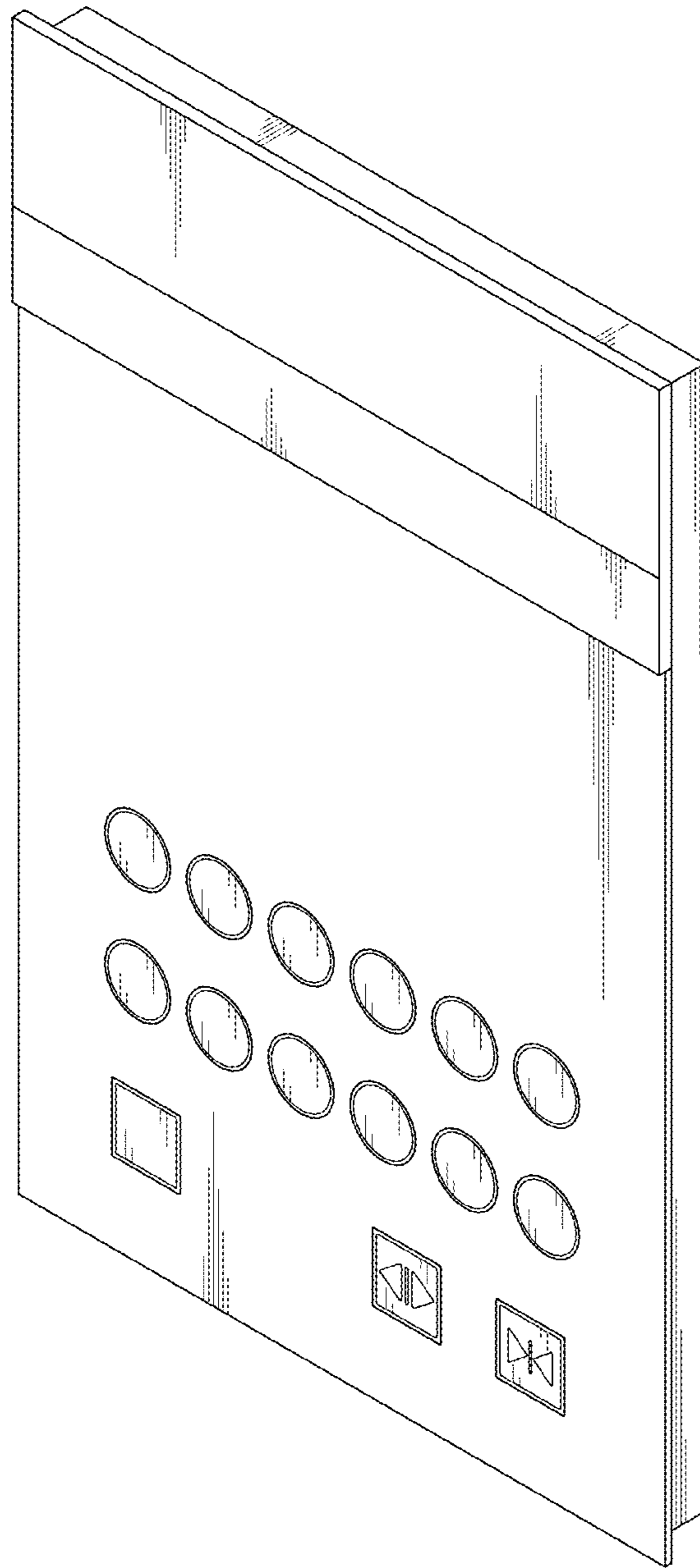


Fig.2

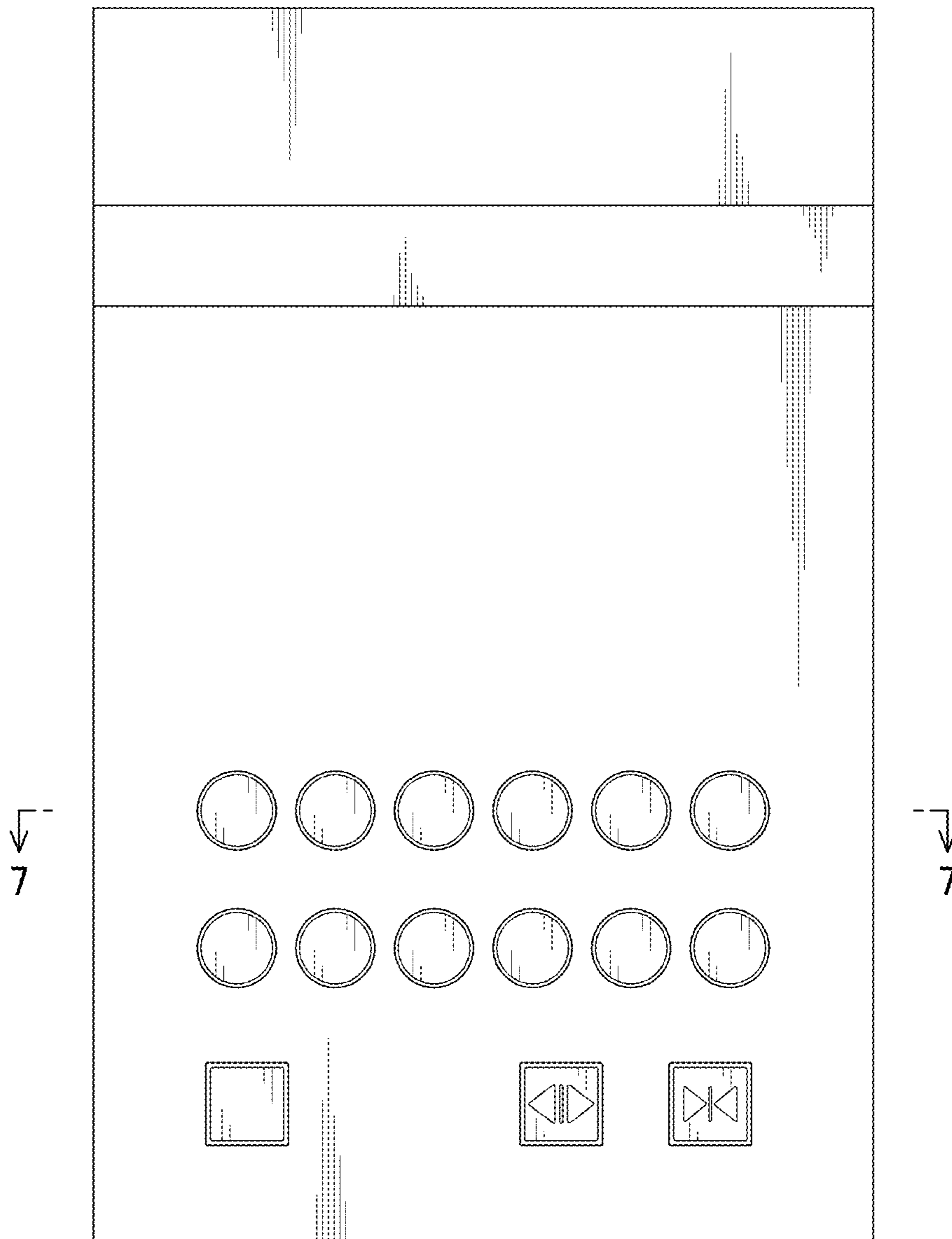


Fig.3

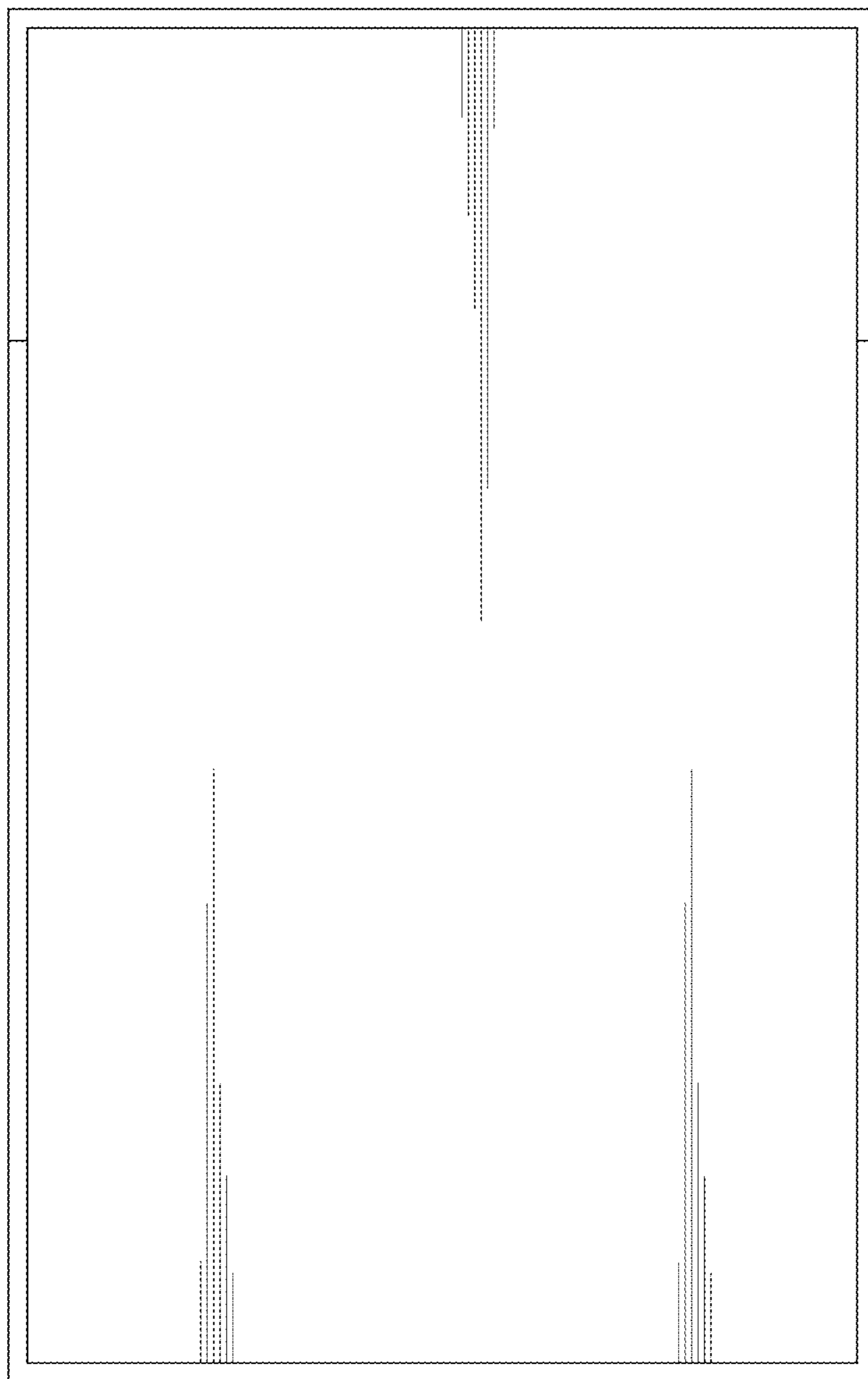


Fig.4

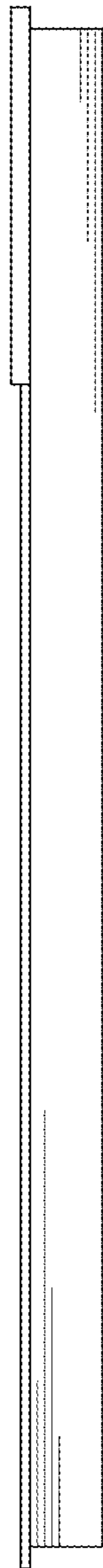


Fig.5

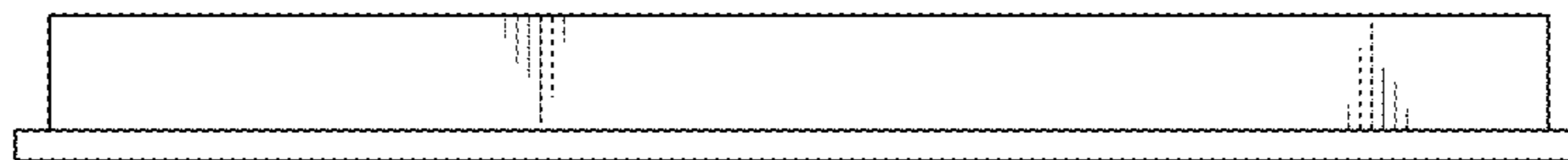


Fig.6

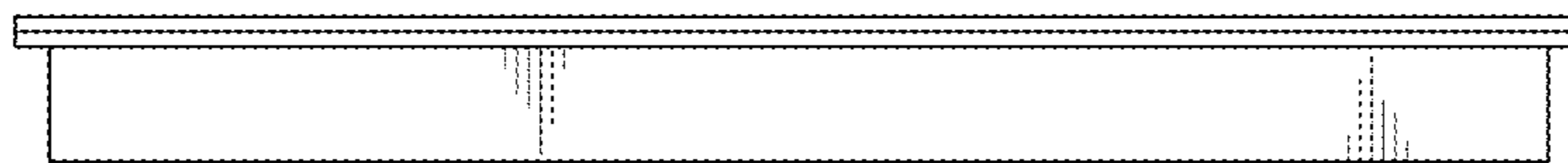




Fig.7

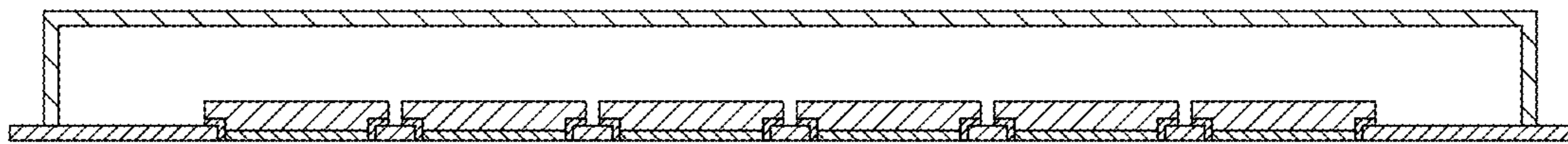


Fig.8

