



US00D979436S

(12) **United States Design Patent** (10) **Patent No.:** **US D979,436 S**
Boucard et al. (45) **Date of Patent:** **** Feb. 28, 2023**

(54) **ASSET TRACKER**

FOREIGN PATENT DOCUMENTS

(71) Applicant: **Tesseract Ventures, LLC**, Overland Park, KS (US)

CA 170502 * 9/2016
CN 301328944 * 2/2010

(Continued)

(72) Inventors: **John Boucard**, Overland Park, KS (US); **David Starr**, Leawood, KS (US); **Jeffrey Chiu**, Oswego, IL (US); **Greg Loret**, Kansas City, MO (US); **Spencer Cook**, Lenexa, KS (US); **Jason Harrell**, Overland Park, KS (US)

OTHER PUBLICATIONS

Trak-4 Store,GPS Tracker for Tracking Assets,Date first available Aug. 16, 2017, [online]retrieved Jul. 13, 2022,available from https://www.amazon.com/Trak-4-Mobile-Tracker-Tracking-Vehicles/dp/B0753LC2DQ/ref=psdc_617650011_t1_B07S7DVT33 (Year: 2017).*

(Continued)

(73) Assignee: **Tesseract Ventures, LLC**, Overland Park, KS (US)

(**) Term: **15 Years**

Primary Examiner — Keli L Hill

Assistant Examiner — Sara S Sahneh

(21) Appl. No.: **29/776,236**

(74) *Attorney, Agent, or Firm* — Polsinelli PC

(22) Filed: **Mar. 29, 2021**

(51) **LOC (14) Cl.** **10-05**

(57) **CLAIM**

(52) **U.S. Cl.**
USPC **D10/106.9**; D10/70

We claim the ornamental design for an asset tracker, as shown and described.

(58) **Field of Classification Search**
USPC D10/96–103, 83–86, 81, 70, 61,
D10/118–118.2, 104.1–106.95

DESCRIPTION

CPC G08B 25/08; G08B 13/08; G08B 13/1481;
G07C 9/00896; G07C 2009/0092; B60R
25/1004; B60R 25/33; B60R 25/102;
E05G 1/10; E05G 1/005; G01S 19/16;
H04L 67/10; H04L 67/535; H04L 67/04;
H04L 67/563; H04L 67/12; H04L 67/306;
H04L 67/52; H04W 4/20; H04W 4/38;
H04W 4/021; H04W 4/70; H04W 4/80
See application file for complete search history.

FIG. 1 is a top-front perspective view of an asset tracker, showing our new design;
FIG. 2 is a front elevational view thereof;
FIG. 3 is a rear elevational view thereof;
FIG. 4 is a left side elevational view thereof;
FIG. 5 is a right side elevational view thereof;
FIG. 6 is a top plan view thereof;
FIG. 7 is a bottom plan view thereof; and,
FIG. 8 is a top-rear perspective view of thereof.
The dot dash lines immediately adjacent the shaded areas represent the bounds of the claimed design while all other broken lines are included for the purpose of illustrating portions of the asset tracker the broken lines form no part of the claimed design.

(56) **References Cited**

U.S. PATENT DOCUMENTS

D675,946 S * 2/2013 Chan D10/70
D675,949 S * 2/2013 Chang D10/106.9
D709,397 S * 7/2014 Ennabli D10/106.9
D798,757 S * 10/2017 Corley D10/106.9

(Continued)

1 Claim, 7 Drawing Sheets



(56)

References Cited

U.S. PATENT DOCUMENTS

D838,203 S * 1/2019 Corley D10/70
 D843,862 S * 3/2019 Bellows D10/70
 D899,278 S * 10/2020 Chaumont D10/70
 11,145,183 B2 * 10/2021 Daoura G08B 21/0291
 D956,598 S * 7/2022 Ioffreda D10/106.9
 2006/0284763 A1 * 12/2006 Riley G06F 1/1698
 701/469
 2011/0177790 A1 * 7/2011 Monte G08B 21/0277
 455/466
 2012/0037706 A1 * 2/2012 Hourani G06K 7/10336
 235/486
 2017/0254838 A1 * 9/2017 Sugar G06K 19/07758

FOREIGN PATENT DOCUMENTS

CN 304317903 * 4/2017
 CN 305707214 * 8/2019
 GB 6177296 * 11/2021
 TW 215066-0001 * 2/2021

OTHER PUBLICATIONS

Tesseract,Prism, Date first available from wayback date May 18, 2021 , [online]retrieved Jul. 15, 2022, available from wayback https://web.archive.org/web/20210518084102/https://tesseractventures.io/ts_products/prism/ (Year: 2021).*

Concox,Asset Tracker,Date first available from wayback date Jul. 28, 2021 , [online]retrieved Jul. 15, 2022, available from wayback https://web.archive.org/web/20210728200143/https://www.iconcox.com/products/asset_series.html (Year: 2021).*

* cited by examiner

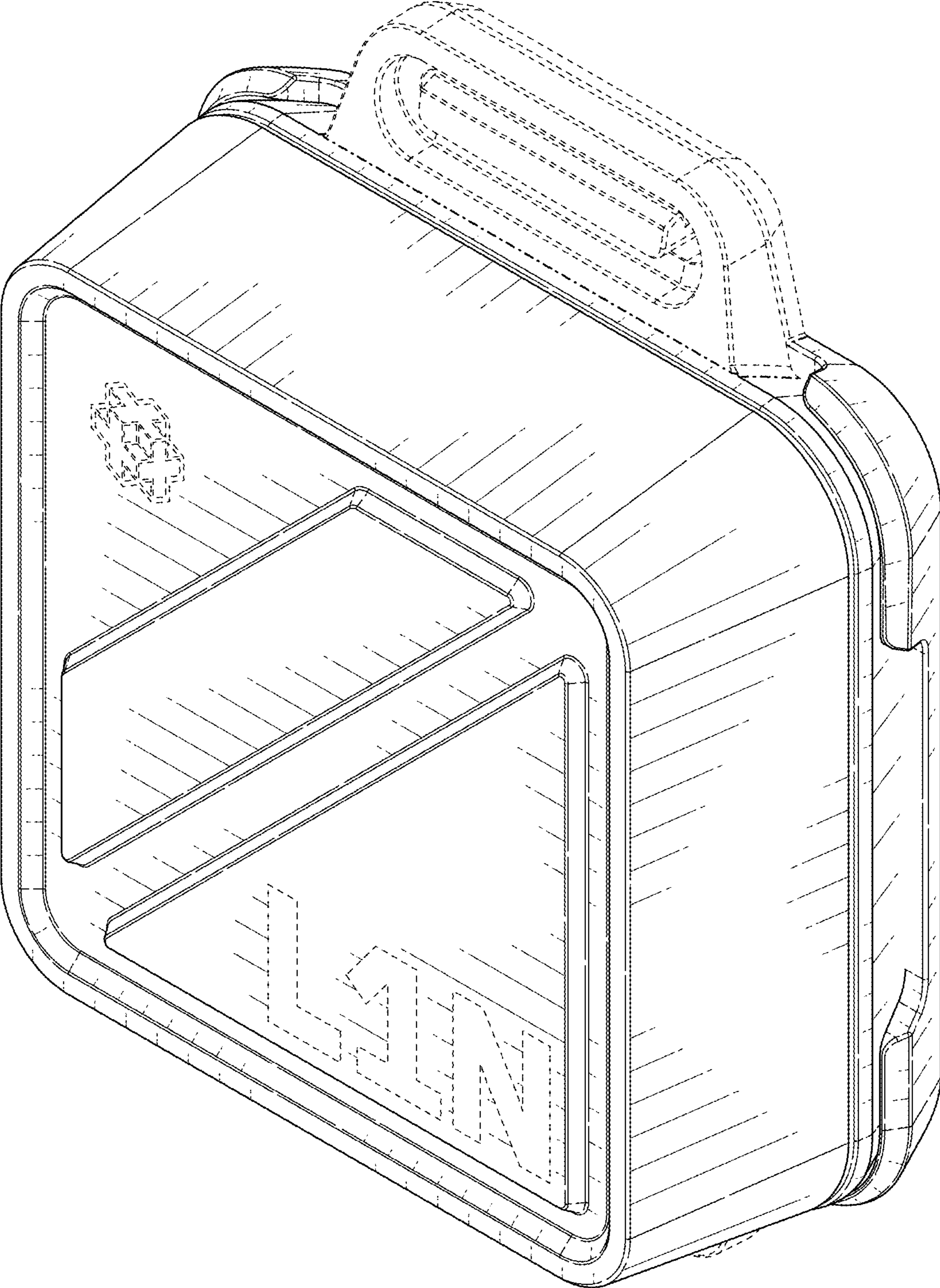


FIG. 1

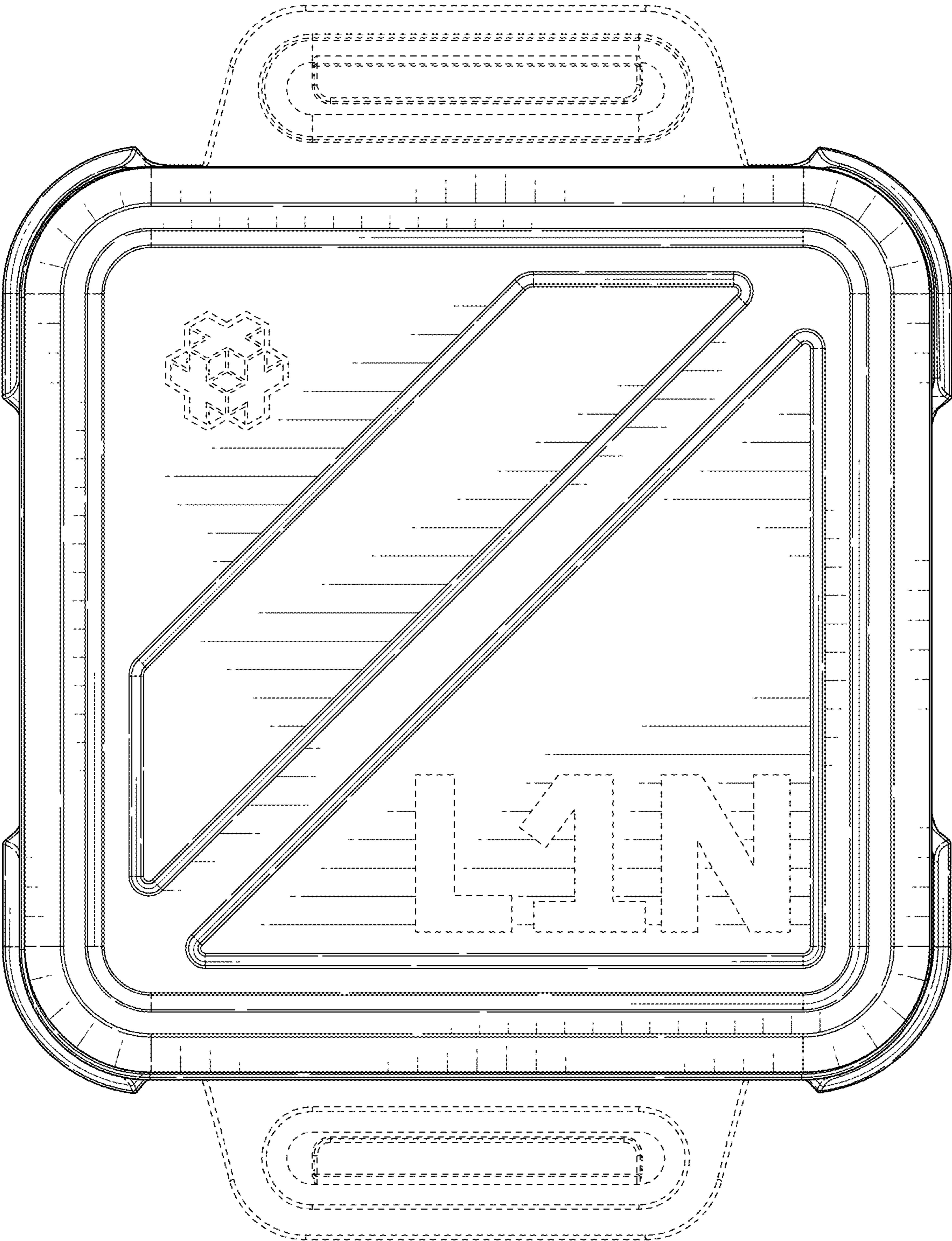


FIG. 2

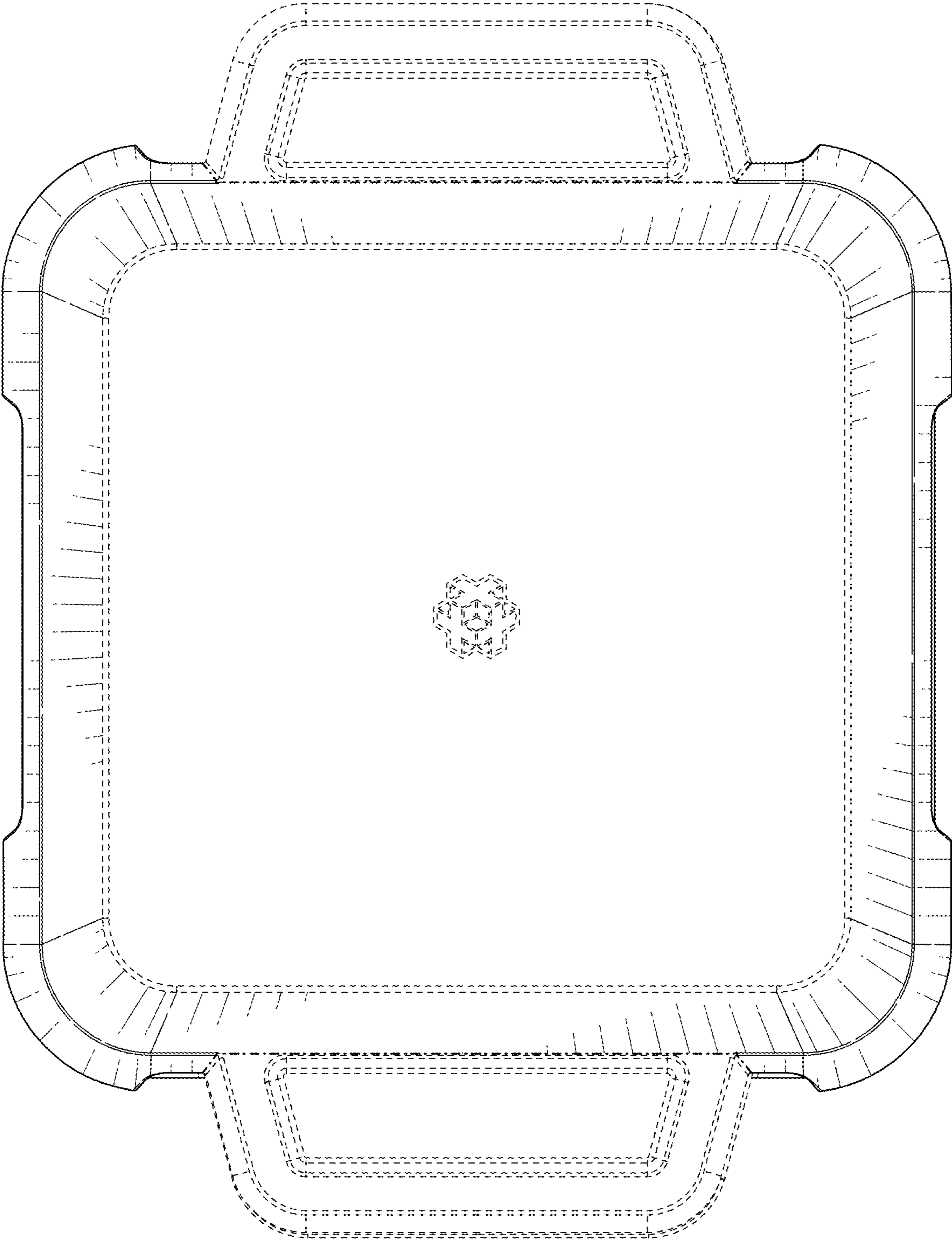


FIG. 3

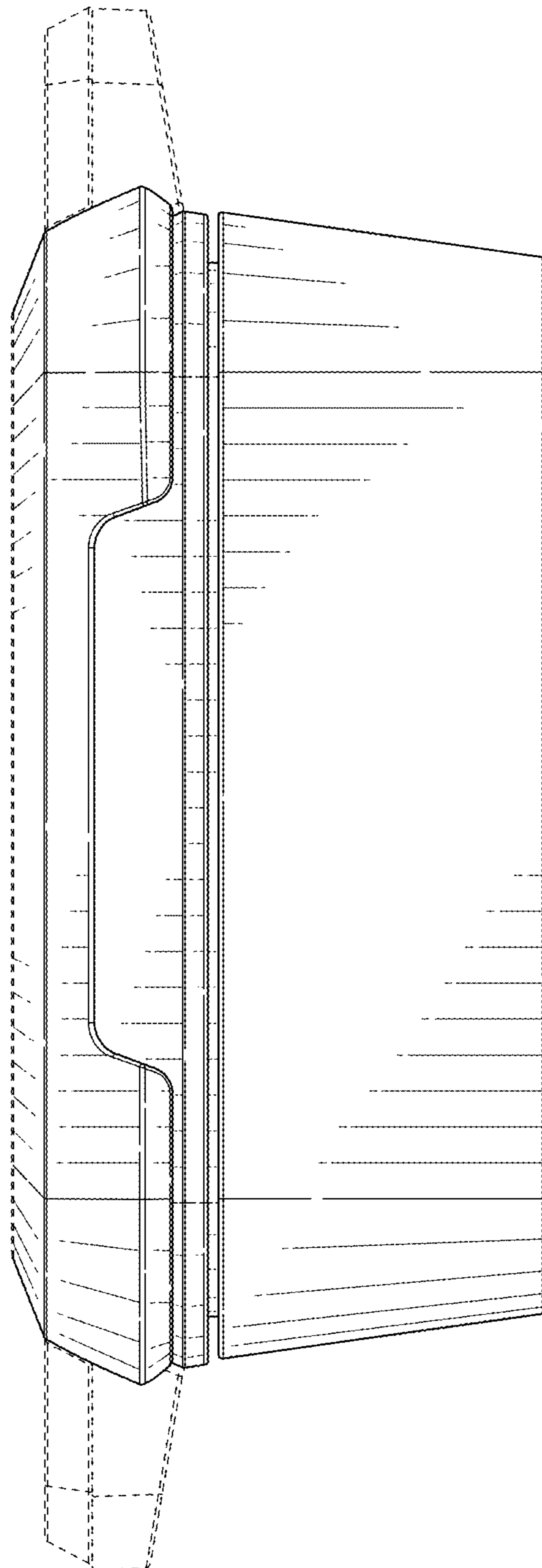


FIG. 4

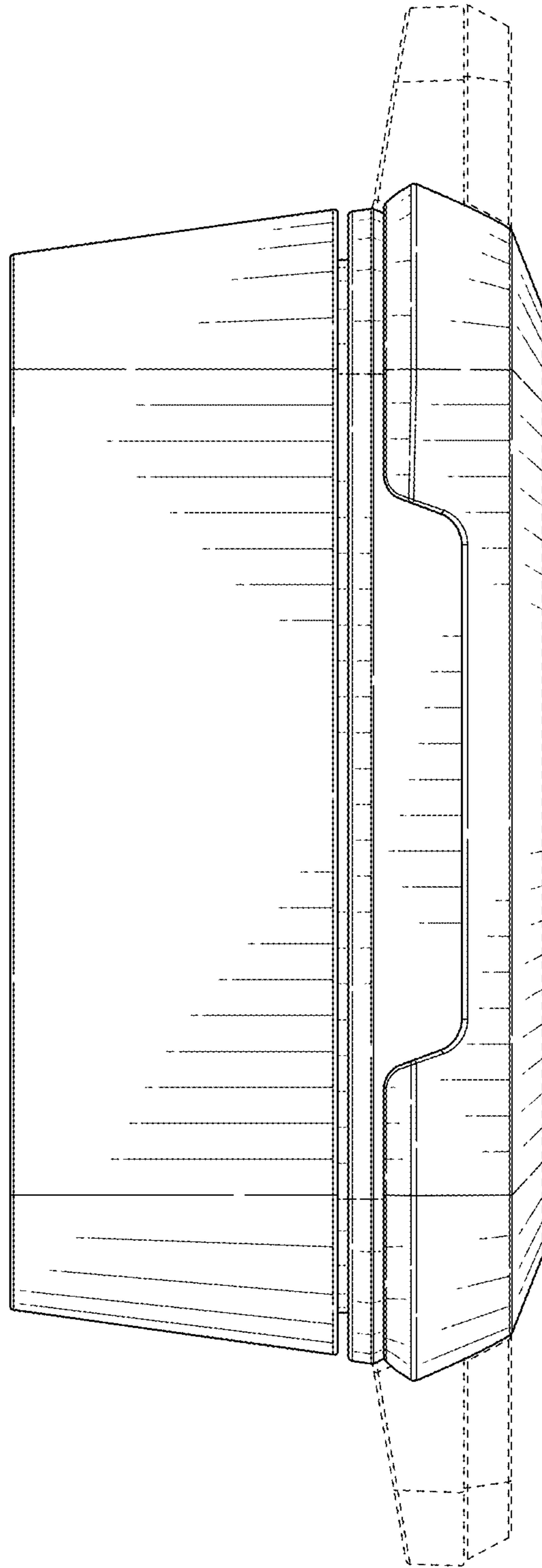


FIG. 5

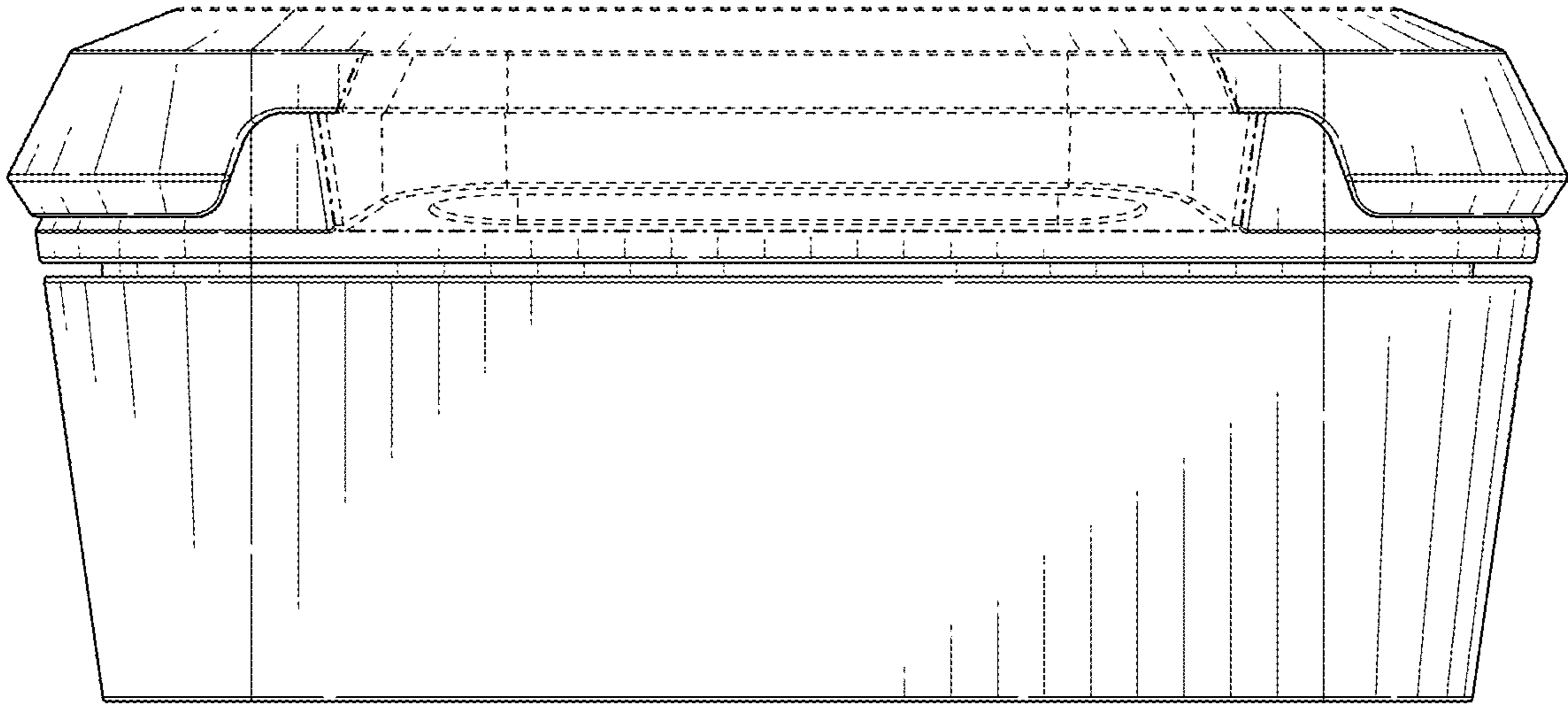


FIG. 6

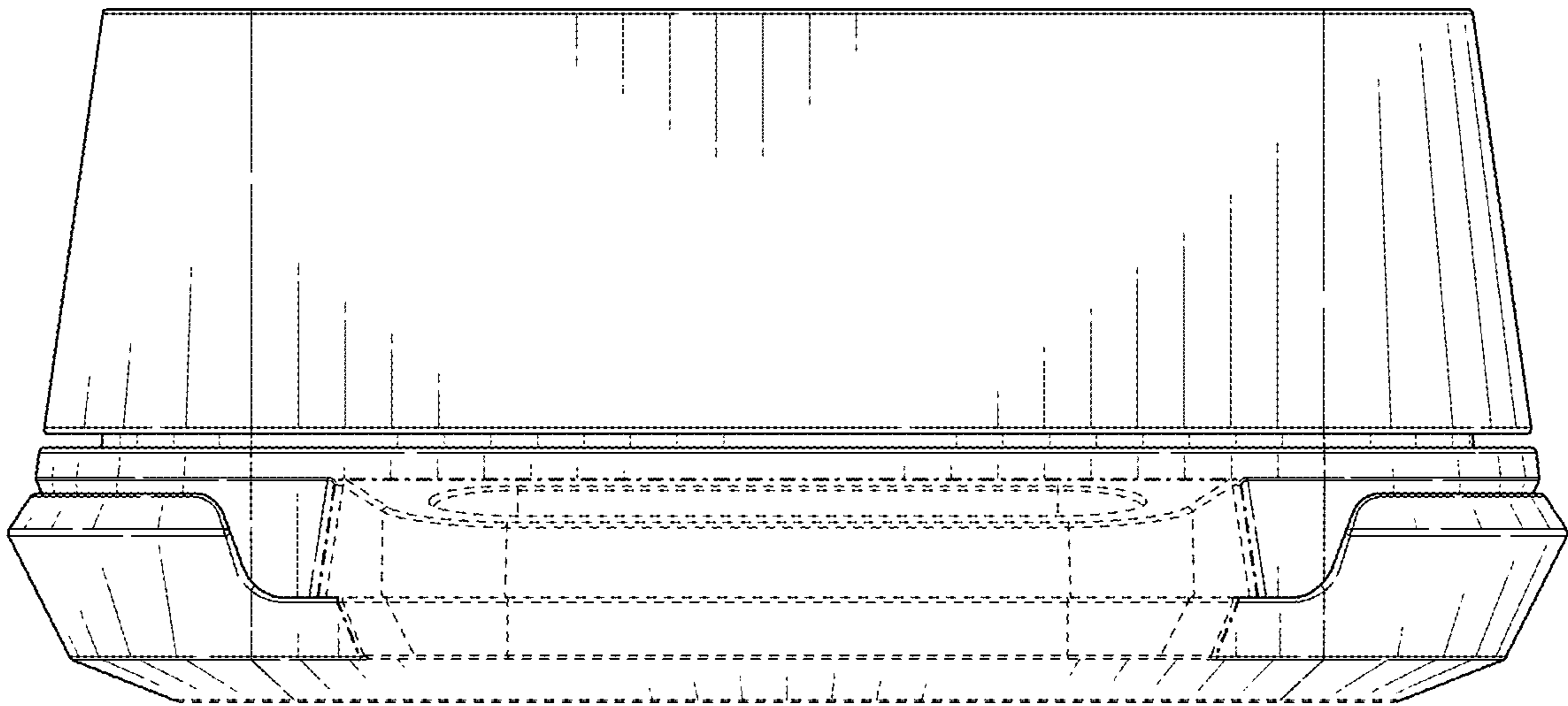


FIG. 7

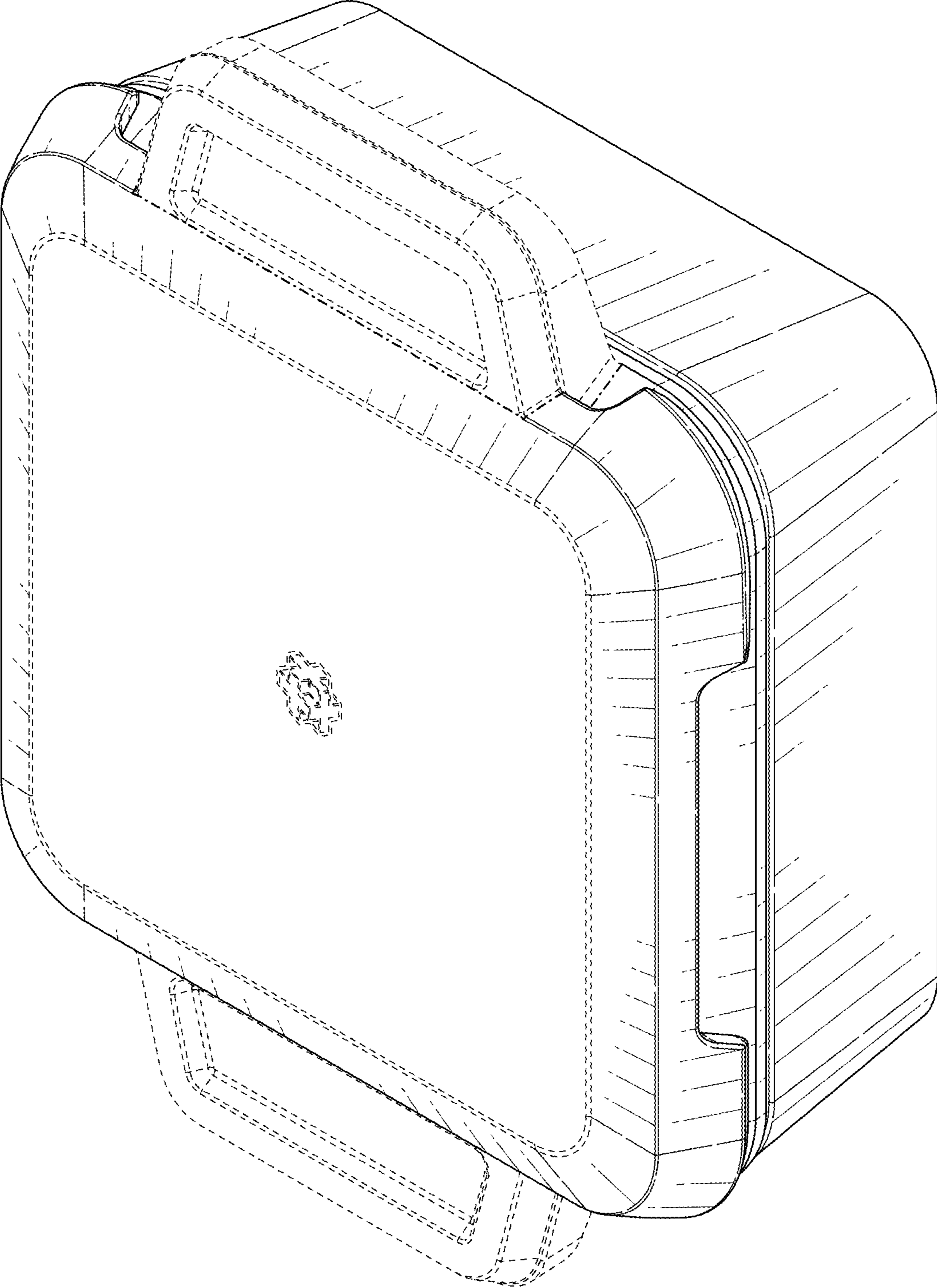


FIG. 8