



US00D979435S

(12) **United States Design Patent** (10) **Patent No.:** **US D979,435 S**
Dong et al. (45) **Date of Patent:** **** Feb. 28, 2023**

(54) **FUEL SENSOR**

(71) Applicant: **nVent Services GmbH**, Schaffhausen (CH)

(72) Inventors: **Wesley Dong**, Belmont, CA (US); **Jennifer Robison**, San Carlos, CA (US); **Emmi Ngo**, Santa Rosa, CA (US); **Peter Wijeratne**, San Carlos, CA (US); **Johnny Lam**, San Mateo, CA (US)

(73) Assignee: **nVent Services GmbH**, Schaffhausen (CH)

(**) Term: **15 Years**

(21) Appl. No.: **29/840,004**

(22) Filed: **May 25, 2022**

Related U.S. Application Data

(62) Division of application No. 29/711,665, filed on Nov. 1, 2019, now Pat. No. Des. 953,183.

(51) **LOC (14) Cl.** **10-04**

(52) **U.S. Cl.**
USPC **D10/101**

(58) **Field of Classification Search**
USPC D10/75-79, 67, 65, 61, 85, 86, 80-82, D10/106.91, 106.9, 106.4, 99-103, 96, D10/98; D24/224, 216, 223, 226; D19/133
CPC G01L 19/0023; G01L 19/143; G01L 19/0092; G01L 19/086; G01K 13/00; G01K 1/024; G01P 15/00; G01P 1/06; G01P 5/24;

(Continued)

(56) **References Cited**

U.S. PATENT DOCUMENTS

4,333,067 A 6/1982 Kugimiya et al.
4,450,428 A 5/1984 Ohta et al.

(Continued)

FOREIGN PATENT DOCUMENTS

CN 200962099 Y 10/2007
CN 302686710 12/2013

(Continued)

OTHER PUBLICATIONS

NVent|RAYCHEM, Fast Fuel Sensor Probe with Leader Cable, No Connector, specifications, Copyright 2020 nVent, 2 pages.

(Continued)

Primary Examiner — Keli L Hill

Assistant Examiner — Sara S Sahneh

(74) *Attorney, Agent, or Firm* — Quarles & Brady LLP

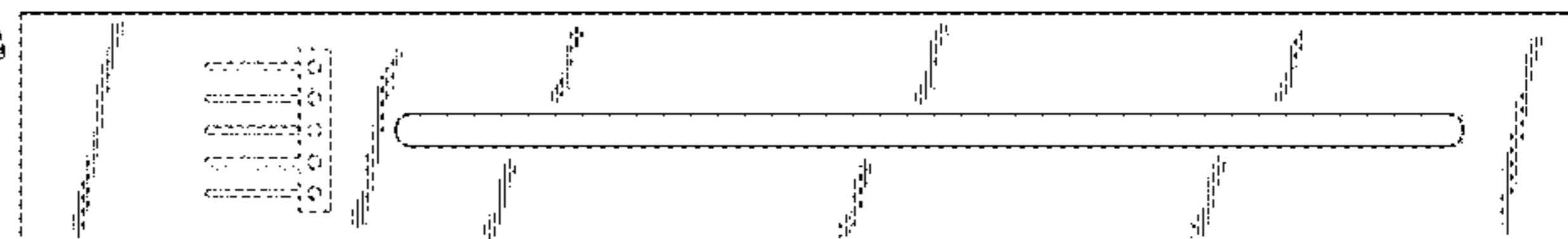
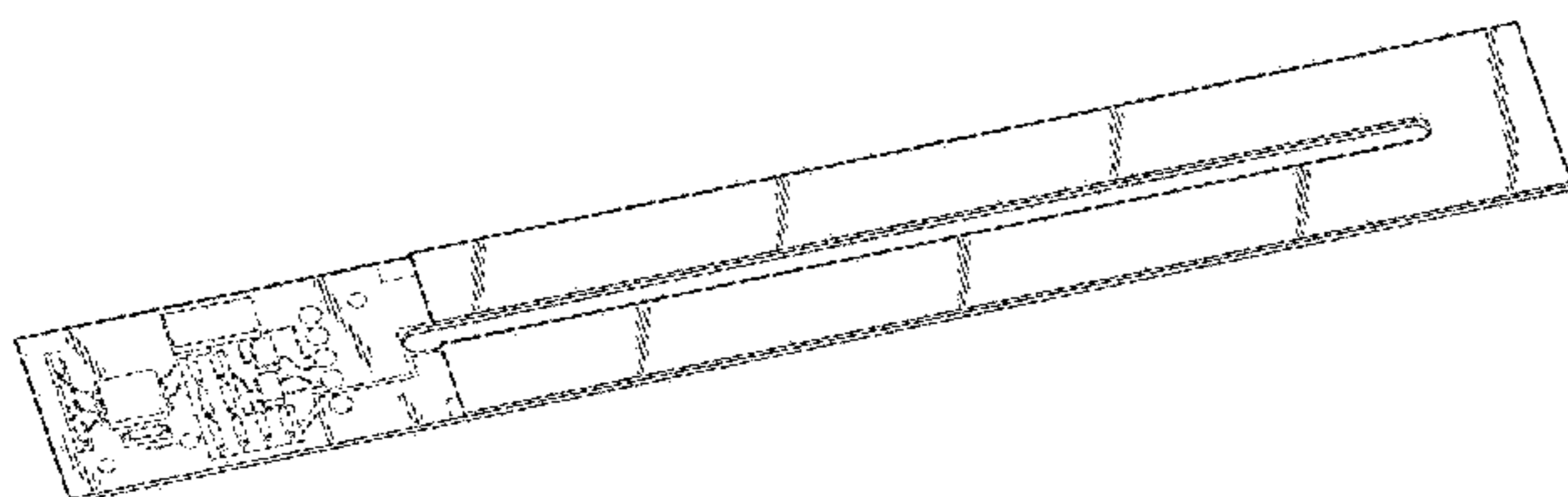
(57) **CLAIM**

The ornamental design for a fuel sensor, as shown and described.

DESCRIPTION

FIG. 1 is a perspective view of a front, top, and right side of an embodiment of an ornamental design for a fuel sensor; FIG. 2 is a front side elevational view of the fuel sensor of FIG. 1; FIG. 3 is a rear side elevational view of the fuel sensor of FIG. 1; FIG. 4 is a right elevational view of the fuel sensor of FIG. 1; FIG. 5 is a left elevational view of the fuel sensor of FIG. 1; FIG. 6 is a top plan view of the fuel sensor of FIG. 1; and, FIG. 7 is a bottom plan view of the fuel sensor of FIG. 1. The dash-dash broken lines shown are included for the purpose of illustrating portions of the fuel sensor that form no part of the claim.

1 Claim, 3 Drawing Sheets



(58) **Field of Classification Search**

CPC G05D 7/0635; H04L 2012/2841; H04L 12/2827; H04L 2012/285; G01F 23/02; G01F 1/05; G01F 1/22; G01F 1/26; G01F 1/28; G01F 15/06; G01F 23/0015; B60P 3/228; B60P 3/2265; B60P 3/01; B01L 2300/0609; B01L 2200/04; B01L 2300/0877; B01L 2200/0689; B01L 2300/0809; B01L 2200/027; B01L 2300/18; B01L 2300/0654; B01L 7/52; B01L 3/5027; B01L 2300/041; G01N 21/6428; G01N 21/6456; G01N 2021/6439; C12Q 1/689; C12Q 1/686; C12Q 1/701; G06T 2207/20021; G06T 7/0016; G06T 2207/10016; G06K 9/2081
See application file for complete search history.

9,855,359	B2	1/2018	Liu
10,018,581	B2	7/2018	Wang et al.
10,175,221	B2	1/2019	Ciampini
10,302,635	B2	5/2019	Kobayashi
10,801,389	B2	10/2020	Chung et al.
2007/0119233	A1	5/2007	Schnell et al.
2009/0029403	A1	1/2009	Fleischer et al.
2009/0090179	A1	4/2009	Carmona et al.
2010/0025238	A1	2/2010	Gottlieb et al.
2010/0219849	A1	9/2010	McCoy et al.
2011/0079078	A1	4/2011	Ho et al.
2012/0156688	A1	6/2012	McAlpine et al.
2013/0048627	A1	2/2013	Satou
2013/0233708	A1	9/2013	Sakuma et al.
2014/0326602	A1	11/2014	Pachinger et al.
2016/0169831	A1	6/2016	Wang et al.
2016/0238548	A1	8/2016	Aguir et al.
2017/0010258	A1	1/2017	Davis et al.
2018/0038815	A1	2/2018	Gu et al.
2019/0265189	A1	8/2019	Shimizu et al.
2021/0063337	A1	3/2021	Dong et al.
2022/0260518	A1*	8/2022	Ogiso G01N 27/4071
2022/0260526	A1*	8/2022	Han B01L 3/502753
2022/0288588	A1*	9/2022	Sanders B01L 3/5635
2022/0326119	A1*	10/2022	Bessen F02D 41/1494
2022/0333181	A1*	10/2022	Clime C12Q 1/6851

(56) **References Cited**

U.S. PATENT DOCUMENTS

4,478,067	A	10/1984	Ohta et al.
4,487,057	A	12/1984	Lutz
4,608,232	A	8/1986	Sunano et al.
4,693,953	A	9/1987	Torikai
4,713,646	A	12/1987	Sunano
4,798,693	A	1/1989	Mase et al.
4,816,800	A	3/1989	Onaga et al.
4,855,706	A	8/1989	Hauptly
4,909,066	A	3/1990	Matsuura et al.
4,942,764	A	7/1990	Dews et al.
5,006,828	A	4/1991	Yutaka et al.
5,419,828	A	5/1995	Nakano et al.
5,482,678	A	1/1996	Sittler
5,578,997	A	11/1996	Lechevalier
5,670,115	A	9/1997	Chen et al.
5,743,136	A	4/1998	Gaston et al.
5,804,699	A	9/1998	Sugiyama et al.
6,615,659	B2	9/2003	Shibue et al.
6,705,152	B2	3/2004	Routkevitch et al.
7,025,849	B2	4/2006	Kim et al.
7,033,457	B2	4/2006	Kim et al.
7,113,069	B1	9/2006	Sunshine
7,827,852	B2	11/2010	Cui et al.
7,829,185	B2	11/2010	Cuppoletti
7,859,273	B2	12/2010	McCoy et al.
8,419,961	B2	4/2013	Qin
8,429,952	B1	4/2013	Bringhurst et al.
8,586,394	B2	11/2013	Fosaaen
8,614,118	B2	12/2013	Haji et al.
8,640,526	B2	2/2014	Di Miro et al.
8,673,213	B2	3/2014	Augstein et al.
8,677,803	B2	3/2014	Hocken et al.
8,739,604	B2	6/2014	Krishna et al.
8,823,400	B2	9/2014	Hocken et al.
9,042,075	B2	5/2015	Borini et al.
9,523,651	B2	12/2016	Humbert et al.

FOREIGN PATENT DOCUMENTS

CN	103604839	A	2/2014
CN	303690117		6/2016
CN	106687811	A	5/2017
CN	107144370	A	9/2017
EM	002213876-0005		4/2013
EM	002646349-0001		3/2015
EM	004109908-0004		7/2017
EP	1953539	B1	12/2017
GB	9008014716-0001		6/2020
JP	S57133345	A	8/1982
JP	5936087	B2	5/2016
KR	2006/021822	A	3/2006
KR	300851474.0000		10/2015
WO	02/33732	A2	4/2002
WO	03/012390	A2	2/2003
WO	2005/073703	A1	8/2005
WO	2018/126326	A1	7/2018
WO	2019/053460	A1	3/2019

OTHER PUBLICATIONS

Aufee, Marking Rule, Date first available Jul. 13, 2020, [online]retrieved Oct. 15, 2021, available from https://www.amazon.com/dp/B08CV6HC68/ref=sspa_dk_detail_4?psc=1&pd_rd_w=ciBm0&pf_rd_p=9fd3ea7c-b77c-42ac-b43b-c872d3f37c38&pd_rd_wg=t1DVY&pf_rd_r=KJM4Q8E7ZHDQ5NZG9H0H&pd_rd_r=9c879fec-0a1d-4614-9b76-9c (year: 2020).

* cited by examiner

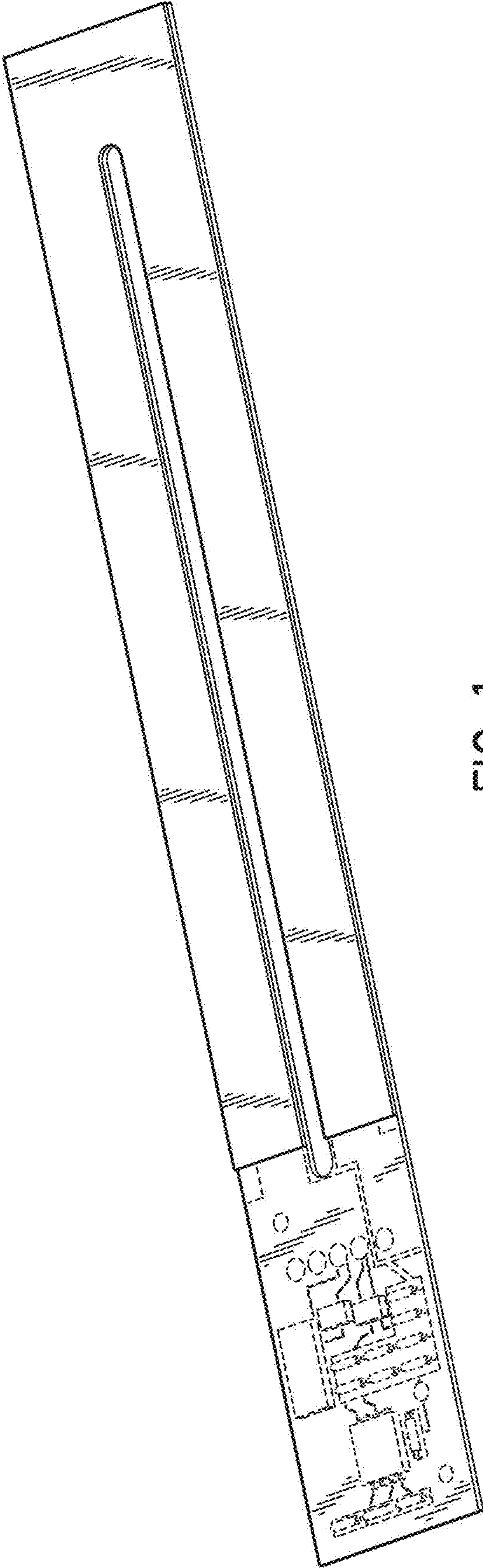


FIG. 1

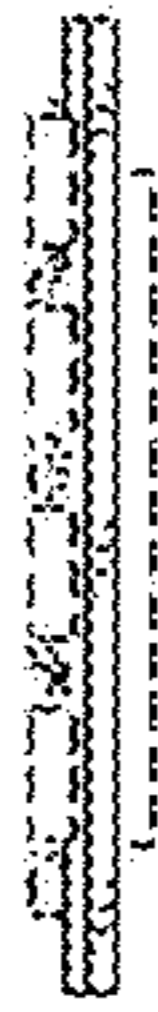


FIG. 2



FIG. 3

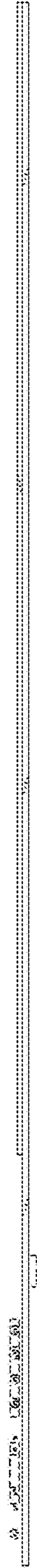


FIG. 4

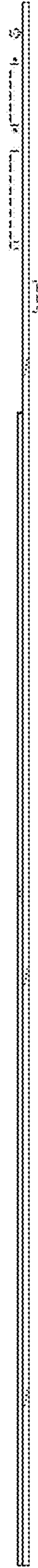


FIG. 5

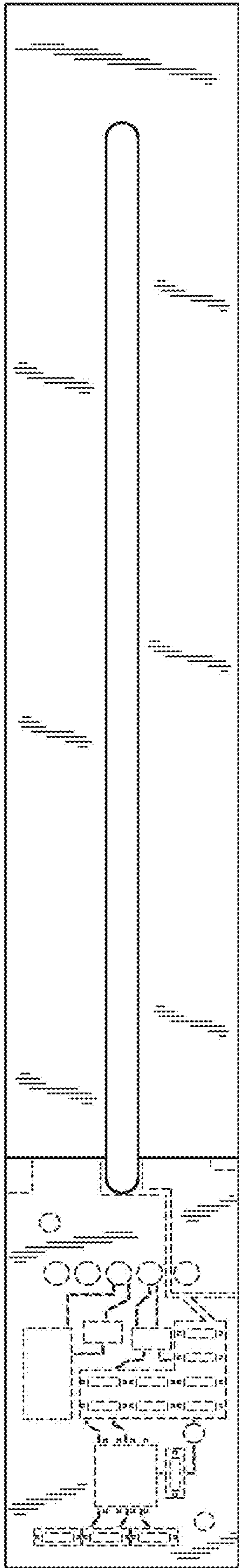


FIG. 6

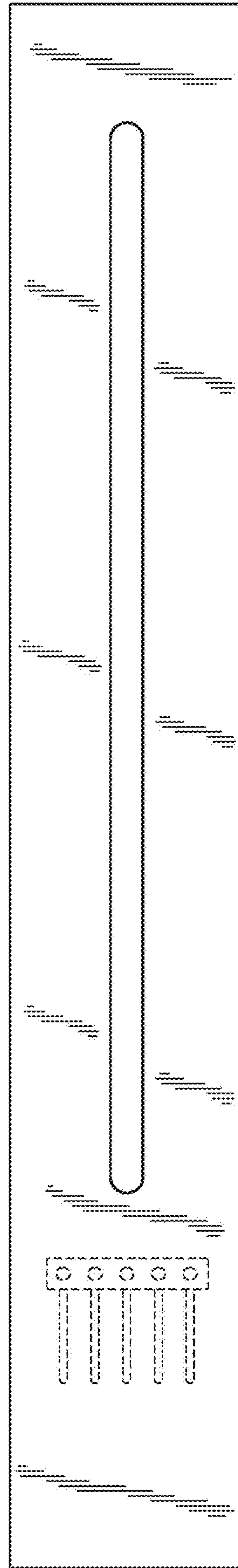


FIG. 7