



US00D979434S

(12) **United States Design Patent**  
**Boulay et al.**

(10) **Patent No.:** **US D979,434 S**  
(45) **Date of Patent:** **\*\* Feb. 28, 2023**

(54) **LEVEL TRANSMITTER FOR A TANK**

(71) Applicant: **OTODATA WIRELESS NETWORK INC.**, Montréal (CA)

(72) Inventors: **André Boulay**, Île-Bizard (CA);  
**Philippe Meilleur**, Montréal (CA);  
**Simon Noël**, Laval (CA); **Jason M. Gallovich**, Montréal (CA)

(73) Assignee: **Otodata Wireless Network Inc**,  
Montreal (CA)

(\*\*) Term: **15 Years**

(21) Appl. No.: **29/780,223**

(22) Filed: **Apr. 23, 2021**

(51) **LOC (14) Cl.** ..... **10-04**

(52) **U.S. Cl.**  
USPC ..... **D10/101**

(58) **Field of Classification Search**  
USPC ..... D10/101  
CPC ..... G08B 21/02; G08B 21/18; G08B 21/182;  
G08B 21/20; G08B 3/00; G08B 19/00;  
G08B 19/02; G01D 7/00; G01D 11/24;  
G01D 11/245; G01F 1/00; G01F 23/28;  
G01N 33/0031; G01N 33/0032; G01M  
3/16; G01M 3/38

See application file for complete search history.

(56) **References Cited**

U.S. PATENT DOCUMENTS

11,193,802 B2 \* 12/2021 Fleischer ..... G01D 11/24  
D939,980 S \* 1/2022 Barton ..... G06V 20/52  
D10/101  
11,333,563 B2 \* 5/2022 Habering ..... H02G 11/00

\* cited by examiner

*Primary Examiner* — Antoine Duval Davis

(57) **CLAIM**

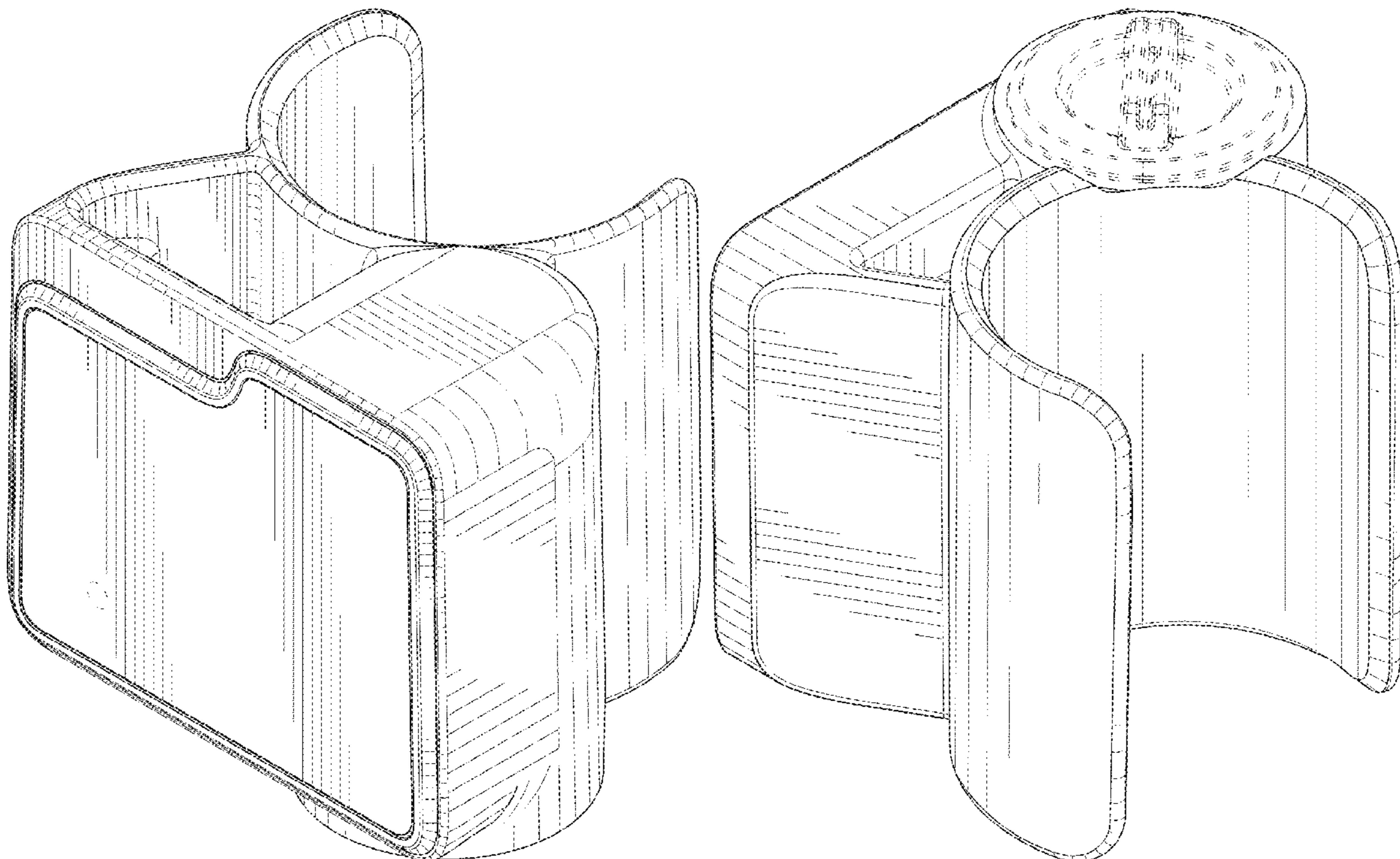
The ornamental design for a level transmitter for a tank, as shown and described.

**DESCRIPTION**

FIG. 1 a top, front, right perspective view of the level transmitter for a tank;  
FIG. 2 is a bottom, rear, left, perspective view thereof;  
FIG. 3 is is a front elevation view thereof;  
FIG. 4 is a rear elevation view thereof;  
FIG. 5 is a right side elevation view thereof;  
FIG. 6 is a left side elevational view thereof;  
FIG. 7 is a top plan view thereof;  
FIG. 8 is a bottom plan view thereof; and,  
FIG. 9 is a top, front, right perspective view thereof when used with a tank.

The stippled line portions do not form part of the claimed design.

**1 Claim, 9 Drawing Sheets**



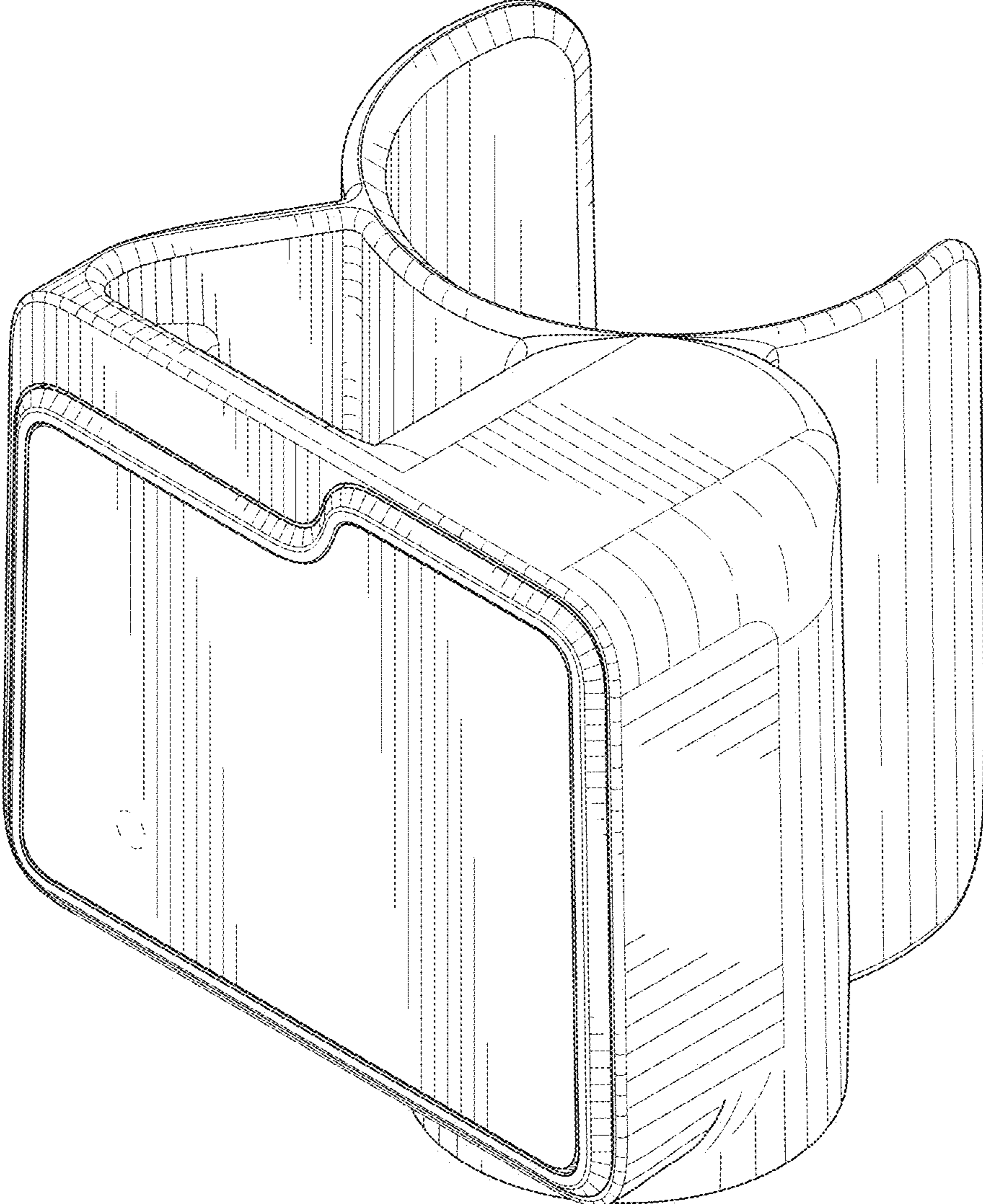


FIG.1

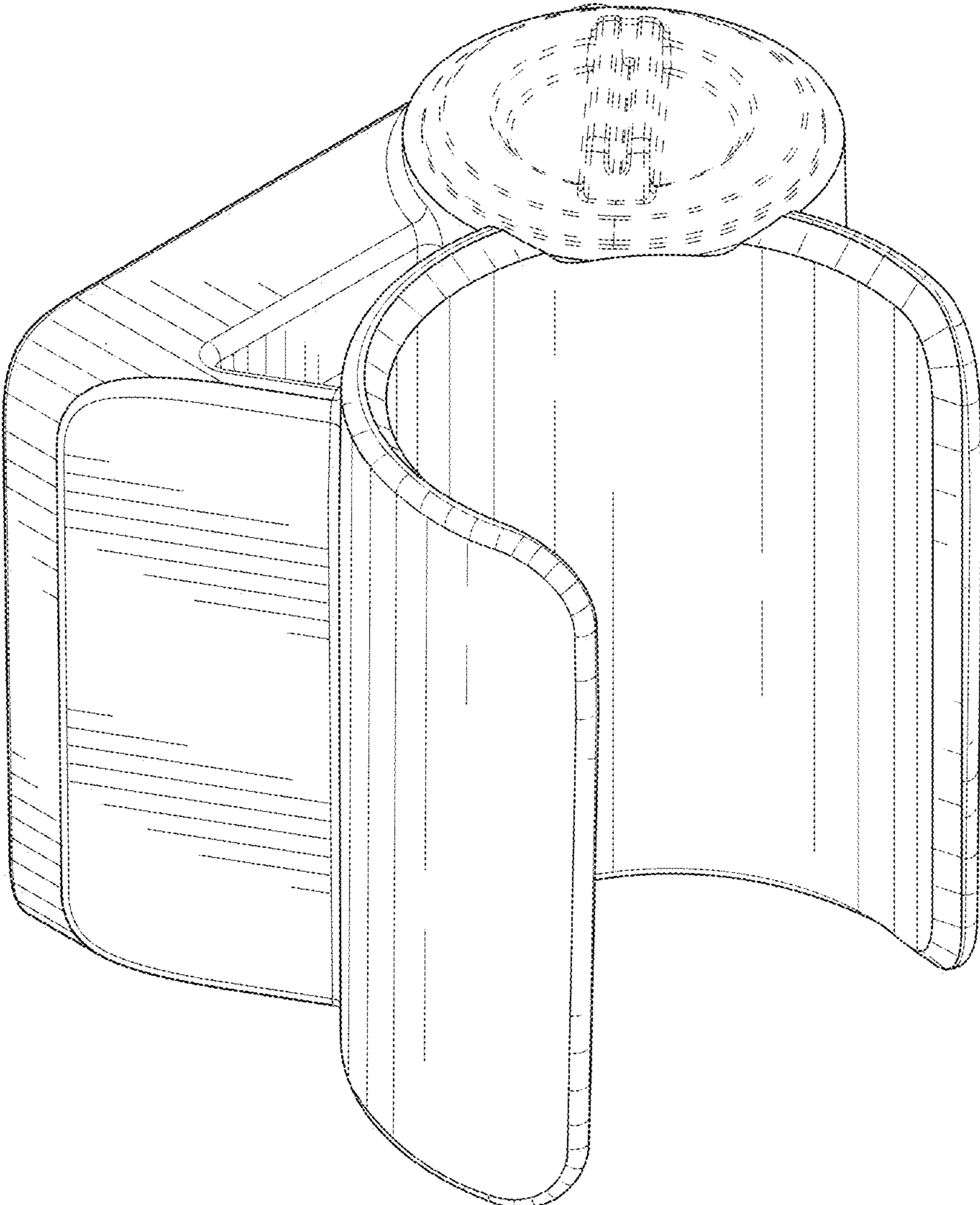


FIG. 2



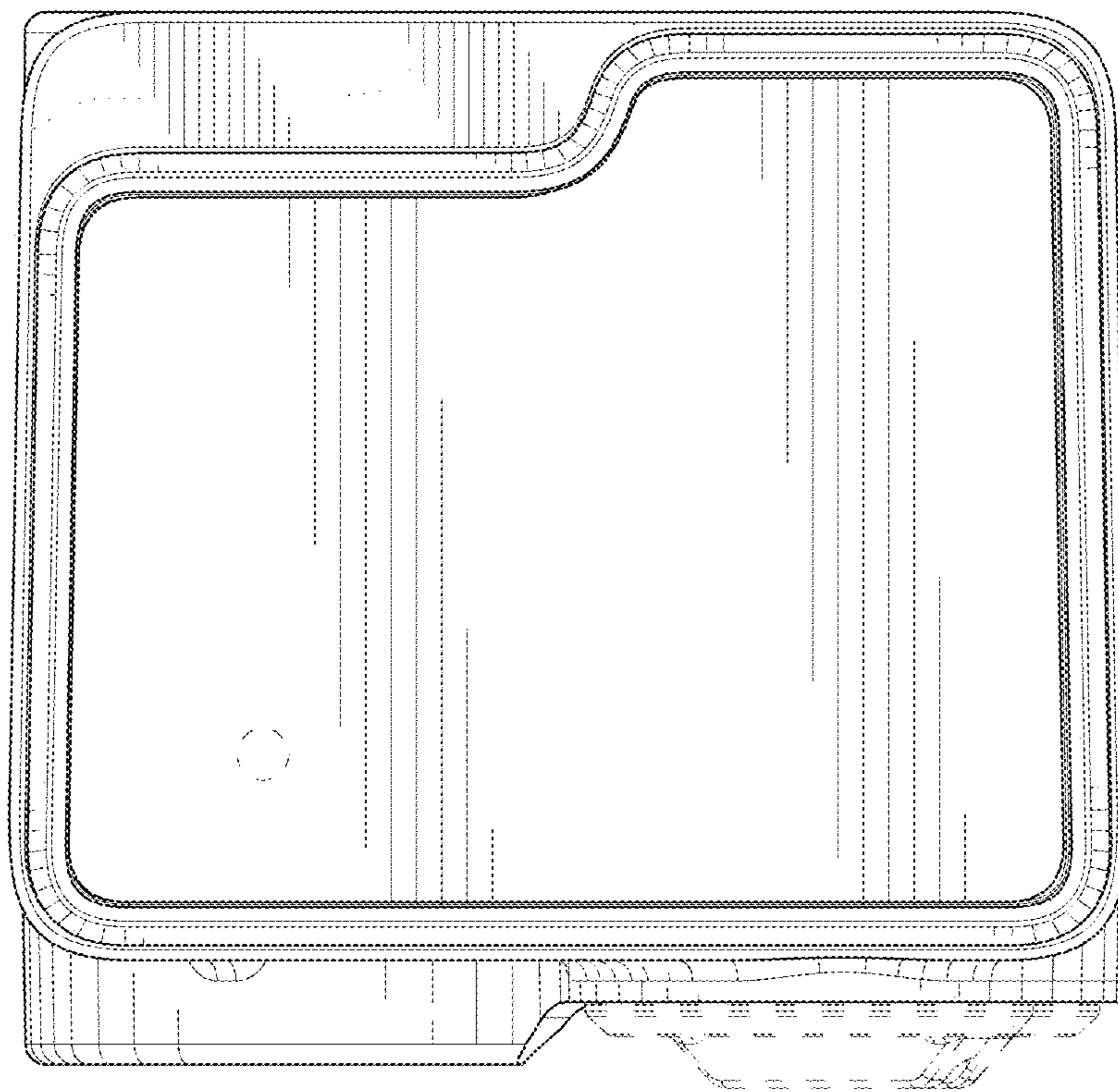


FIG.3

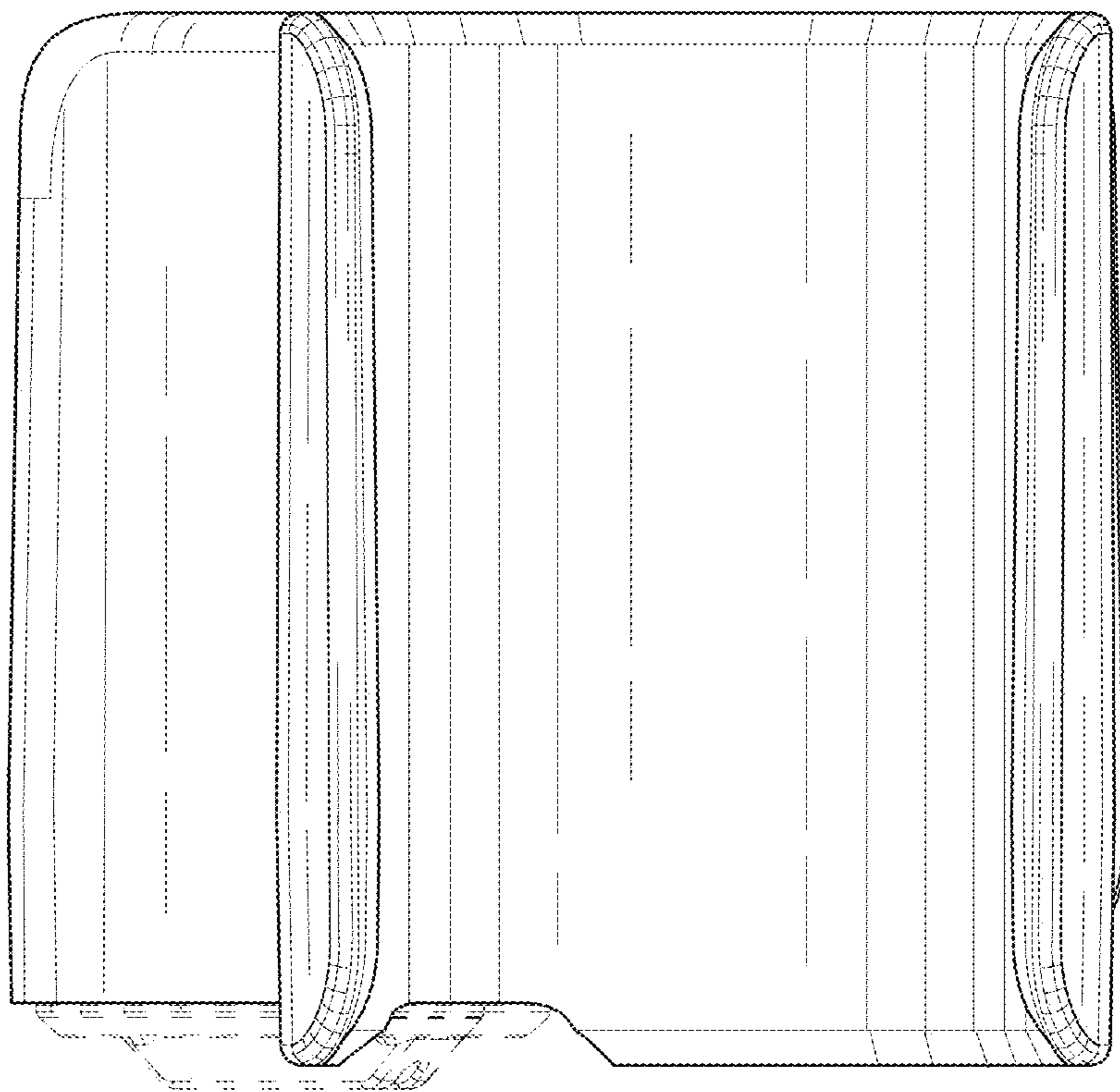


FIG.4

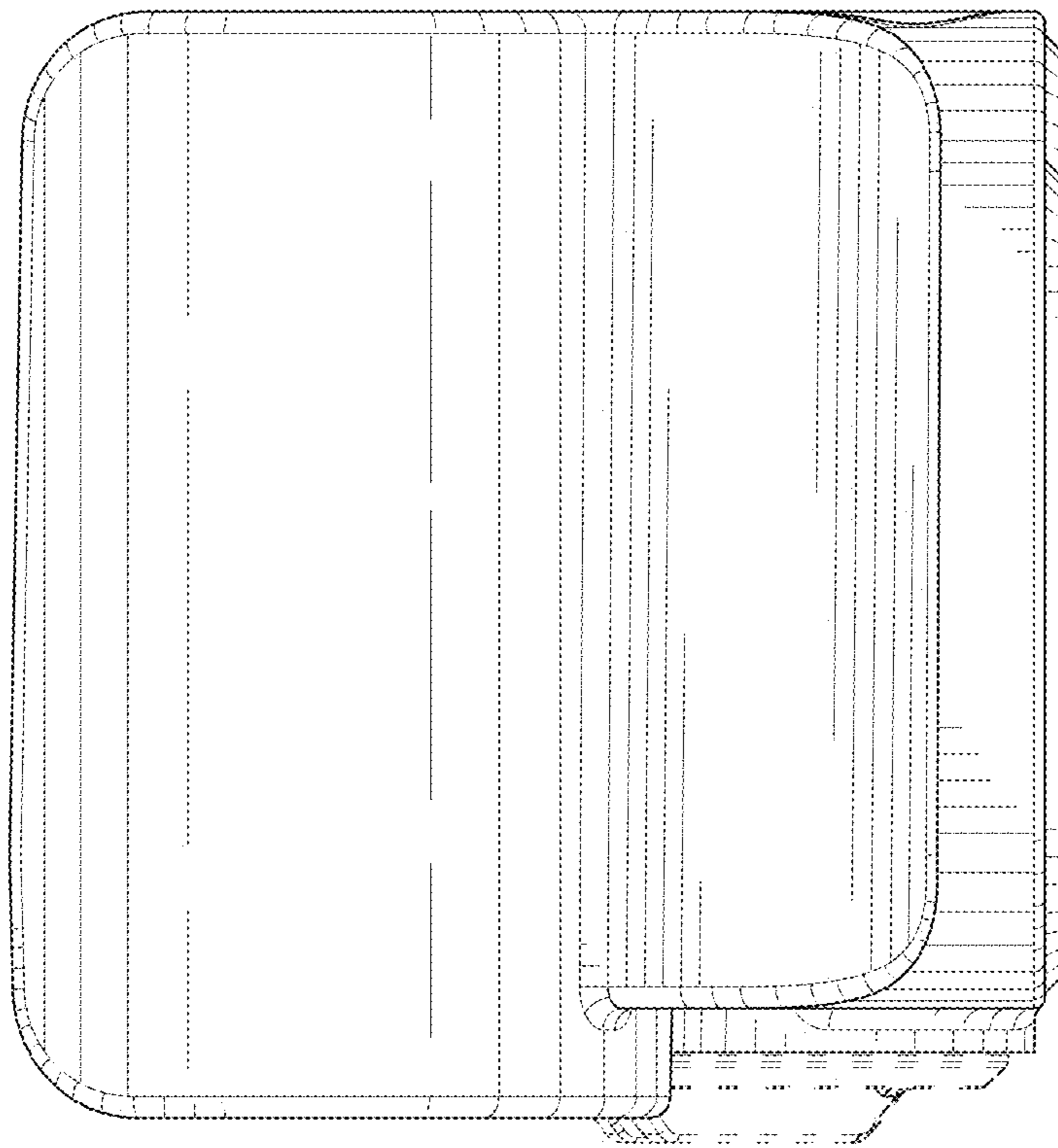


FIG.5

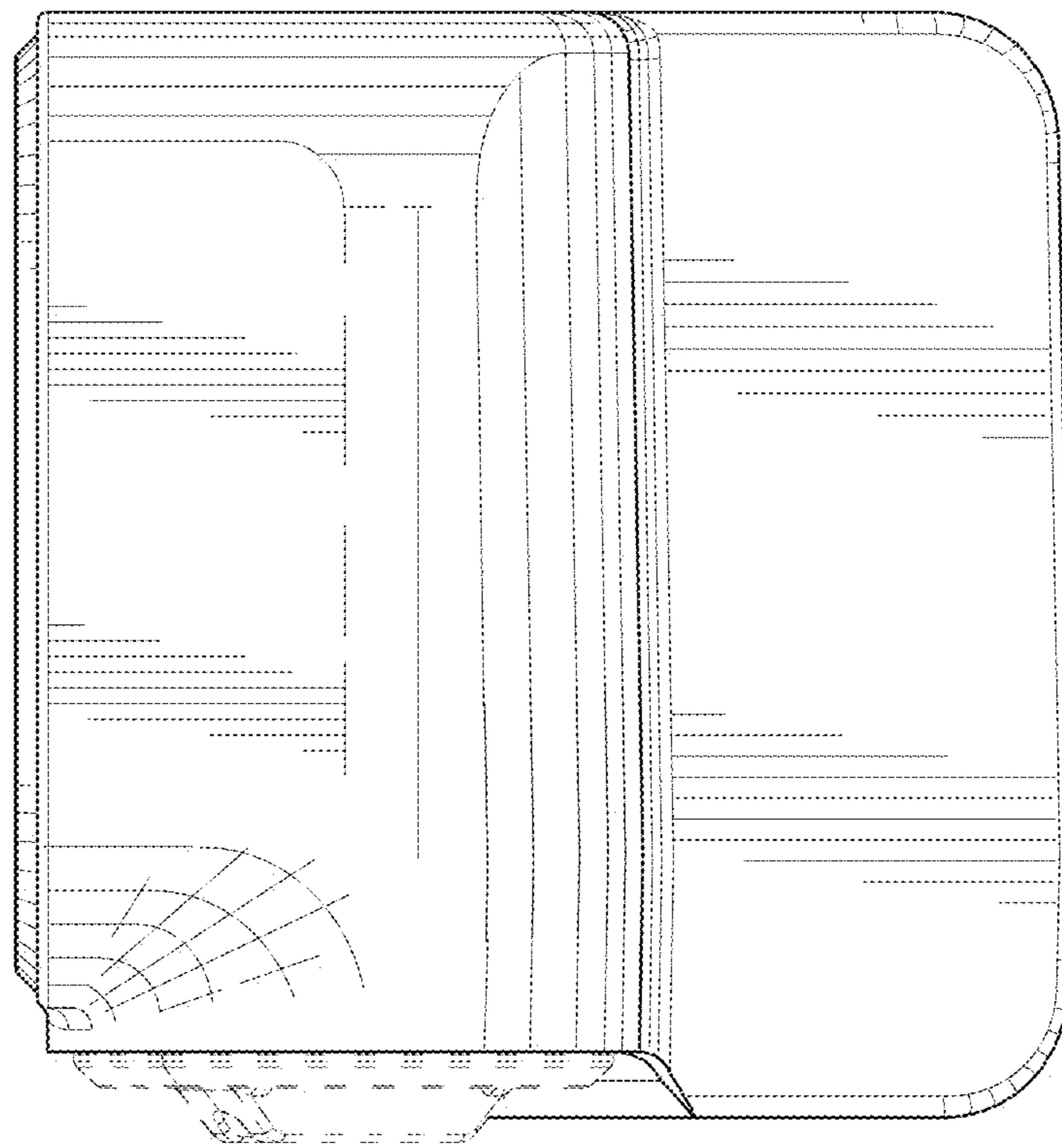


FIG.6

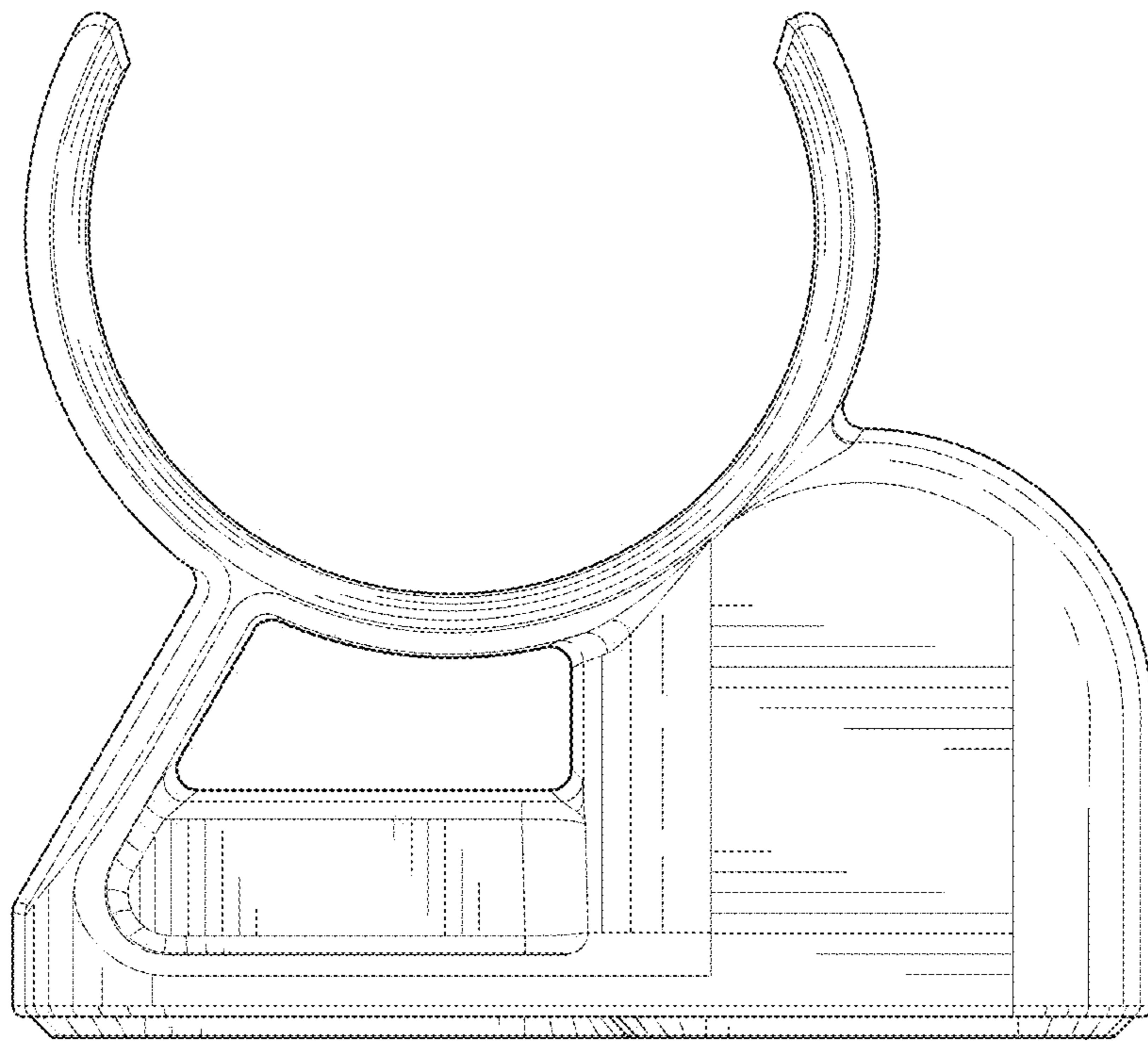


FIG.7



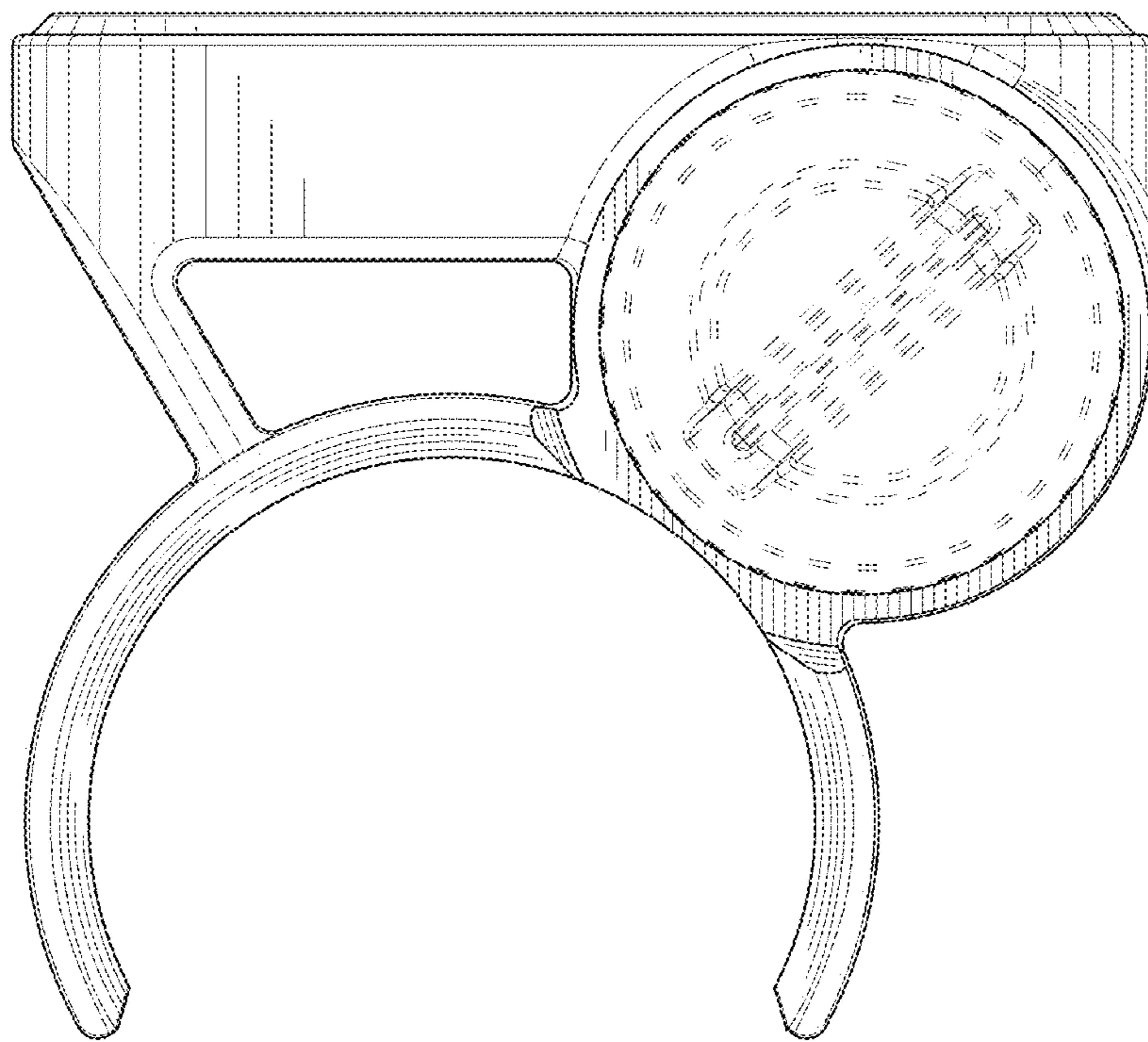


FIG. 8

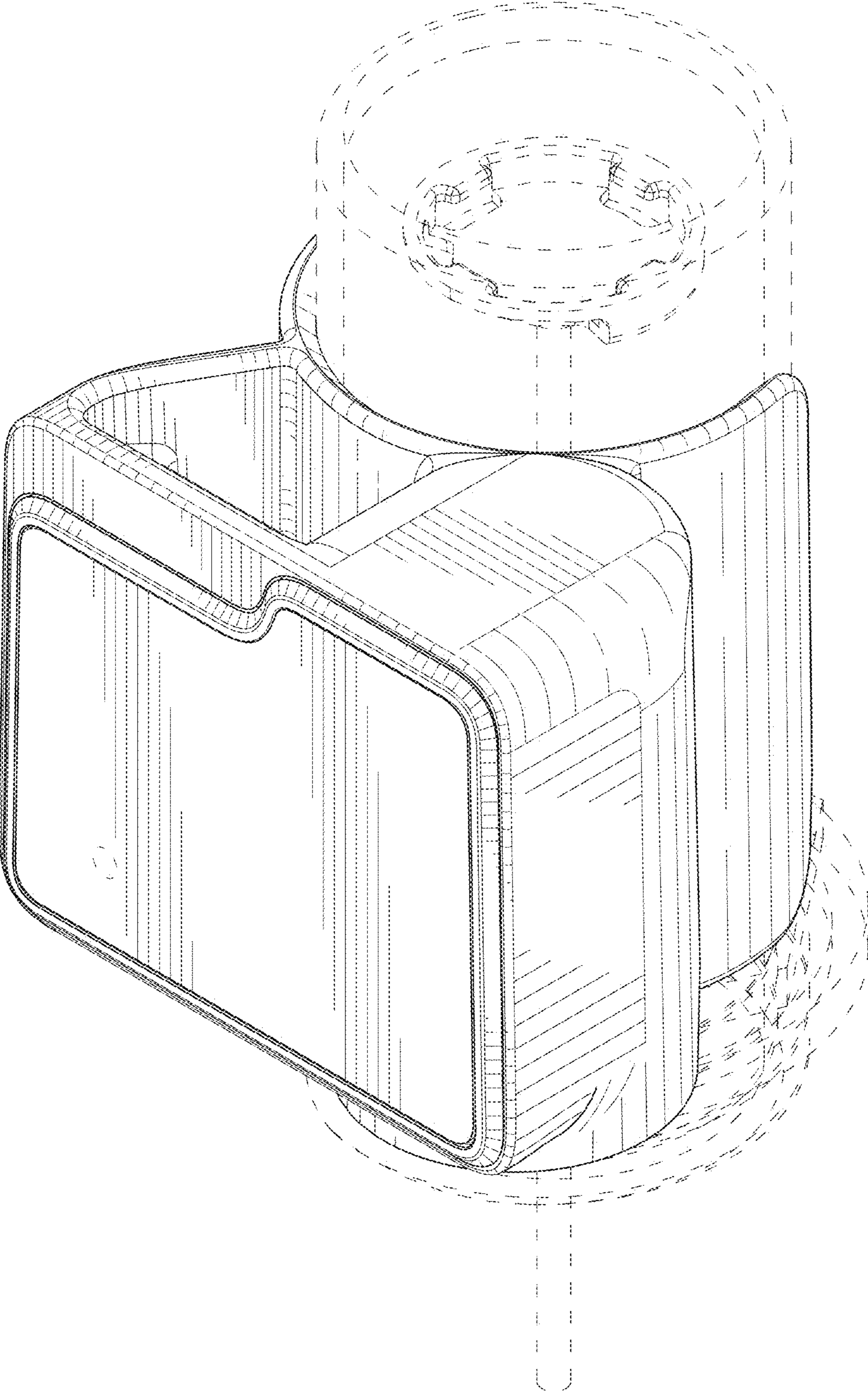


FIG.9