



US00D979433S

(12) **United States Design Patent** (10) **Patent No.:** **US D979,433 S**
Hawkins, III et al. (45) **Date of Patent:** **** Feb. 28, 2023**

(54) **CYCLING COMPUTER**
(71) Applicant: **Wahoo Fitness LLC**, Atlanta, GA (US)
(72) Inventors: **Harold M. Hawkins, III**, Atlanta, GA (US); **Megan K. Powers**, Marietta, GA (US); **William A. Hammond**, Atlanta, GA (US); **Shane A. Byler**, Mableton, GA (US); **Alan Bengtson**, Atlanta, GA (US)

6,584,872 B1 7/2003 Kojima
6,774,771 B2 8/2004 Takeda
D551,348 S 9/2007 Lee
D652,779 S 1/2012 Richter
D674,322 S 1/2013 Hilgart et al.
(Continued)

FOREIGN PATENT DOCUMENTS

CN 2017-83132 W 5/2016
CN 2017-54793 9/2016
(Continued)

(73) Assignee: **Wahoo Fitness LLC**, Atlanta, GA (US)
(**) Term: **15 Years**

Primary Examiner — Antoine Duval Davis
(74) *Attorney, Agent, or Firm* — Polsinelli PC; Gregory P. Durbin

(21) Appl. No.: **29/780,409**
(22) Filed: **Apr. 23, 2021**
(51) **LOC (14) Cl.** **10-04**
(52) **U.S. Cl.**
USPC **D10/98**
(58) **Field of Classification Search**
USPC D10/98
CPC A63B 24/0062; A63B 69/16; A63B 2024/0009; A63B 2024/0065; A63B 2024/0068; A63B 2024/0012; A63B 2230/00; A63B 2220/17; A63B 2220/00; A63B 2220/20; A63B 2220/30; A63B 2230/04; A63B 2230/202; A63B 2230/207; A63B 2230/30; A63B 2230/50; G01C 22/002; G01C 22/00; G06F 1/1616; G06F 1/1626; G06F 1/1633; B62J 45/20
See application file for complete search history.

(57) **CLAIM**

The ornamental design for a cycling computer, as shown and described.

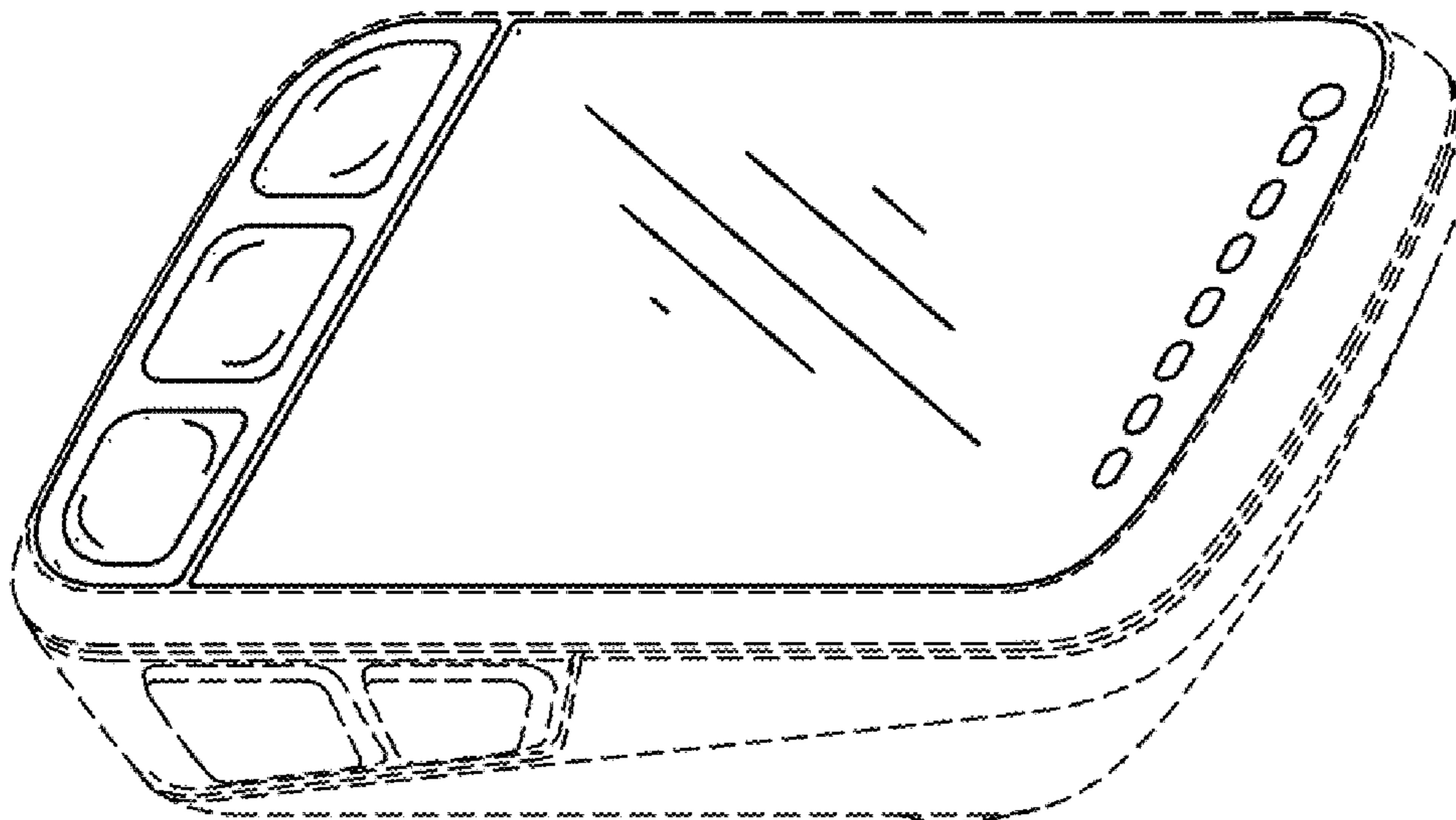
DESCRIPTION

FIG. 1 is a topside perspective view of a cycling computer showing our new design.
FIG. 2 is a topside perspective view of the cycling computer showing the cycling computer mounted to the front of a bicycle.
FIG. 3 is a top plan view thereof.
FIG. 4 is a bottom plan view thereof.
FIG. 5 is a left side view thereof.
FIG. 6 is a right side view thereof.
FIG. 7 is a front elevation view thereof; and,
FIG. 8 is a back elevation view thereof.
The broken lines shown in the drawings represent visible environmental structure or unclaimed portions of the structure of the cycling computer, and form no part of the claimed design. The broken lines showing portions of a bicycle in FIG. 2 illustrated visible environmental structure; all other broken lines in the drawings show unclaimed portions of a cycling computer. The shade lines in the drawings show contour and not surface ornamentation.

(56) **References Cited**
U.S. PATENT DOCUMENTS

D337,952 S 8/1993 Wolff
D343,816 S 2/1994 De Silva
6,227,068 B1 5/2001 Masui et al.
6,305,241 B1 10/2001 Masui et al.

1 Claim, 6 Drawing Sheets



(56)

References Cited

U.S. PATENT DOCUMENTS

D738,971 S	9/2015	Riddiford et al.	
D742,207 S	11/2015	Oquendo et al.	
9,397,719 B1	7/2016	Schmidt	
9,402,016 B1	7/2016	Hidalgo	
D767,555 S	9/2016	Lee	
D772,219 S	11/2016	Daniels et al.	
D772,220 S	11/2016	Daniels et al.	
9,604,686 B2	3/2017	Wadey et al.	
9,663,173 B2	5/2017	Wadey et al.	
D790,527 S	6/2017	O'Neill et al.	
D832,860 S	11/2018	Murphey et al.	
D837,100 S	1/2019	Jang	
D838,214 S	1/2019	Jang	
D841,075 S	2/2019	Martin et al.	
D850,962 S *	6/2019	Mendez	D10/98
D860,915 S	9/2019	Tang	
D873,721 S	1/2020	Nagano	
D877,636 S *	3/2020	Haag	D10/98
D877,637 S *	3/2020	Haag	D10/98
D885,222 S *	5/2020	Haag	D10/98
D905,581 S	12/2020	Wada et al.	
D915,949 S	4/2021	Mendez et al.	

D922,891 S	6/2021	Mendez et al.	
11,029,734 B2	6/2021	Hawkins, III et al.	
D939,987 S *	1/2022	Heggland	D10/98
D951,107 S	5/2022	Kuang	
2005/0180150 A1	8/2005	Okada et al.	
2007/0108244 A1	5/2007	Chuang	
2007/0119888 A1	5/2007	Chuang	
2010/0246199 A1	9/2010	Ma et al.	
2011/0051340 A1	3/2011	Onnela et al.	
2013/0098959 A1	4/2013	Onogi	
2015/0183478 A1	7/2015	Tate et al.	
2016/0131166 A1	5/2016	Cox	
2016/0309865 A1	10/2016	Chiang	
2016/0373152 A1	12/2016	Schmidt	
2018/0203488 A1	7/2018	Hawkins, III et al.	
2019/0154190 A1	5/2019	Yun	
2020/0050086 A1	2/2020	Thomson	

FOREIGN PATENT DOCUMENTS

CN	304339980 S	11/2017
CN	305295982 S	8/2019
TW	D147508 S	6/2012
WO	WO 2014164461 A1	10/2014

* cited by examiner

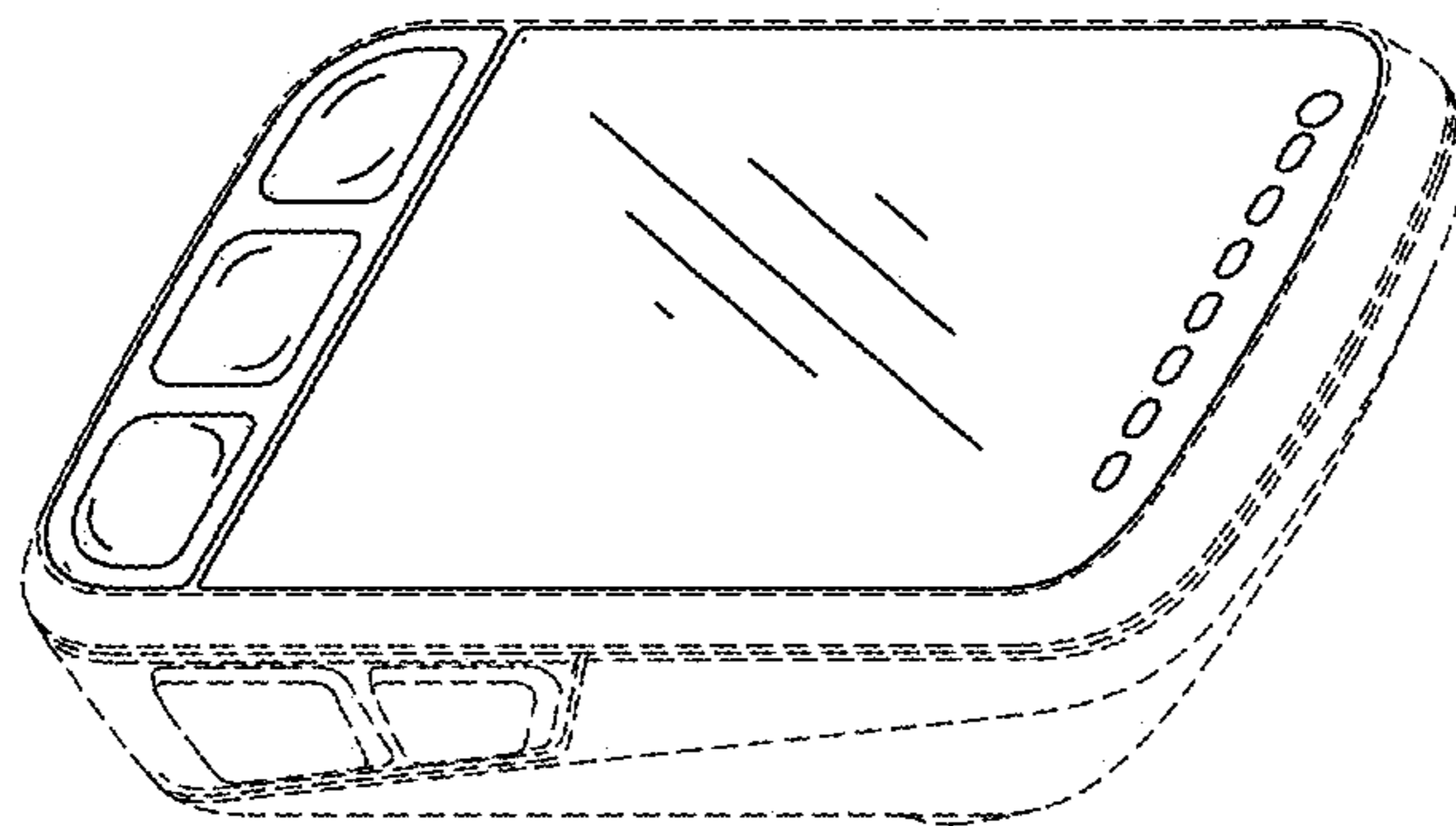


FIG. 1

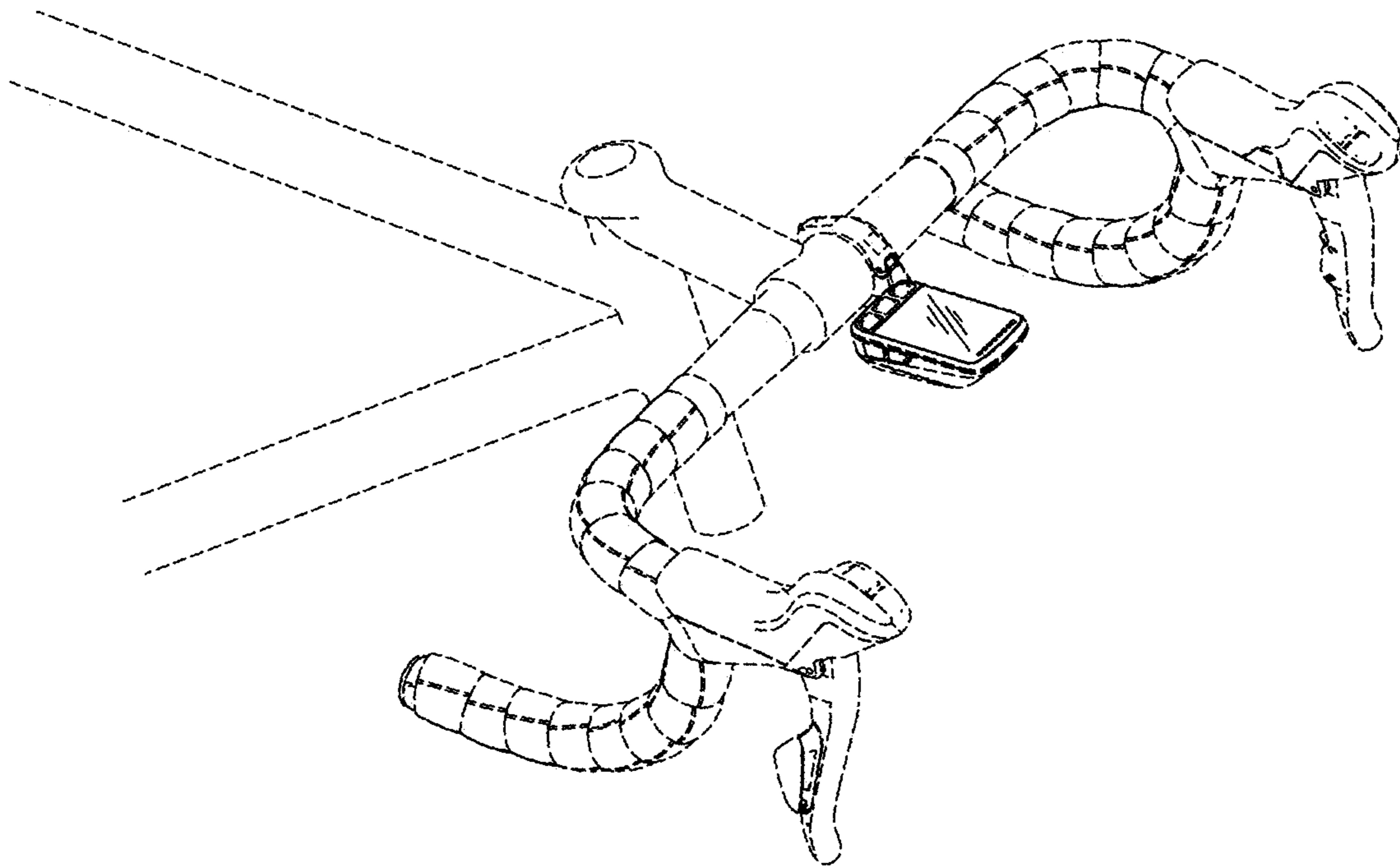


FIG.2

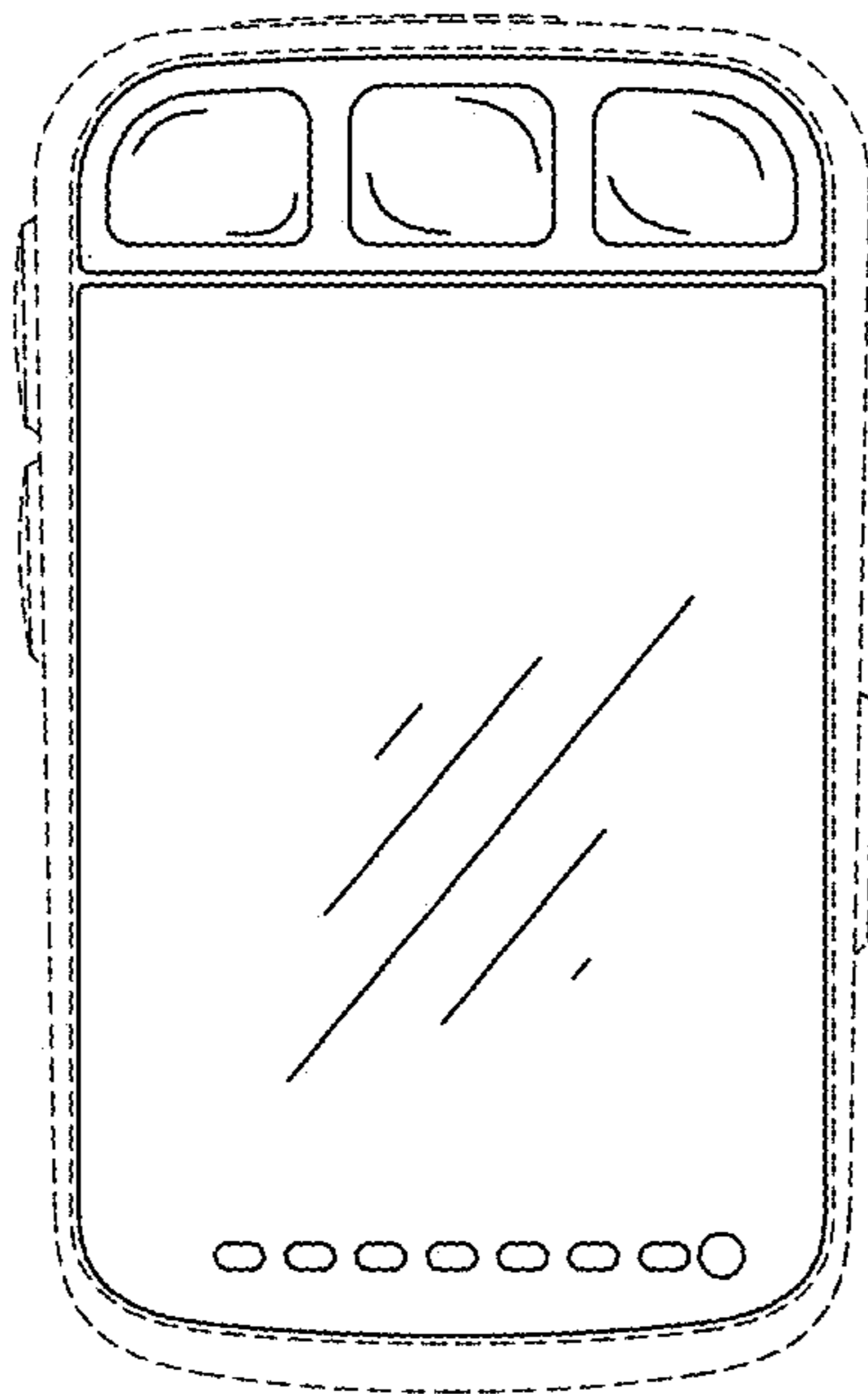


FIG. 3

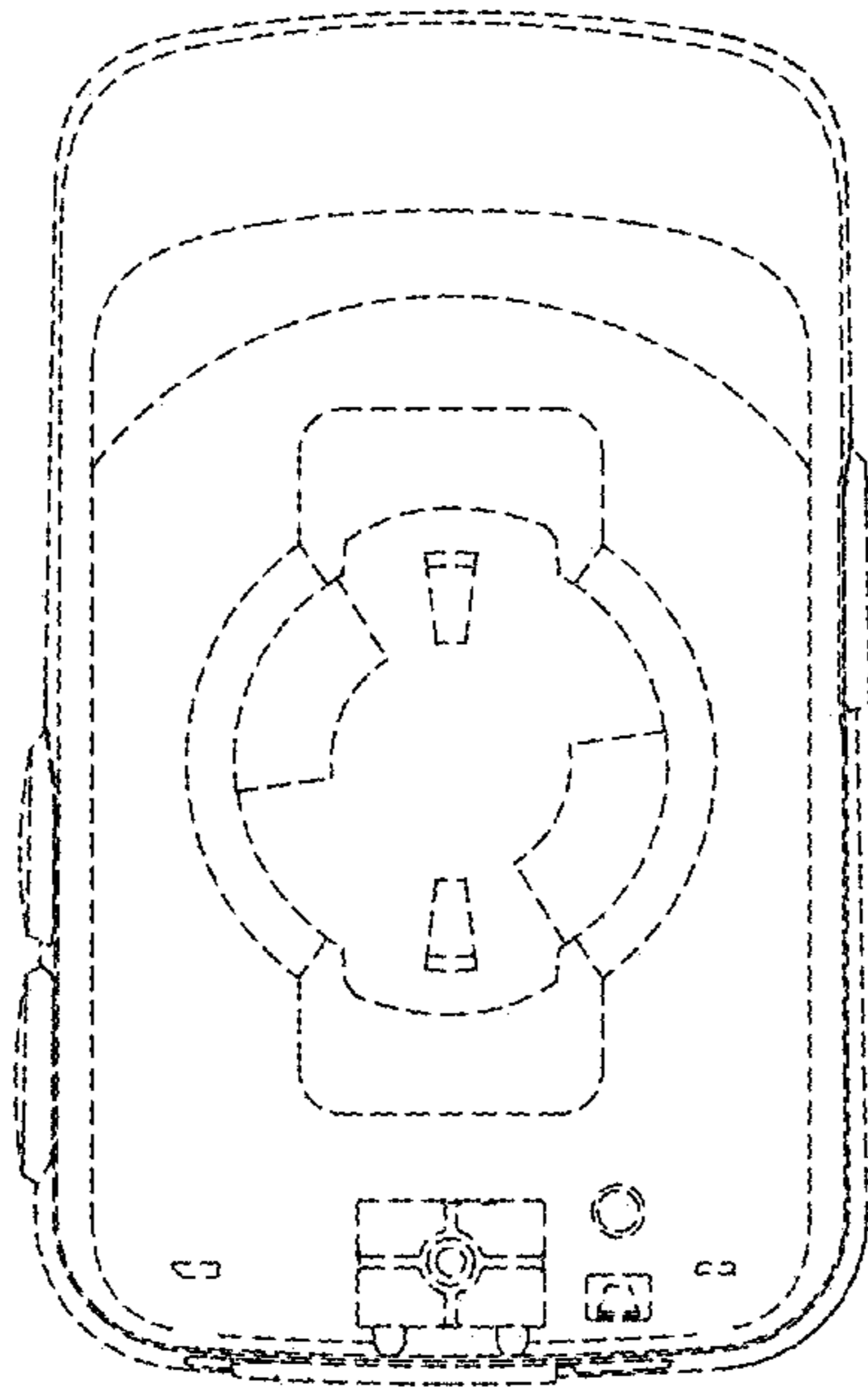


FIG. 4

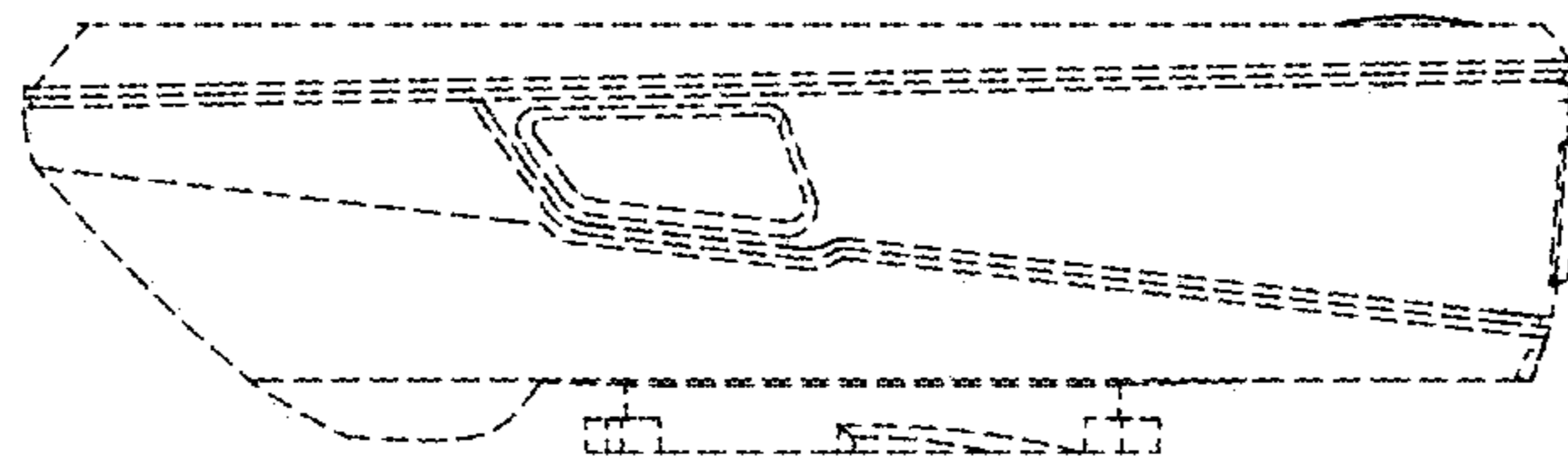


FIG. 5

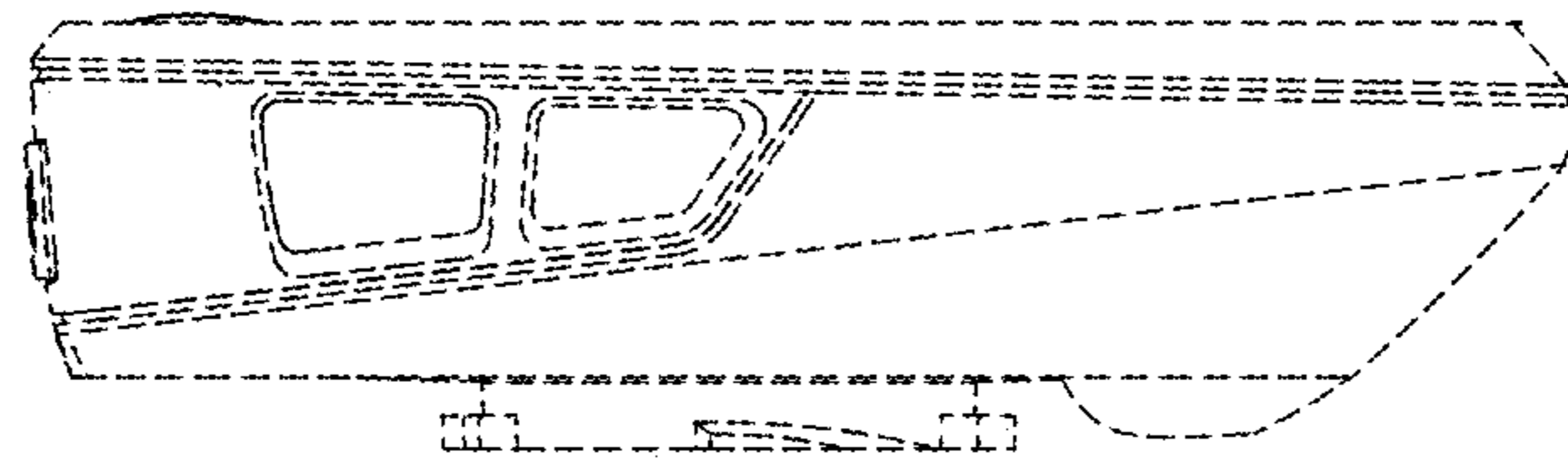


FIG. 6

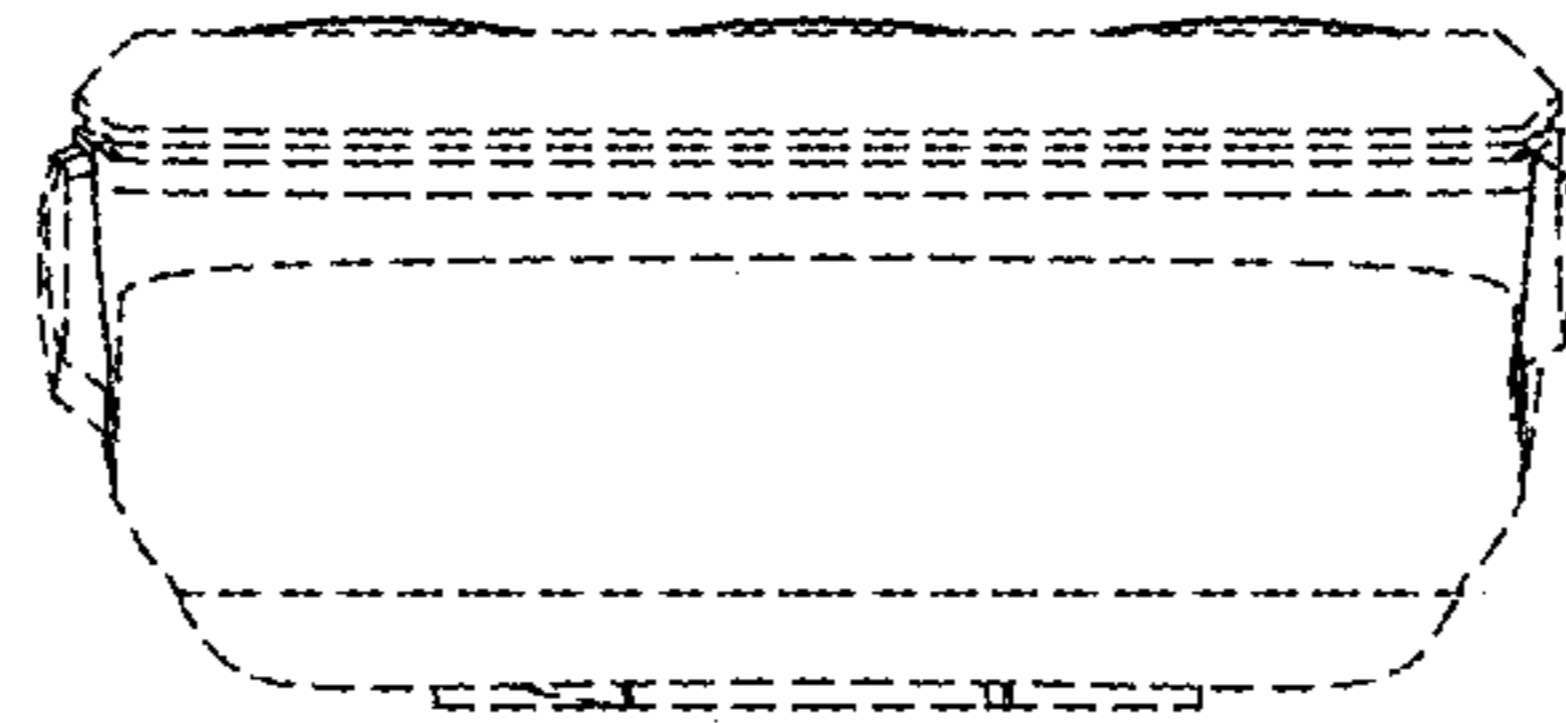


FIG. 7

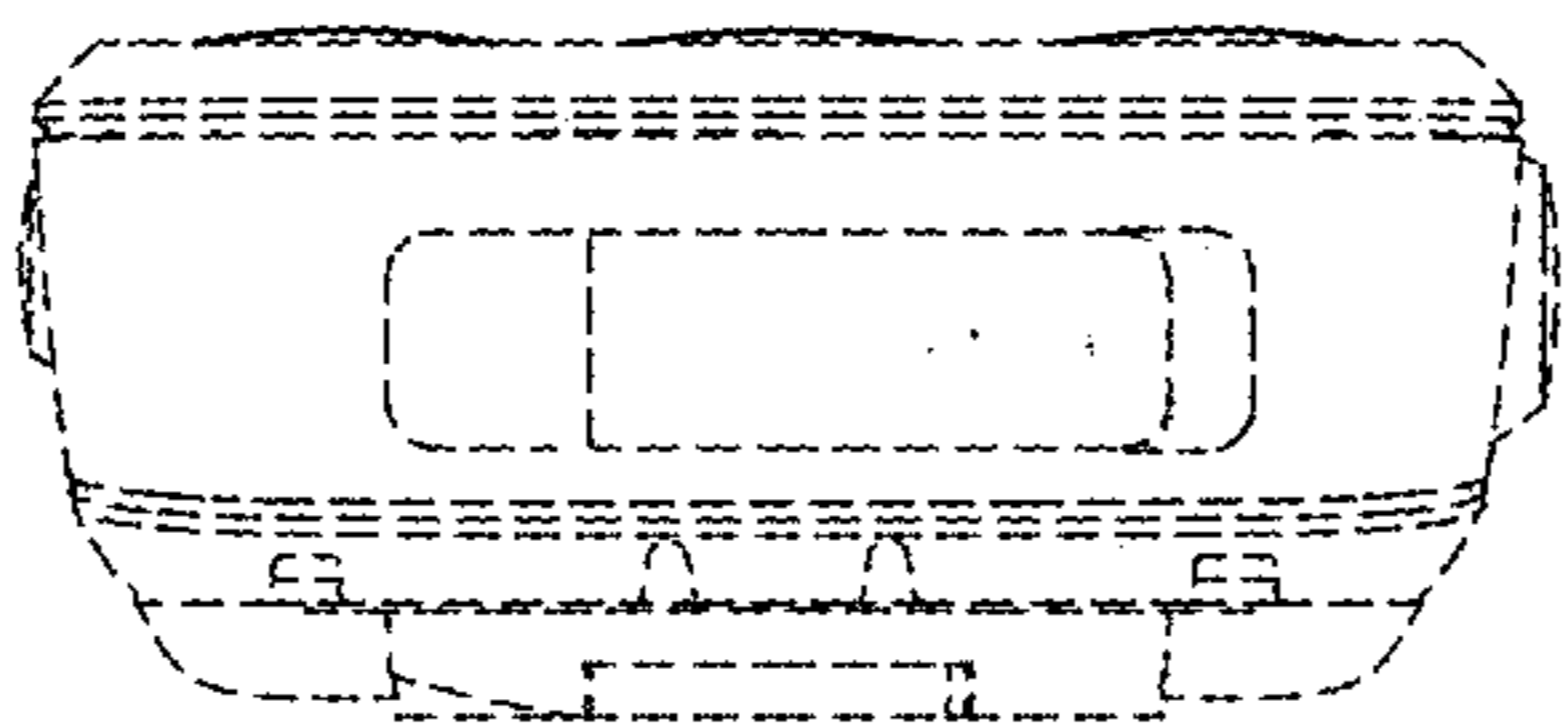


FIG. 8