



US00D979432S

(12) **United States Design Patent** (10) **Patent No.:** **US D979,432 S**
Gao (45) **Date of Patent:** **** Feb. 28, 2023**

(54) **BODY SCALE**

(71) Applicant: **Guangdong Welland Technology Co., Ltd**, Guangdong (CN)

(72) Inventor: **Ruijun Gao**, Guangdong (CN)

(73) Assignee: **Guangdong Welland Technology Co., Ltd**

(**) Term: **15 Years**

(21) Appl. No.: **29/781,437**

(22) Filed: **Apr. 29, 2021**

(51) **LOC (14) Cl.** **10-04**

(52) **U.S. Cl.**
USPC **D10/92**

(58) **Field of Classification Search**
USPC D10/92
CPC G01G 19/44; G01G 19/445; G01G 19/46;
G01G 19/48; G01G 19/50; G01G 21/28;
G01G 21/44

See application file for complete search history.

(56) **References Cited**

U.S. PATENT DOCUMENTS

D853,260 S * 7/2019 Wang D10/92
D912,554 S * 3/2021 Liu D10/92
D932,328 S * 10/2021 Qiao D10/92

* cited by examiner

Primary Examiner — Antoine Duval Davis

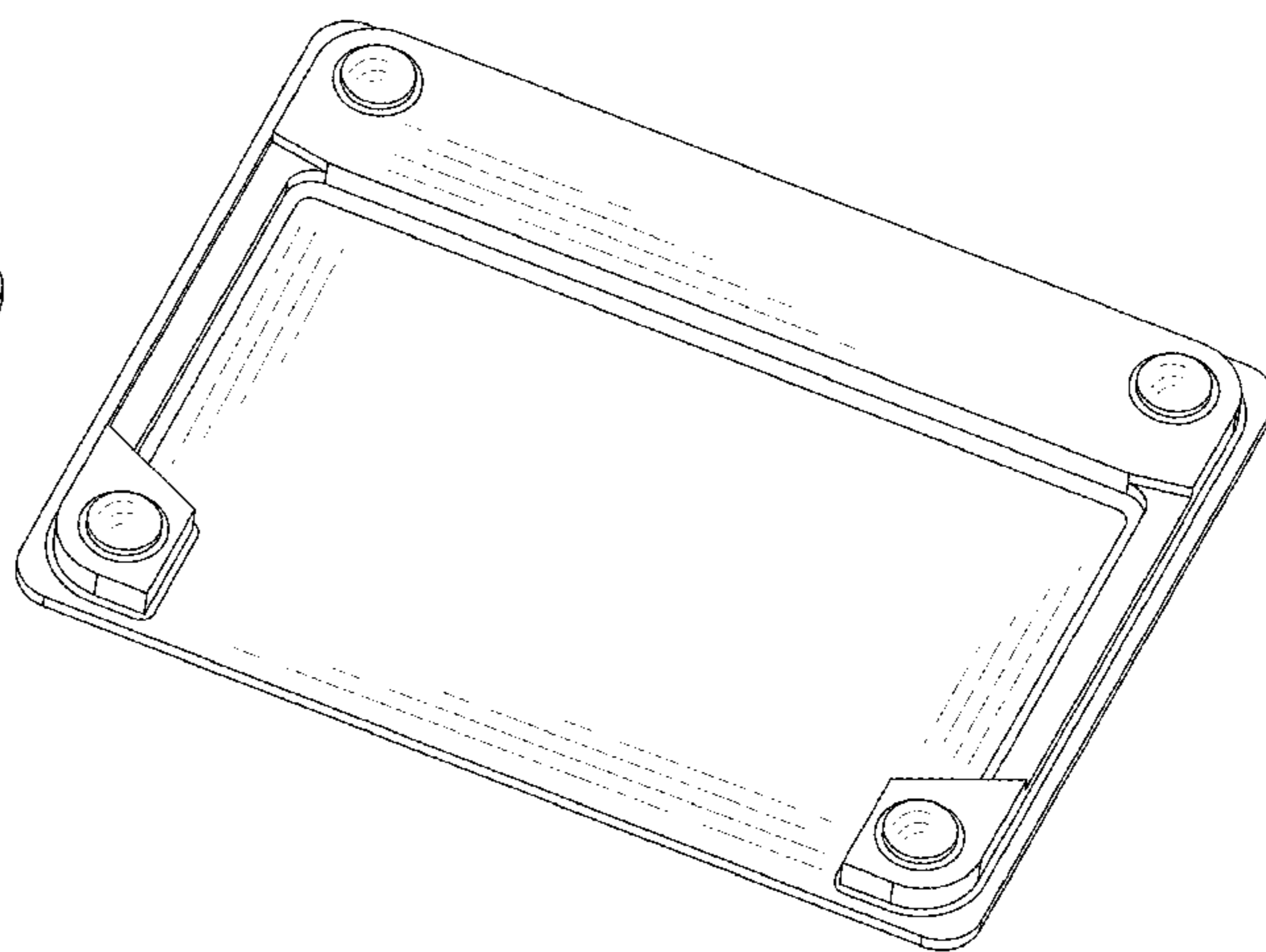
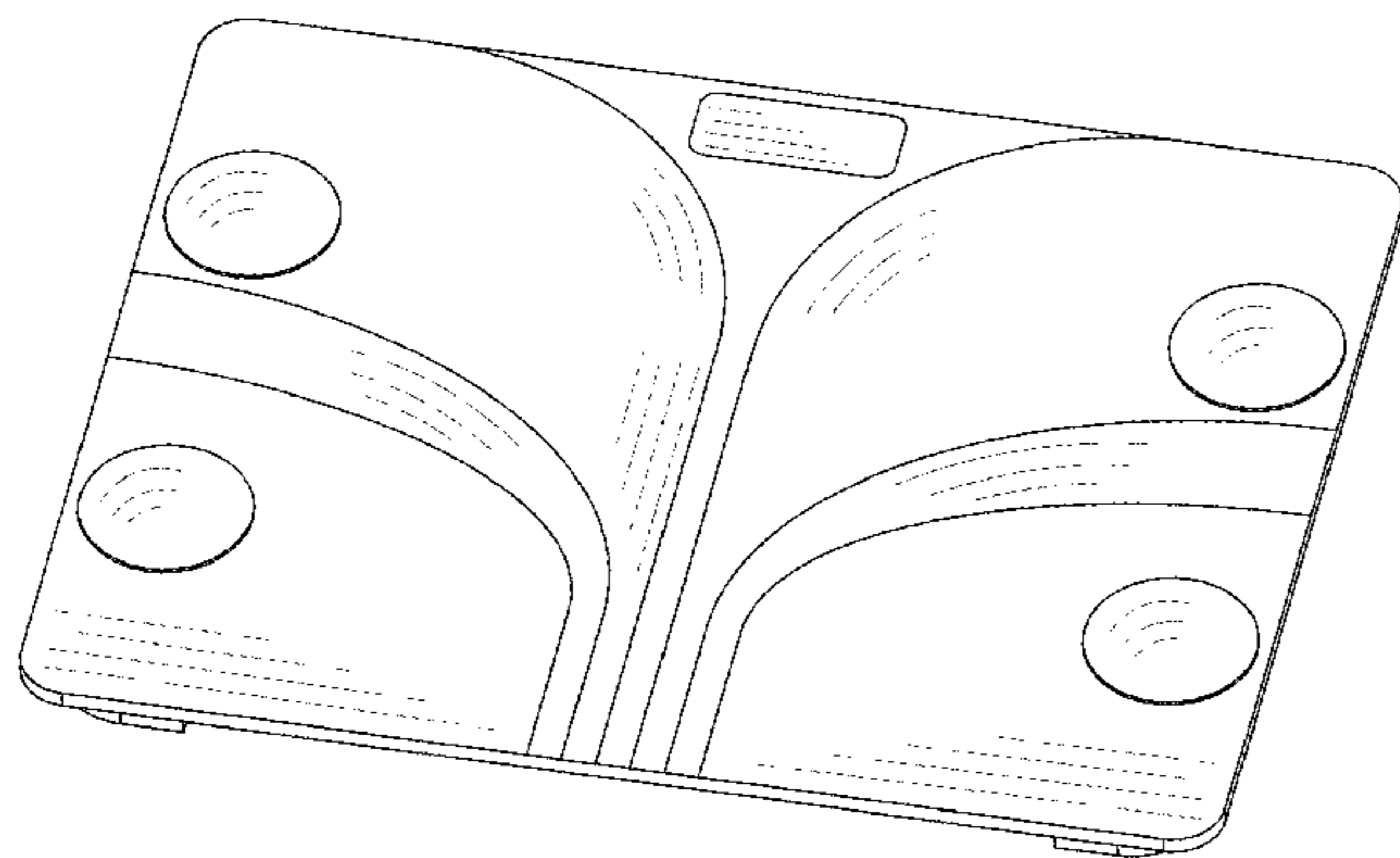
(57) **CLAIM**

The ornamental design for a body scale, as shown and described.

DESCRIPTION

FIG. 1 is a top view of a body scale;
FIG. 2 is a bottom view of the body scale;
FIG. 3 is a right side view of the body scale;
FIG. 4 is a left side view of the body scale;
FIG. 5 is a front view of the body scale;
FIG. 6 is a back view of the body scale;
FIG. 7 is a top perspective view of the body scale; and,
FIG. 8 is a perspective view of the bottom of the body scale.

1 Claim, 8 Drawing Sheets



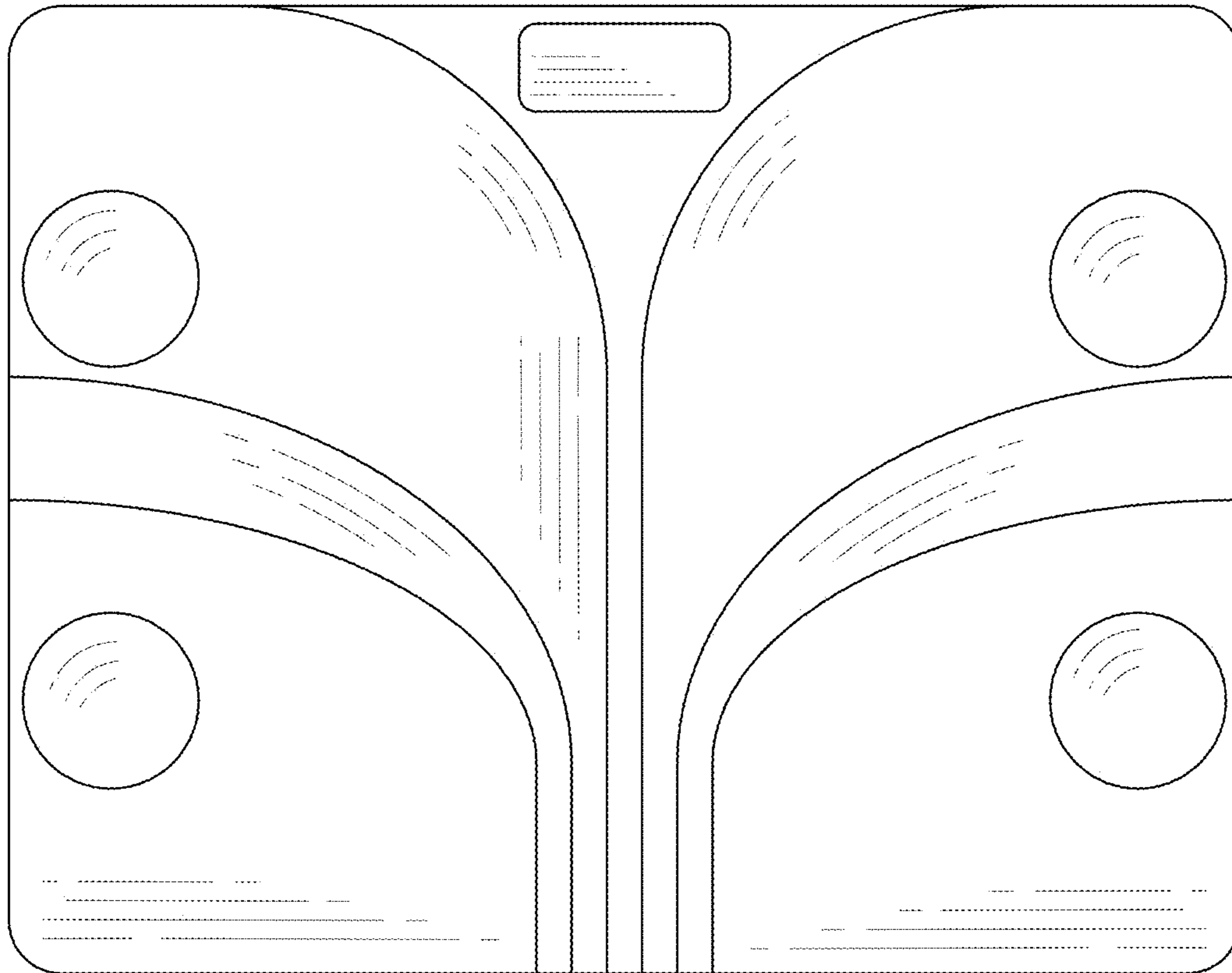


FIG 1

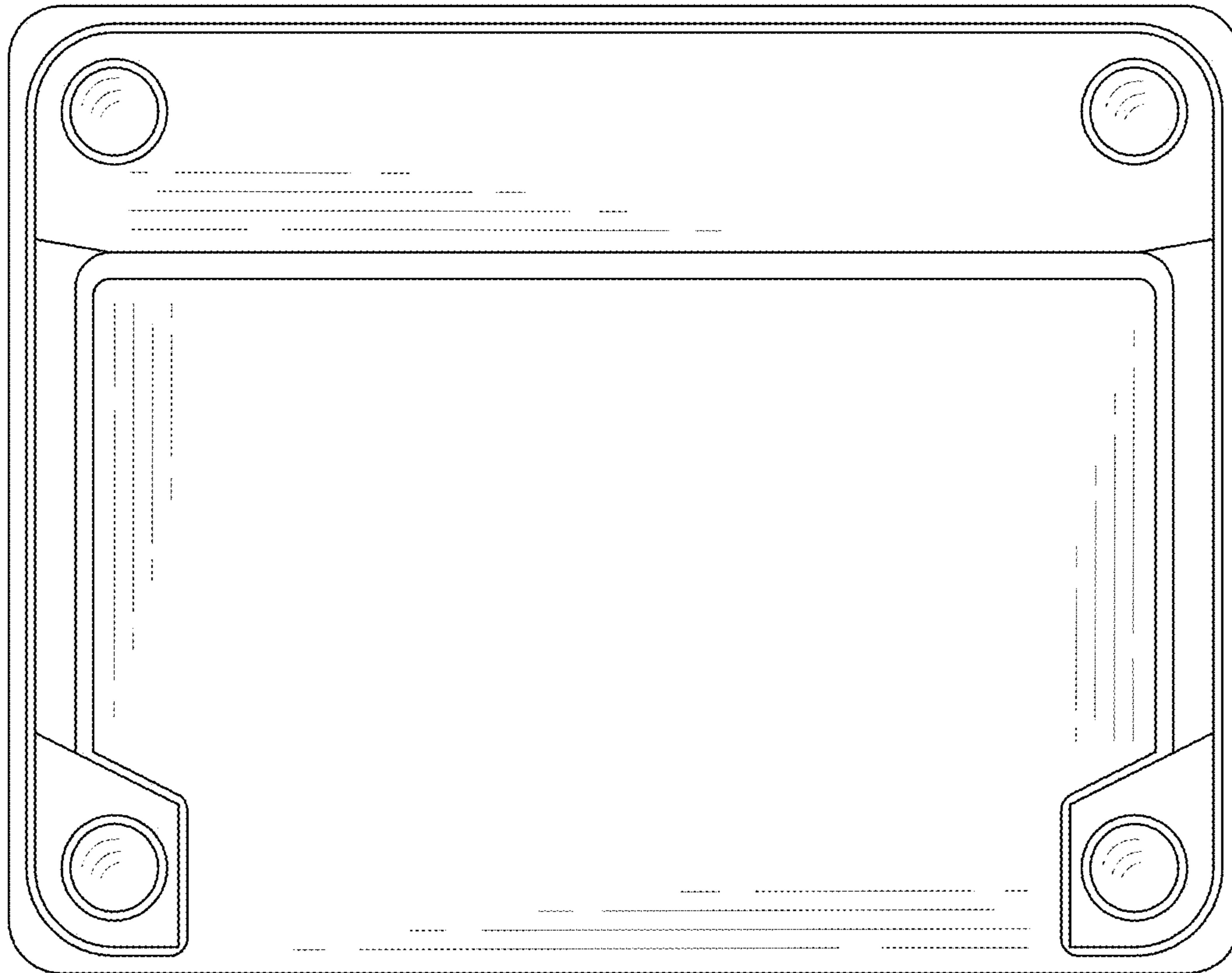


FIG 2



FIG 3

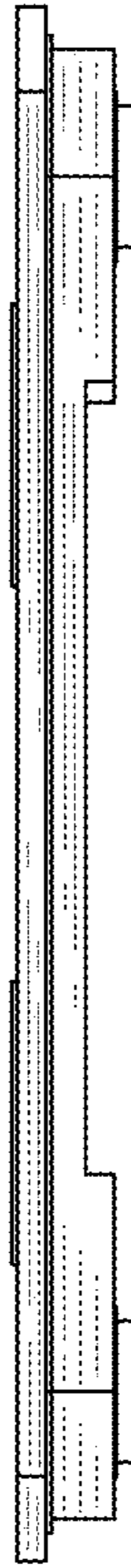


FIG 4

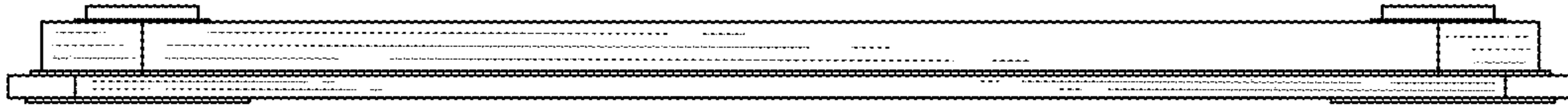


FIG 5

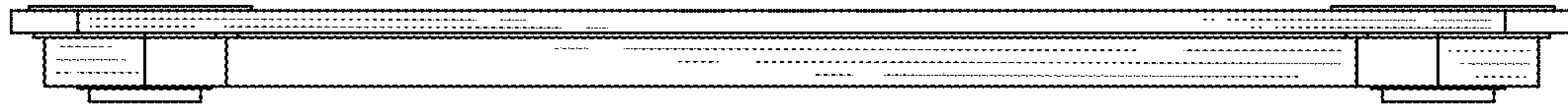


FIG 6

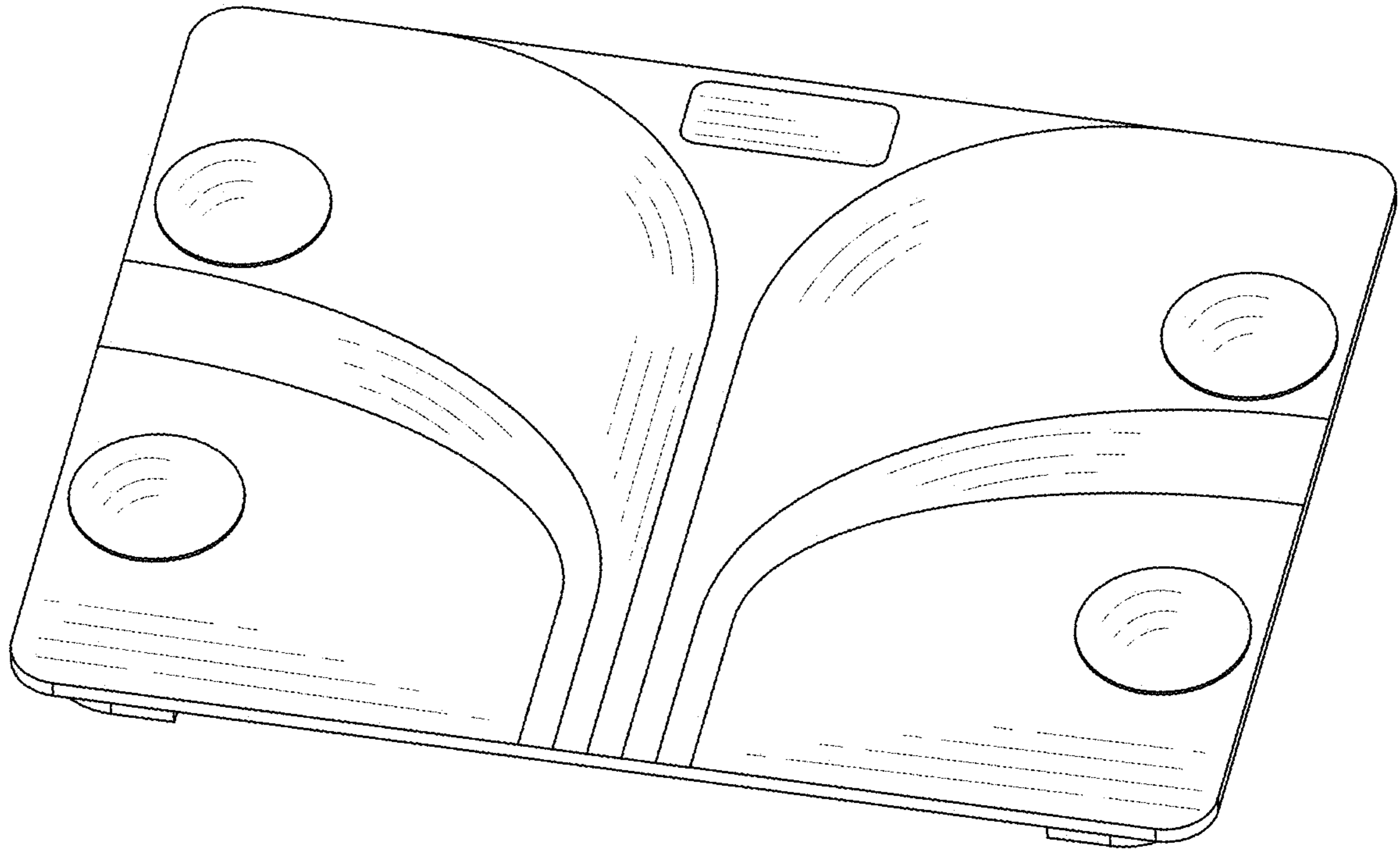


FIG 7

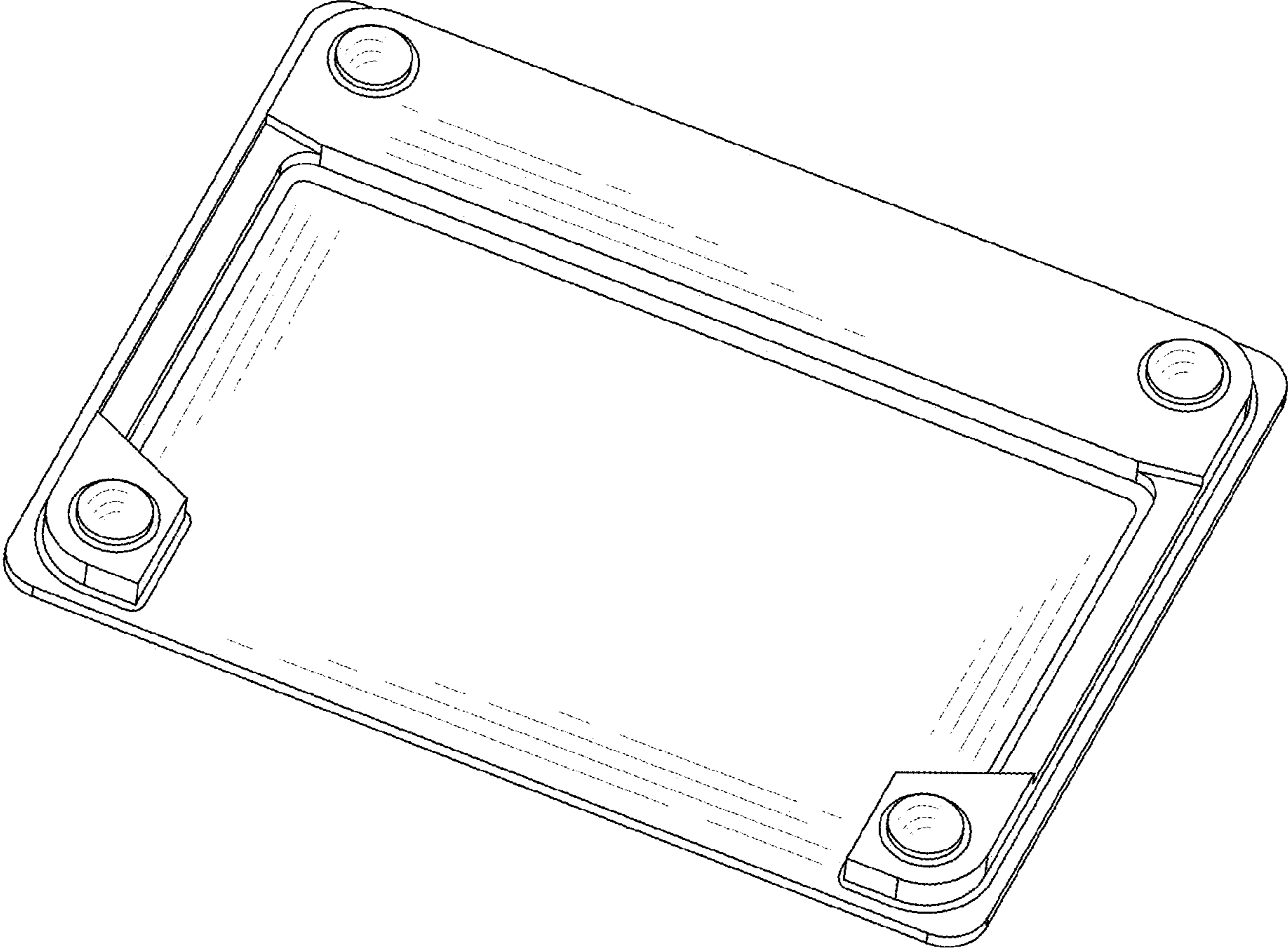


FIG 8