



US00D979429S

(12) **United States Design Patent**
Foster et al.

(10) **Patent No.:** **US D979,429 S**
(45) **Date of Patent:** **** Feb. 28, 2023**

(54) **HVAC CONTROL MODULE**

(71) Applicant: **Trox Corporation**, Randolph, NJ (US)

(72) Inventors: **Richard Foster**, Randolph, NJ (US);
Tyler Hrycak, Randolph, NJ (US)

(73) Assignee: **Trox Corporation**, Randolph, NJ (US)

(**) Term: **15 Years**

(21) Appl. No.: **29/773,383**

(22) Filed: **Mar. 9, 2021**

Related U.S. Application Data

(60) Provisional application No. 62/994,498, filed on Mar. 25, 2020.

(51) **LOC (14) Cl.** **10-04**

(52) **U.S. Cl.**
USPC **D10/50; D13/162**

(58) **Field of Classification Search**

USPC D14/240, 242, 357, 358, 140-140.9, 155,
D14/125, 137, 139, 243, 348, 349, 351,
D14/354, 355, 433, 435.1; D13/162;
D10/50

CPC H04L 12/00; H03K 17/00; H04W 88/00;
H04W 88/005; H04W 88/02; H04W
88/08; H04W 88/085; H04W 88/10;
H04W 88/12; H04W 88/14; H04B 1/38;
F24F 11/54; F24F 11/62; F24F 11/58;
F24F 11/56; F24F 11/52; F24F 2110/20;
F24F 2120/10; F24F 2110/66; G05D
23/1905

See application file for complete search history.

(56) **References Cited**

U.S. PATENT DOCUMENTS

D304,929 S * 12/1989 Bench D13/126
D305,230 S * 12/1989 Math D14/433

D324,514 S * 3/1992 Ishida D14/358
D336,302 S * 6/1993 Kwang D14/140.4
D442,171 S * 5/2001 Jang D14/242
D464,965 S * 10/2002 Wang D14/358
D486,481 S * 2/2004 Chen D14/242
D548,629 S * 8/2007 Rhine D10/74
D562,262 S * 2/2008 Takach D13/162
D570,791 S * 6/2008 Takach D13/162
D594,456 S * 6/2009 Huang D14/358
D643,318 S * 8/2011 Morrow D10/49
D660,732 S * 5/2012 Bould D10/49
D660,828 S * 5/2012 Petsch D14/240
D675,542 S * 2/2013 Breuer D10/50
D679,204 S * 4/2013 Breuer D10/49
D730,333 S * 5/2015 Matsumoto D14/240

(Continued)

FOREIGN PATENT DOCUMENTS

JP D1383272 * 3/2010

Primary Examiner — Bridget L Eland

(74) *Attorney, Agent, or Firm* — Rothwell, Figg, Ernst & Manbeck, P.C.

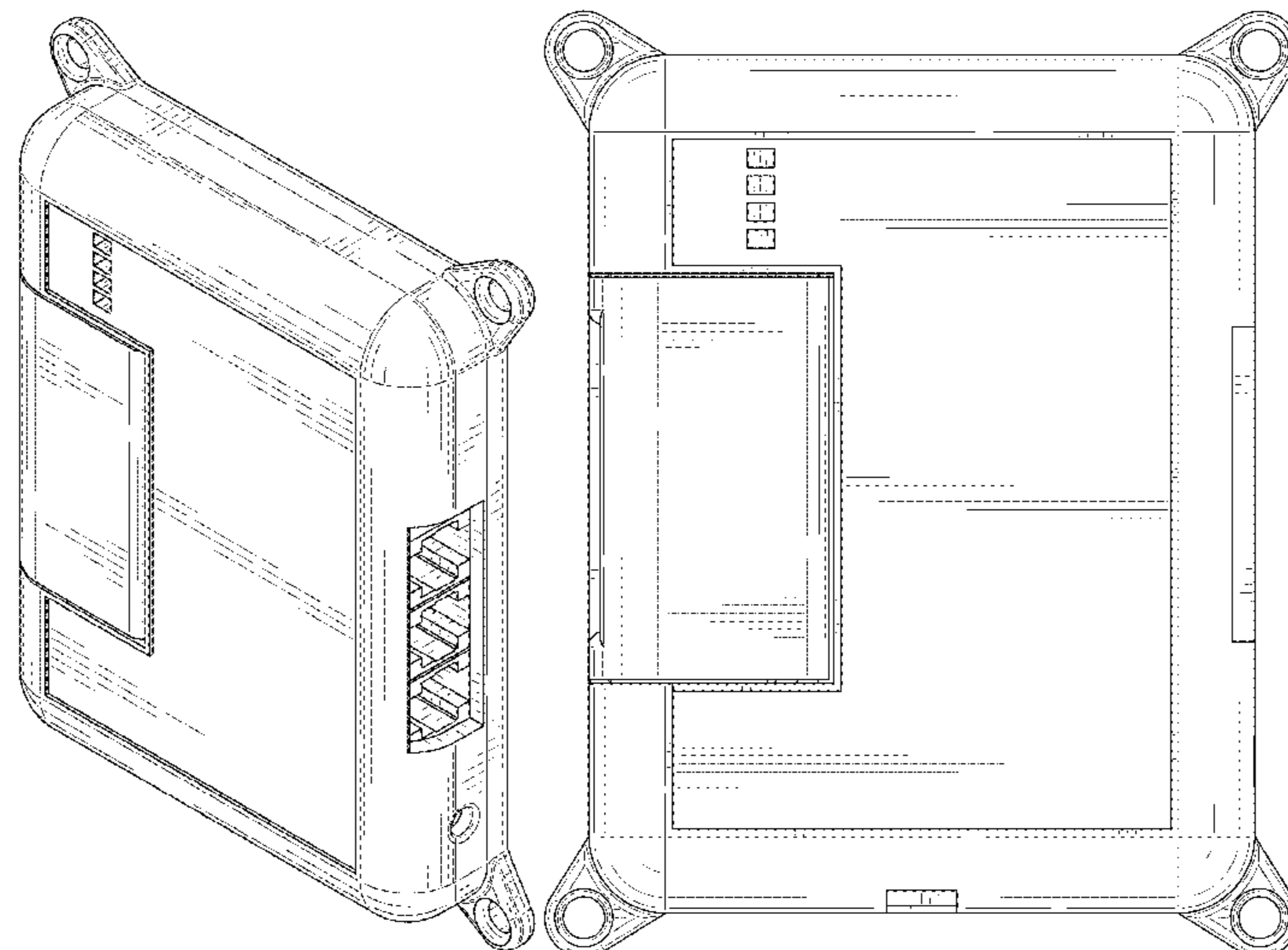
(57) **CLAIM**

The ornamental design for an HVAC control module, as shown and described.

DESCRIPTION

FIG. 1 is a front perspective view of the HVAC control module;
FIG. 2 is a front view of the HVAC control module;
FIG. 3 is a rear view of the HVAC control module;
FIG. 4 is a right side view of the HVAC control module;
FIG. 5 is a left side view of the HVAC control module;
FIG. 6 is a top view of the HVAC control module; and,
FIG. 7 is a bottom view of the HVAC control module.
The broken lines in the drawings illustrate portions of the HVAC control module that form no part of the claimed design.

1 Claim, 5 Drawing Sheets



(56)

References Cited

U.S. PATENT DOCUMENTS

D870,085	S	*	12/2019	Zhang	D14/188
D870,086	S	*	12/2019	Zhang	D14/188
D871,933	S	*	1/2020	Zhang	D10/50
D929,397	S	*	8/2021	Morisawa	D14/348
D958,127	S	*	7/2022	Zhang	D14/240
D958,128	S	*	7/2022	Zhang	D14/240
2021/0302048	A1	*	9/2021	Foster	F24F 11/54

* cited by examiner

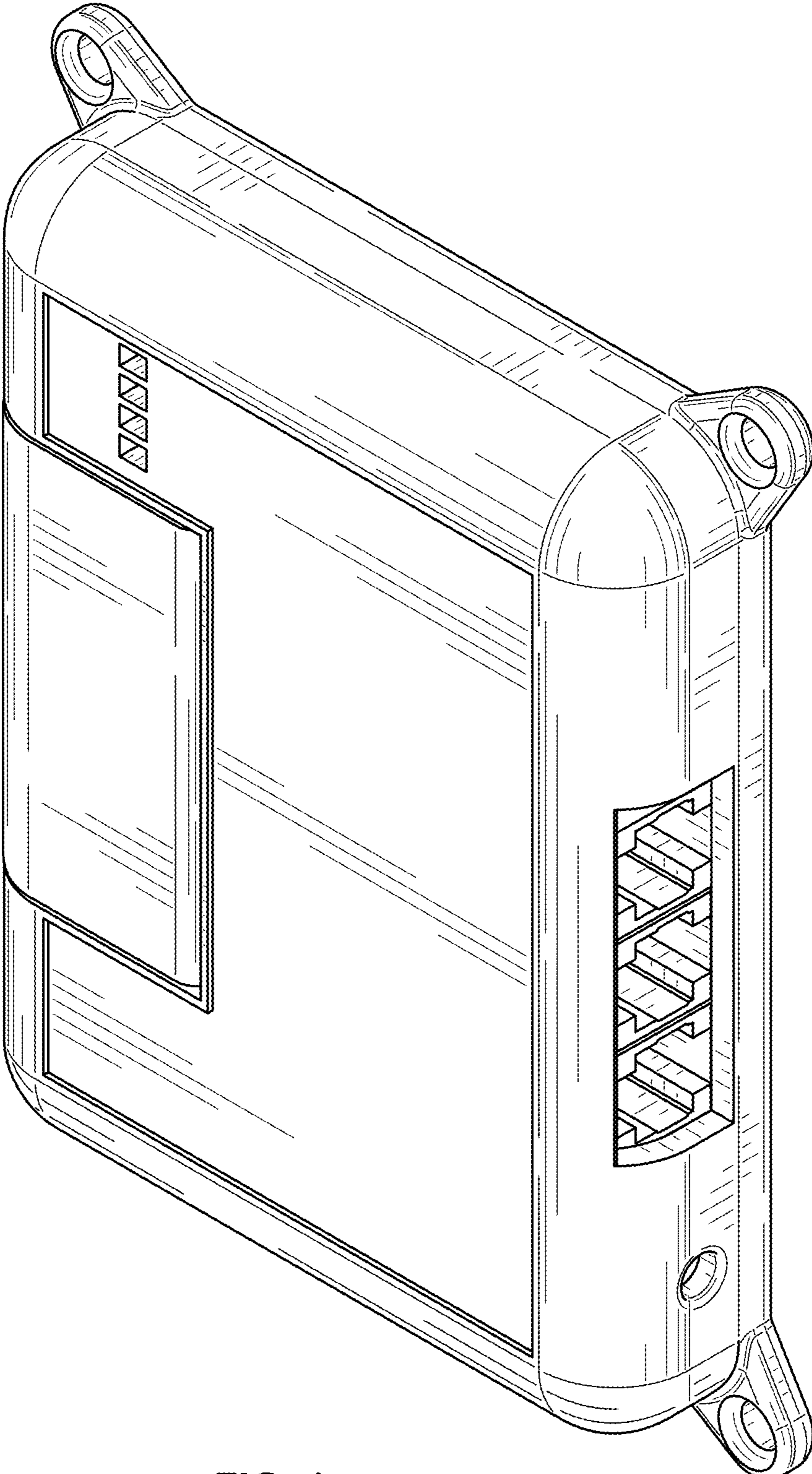


FIG. 1

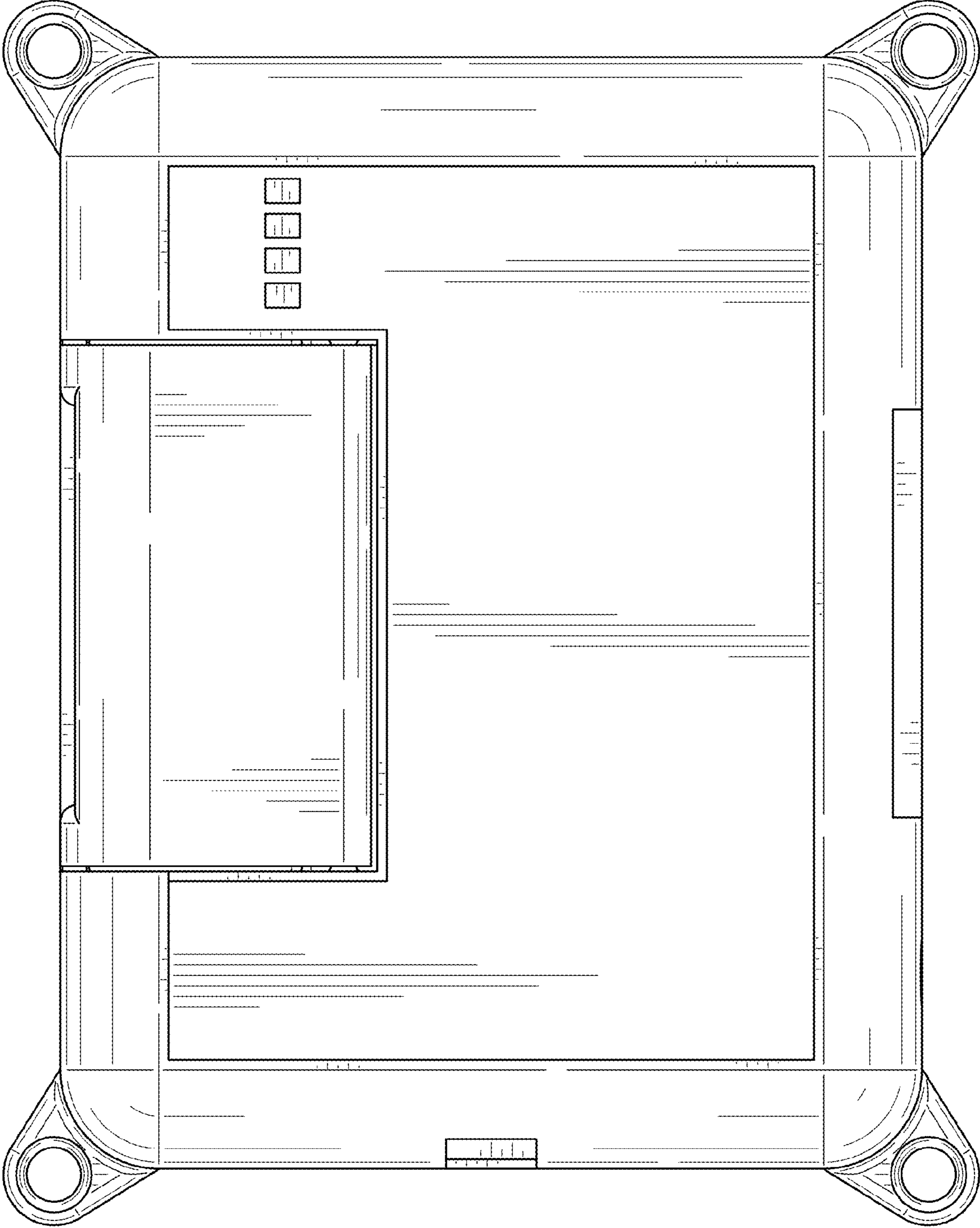


FIG. 2

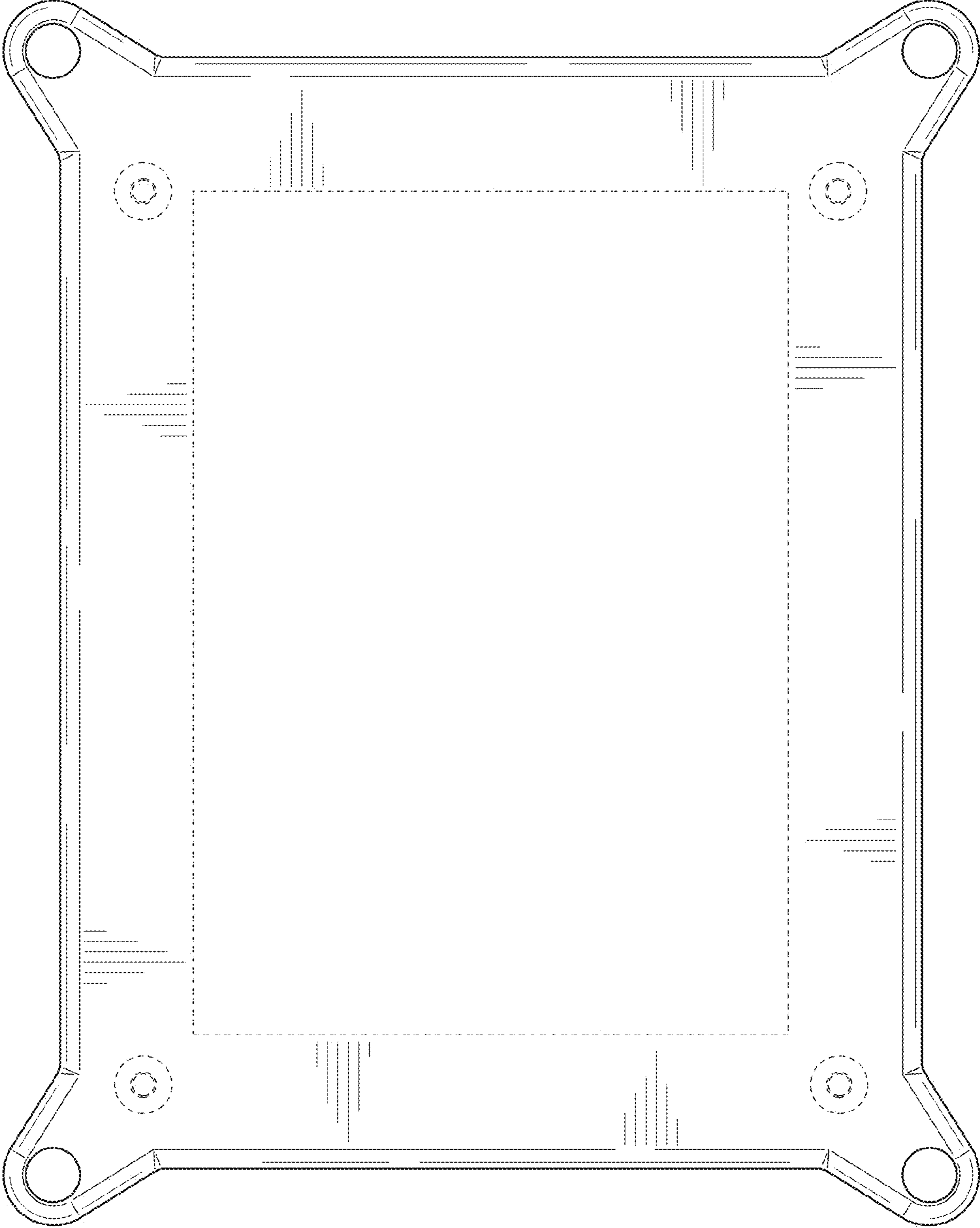


FIG. 3

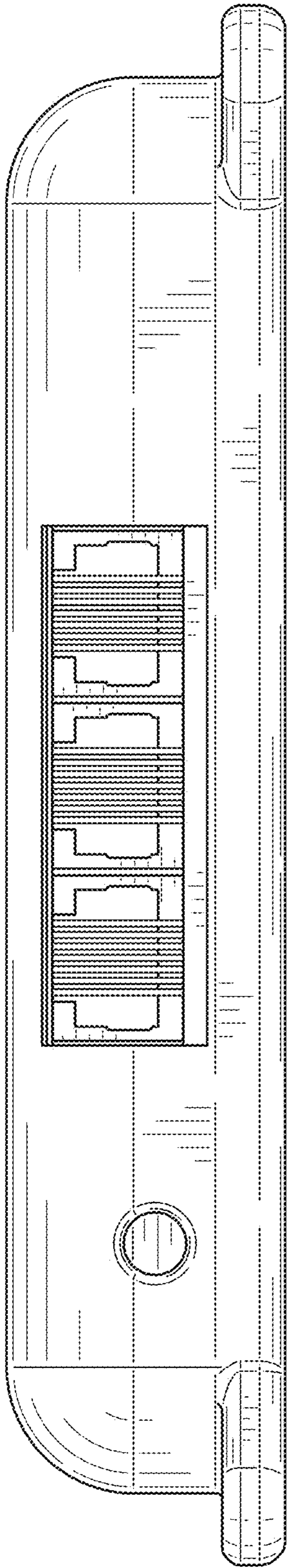


FIG. 4

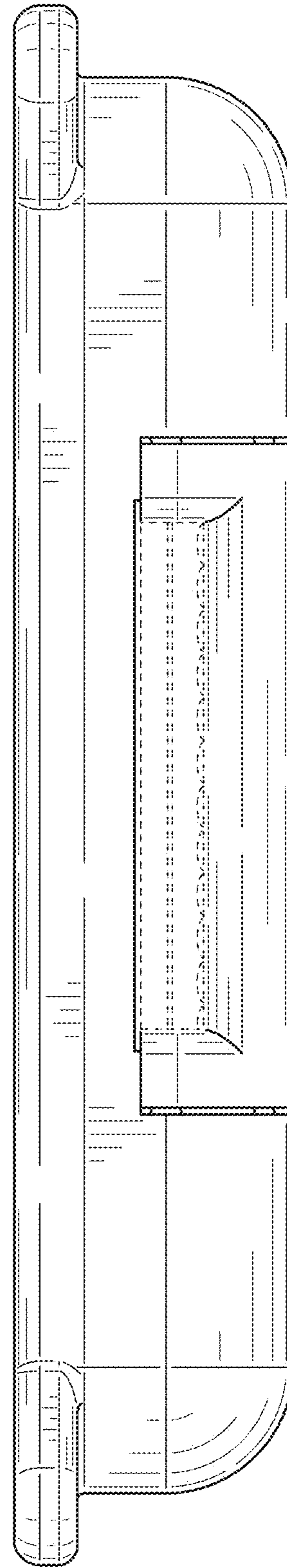


FIG. 5

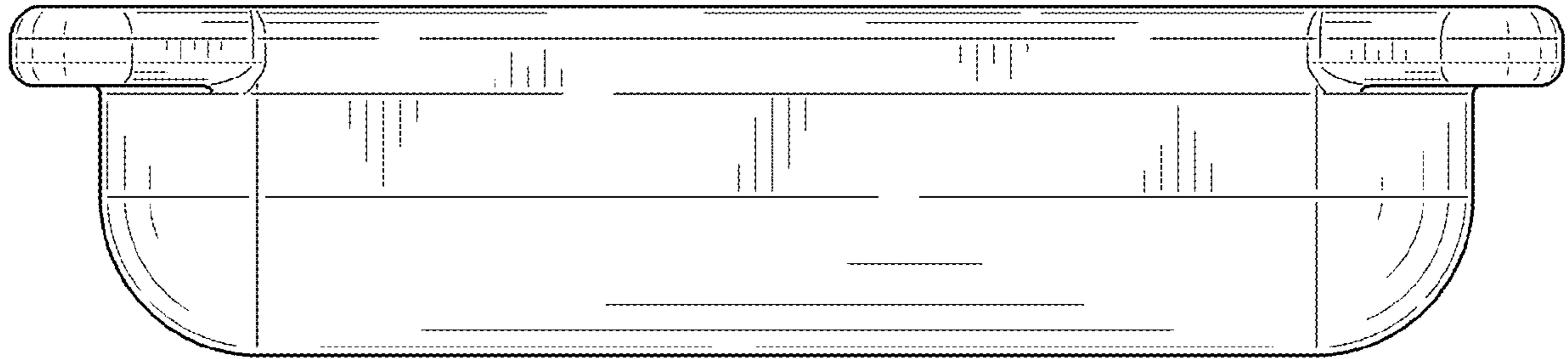


FIG. 6

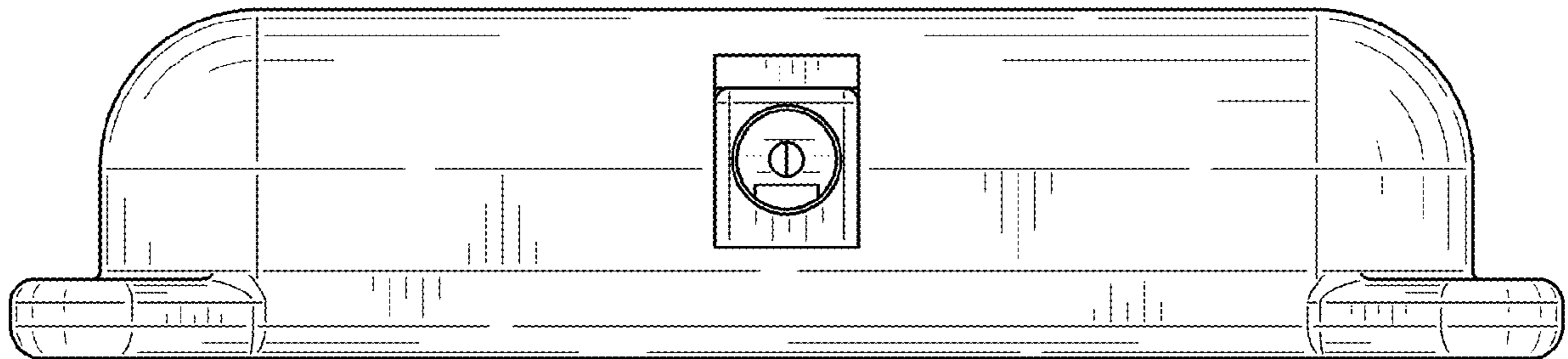


FIG. 7