



US00D979428S

(12) **United States Design Patent** (10) **Patent No.:** **US D979,428 S**
Bigelow (45) **Date of Patent:** **** Feb. 28, 2023**

(54) **DOSING CUP**

FOREIGN PATENT DOCUMENTS

(71) Applicant: **Matthew Bigelow**, Crown Point, IN (US)

CA 187732 * 5/2018
CN 303993356 * 7/2016

(Continued)

(72) Inventor: **Matthew Bigelow**, Crown Point, IN (US)

OTHER PUBLICATIONS

(**) Term: **15 Years**

Crema Coffee Products Store, Dosing Cup, Date first available Oct. 22, 2020, [online]retrieved Jul. 14, 2022, available from https://www.amazon.com/Crema-Coffee-Products-Stainless-Portafilters/dp/B08LGSMJTR/ref=sr_1_6?keywords=Dosing%2BCup&qid=1657845304&sr=8-6&th=1 (Year: 2020).*

(21) Appl. No.: **29/788,018**

(22) Filed: **Feb. 11, 2021**

(51) **LOC (14) Cl.** **07-01**

(52) **U.S. Cl.**

USPC **D10/46.1**; D7/316

(58) **Field of Classification Search**

USPC D10/46.1-46.3, 46; D7/523, 532; D24/121, 224

CPC G01F 19/002; G01F 19/00; B65D 51/248; B65D 41/56; B65D 1/0223; B65D 2501/0081; B01F 33/5011; B01F 35/32021; B01F 33/35; B01F 35/88; A61J 7/0046; A61J 2200/76; A61J 2200/70

See application file for complete search history.

Primary Examiner — Keli L Hill

Assistant Examiner — Sara S Sahneh

(74) *Attorney, Agent, or Firm* — Dunlap Bennett & Ludwig, PLLC; Anna L. Kinney

(57) **CLAIM**

The ornamental design for a dosing cup, as shown and described.

(56) **References Cited**

DESCRIPTION

U.S. PATENT DOCUMENTS

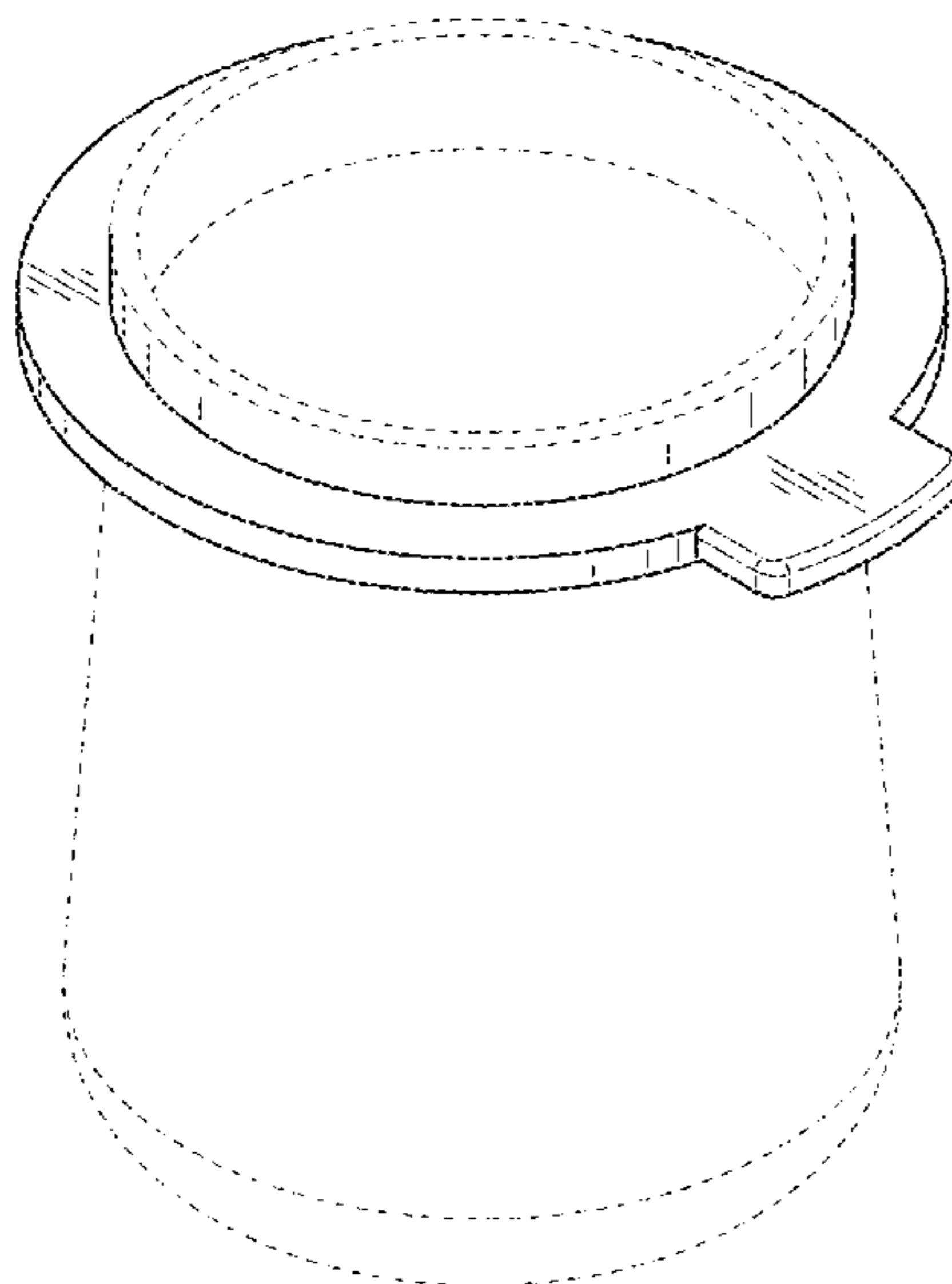
- 4,762,251 A * 8/1988 Berger G01F 25/0092 222/49
- D451,827 S * 12/2001 Winters D10/46.2
- D512,631 S * 12/2005 Lhoste et al.
- D580,799 S * 11/2008 Curtin D10/46.2
- D700,838 S * 3/2014 Oommen
- D724,386 S * 3/2015 Royer D7/523
- D746,641 S * 1/2016 Panone et al.
- D756,771 S * 5/2016 Covey et al.
- D763,335 S * 8/2016 Ruffin
- D763,625 S * 8/2016 Wright
- D763,936 S * 8/2016 Ruffin, Jr.
- D766,662 S * 9/2016 Joseph
- D795,650 S * 8/2017 Weitman D7/532
- D839,049 S * 1/2019 Seiders D7/532

(Continued)

FIG. 1 is a top front left perspective view of the dosing cup, showing my new design;
FIG. 2 is a front elevation view thereof;
FIG. 3 is a rear elevation view thereof;
FIG. 4 is a left side elevation view thereof, with the right side elevation view being a mirror image thereof;
FIG. 5 is a top plan view thereof;
FIG. 6 is a bottom plan view thereof; and,
FIG. 7 is a cross-sectional view thereof, taken along line 7-7 of FIG. 2.

The broken lines shown in the drawings depict an upper lip and a main body portion of the dosing cup that forms no part of the claimed design.

1 Claim, 4 Drawing Sheets



(56)

References Cited

U.S. PATENT DOCUMENTS

D839,678 S 2/2019 Bruner et al.
 D873,076 S 1/2020 Pan
 D939,896 S * 1/2022 Brownsberger D7/509
 D942,216 S * 2/2022 Lin D7/509
 D962,709 S * 9/2022 Bechtold D7/532
 D962,710 S * 9/2022 Scott D7/532
 D967,664 S * 10/2022 Tian D24/224
 2008/0044314 A1 * 2/2008 McIntyre B01F 33/5011
 222/454
 2013/0193143 A1 * 8/2013 Vogel B65D 51/248
 220/212
 2016/0175196 A1 * 6/2016 Leffler A61J 7/0046
 206/219
 2018/0141733 A1 * 5/2018 Hirayama B65D 65/40
 2021/0212900 A1 * 7/2021 Reichling A61J 7/0046
 2022/0265516 A1 * 8/2022 Gosau A61J 7/0046

FOREIGN PATENT DOCUMENTS

GB 8092809000-2000 * 3/2016
 GB 6192699 * 2/2022
 HK 1914817-0001 * 10/2019
 JP D1634391 * 12/2018
 JP D1717475 * 12/2021

OTHER PUBLICATIONS

Vidastech INC, CBSC Dosing Cup, Date first available May 24, 2021, [online]retrieved Jul. 14, 2022, available from https://www.amazon.com/Dosing-Stainless-Coffee-Espresso-Machine/dp/B095NW254V/ref=sr_1_26?keywords=Dosing+Cup&qid=1657836004&sr=8-26 (Year: 2021).*

* cited by examiner

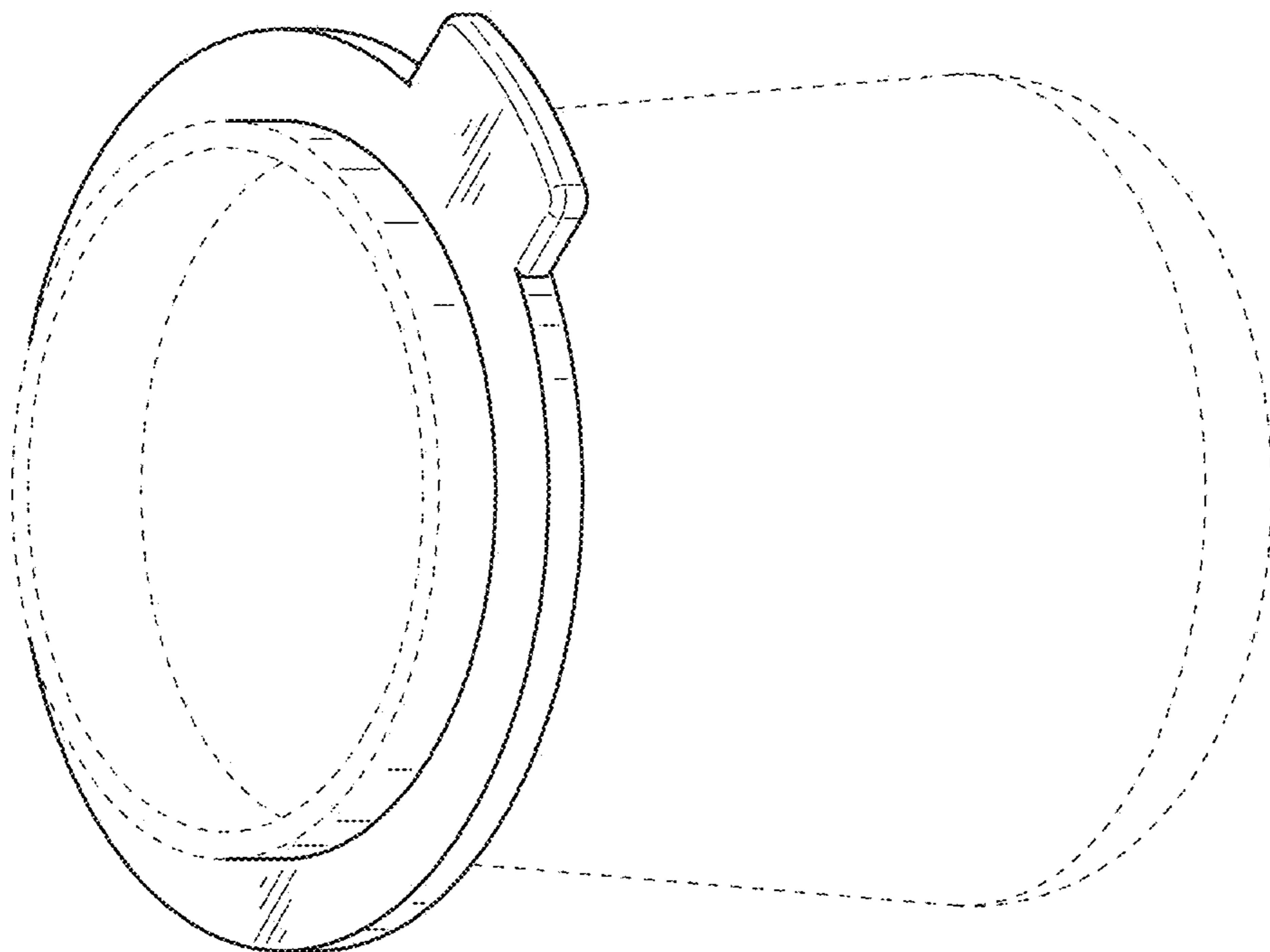


FIG. 1

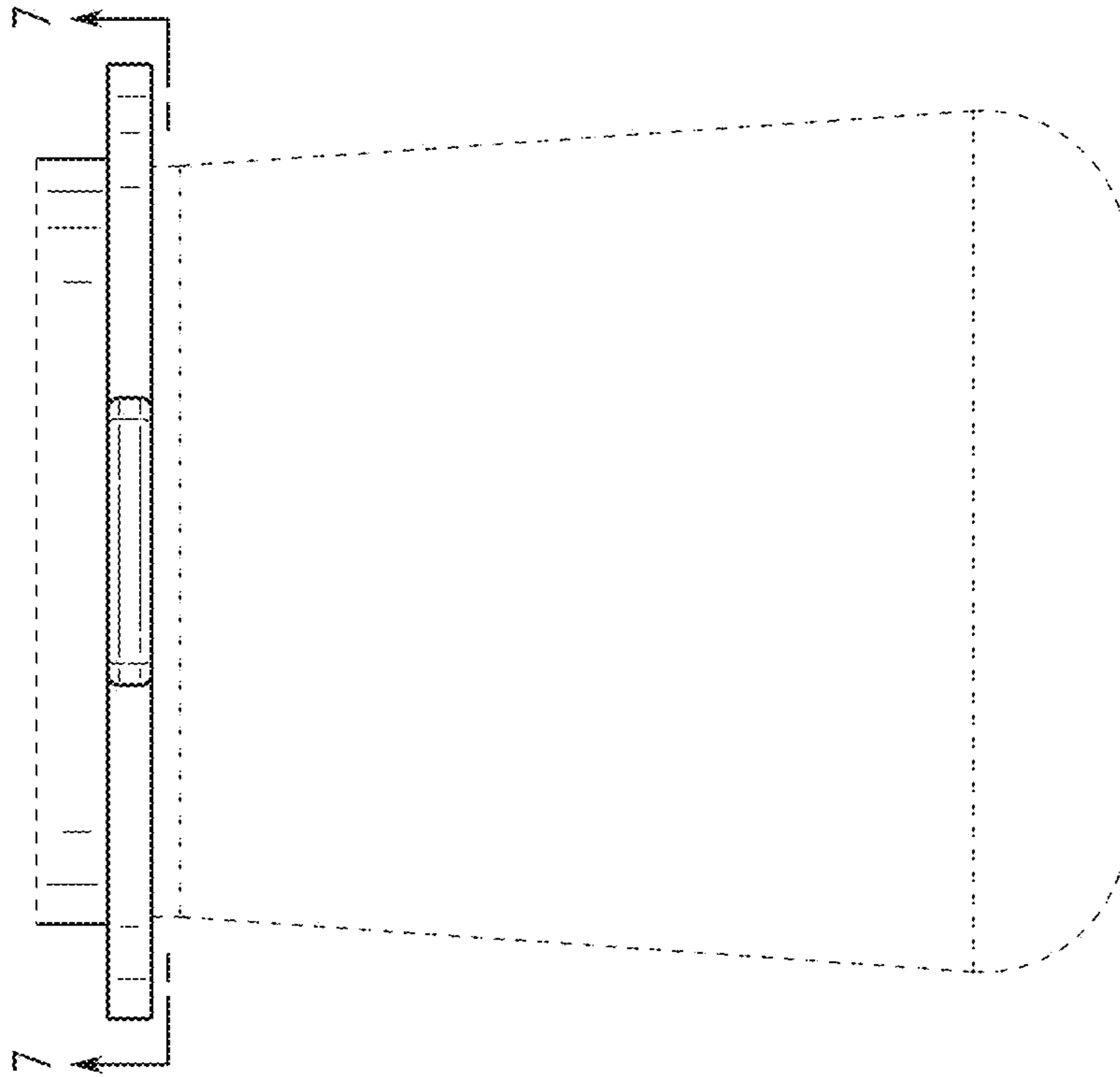


FIG. 2

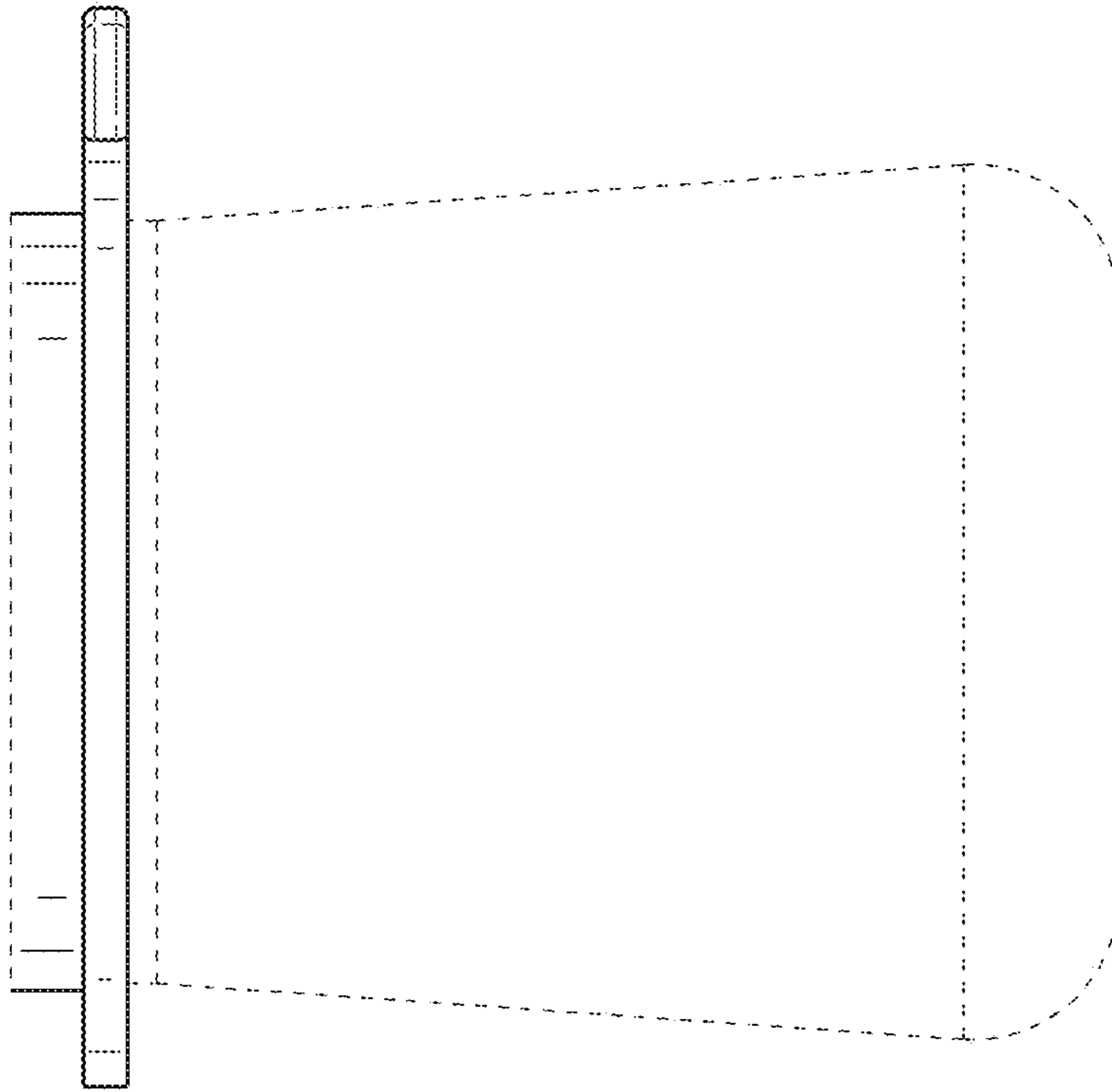


FIG. 4

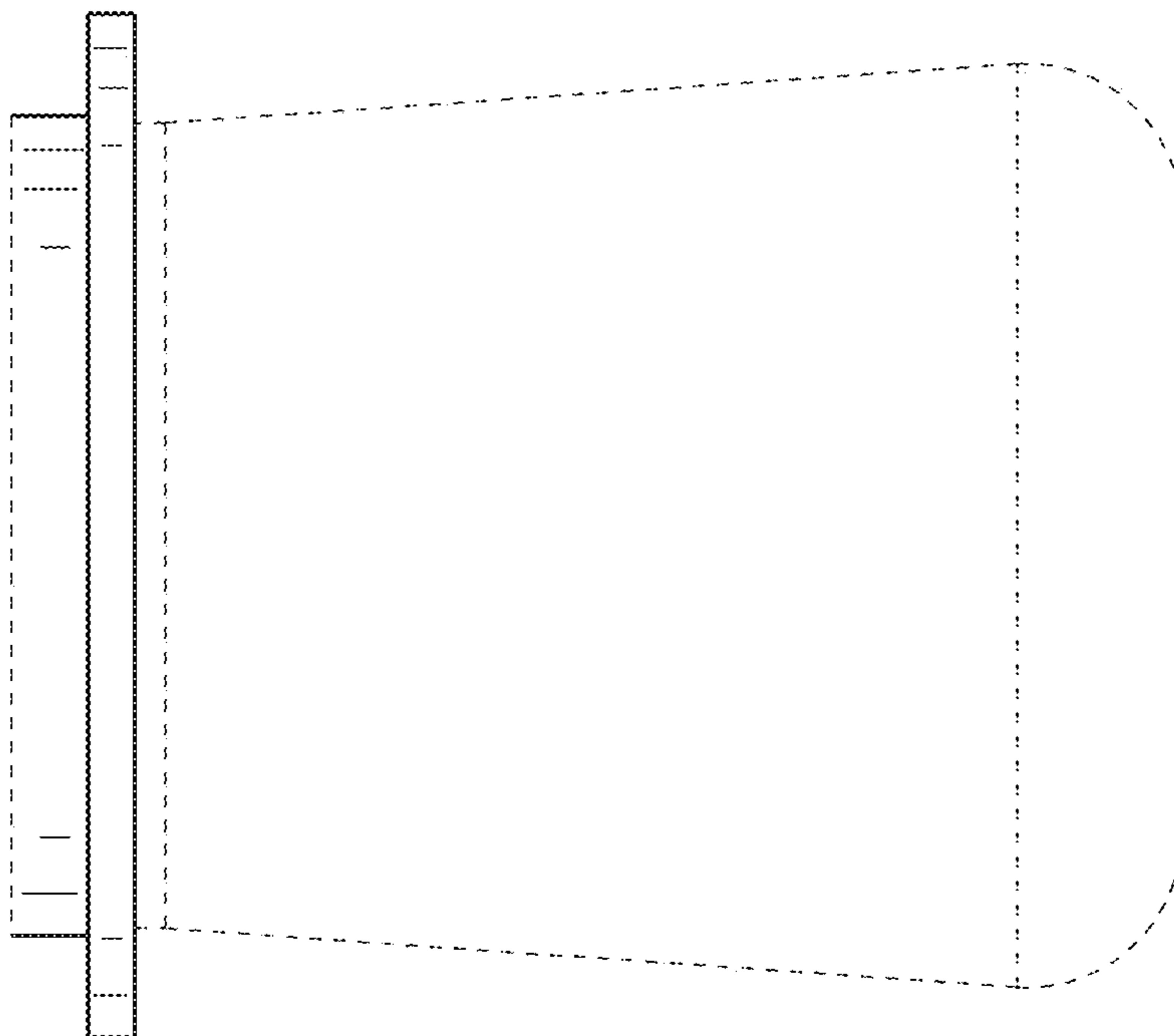


FIG. 3

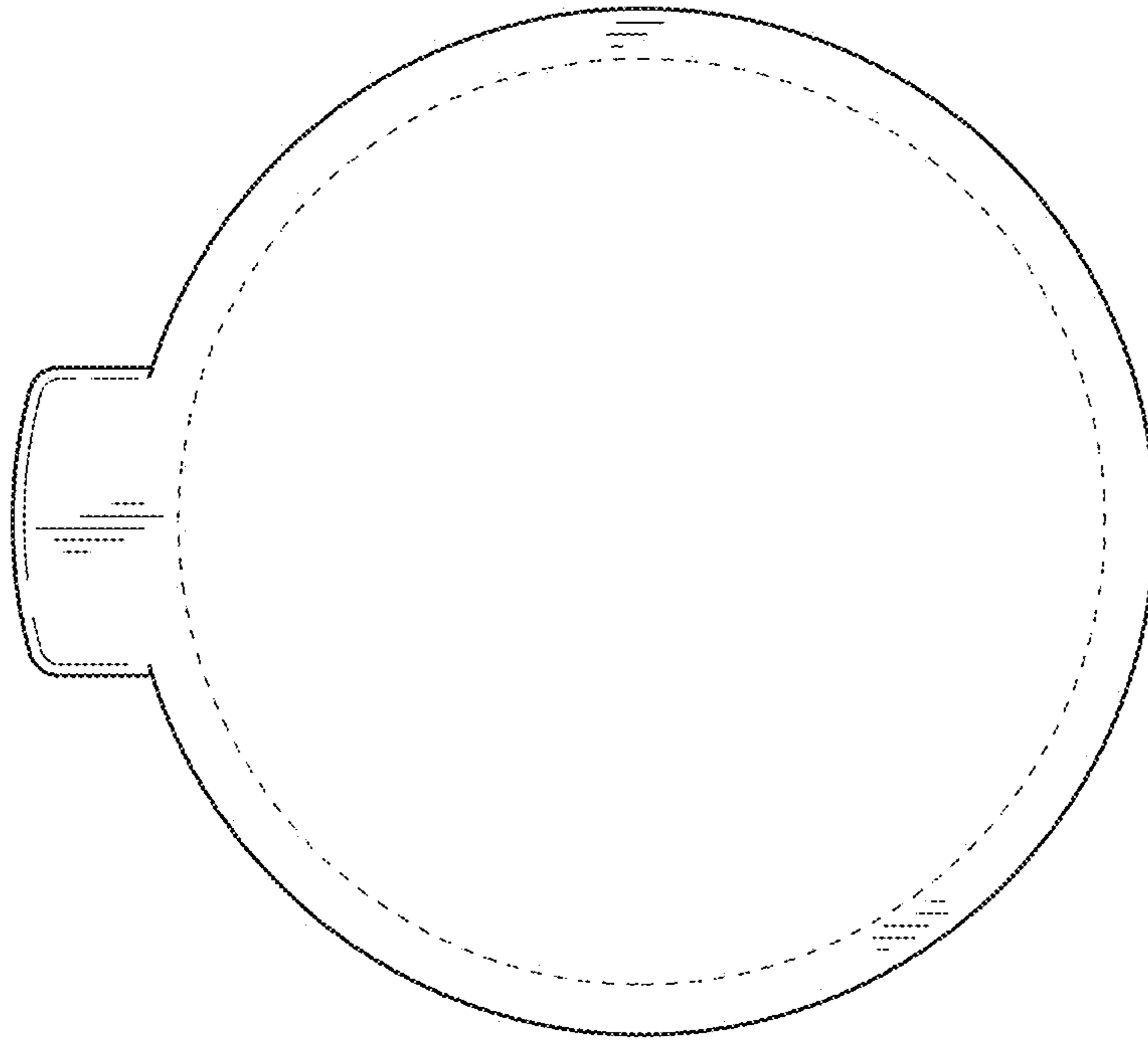


FIG. 6

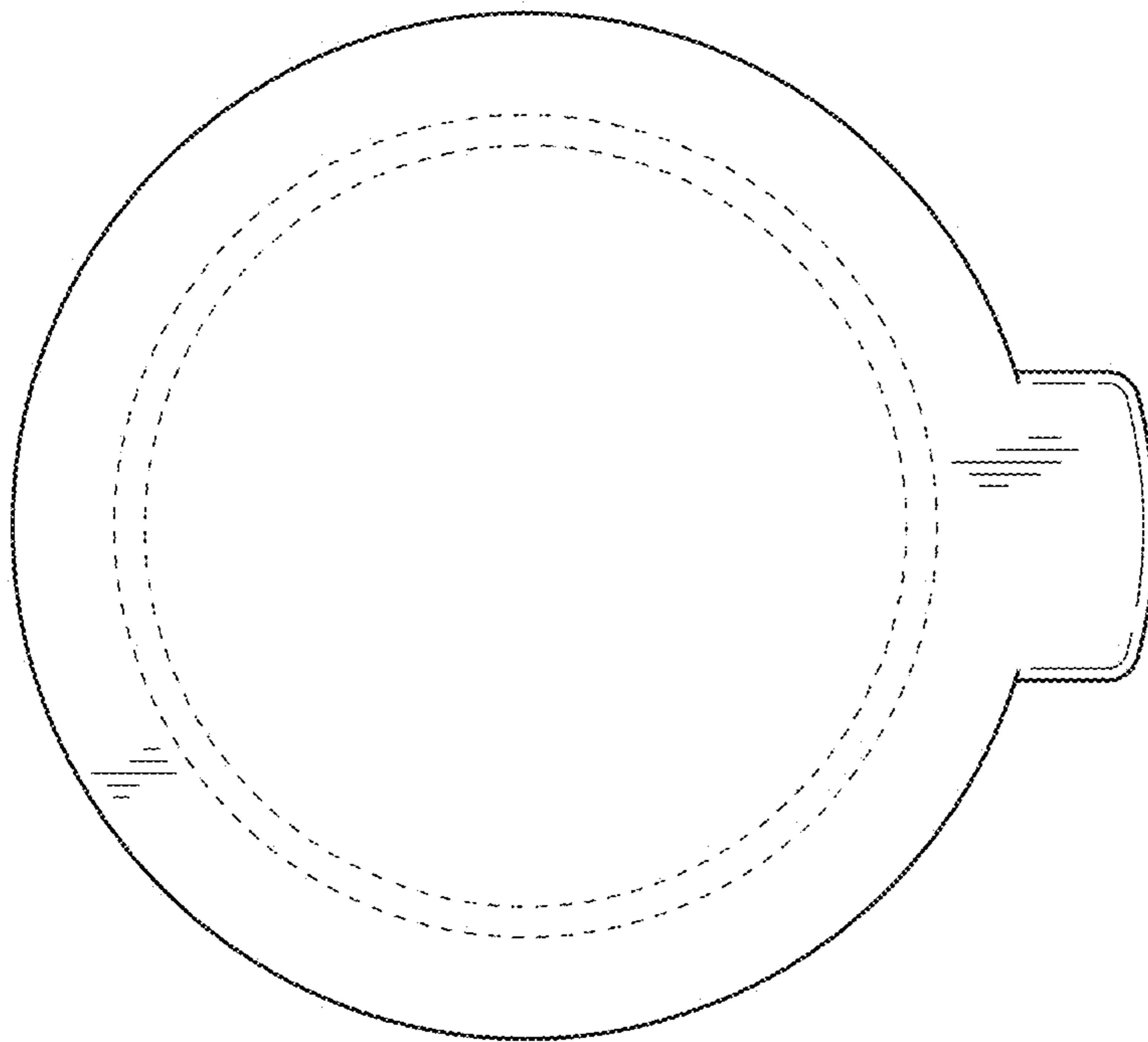


FIG. 5

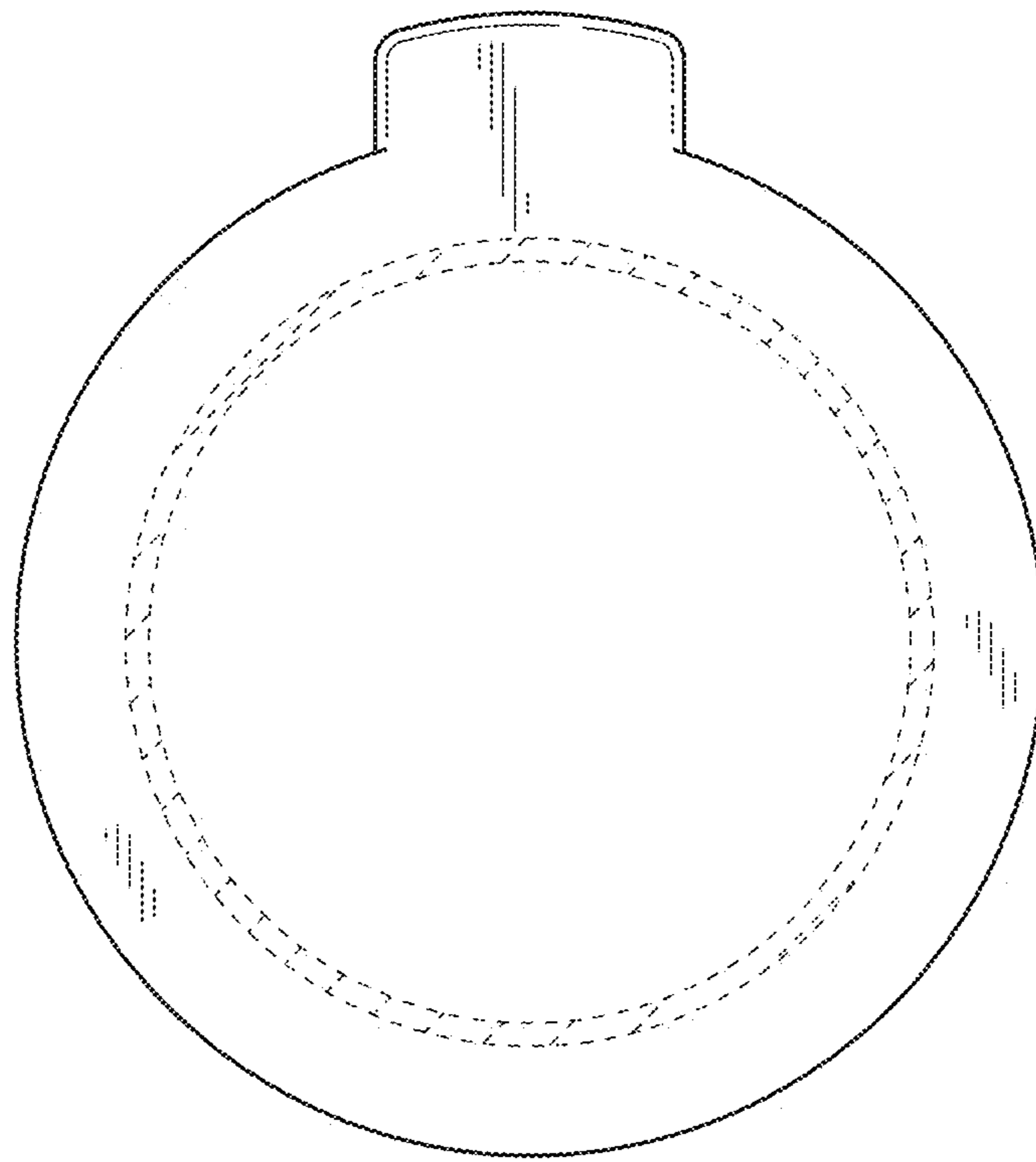


FIG. 7