

US00D979427S

(12) **United States Design Patent**
Rogers et al.

(10) **Patent No.:** **US D979,427 S**
(45) **Date of Patent:** **** Feb. 28, 2023**

(54) **TIMER**

FOREIGN PATENT DOCUMENTS

(71) Applicant: **Time Timer, LLC**, Cincinnati, OH
(US)

EM 002013763-001 6/2012
EM 002013763-002 6/2012

(Continued)

(72) Inventors: **David M. Rogers**, Cincinnati, OH
(US); **Tricia L. Wright**, San Francisco,
CA (US)

OTHER PUBLICATIONS

(73) Assignee: **Time Timer, LLC**, Cincinnati, OH
(US)

Deercy Digital Kitchen Timer—posted at amazon.com Jan. 14,
2016 © 1996-2018, Amazon.com, Inc [online][site visited Jul. 2,
2018]. Available from internet: <<https://www.amazon.com/DEERCY-Digital-Kitchen-Display-Simplest/dp/B06WGYZW8R>> (Year: 2016).

(Continued)

(**) Term: **15 Years**

Primary Examiner — Joseph Kukella

(21) Appl. No.: **29/798,763**

(74) *Attorney, Agent, or Firm* — Wood Herron & Evans
LLP

(22) Filed: **Jul. 9, 2021**

(57) **CLAIM**

The ornamental design for a timer, as shown and described.

Related U.S. Application Data

DESCRIPTION

(62) Division of application No. 29/721,308, filed on Jan.
20, 2020, now Pat. No. Des. 956,582.

(51) **LOC (14) Cl.** **10-03**

(52) **U.S. Cl.**
USPC **D10/40**

(58) **Field of Classification Search**
USPC .. D10/1, 2, 21–29, 40, 41, 46.1, 83, 85, 87;
D21/531
CPC G04C 17/00–02; G04C 17/08; G04C
17/086; G04B 19/20; G04B 19/202;
G04B

(Continued)

FIG. 1 is an isometric view of one embodiment of timer
illustrating our new design.
FIG. 2 is a front view thereof.
FIG. 3 is a rear view thereof.
FIG. 4 is a right side view thereof.
FIG. 5 is a left side view thereof.
FIG. 6 is a top view thereof.
FIG. 7 is a bottom view thereof.
FIG. 8 is an isometric view of our design of FIGS. 1-7 in
combination with a display card.
FIG. 9 is a front view thereof.
FIG. 10 is a rear view thereof.
FIG. 11 is a right side view thereof.
FIG. 12 is a left side view thereof.
FIG. 13 is a top view thereof; and,
FIG. 14 is a bottom view thereof.

Any elements shown in broken lines form no part of the
claimed invention, and are instead included to show envi-
ronmental aspects of the claimed invention.

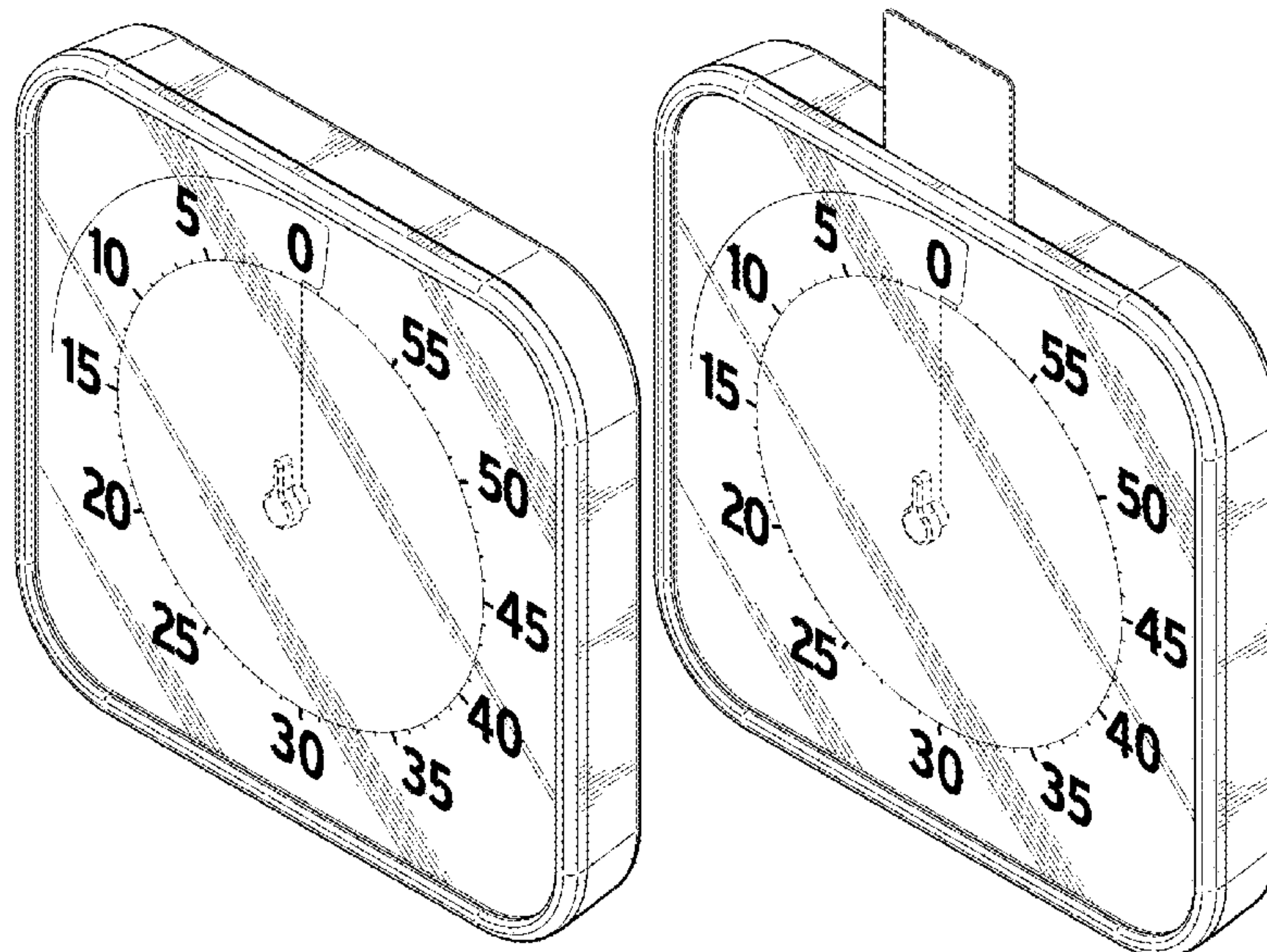
(56) **References Cited**

U.S. PATENT DOCUMENTS

2,011,517 A 8/1935 Geoffrion
2,336,563 A 12/1943 Nielsen
2,816,373 A 12/1957 Caddy

(Continued)

1 Claim, 10 Drawing Sheets



(58) **Field of Classification Search**
 CPC 19/205; G04B 19/28; G04B 19/283; G04B
 19/286
 See application file for complete search history.

EM	002140608-003	3/2013
EM	002140608-004	3/2013
EM	002140608-005	3/2013
EP	3483662 A1	5/2019
KR	200465772 Y1	3/2013
KR	101425322 B1	8/2014

(56) **References Cited**

U.S. PATENT DOCUMENTS

D208,930	S	10/1967	Johnson	
3,608,214	A	9/1971	Rancati	
3,668,858	A	6/1972	Hartwig	
3,803,831	A	4/1974	Horzick	
D235,008	S	4/1975	Ishikawa	
D270,844	S	10/1983	McIntyre	
4,885,731	A	12/1989	Massaro	
D321,141	S	10/1991	Aikawa	
D369,619	S	5/1996	Rogers	
5,662,479	A	9/1997	Rogers	
5,683,821	A	11/1997	Vial et al.	
D583,686	S	12/2008	Forakis	
D626,016	S	10/2010	Lin	
D671,016	S	11/2012	Rogers et al.	
D686,093	S	7/2013	Wright et al.	
D705,089	S	5/2014	Rogers et al.	
D770,310	S	11/2016	Rogers et al.	
D785,471	S	5/2017	Rogers et al.	
D796,349	S	9/2017	Rogers et al.	
D802,450	S	11/2017	Boynton et al.	
10,303,123	B1	5/2019	Rogers et al.	
D863,990	S	10/2019	Hu	
D912,551	S	3/2021	Rogers et al.	
D915,224	S	4/2021	Rogers et al.	
D956,582	S *	7/2022	Rogers	G09B 19/12 D10/40
D967,718	S *	10/2022	Xu	D8/312

FOREIGN PATENT DOCUMENTS

EM	002140608-001	3/2013
EM	002140608-002	3/2013

OTHER PUBLICATIONS

European Patent Office, Search Report and Opinion, dated Mar. 26, 2019, 5 pgs., European Patent Office, Munich, Germany.
 European Patent Office; Search Report and Written Opinion in related European Patent Application No. EP 21152332 dated Jun. 14, 2021; 8 pages.
 Rogers, David M., Declaration of David M. Rogers, Jul. 22, 2020, 20 pgs., Cincinnati, Ohio, USA.
 Taylor Rotating Timer Kitchen I posted at amazon.com Mar. 2015 © 1996-2018, Amazon.com, Inc [online][site visited Jul. 2, 2018] Available from internet: <https://www.amazon.com/Taylor-Precision-Products-Mechanical-Rotating/dp/B00UKIOKRG/ref=sr_1_8?s=kitchen&srs=9503531011&ie=UTF8&qid=1530552102&sr=1-8> (Year: 2015).
 Thetimer, New Week. Clean Slate! Instagram.com, Mar. 22, 2021. Retrieved from the internet on Jun. 14, 2021 <URL: <https://www.instagram.com/p/CMuq0LSHnR9> <<https://www.instagram.com/p/CMuq0LSHnR9>>> (Year: 2021).
 Thetimer, The Time Timer Family . . . , Instagram.com, Sep. 12, 2012. Retrieved from the internet on Jun. 14, 2021 <URL: https://www.instagram.com/p/PflrSLCs_h <https://www.instagram.com/p/PflrSLCs_h>> (Year: 2012).
 Time Timer, At Work with Time Time, YouTube.com <<http://YouTube.com>>, Jan. 21, 2010. Retrieved from the internet on Jun. 14, 2021 <URL: <https://youtu.be/i0v74XCE-uQ>> (Year: 2010).
 Time Timer, Set the Time Timer!, YouTube.com <<http://YouTube.com>>, Jul. 25, 2012. Retrieved from the internet on Jun. 14, 2021 <URL: <https://youtu.be/AdBrNoSCGA4>> (Year: 2012).
 Visual Schedule Kit for the Time Timer, published in 2014, Time Timer, full document (Year: 2014).

* cited by examiner

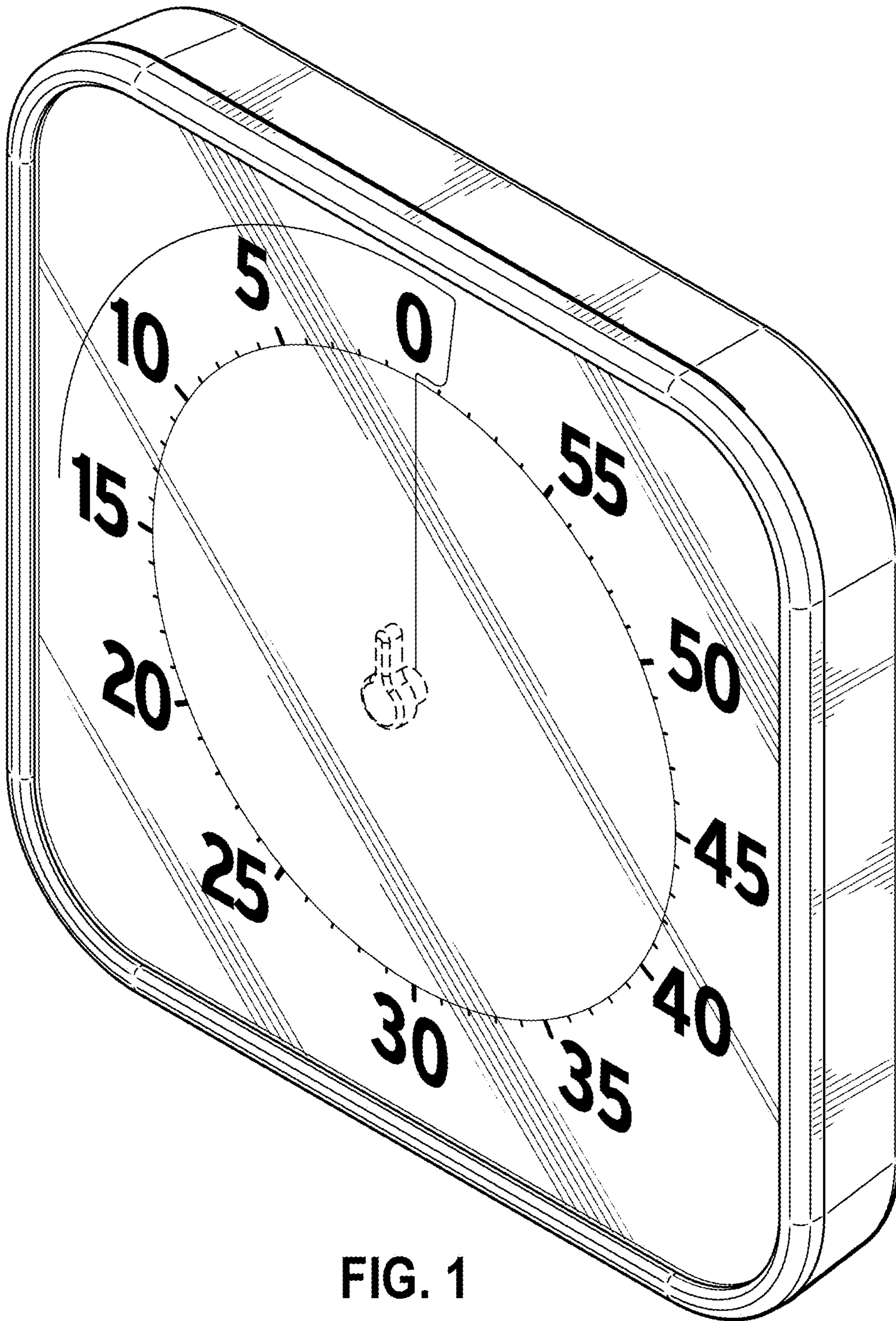


FIG. 1

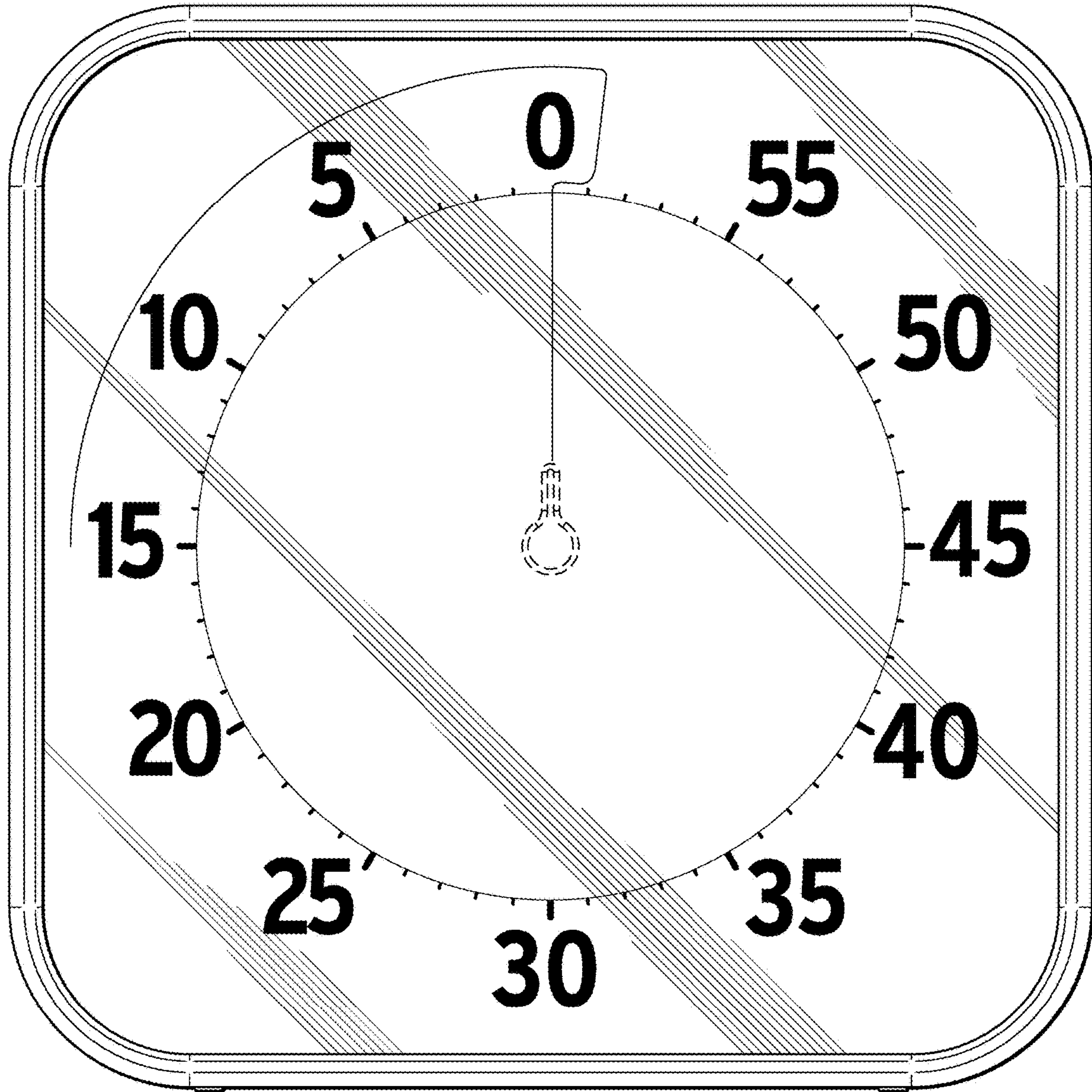


FIG. 2

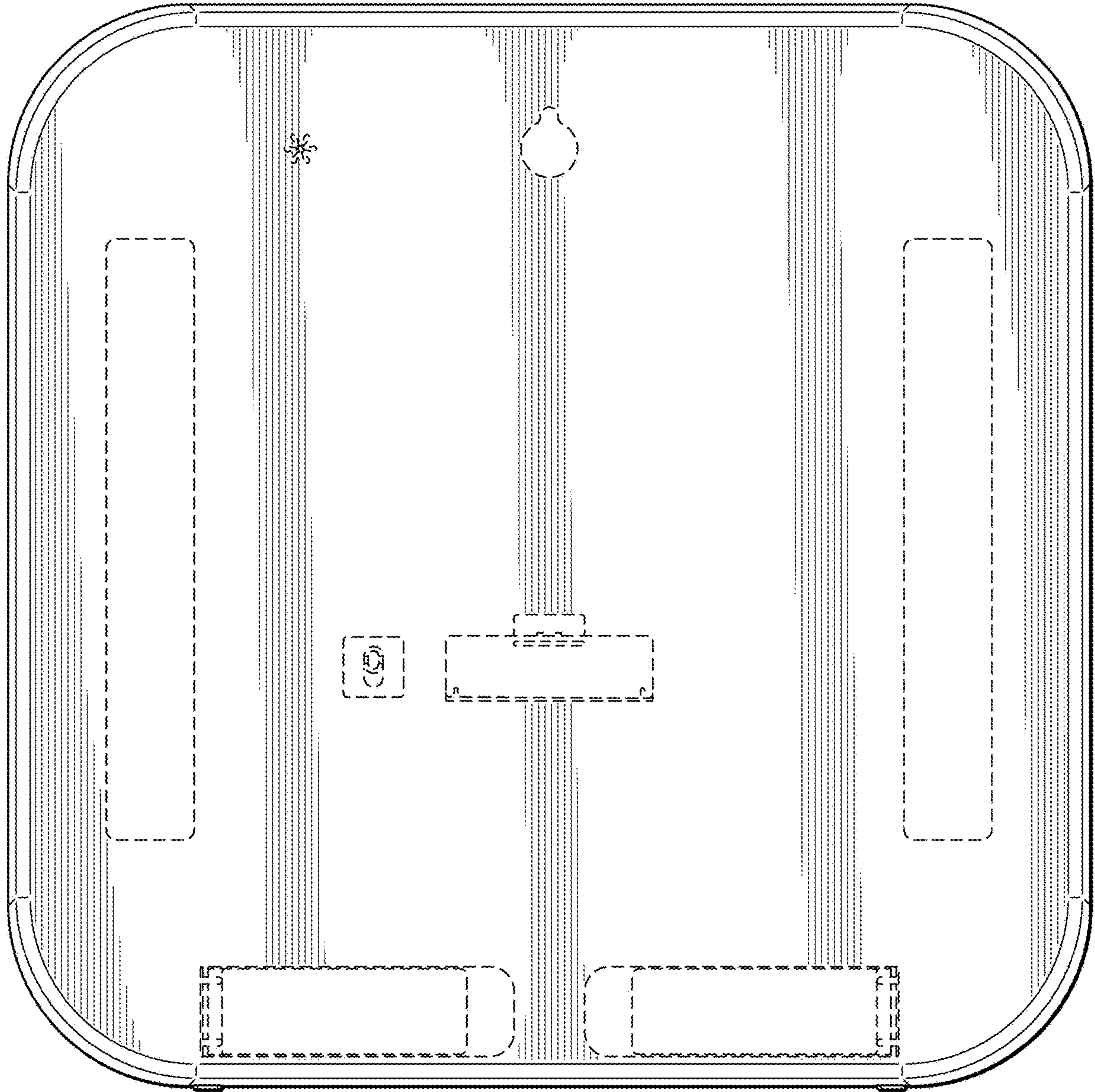


FIG. 3

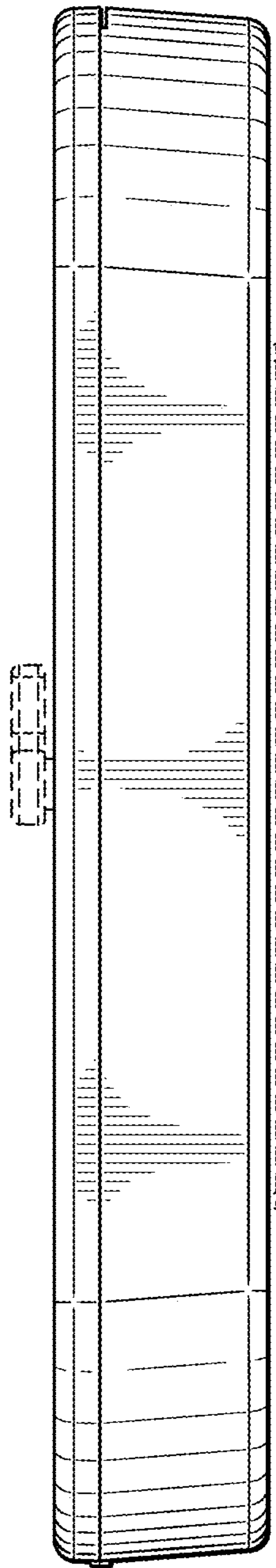


FIG. 4

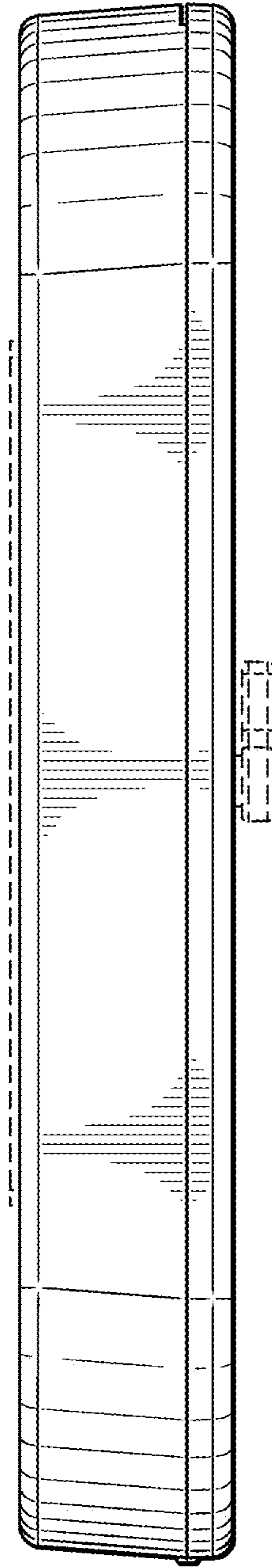


FIG. 5

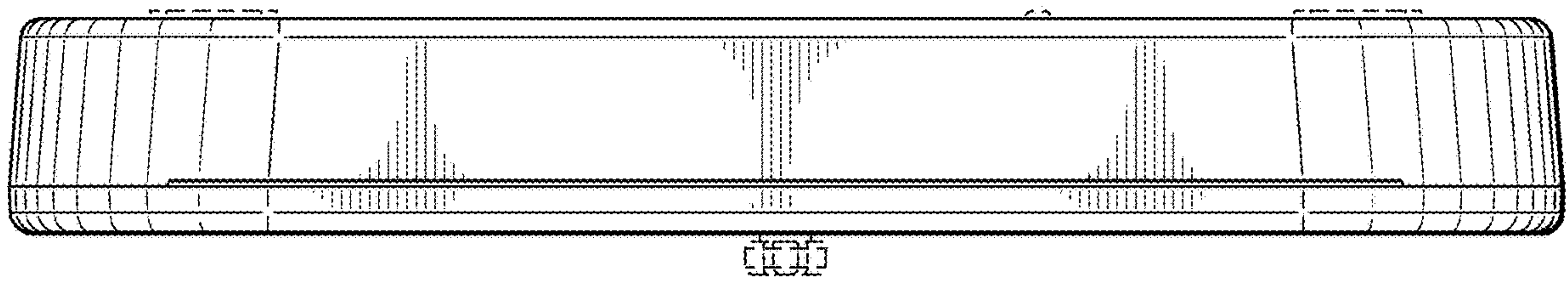


FIG. 6

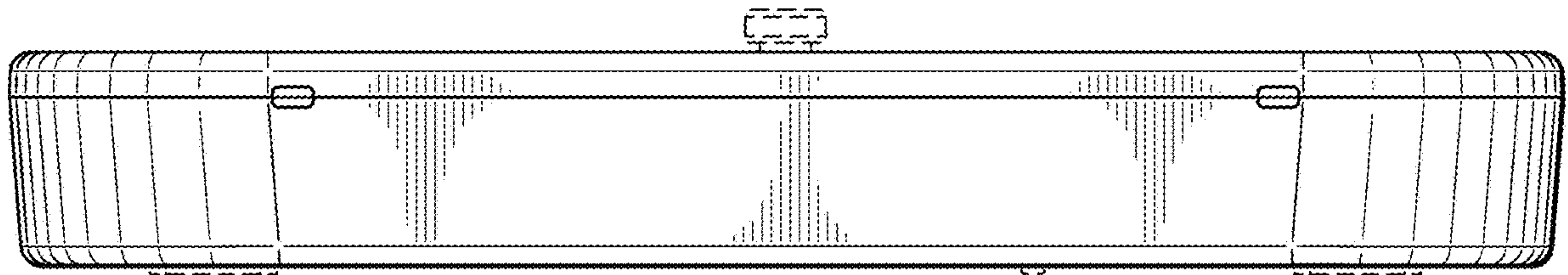


FIG. 7

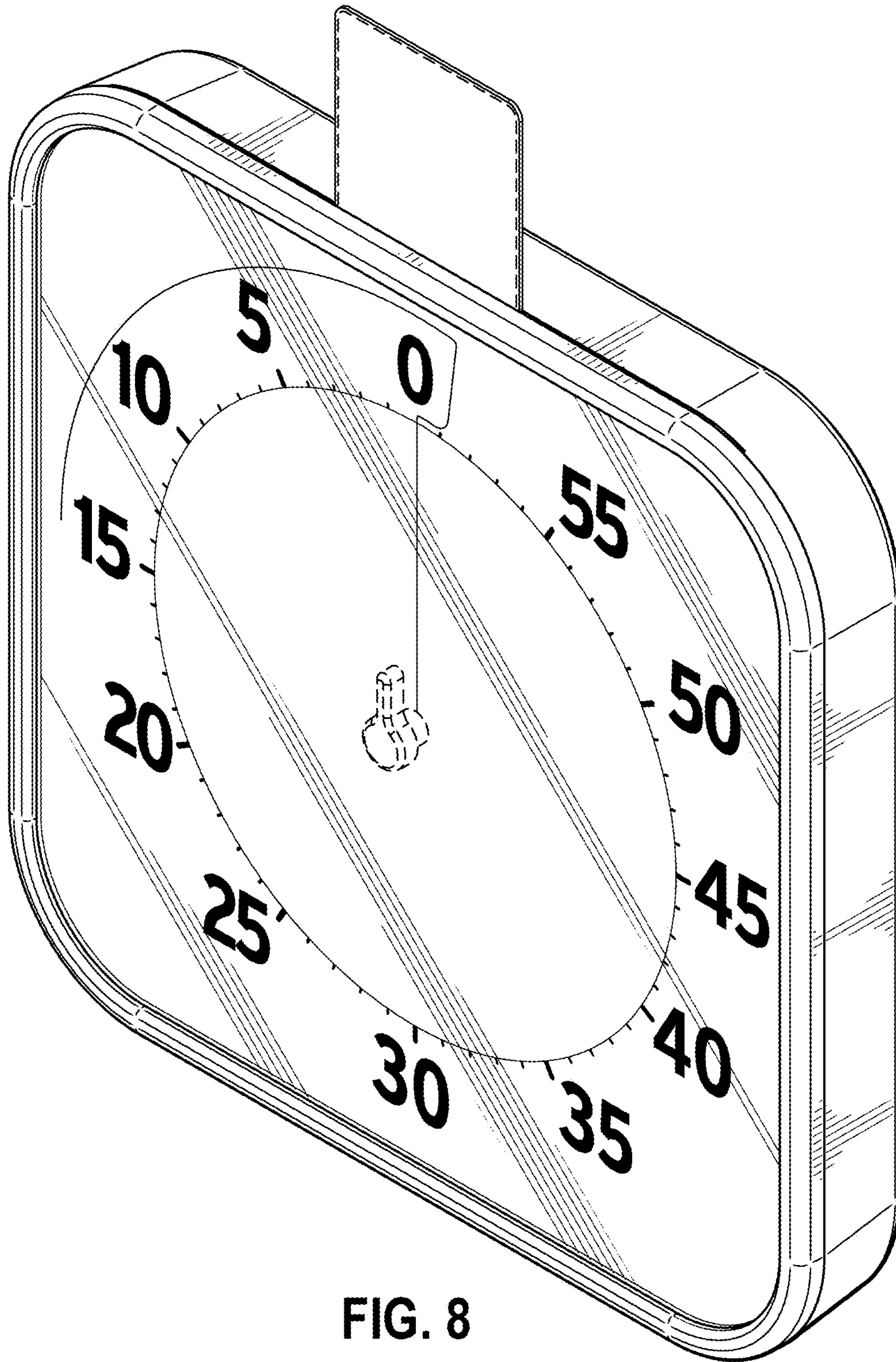


FIG. 8

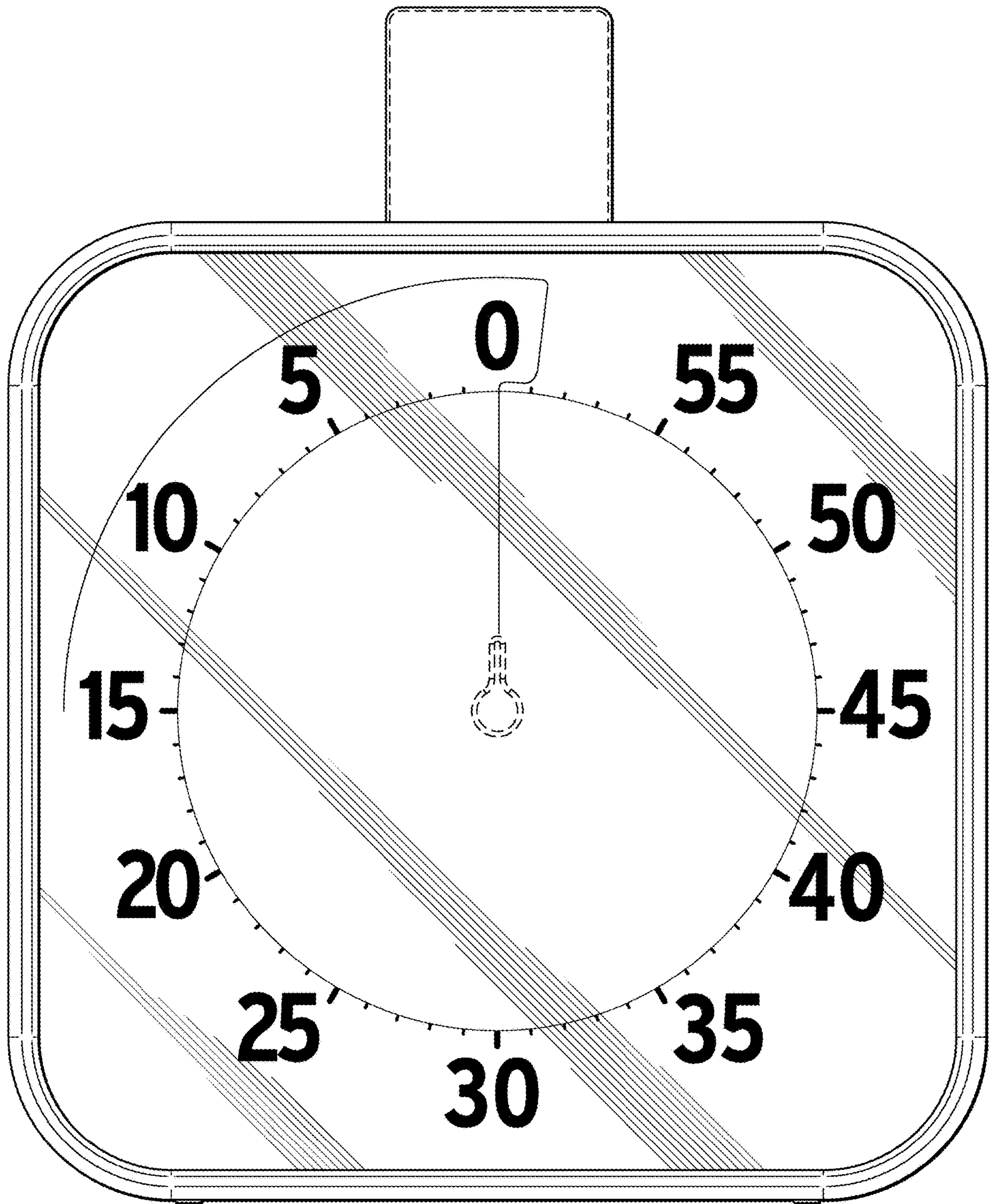


FIG. 9

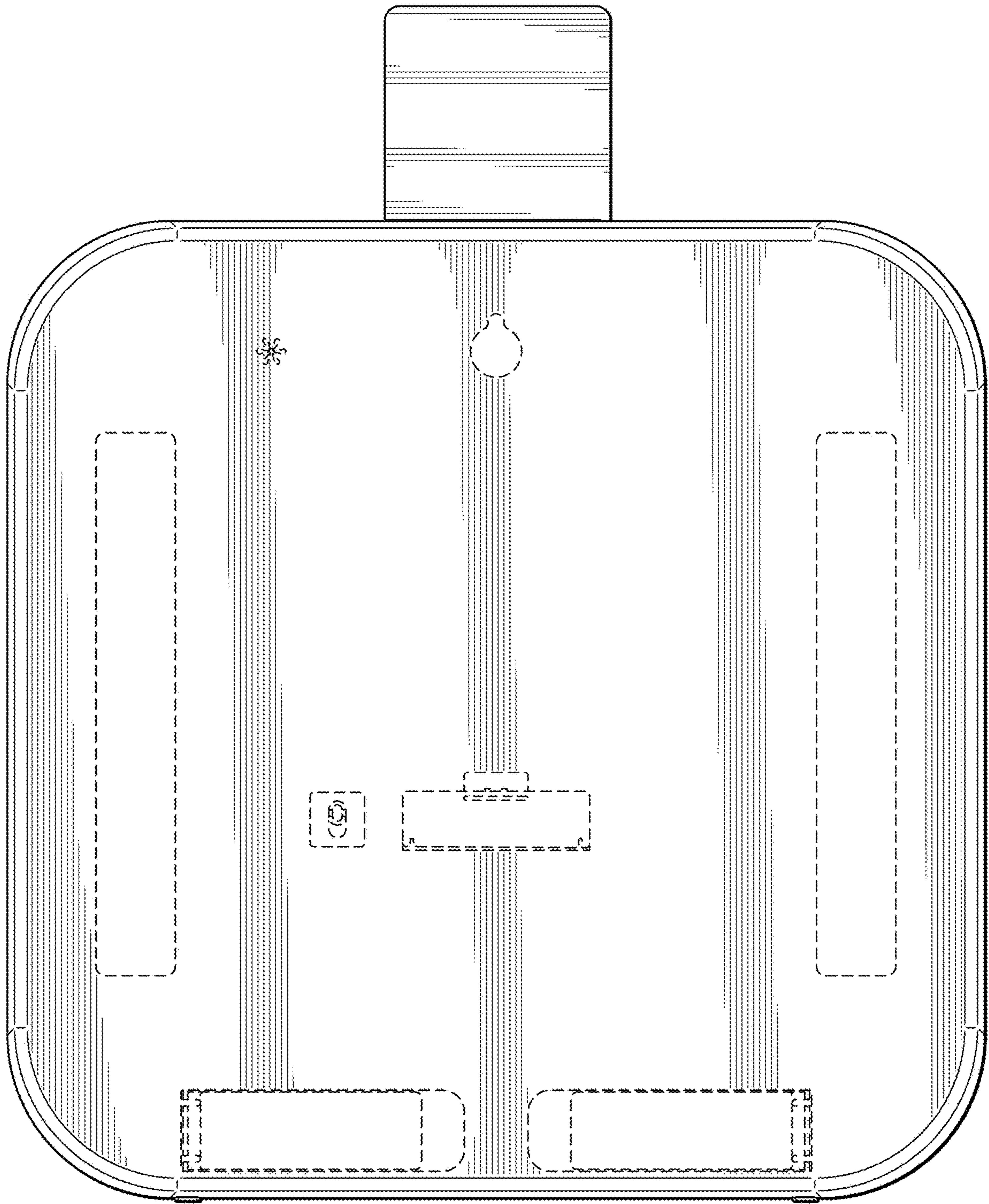


FIG. 10

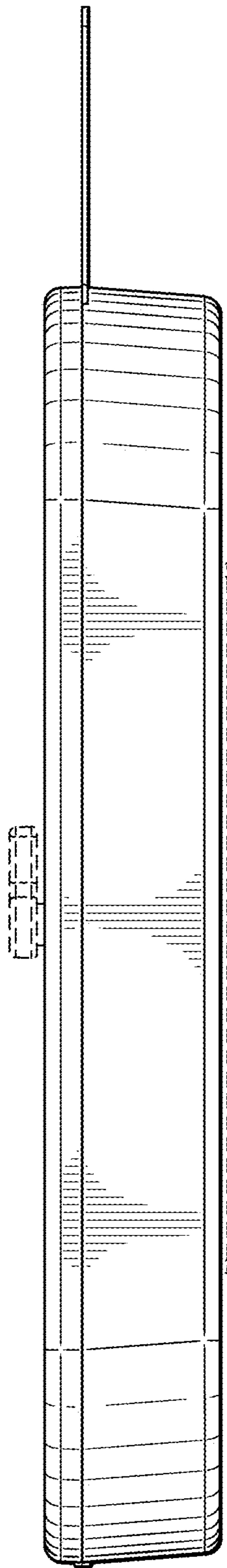


FIG. 11

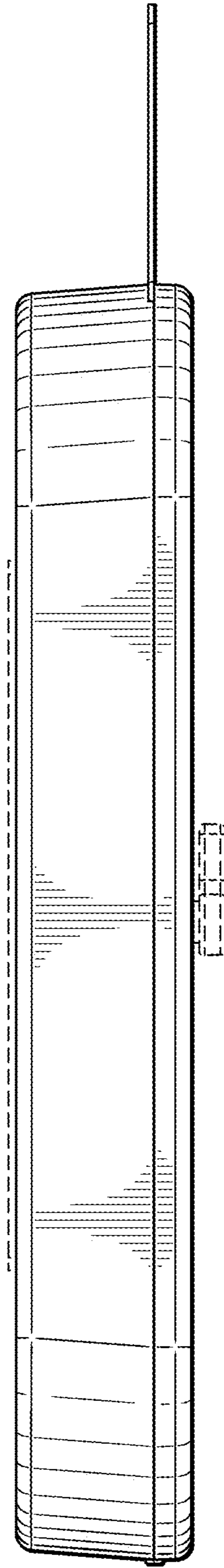


FIG. 12

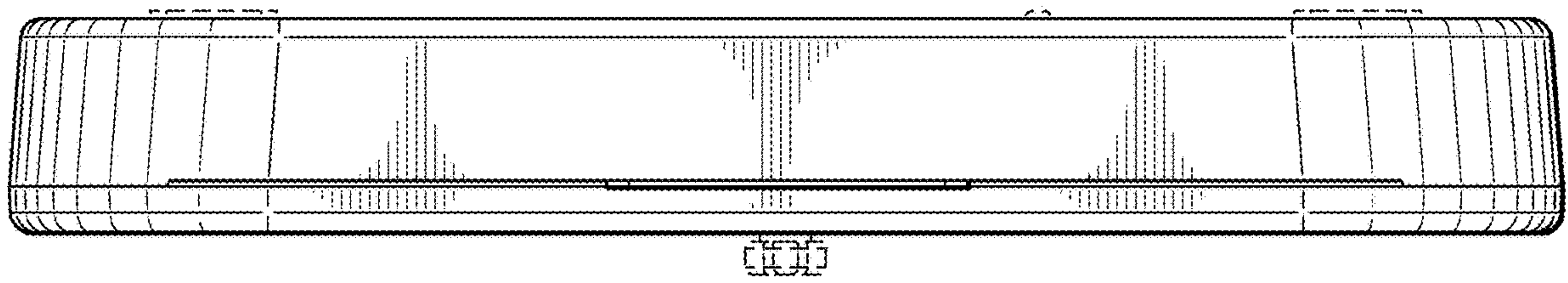


FIG. 13

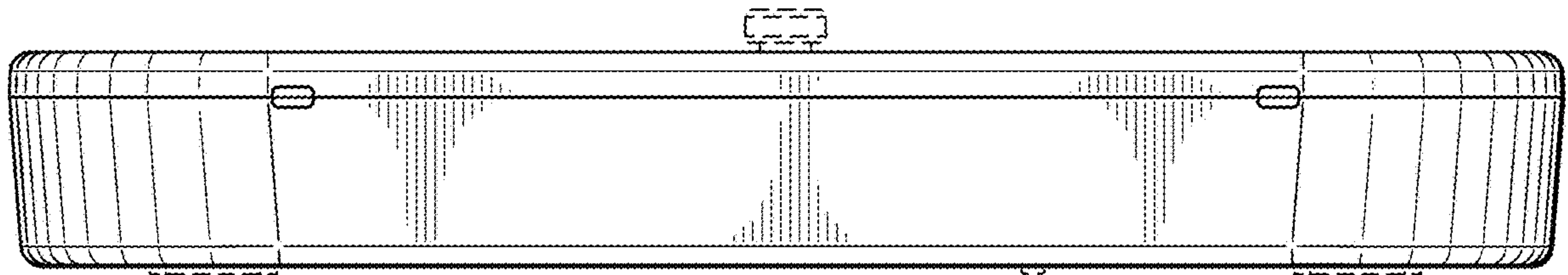


FIG. 14