



US00D979422S

(12) **United States Design Patent**  
**Sukhanov et al.**

(10) **Patent No.:** **US D979,422 S**  
(45) **Date of Patent:** **\*\* Feb. 28, 2023**

(54) **LIQUID DISPENSER**

FOREIGN PATENT DOCUMENTS

(71) Applicants: **Vladimir Aleksandrovich Sukhanov**,  
San Jose, CA (US); **Yana E Rodriguez**,  
San Jose, CA (US)

CN 211355142 U \* 8/2020

(72) Inventors: **Vladimir Aleksandrovich Sukhanov**,  
San Jose, CA (US); **Yana E Rodriguez**,  
San Jose, CA (US)

OTHER PUBLICATIONS

Danco 89503 Air Gap Soap Dispenser. Date first available: Sep. 9, 2006. Site visited: Jul. 29, 2022. Available online: [https://www.amazon.com/Danco-89503-Dispenser-Straight-Brushed/dp/B001B8GZ2C/ref=sr\\_1\\_1\\_sspa](https://www.amazon.com/Danco-89503-Dispenser-Straight-Brushed/dp/B001B8GZ2C/ref=sr_1_1_sspa) (Year: 2006).\*

(\*\*) Term: **15 Years**

(Continued)

(21) Appl. No.: **29/760,731**

*Primary Examiner* — Catherine S Posthauer

(22) Filed: **Dec. 3, 2020**

*Assistant Examiner* — Joan E. Diehl

(51) **LOC (14) Cl.** ..... **09-01**

(74) *Attorney, Agent, or Firm* — Barry Choobin; Patent 360

(52) **U.S. Cl.**

(57) **CLAIM**

USPC ..... **D9/682**; D23/368

The ornamental design for a liquid dispenser, as shown and described herein.

(58) **Field of Classification Search**

**DESCRIPTION**

USPC ..... D9/682-694, 724, 448, 542, 436;  
222/321.7; D32/29.1; D7/415; 137/216;  
D23/284, 291, 238, 240, 386, 260  
CPC . E03C 1/102; B05B 11/0005; B05B 11/0089;  
B05B 11/3035; A47K 5/13; A47K  
5/1205; A47J 47/20  
See application file for complete search history.

FIG. 1 is a perspective view of a liquid dispenser, showing my new design;

(56) **References Cited**

U.S. PATENT DOCUMENTS

1,817,673 A \* 8/1931 Buttner ..... B67D 1/02  
D7/398  
D275,933 S \* 10/1984 Topor ..... D9/448  
D319,581 S \* 9/1991 Halm ..... D7/591  
D439,150 S \* 3/2001 Gonda ..... A47J 47/20  
222/321.9  
D486,062 S \* 2/2004 Huang ..... D9/694  
6,748,966 B1 \* 6/2004 Dvorak ..... E03C 1/102  
137/216  
7,210,599 B1 \* 5/2007 Pfaff ..... B05B 11/0005  
222/78  
9,198,543 B1 \* 12/2015 Hsieh ..... A47K 5/1205

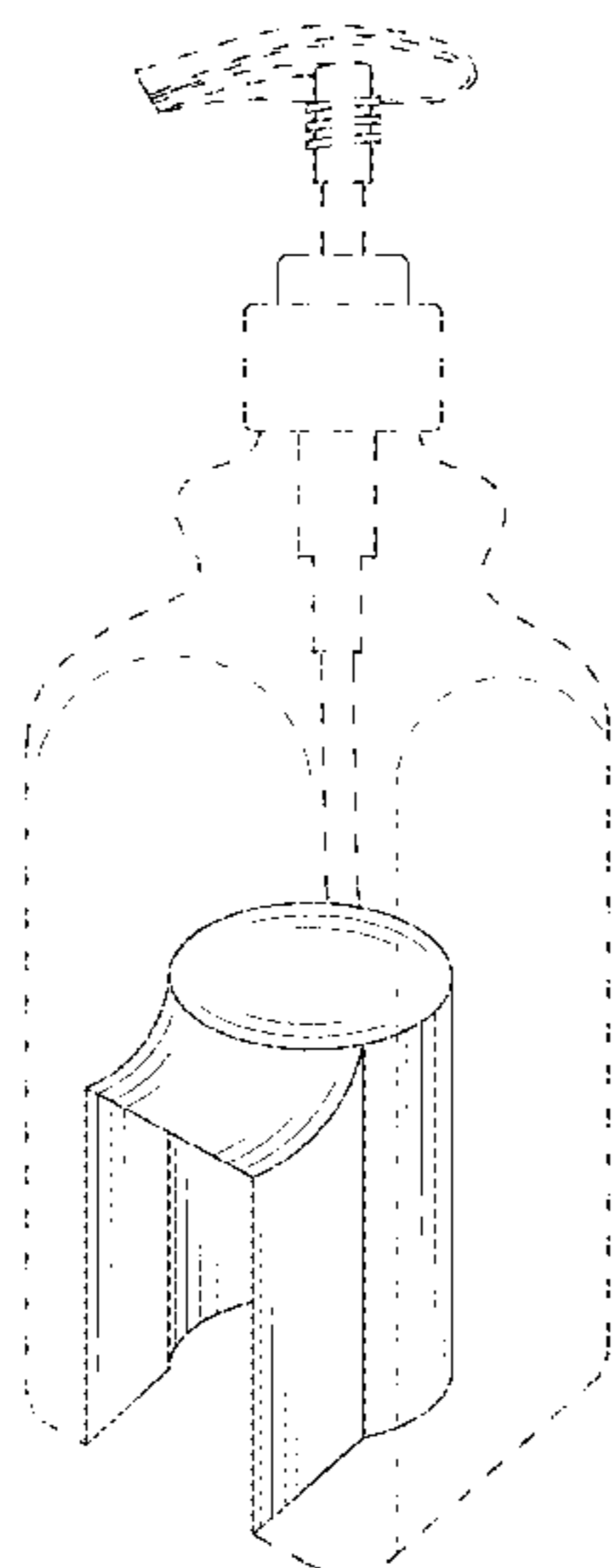
FIG. 2 is a front view thereof;  
FIG. 3 is a rear view thereof;  
FIG. 4 is a right-side view thereof;  
FIG. 5 is a left-side view thereof;  
FIG. 6 is a top view thereof;  
FIG. 7 is a bottom view thereof; and,  
FIG. 8 is the perspective view thereof, in which the liquid dispenser is positioned over a dishwasher air gap in order to illustrate a sample environment.

The broken lines in the figures show portions of the liquid dispenser which form no part of the claimed design.  
The broken lines in FIG. 8 depict an environmental dishwasher air gap and a counter that forms no part of the claimed design.

The dot-dash lines represent the boundaries of the claim and form no part thereof.

(Continued)

**1 Claim, 8 Drawing Sheets**



(56)

**References Cited**

U.S. PATENT DOCUMENTS

9,931,001 B2 \* 4/2018 Cohen ..... B05B 11/0089  
10,822,779 B1 \* 11/2020 Williams ..... E03C 1/102  
11,116,364 B1 \* 9/2021 Davis ..... A47K 5/13  
D965,749 S \* 10/2022 Williams ..... D23/260  
2003/0132248 A1 \* 7/2003 Gugliotti ..... A47J 47/20  
222/321.9  
2005/0061833 A1 \* 3/2005 Boettner ..... B05B 11/3035  
222/207  
2009/0045217 A1 \* 2/2009 Bobrowski ..... B05B 1/002  
222/39  
2016/0115680 A1 \* 4/2016 Pargeter ..... E03C 1/102  
137/216

OTHER PUBLICATIONS

Westbrass Air Gap Kitchen Sink Dispenser Kit. Date first available:  
Nov. 20, 2009. Site visited: Oct. 7, 2022. Available online: <https://www.amazon.com/Westbrass-Kitchen-Dispenser-Polished-D2170P-26/dp/B00880Y5AU?th=1> (Year: 2009).\*

\* cited by examiner

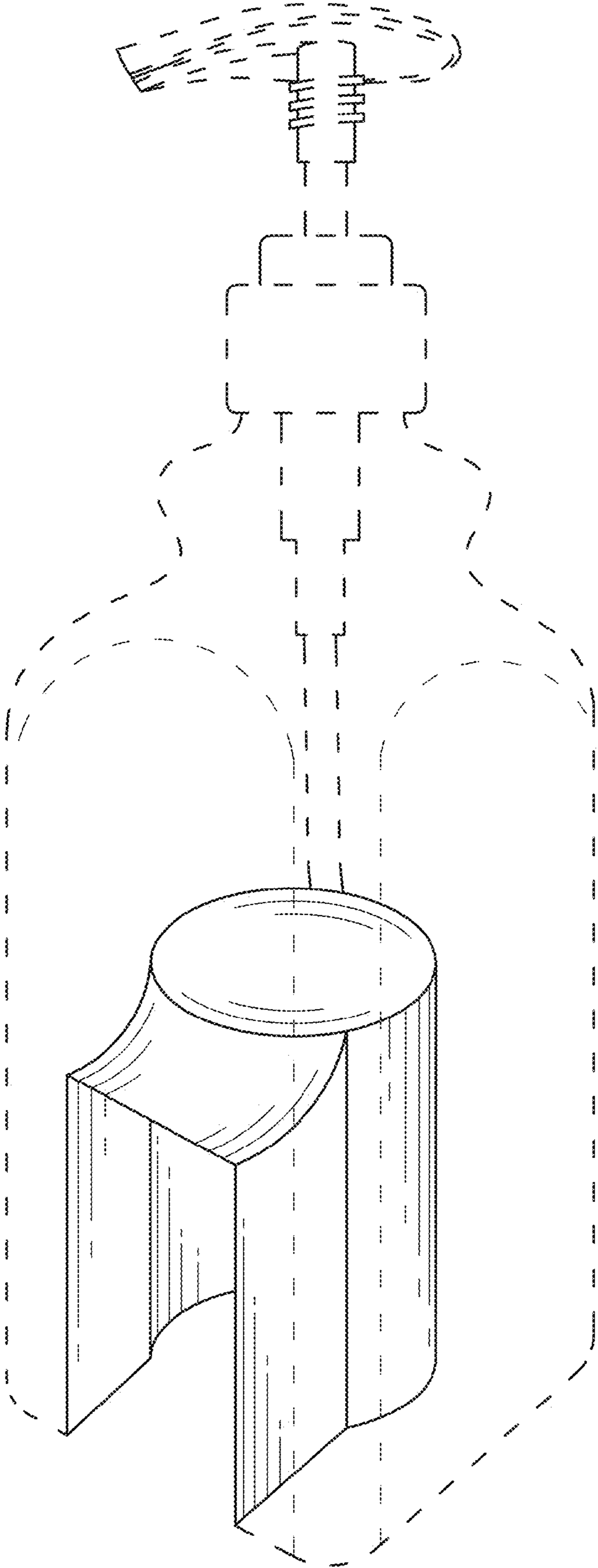


FIG. 1

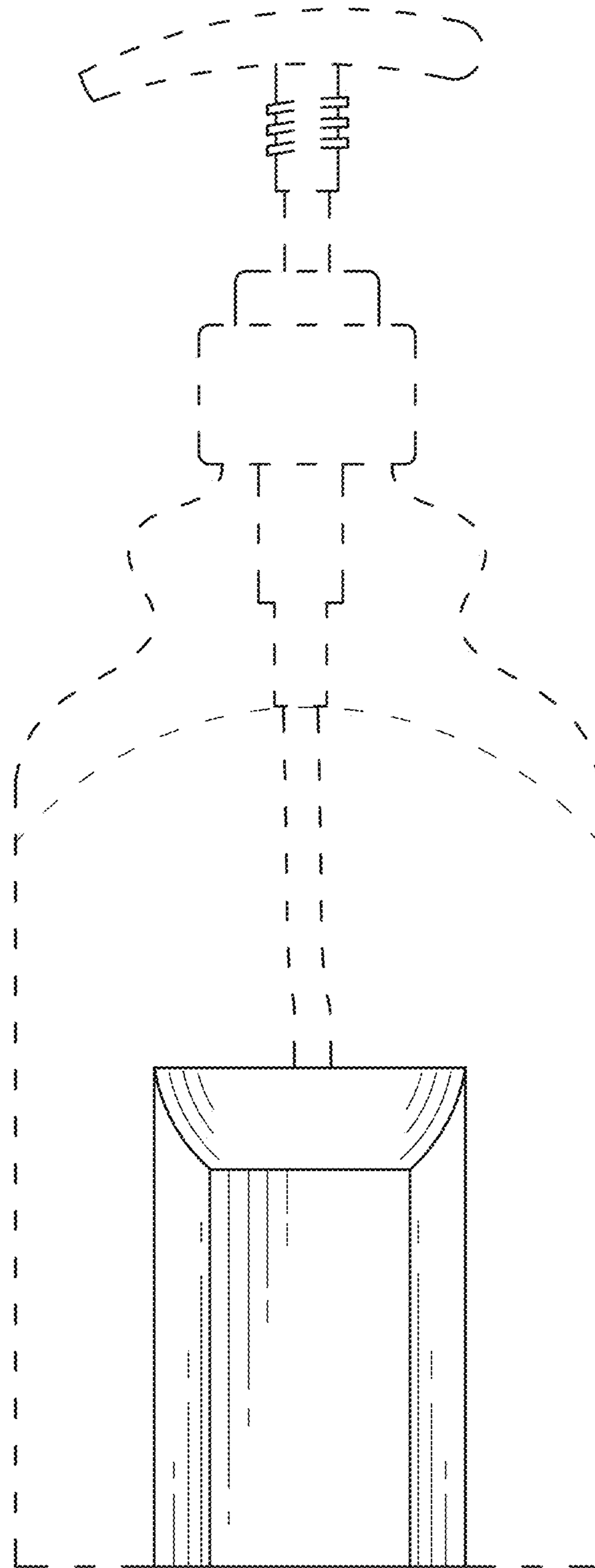


FIG. 2

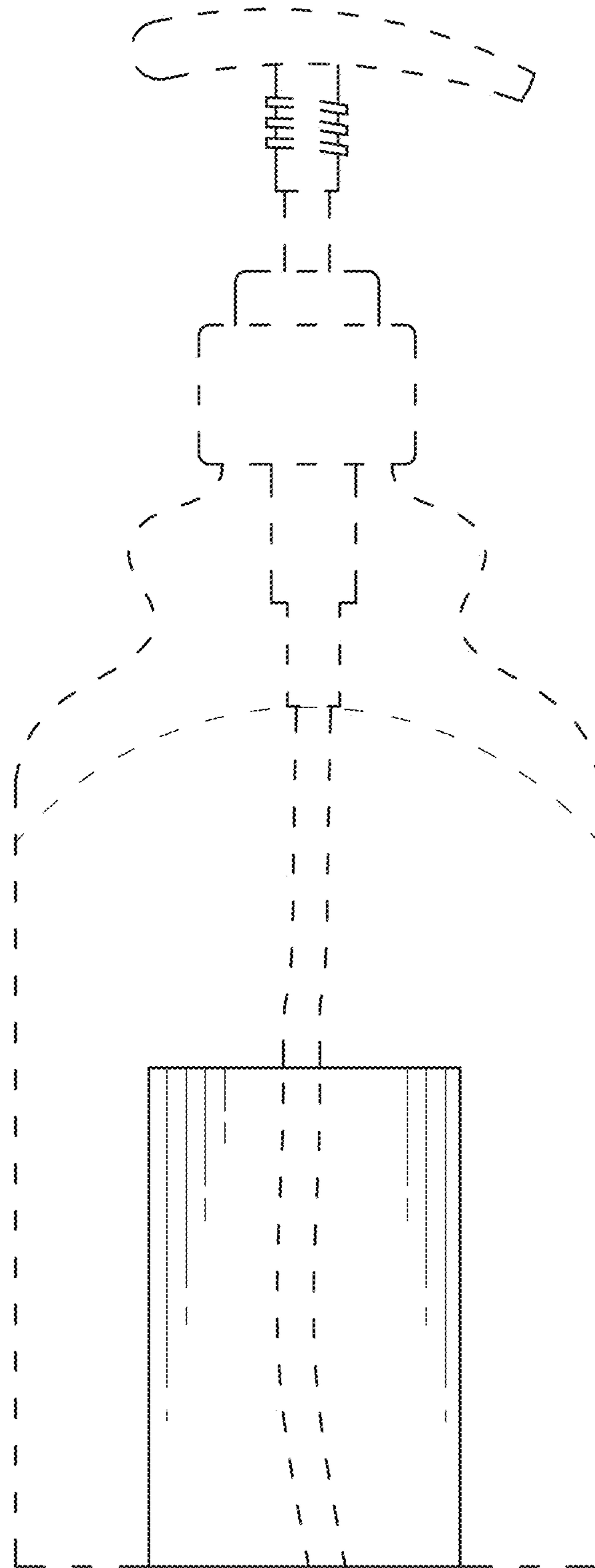


FIG. 3

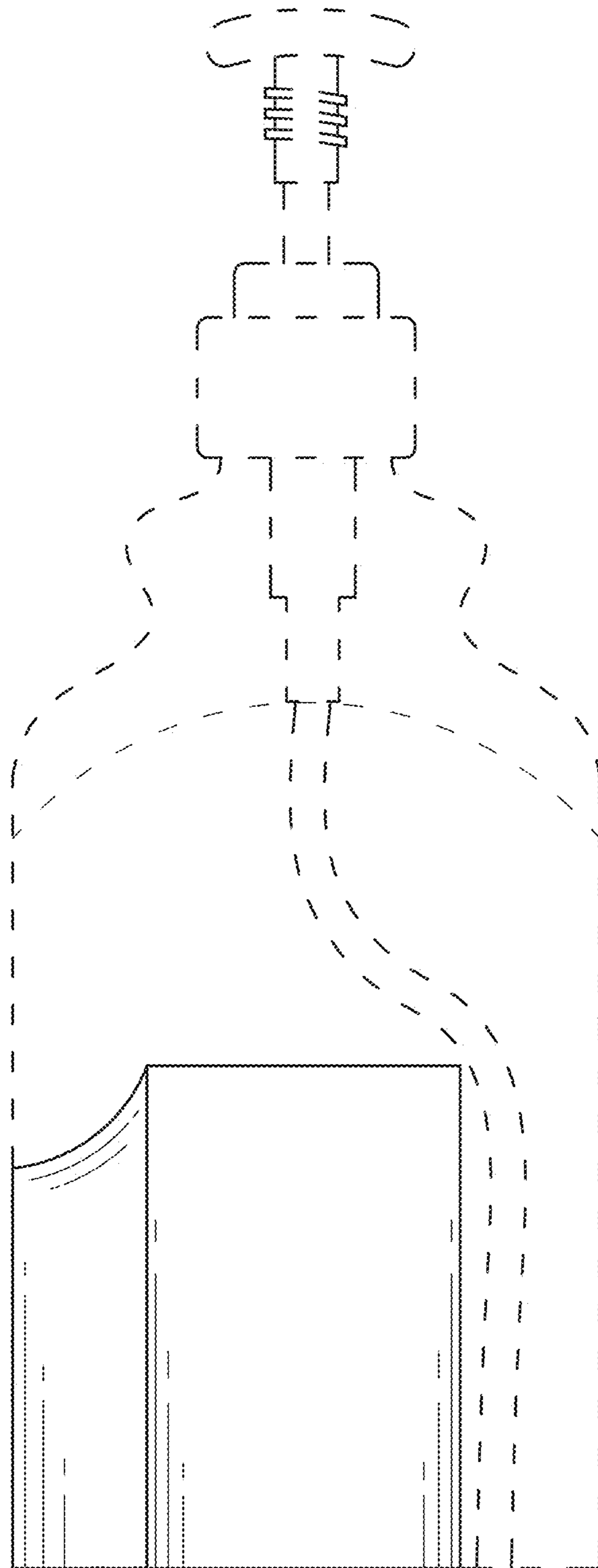


FIG. 4

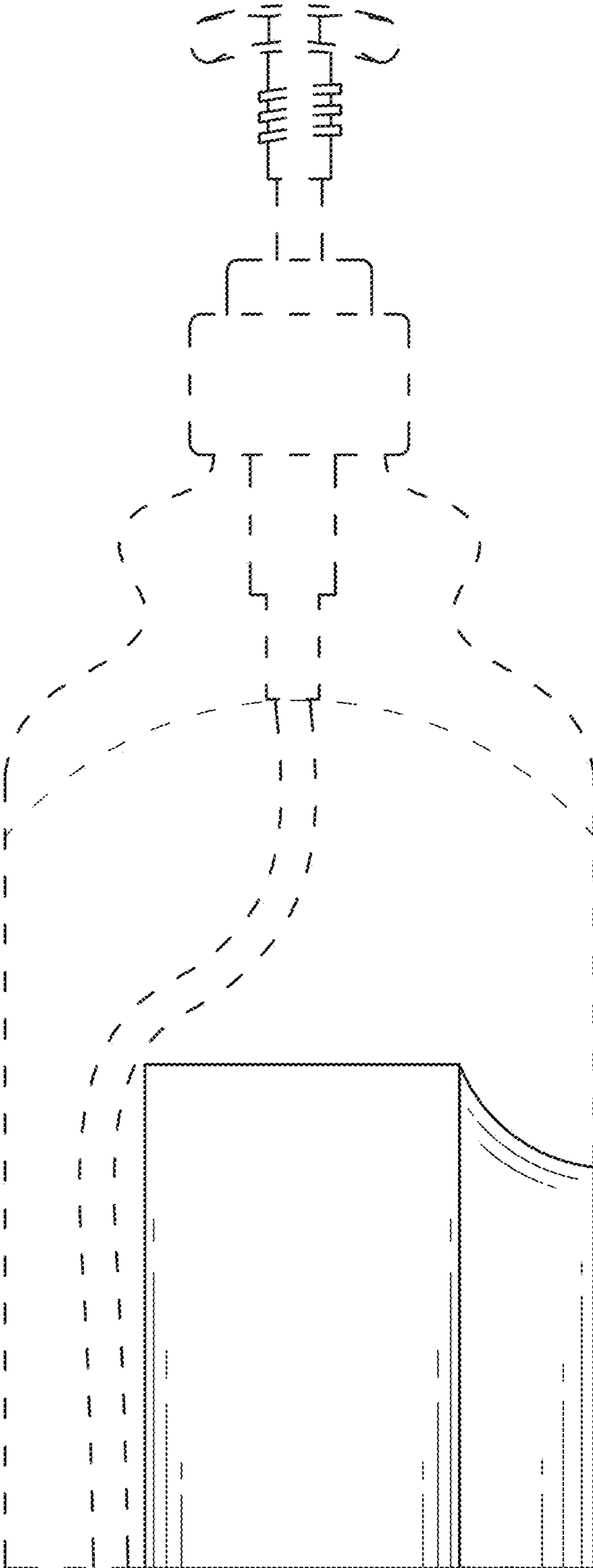


FIG. 5

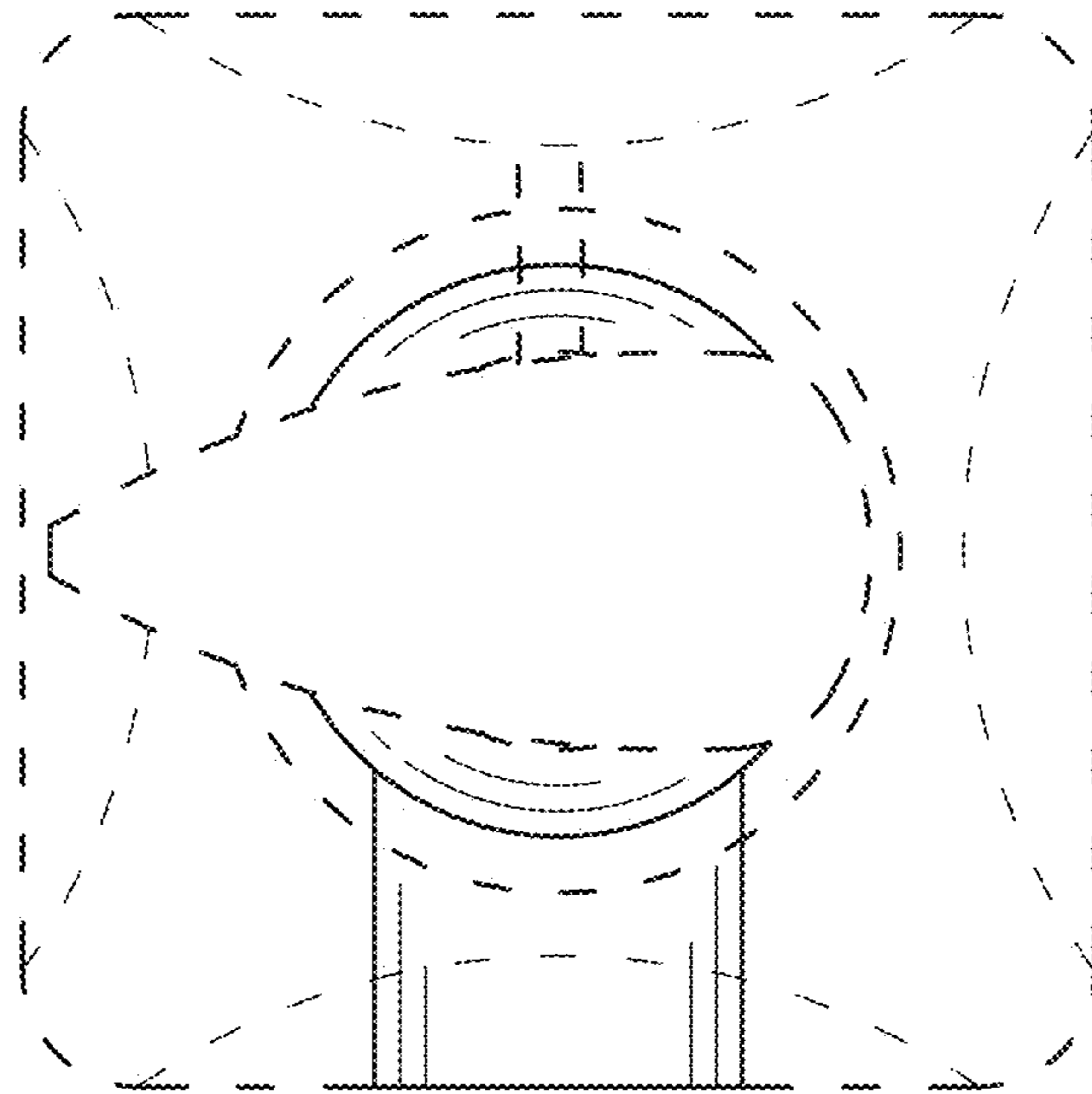


FIG. 6



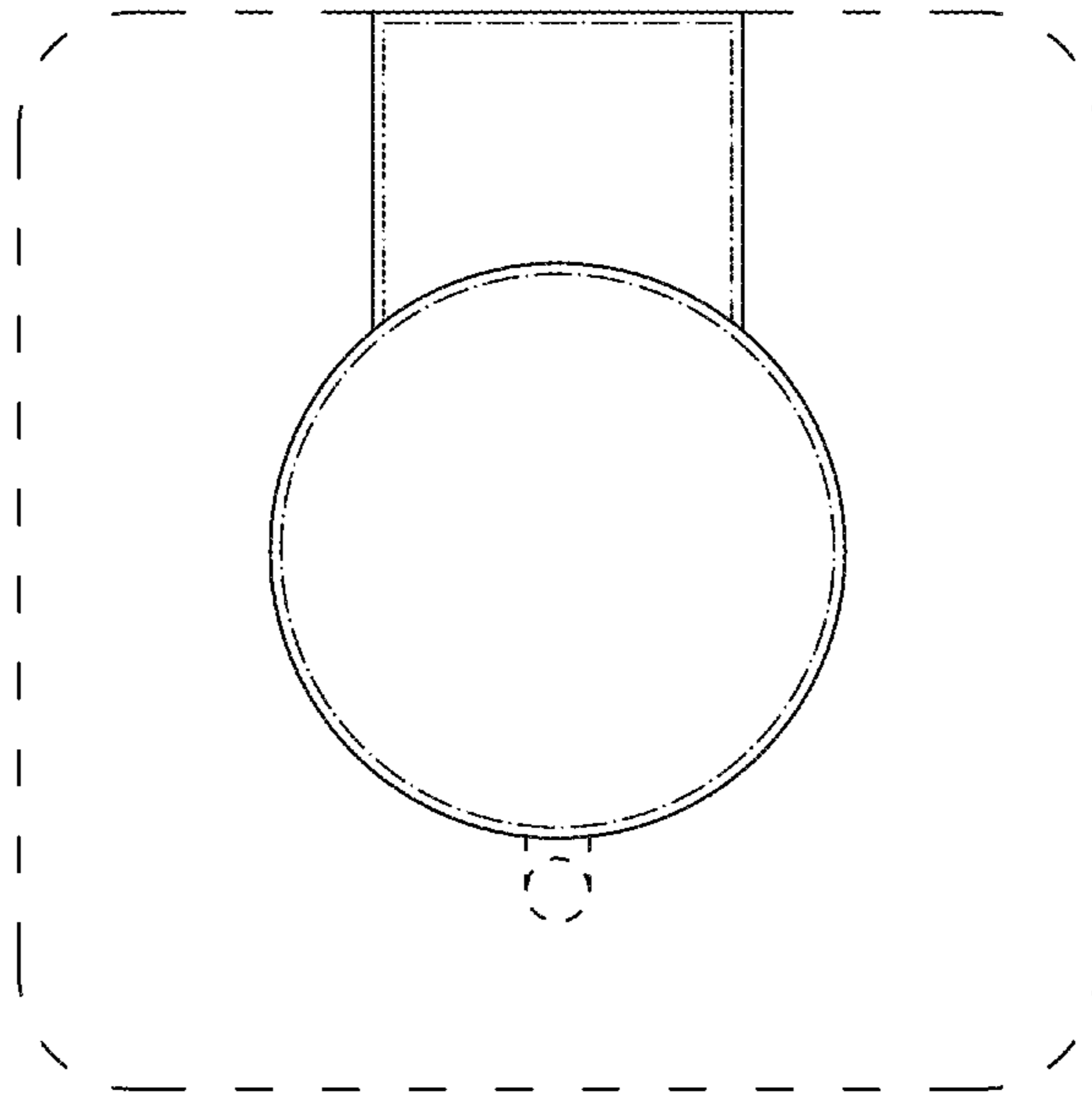


FIG. 7

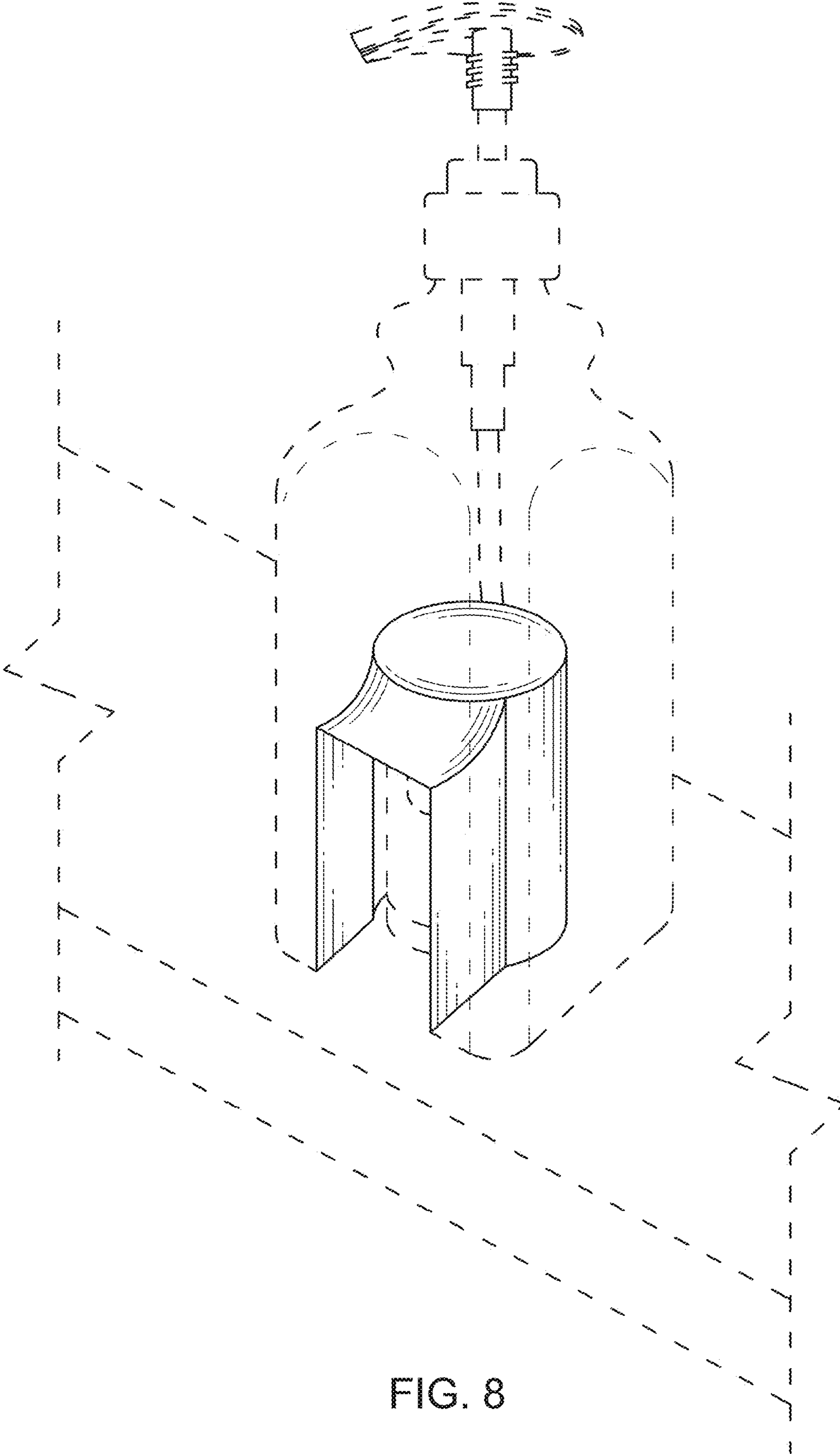


FIG. 8