



US00D979418S

(12) **United States Design Patent**
Higuchi et al.

(10) **Patent No.:** **US D979,418 S**

(45) **Date of Patent:** **** Feb. 28, 2023**

(54) **PACKAGING CONTAINER**

(71) Applicant: **SEIKO EPSON CORPORATION,**
Tokyo (JP)

(72) Inventors: **Tomoyuki Higuchi,** Shiojiri (JP);
Tadahiro Mizutani, Shiojiri (JP); **Taku**
Ishizawa, Matsumoto (JP); **Yoshiaki**
Shimizu, Matsumoto (JP)

(73) Assignee: **SEIKO EPSON CORPORATION,**
Tokyo (JP)

(**) Term: **15 Years**

(21) Appl. No.: **29/718,485**

(22) Filed: **Dec. 24, 2019**

(30) **Foreign Application Priority Data**

Jun. 28, 2019 (JP) 2019-014509
Jun. 28, 2019 (JP) 2019-014513
Jun. 28, 2019 (JP) 2019-014520

(51) **LOC (14) Cl.** **09-01**

(52) **U.S. Cl.**
USPC **D9/550; D9/549; D9/575**

(58) **Field of Classification Search**
USPC D9/500–505, 529, 547, 548, 549, 550,
D9/556, 557, 558, 573, 575, 428, 445,
D9/518, 551, 563, 564, 520, 449, 718,
D9/724, 754; D3/203.2; D18/56
CPC .. B65D 1/0223; B65D 83/205; B65D 1/0246;
A45D 34/045

See application file for complete search history.

(56) **References Cited**

U.S. PATENT DOCUMENTS

D92,781 S * 7/1934 Tricard D9/550
D201,586 S * 7/1965 Erkers D9/504
D257,831 S * 1/1981 Welch B65D 47/266
D9/445

D273,767 S * 5/1984 Weiler D9/520
D279,080 S * 6/1985 Negishi D9/453
D298,012 S * 10/1988 Larkin B65D 47/18
D9/549

(Continued)

FOREIGN PATENT DOCUMENTS

CN 301921504 * 5/2012
CN 304200073 * 7/2017

(Continued)

Primary Examiner — Brett Miller
Assistant Examiner — Rani J Abdallah

(57) **CLAIM**

The ornamental design for a packaging container, as shown and described.

DESCRIPTION

FIG. 1 is a front, top and right side perspective view of a first embodiment of a packaging container showing our new design;

FIG. 2 is a front view thereof;

FIG. 3 is a rear view thereof;

FIG. 4 is a top plan view thereof;

FIG. 5 is a right side view thereof;

FIG. 6 is a left side view thereof;

FIG. 7 is a front, top and right side perspective view of a second embodiment of a packaging container showing our new design;

FIG. 8 is a front view thereof;

FIG. 9 is a rear view thereof;

FIG. 10 is a top plan view thereof;

FIG. 11 is a right side view thereof; and,

FIG. 12 is a left side view thereof.

The bottom plan view of the packaging container is omitted since it is unornamented and forms no part of the claimed design. The broken lines illustrate portions of the packing container that form no part of the claimed design.

1 Claim, 12 Drawing Sheets



(56)

References Cited

U.S. PATENT DOCUMENTS

D362,623	S	*	9/1995	Ma	D9/453
D491,469	S	*	6/2004	Horie	D9/529
D573,464	S	*	7/2008	Kogure	D9/452
D707,564	S	*	6/2014	Rosenbaum	D9/549
D768,506	S	*	10/2016	Hua	D9/724
D790,624	S	*	6/2017	Matsushita	D9/503
D816,158	S	*	4/2018	Yoshii	D18/56
D849,532	S	*	5/2019	Ishizawa	D9/434
D860,322	S	*	9/2019	Edwards	D9/500
D865,521	S	*	11/2019	Ishizawa	D9/453
D869,550	S	*	12/2019	Yoshii	D18/56
D904,902	S	*	12/2020	Yang	D9/503
D925,647	S	*	7/2021	Ogasawara	D18/56
D928,629	S	*	8/2021	Yang	D9/724
2006/0111680	A1	*	5/2006	Spada	B65D 47/18 604/295
2017/0057710	A1	*	3/2017	Greiner-Perth	B65D 47/266

FOREIGN PATENT DOCUMENTS

CN	304425331	*	12/2017
GB	1048903	*	10/1988
JP	D1573301	S	3/2018
KR	300920874.0000	*	8/2017
RU	00106992	*	2/2018

* cited by examiner

FIG. 1

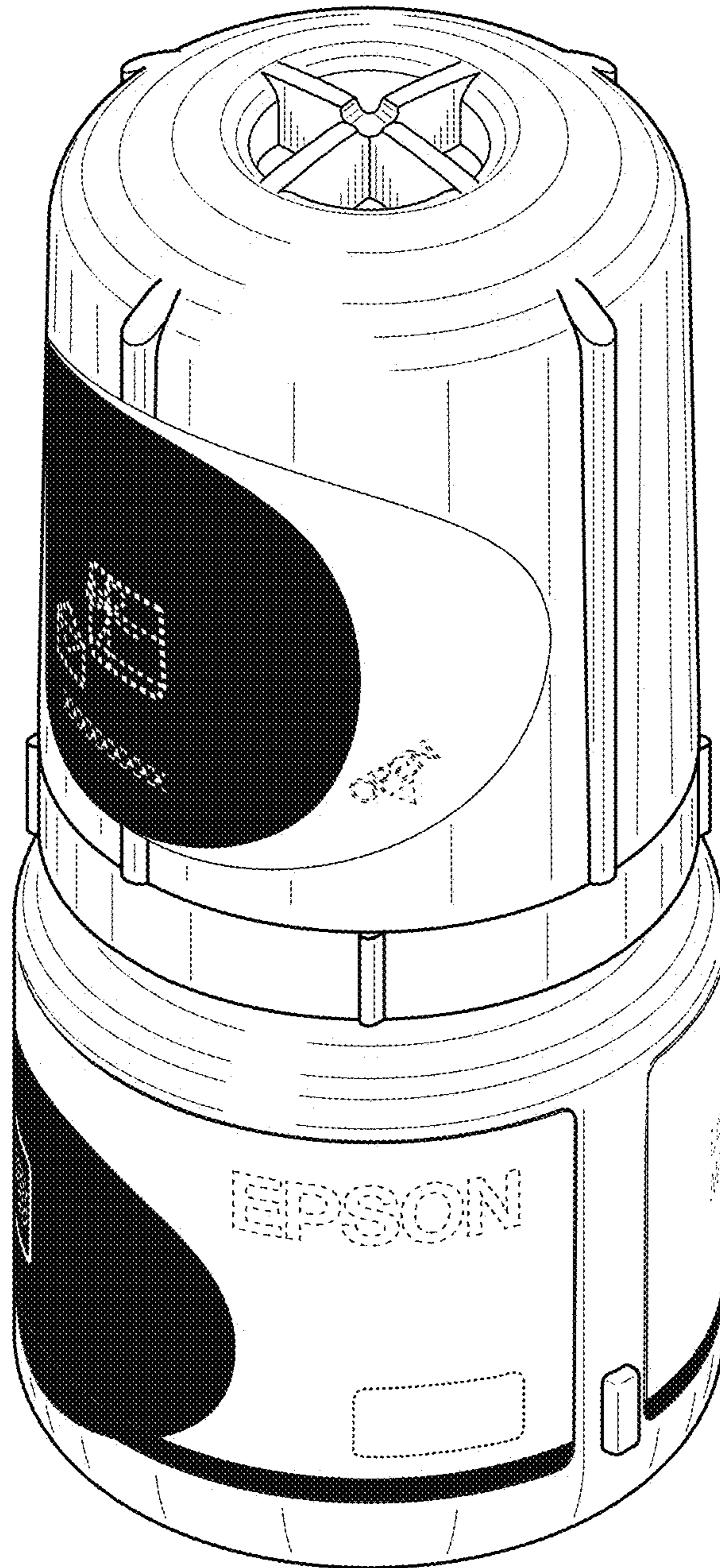


FIG. 2

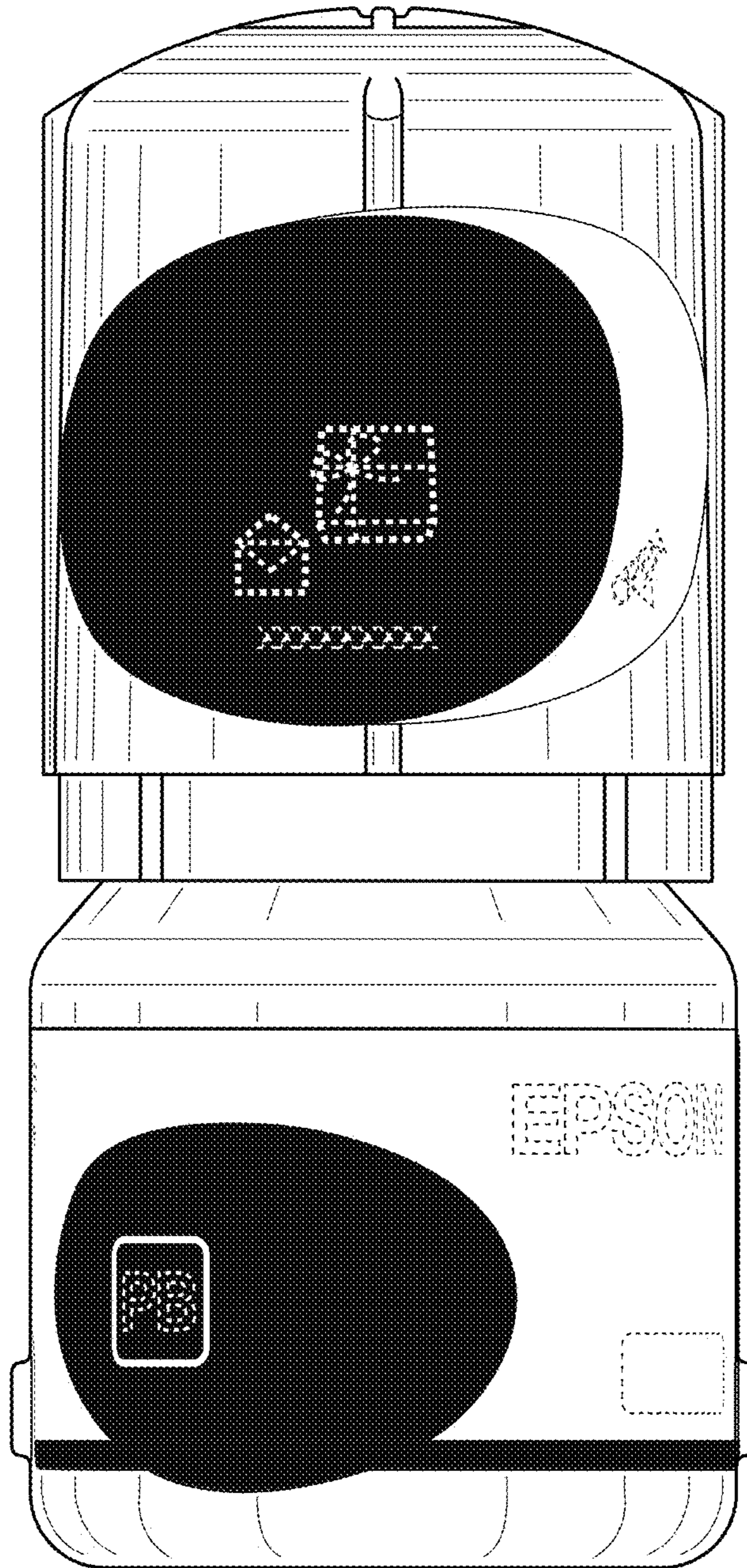


FIG. 3

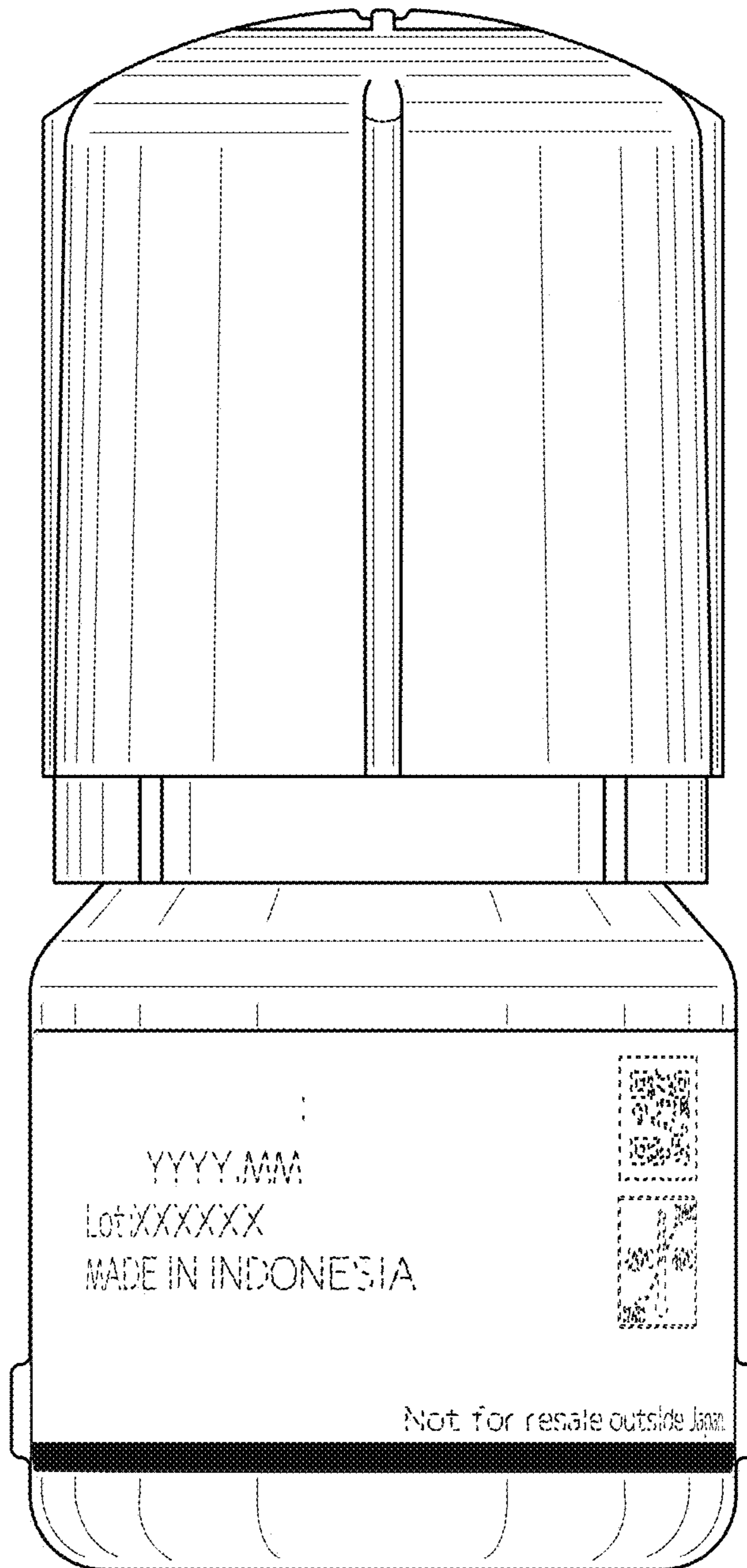


FIG. 4

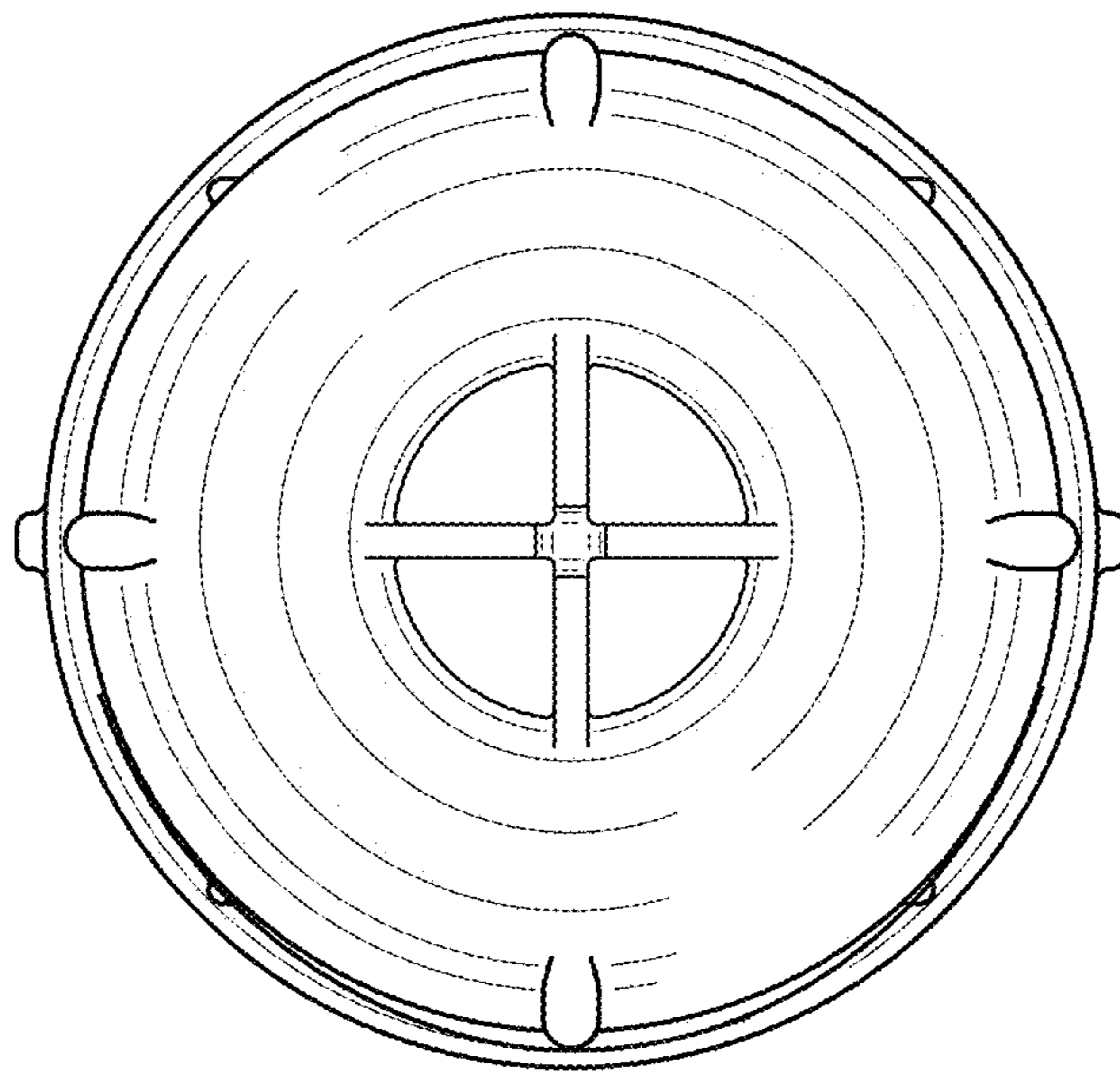


FIG. 5

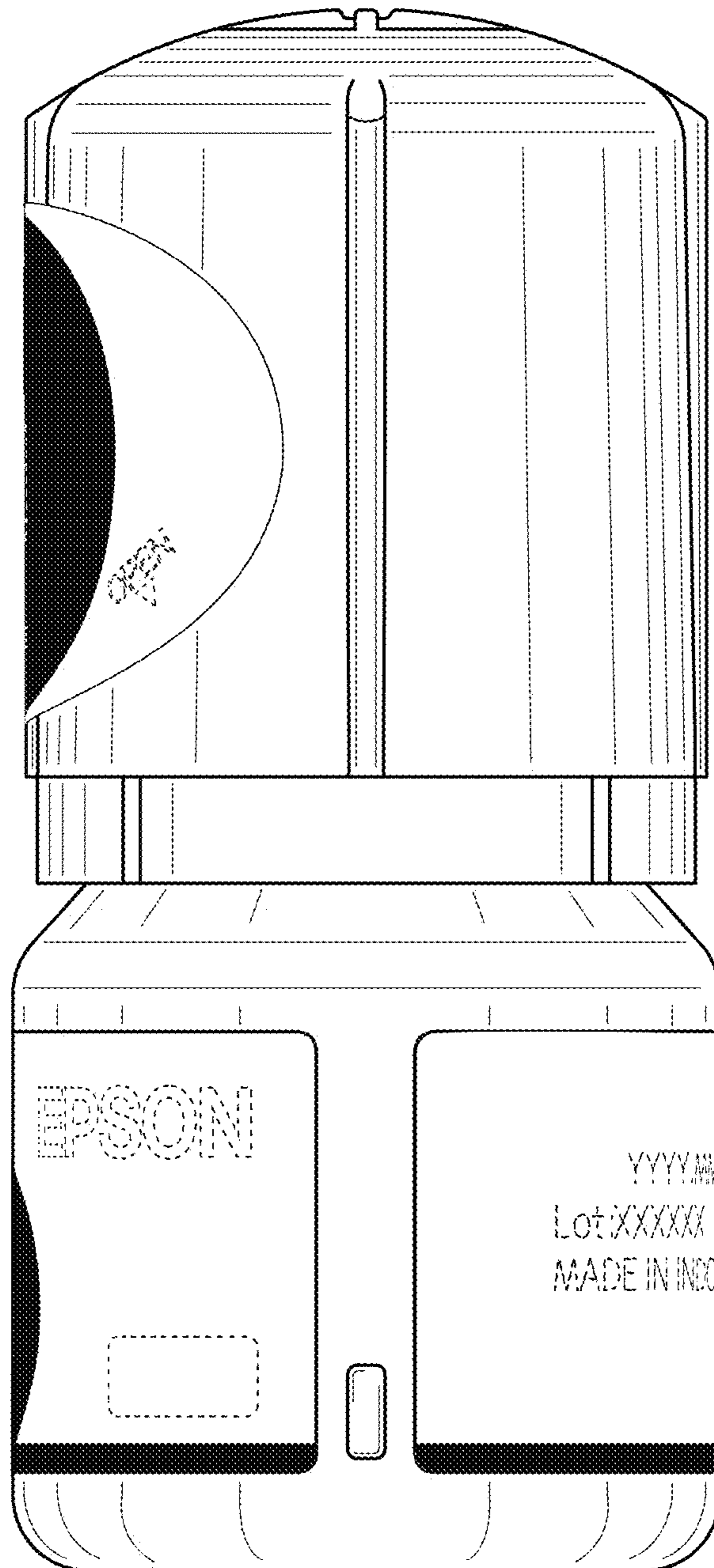


FIG. 6

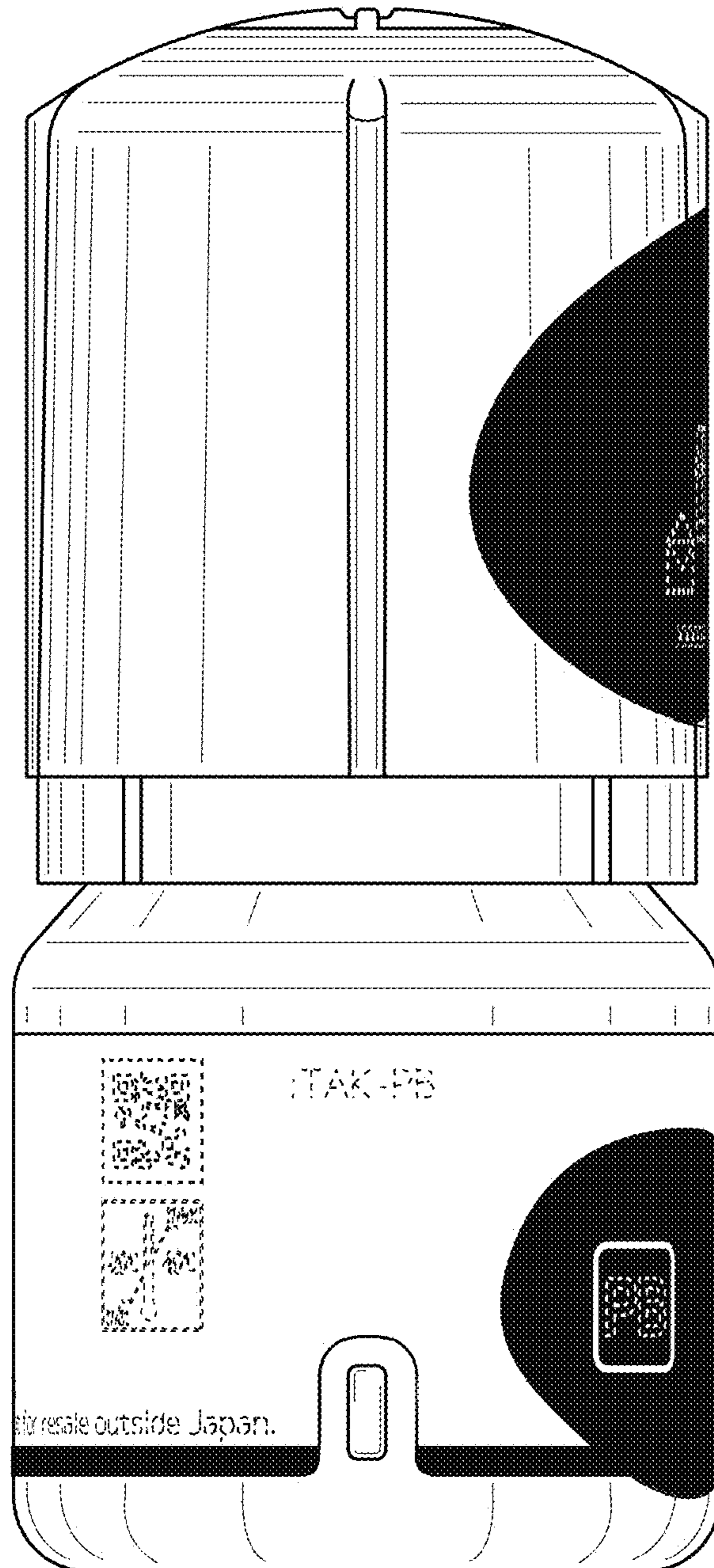


FIG. 7

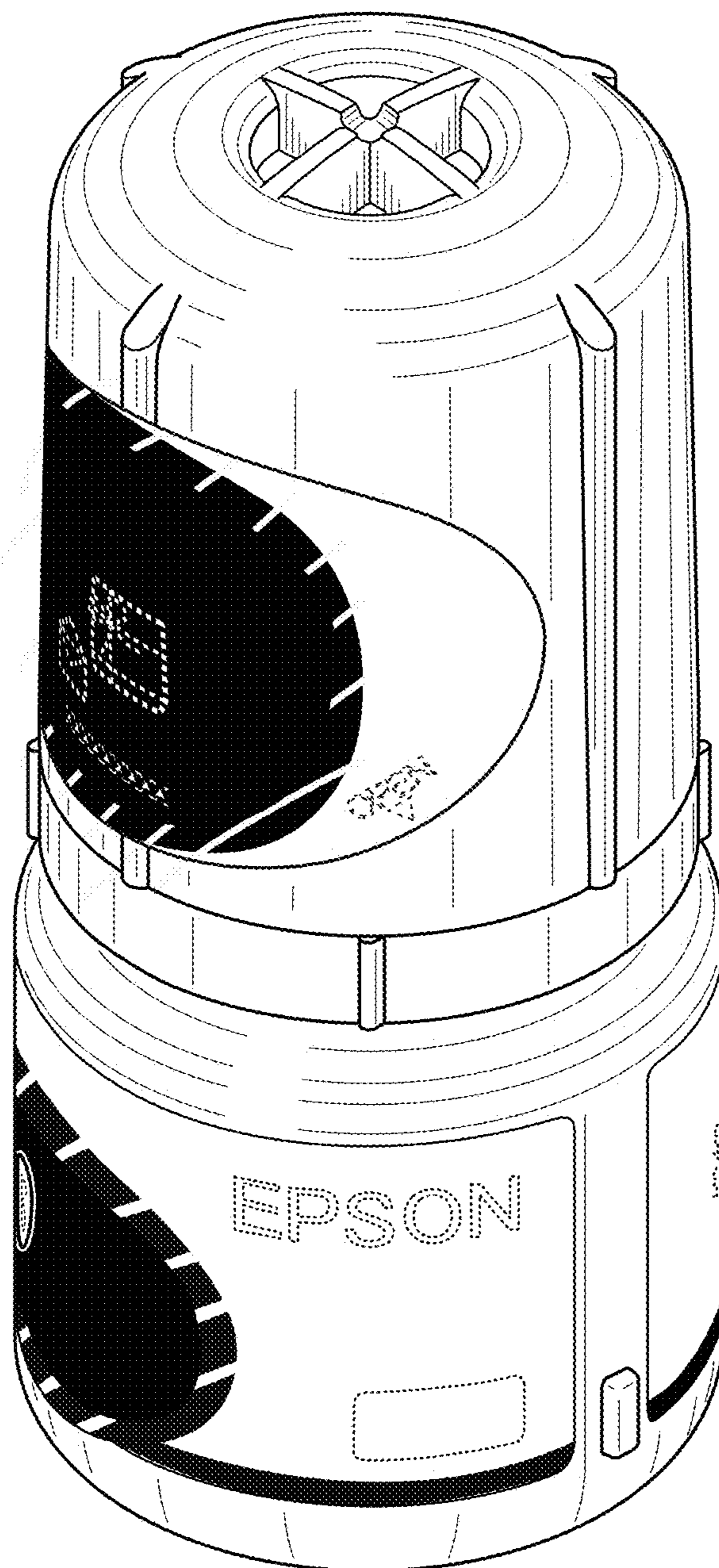


FIG. 8

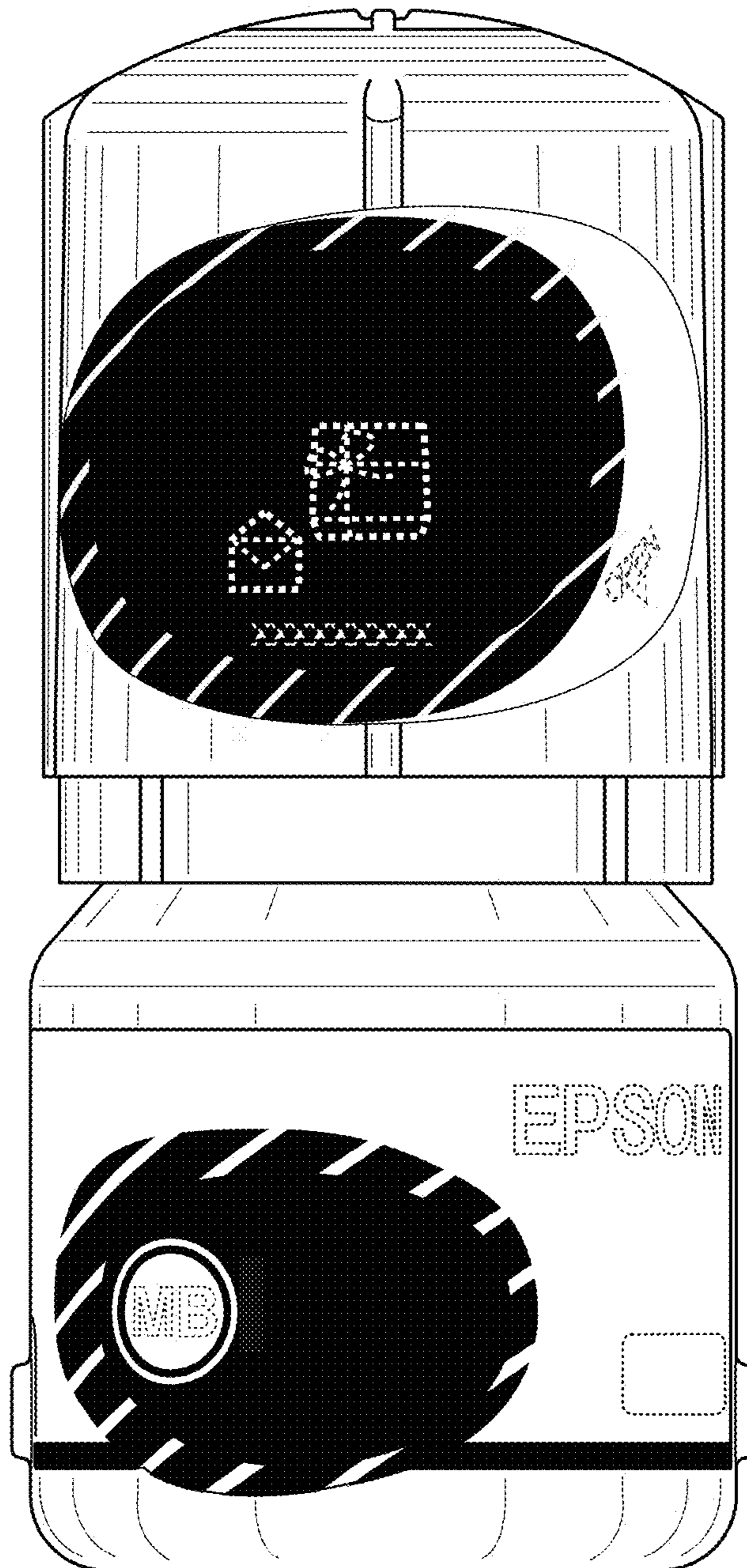


FIG. 9

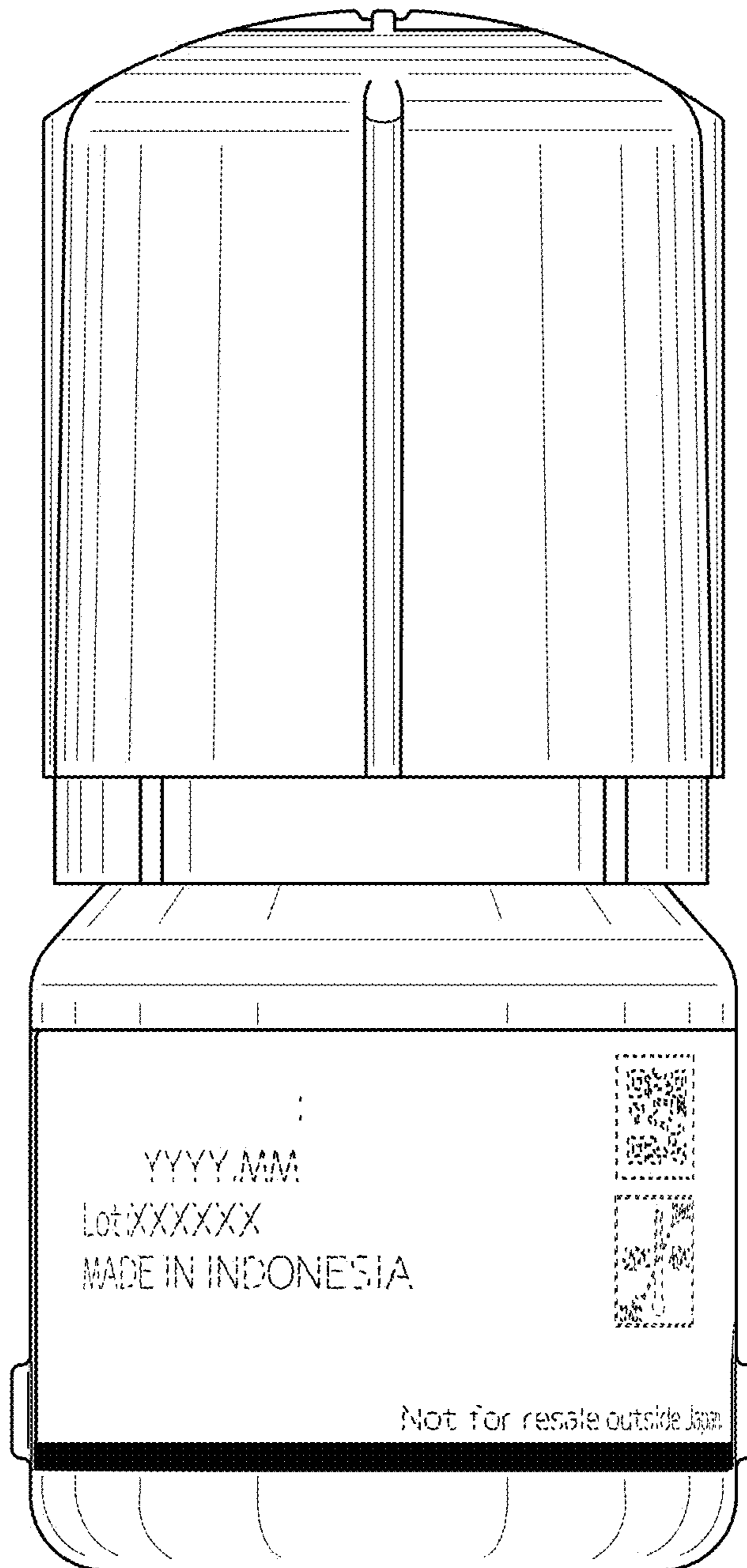


FIG. 10

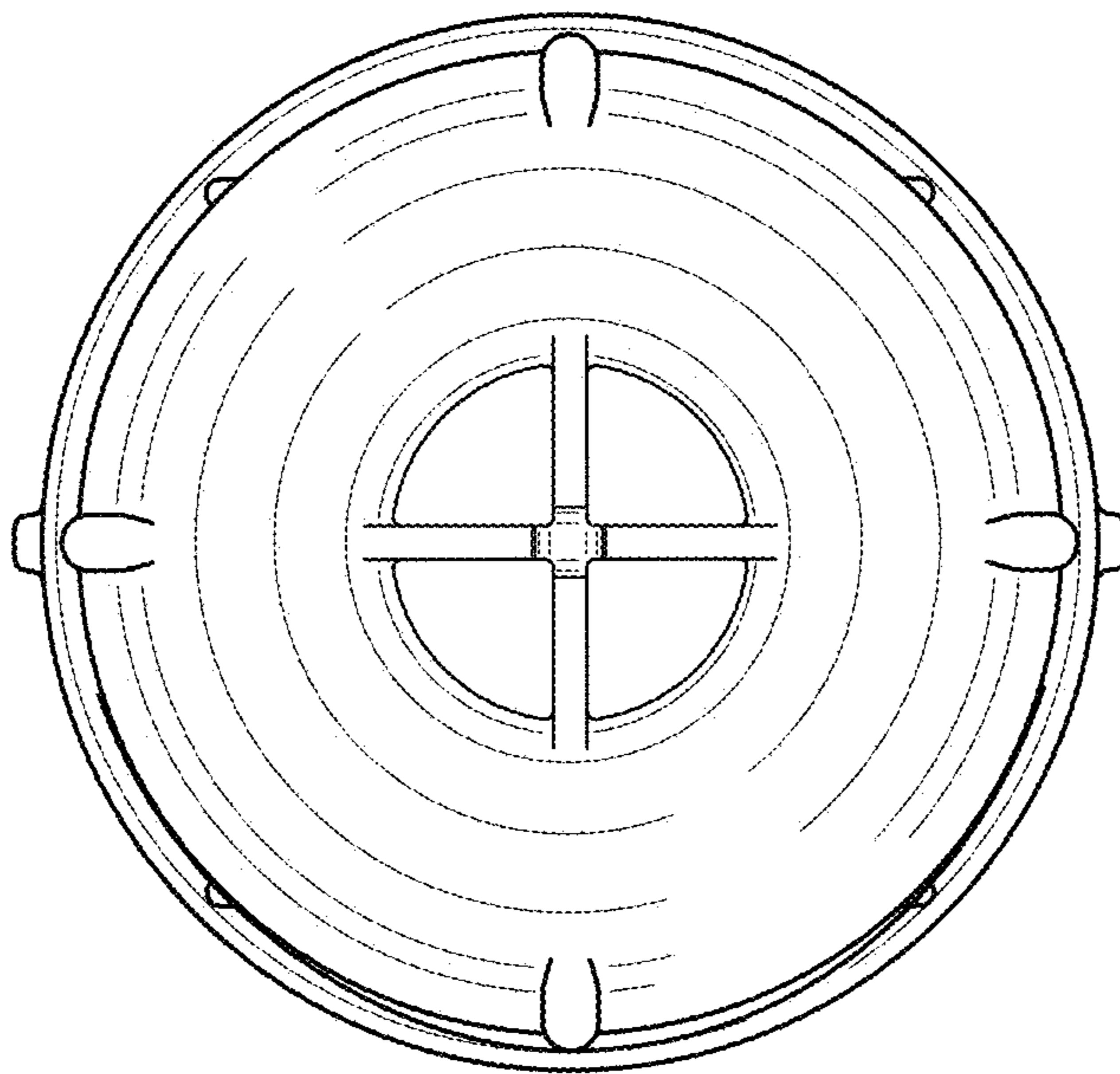


FIG. 11

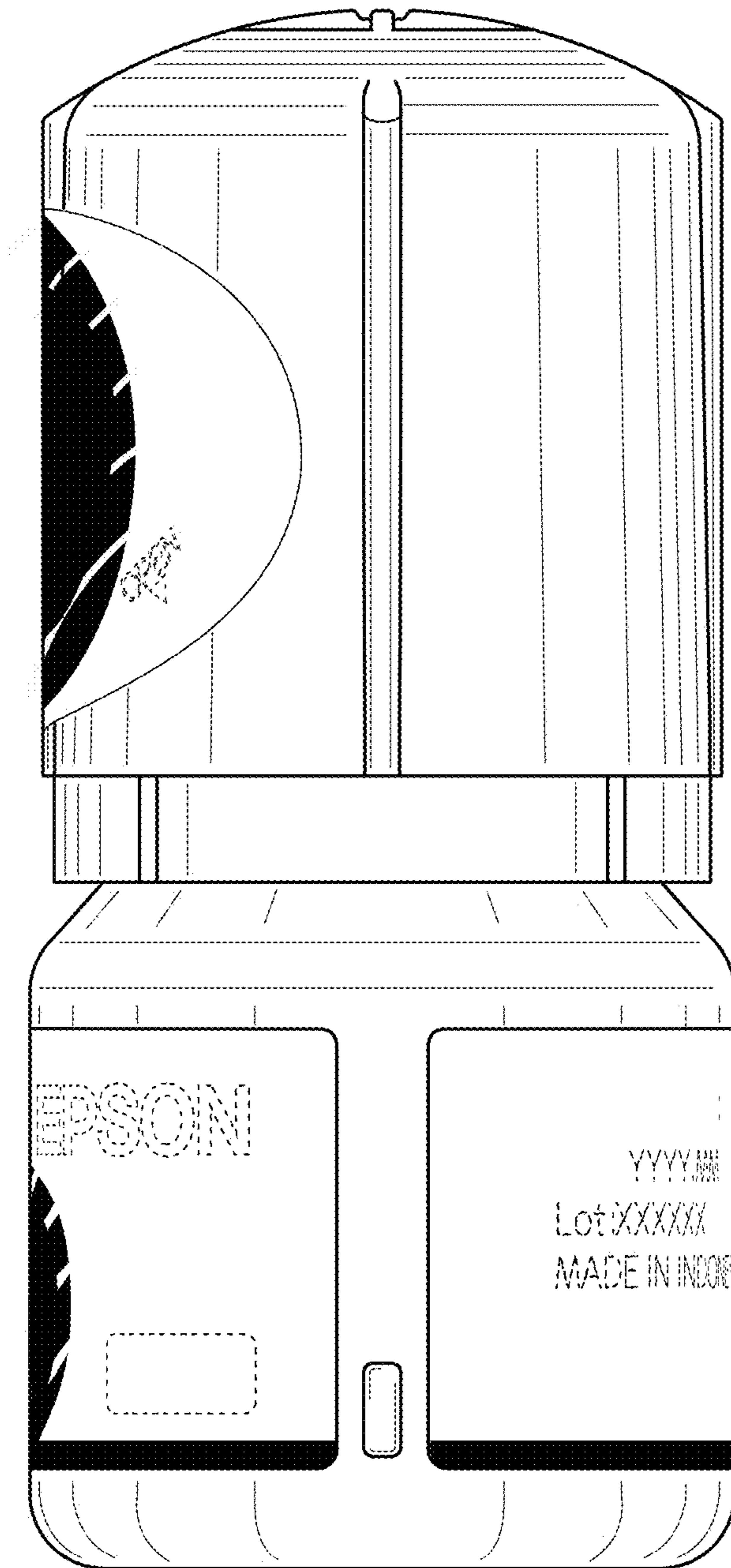


FIG. 12

