



US00D979413S

(12) **United States Design Patent** (10) **Patent No.:** **US D979,413 S**
Lee (45) **Date of Patent:** **** Feb. 28, 2023**

(54) **CONTAINER**
(71) Applicant: **VQ, Inc.**, Holland, MI (US)
(72) Inventor: **Jay Lee**, Carol Stream, IL (US)
(73) Assignee: **VQ, Inc.**, Holland, MI (US)
(**) Term: **15 Years**

D528,425 S * 9/2006 Van Dorin D9/527
D559,111 S * 1/2008 Reimann D9/531
D569,476 S 5/2008 Munlin
D602,366 S * 10/2009 Restive D9/543
D769,123 S * 10/2016 Hegarty D9/527
D769,548 S 10/2016 Spiegel
D781,155 S 3/2017 Hegarty
D817,769 S * 5/2018 Hegarty D9/527
(Continued)

(21) Appl. No.: **29/779,108**
(22) Filed: **Apr. 16, 2021**
(51) **LOC (14) Cl.** **09-01**
(52) **U.S. Cl.**
USPC **D9/531**
(58) **Field of Classification Search**
USPC D9/434, 500, 501, 502, 503, 504, 505,
D9/516, 520, 521, 522, 525, 527, 528,
D9/530, 531, 541, 542, 548, 574, 575,
D9/715, 719, 733; D23/211.1; D24/121,
D24/122, 207, 224
CPC B65D 1/00; B65D 1/02; B65D 1/0223;
B65D 1/0261; B65D 1/0284; B65D 1/12;
B65D 1/18; B65D 1/20; B65D 23/00;
B65D 23/003; B65D 23/10; B65D
2501/00; B65D 2501/0009; B65D
2501/0081; B67D 3/0025; B67D 3/0029;
B67D 3/0032; B67D 3/0035
See application file for complete search history.

(56) **References Cited**
U.S. PATENT DOCUMENTS
D205,166 S * 6/1966 Price D9/569
3,984,516 A * 10/1976 Carrow B29C 51/002
264/294
D297,212 S 8/1988 Stavish
D358,097 S * 5/1995 Leibowitz D9/527
D358,548 S * 5/1995 Platte D9/527
5,884,802 A * 3/1999 Leibowitz B65D 25/2882
222/465.1
D485,189 S * 1/2004 Montalbano D9/528
D514,940 S * 2/2006 Darr D9/523

OTHER PUBLICATIONS

FLO-FAST™ 15 Gallon Polyethylene Gas Can, downloaded from
https://www.globalindustrial.com/p/safety/safety-cans/gas/15-gallon-polyethylene-gas-can-red-15501?infoParam.campaignId=T9F&gclid=EAlalQobChMlt-EmpG_2glVhrfACh3l2wEYEAQYAiABEgJ6QvD_BwE, (viewed Feb. 2, 2018).

(Continued)

Primary Examiner — Andrew Kerr
Assistant Examiner — Chariton Alexakis
(74) *Attorney, Agent, or Firm* — Warner Norcross + Judd
LLP

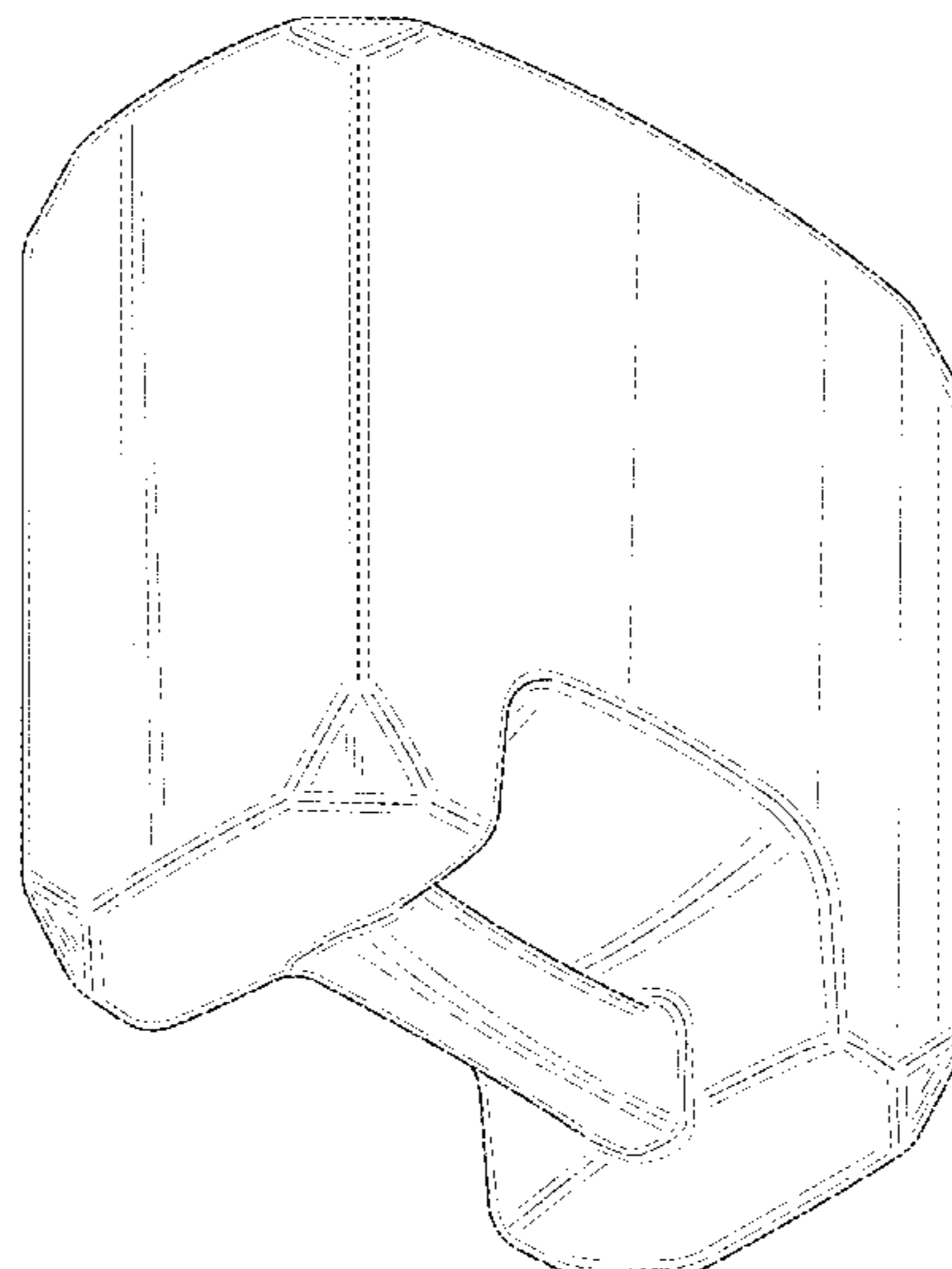
(57) **CLAIM**

The ornamental design for a container, as shown and described.

DESCRIPTION

FIG. 1 is a first perspective view of a container showing my new design;
FIG. 2 is a second perspective view thereof;
FIG. 3 is a front view thereof;
FIG. 4 is a rear view thereof;
FIG. 5 is a left side view thereof;
FIG. 6 is a right side view thereof;
FIG. 7 is a bottom view thereof; and,
FIG. 8 is top view thereof.
The broken lines in FIGS. 1-8, immediately adjacent the claimed surfaces, depict a boundary of the container that forms no part of the claimed design.

1 Claim, 7 Drawing Sheets



(56)

References Cited

U.S. PATENT DOCUMENTS

D830,179 S * 10/2018 Spiegel B65D 25/2882
D9/531
D867,888 S * 11/2019 Essenburg B29C 51/002
D9/542
D915,893 S * 4/2021 Hegarty B65D 23/10
D9/527
D915,895 S * 4/2021 Yourist B65D 1/0223
D9/531
2006/0037929 A1 * 2/2006 Darr B65D 23/10
215/396
2006/0037930 A1 * 2/2006 Darr B65D 1/0223
215/396

OTHER PUBLICATIONS

GOJO® Antibacterial Foaming Soap Refill Bottle—1,200 mL with installation manual downloaded from https://www.uline.com/Product/Detail/S-12765/Hand-Soaps-and-Sanitizers/GOJO-Antibacterial-Foaming-Soap-Refill-Bottle-1200-mL?pricode=WA9238&gadtype=pla&id=S-12765&gclid=EAlalQobChMIz6334srB2gIVHJ7ACh2DRQ90EAYYASABEglZBfD_BwE&gclsrc=aw.ds (viewed Apr. 9, 2018).

* cited by examiner

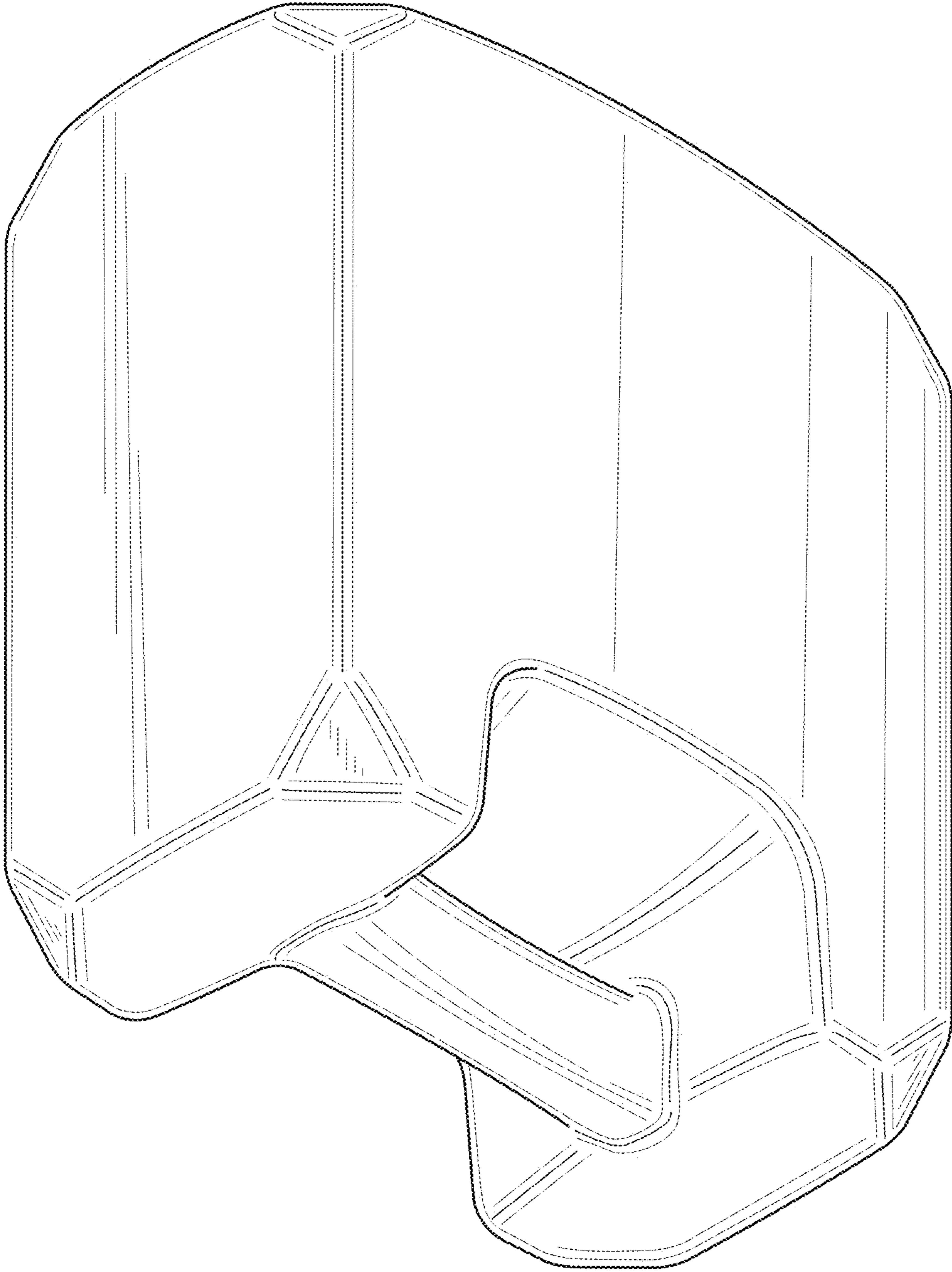


Fig. 1

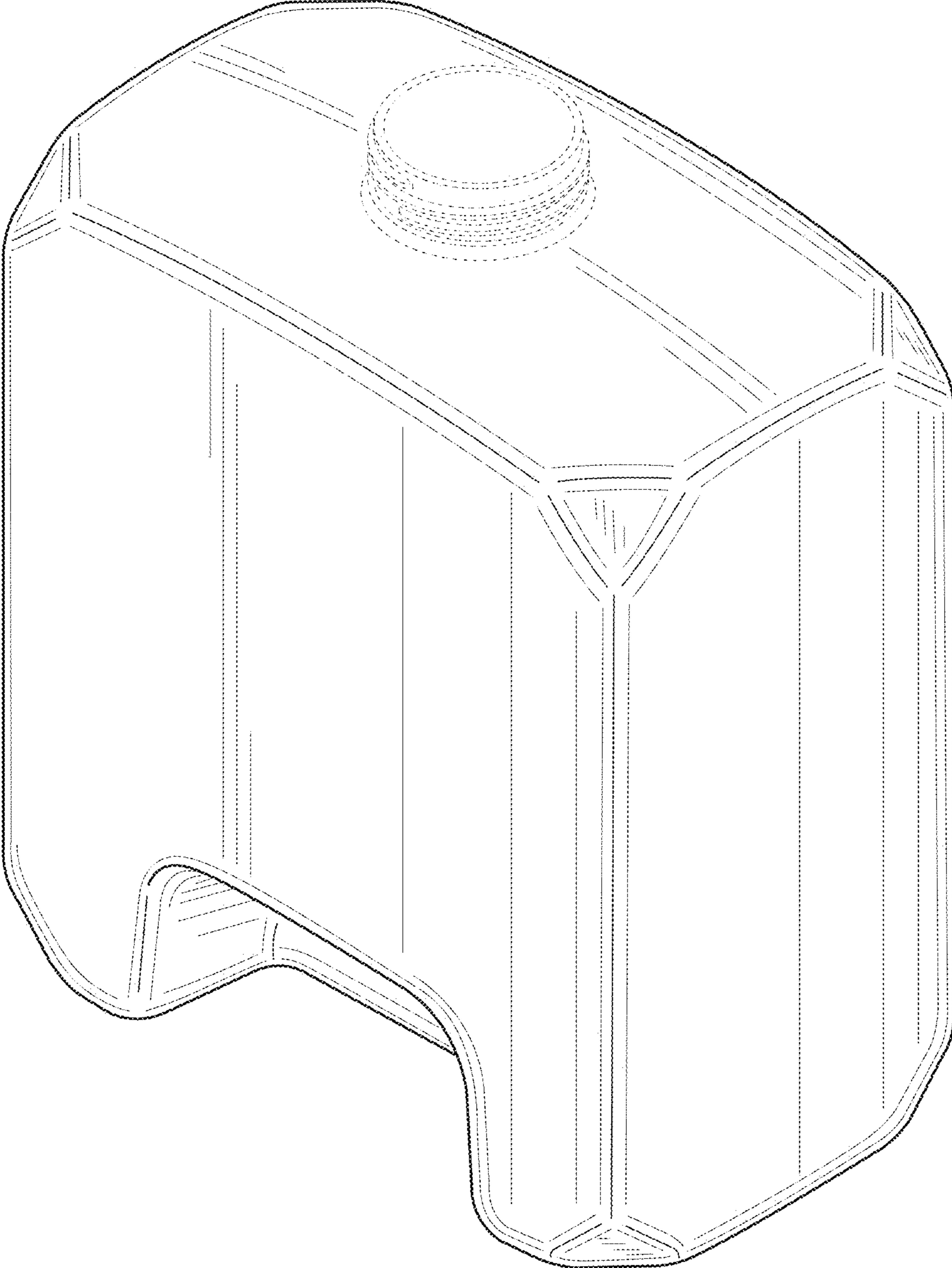


Fig. 2

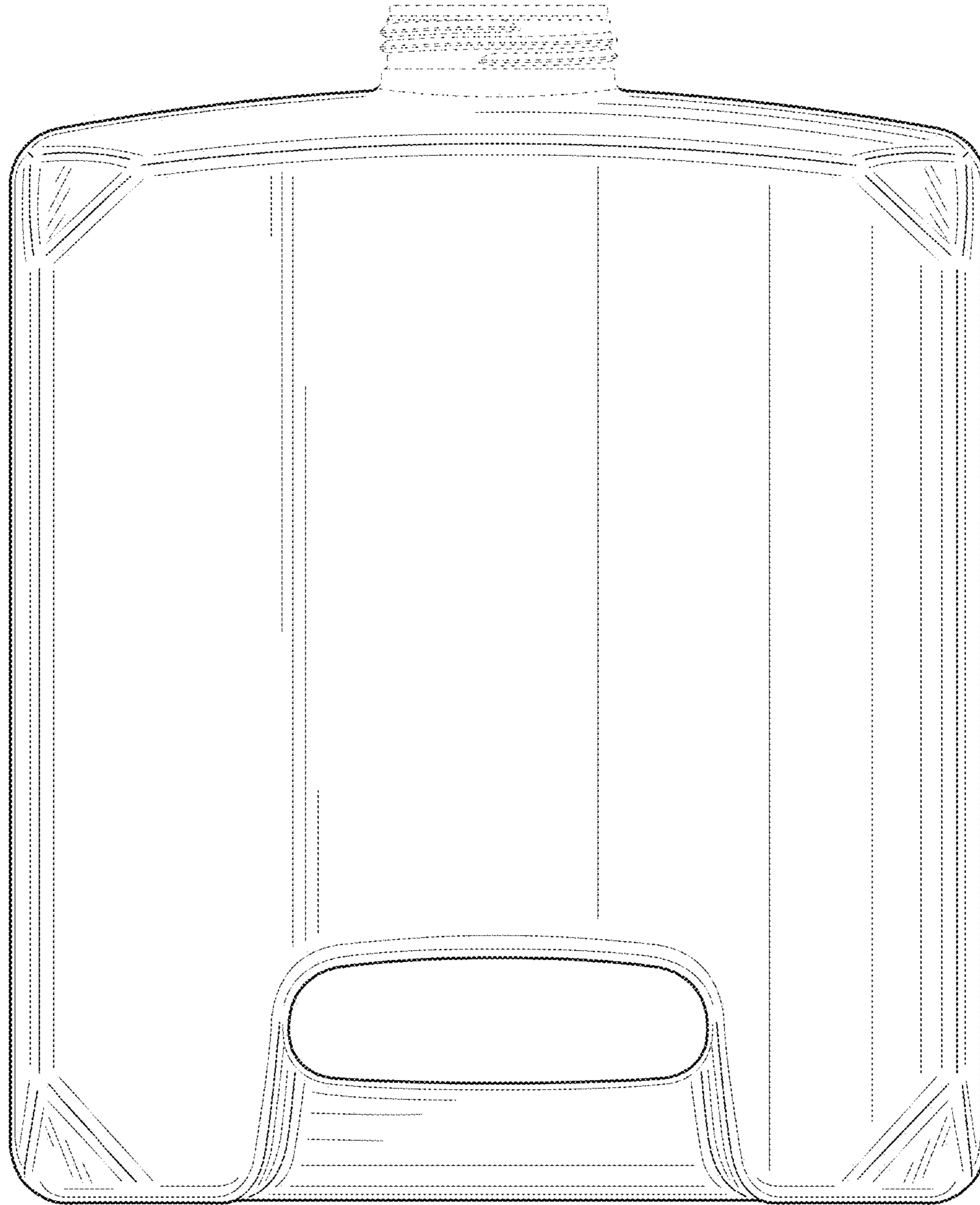


Fig. 3

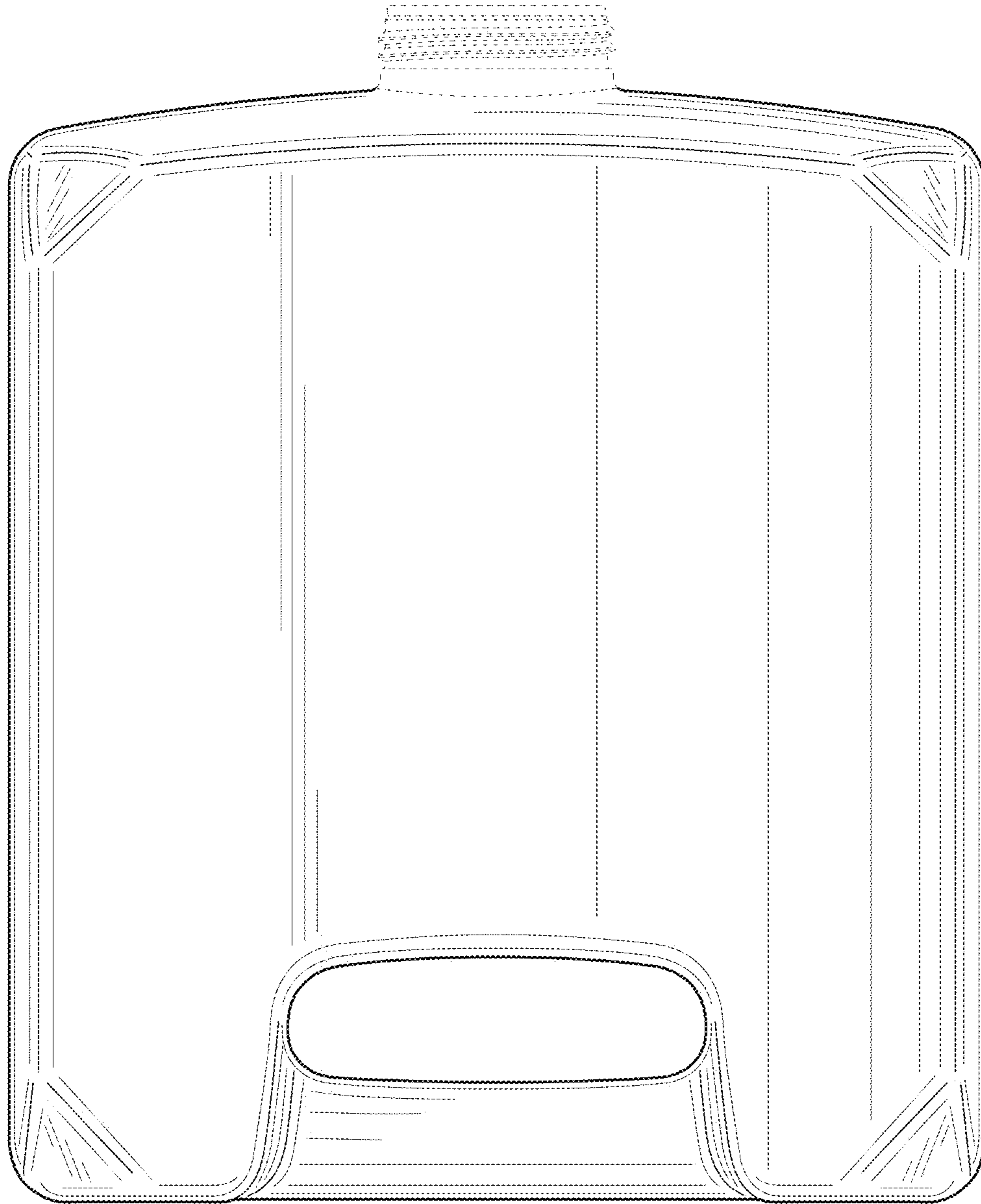


Fig. 4

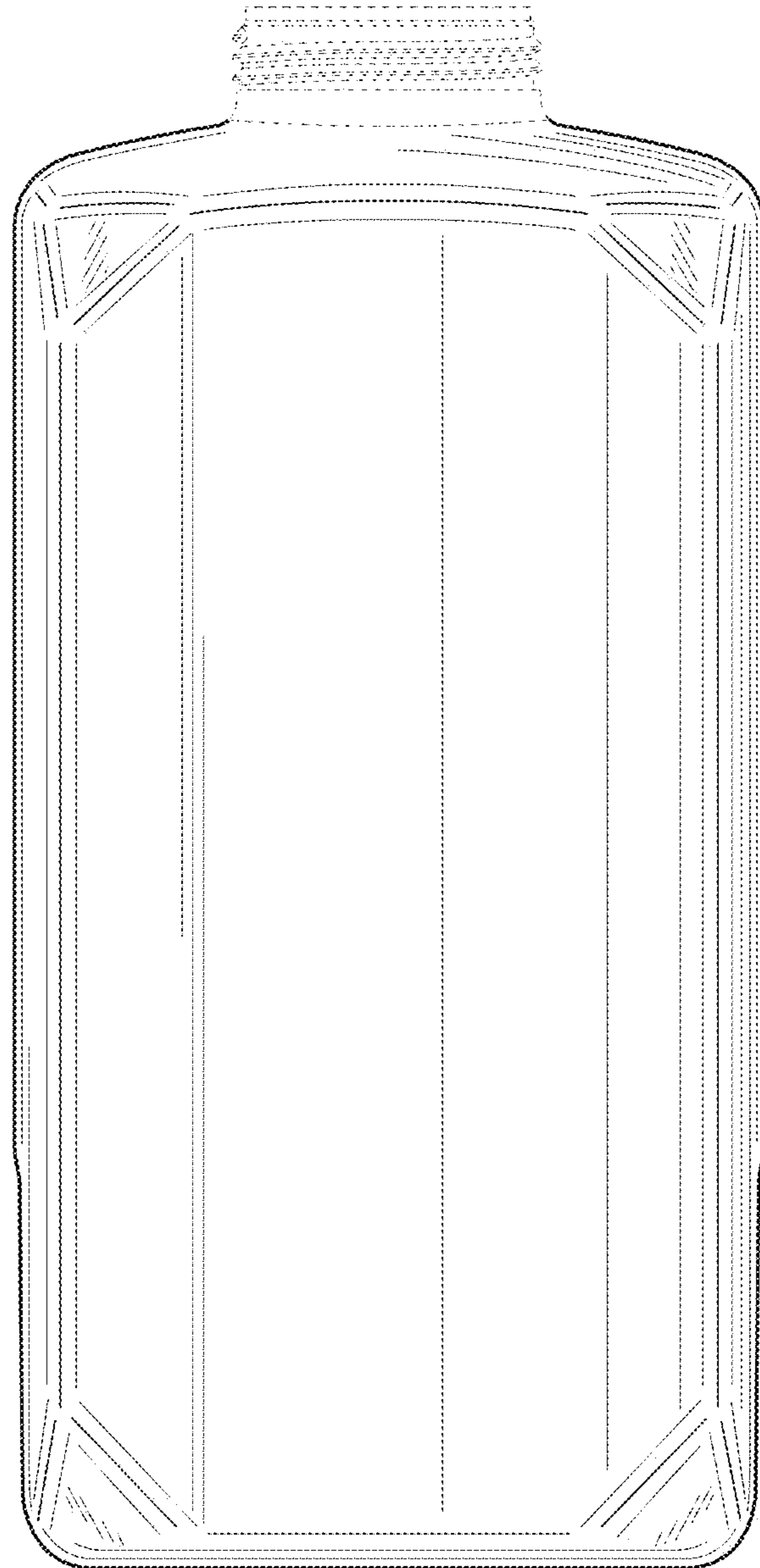


Fig. 5

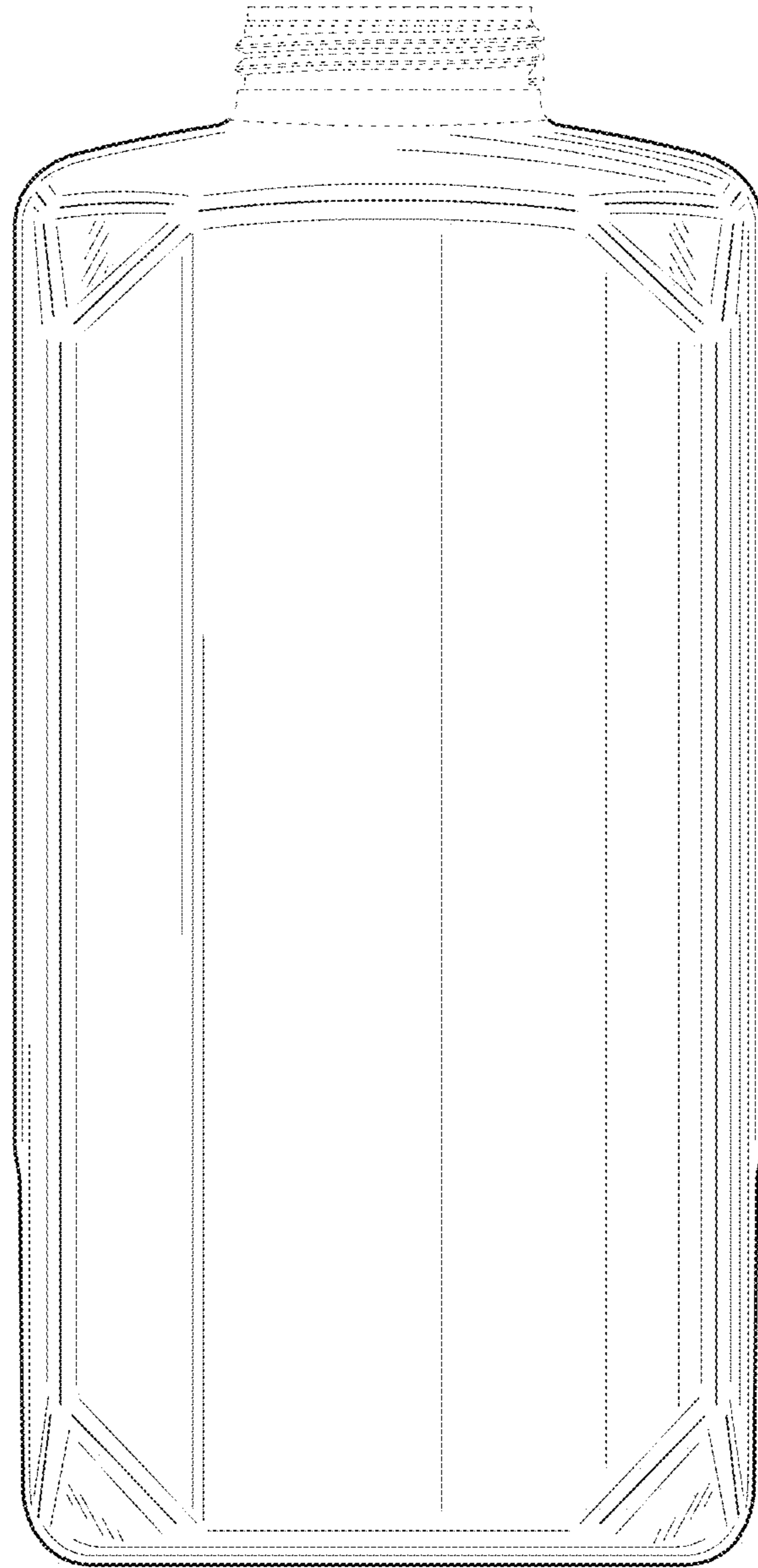


Fig. 6

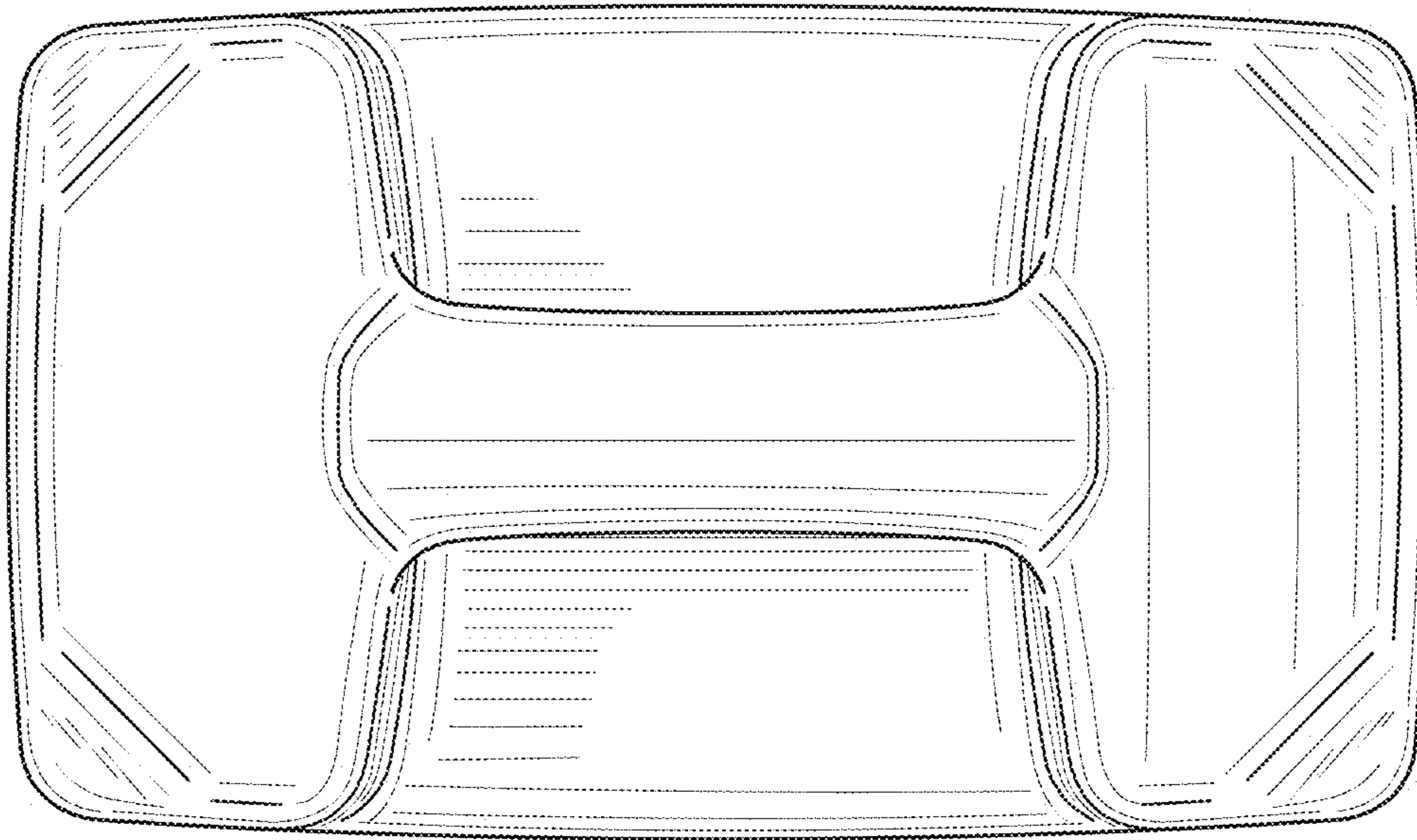


Fig. 7

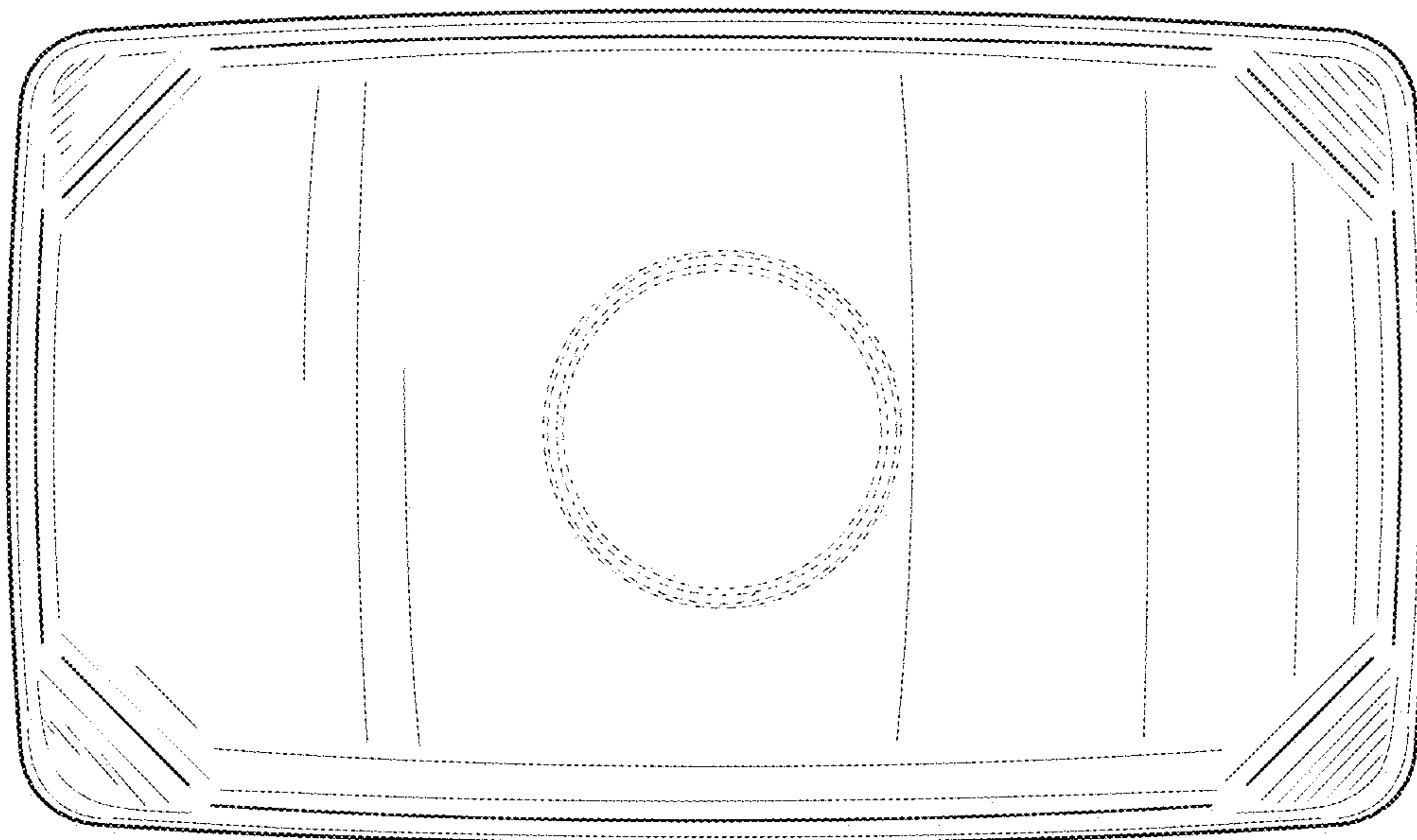


Fig. 8