

(56)

References Cited

U.S. PATENT DOCUMENTS

D298,506 S * 11/1988 Lee D7/393
 D314,147 S 1/1991 Davis
 D349,648 S 8/1994 Tirrell
 D356,260 S 3/1995 Frank
 D370,629 S 6/1996 Lynch
 D404,646 S * 1/1999 Black, Sr. D9/446
 D424,167 S * 5/2000 Yuen D34/39
 D440,154 S 4/2001 Ricard
 D441,848 S * 5/2001 Huang D23/261
 D467,769 S 12/2002 Riendeau
 D471,456 S * 3/2003 Young D9/449
 D475,923 S 6/2003 Renz
 D475,925 S 6/2003 Sturk
 D487,227 S 3/2004 Haley
 D514,446 S 2/2006 Choi
 D514,935 S 2/2006 Sturk
 D519,030 S * 4/2006 Matsuda D9/453
 D530,200 S 10/2006 Kingsley
 D580,009 S * 11/2008 LeJeune D23/209
 D601,311 S 9/2009 DeSeguirant, Jr.
 D606,399 S 12/2009 Scuturio
 D621,915 S * 8/2010 Fima D23/261
 D630,511 S 1/2011 Stull, Sr.
 D643,722 S 8/2011 Gorskey
 D657,848 S * 4/2012 Howson D23/261
 D660,695 S 5/2012 Ishizawa
 D668,149 S 10/2012 Bessinger
 D674,277 S 1/2013 Hanson
 D678,767 S 3/2013 Haley
 D682,097 S 5/2013 Chiorazzi
 D686,496 S 7/2013 Struli
 D724,431 S 3/2015 De Los Rios
 D750,490 S 3/2016 Moore
 D751,394 S * 3/2016 Chartier D9/440
 D754,537 S 4/2016 Prozumenshchikov
 D757,547 S * 5/2016 Biswas D9/454
 D763,079 S * 8/2016 Sturk D9/447
 D769,713 S 10/2016 Moore
 D776,533 S 1/2017 Kikel
 D788,886 S 6/2017 Salzer
 D795,064 S 8/2017 Moore
 D813,668 S 3/2018 Miller
 D820,085 S * 6/2018 Moore D9/449
 D823,115 S * 7/2018 Walker D9/447
 D825,332 S 8/2018 Miksovsky
 D840,225 S 2/2019 Kanenari
 D845,126 S 4/2019 Prozumenshchikov
 D846,390 S 4/2019 Brelje
 D851,983 S * 6/2019 Vazin D7/391

D854,927 S 7/2019 Biesecker Longacre
 D867,133 S 11/2019 Johnson
 D872,575 S 1/2020 Tebbs
 D873,661 S 1/2020 DeRuntz
 D876,186 S * 2/2020 Marantis D7/700
 D877,558 S * 3/2020 Dorfmuehler D7/391
 D892,614 S 8/2020 Boeijen
 D896,572 S 9/2020 Nichols
 D907,430 S * 1/2021 Pentelovitch D7/391
 D912,461 S * 3/2021 Mendez D7/392.1
 D912,462 S 3/2021 Waggoner
 D912,511 S 3/2021 Berry
 D915,820 S * 4/2021 Ni D7/392.1
 D915,883 S 4/2021 Lundh
 D939,270 S 12/2021 Zheng
 D941,145 S 1/2022 Wang
 D941,147 S 1/2022 Wang
 D947,025 S 3/2022 Diaz
 D947,027 S 3/2022 Marik
 D949,014 S 4/2022 Fengke
 2010/0193516 A1 * 8/2010 LaBean B65D 47/2031
 220/229
 2010/0206836 A1 8/2010 Koshidaka
 2012/0265163 A1 * 10/2012 Cheng A61J 1/2096
 604/415
 2016/0023884 A1 * 1/2016 Sokol B65D 47/08
 222/545
 2016/0137474 A1 * 5/2016 Marantis A61J 1/1406
 141/331
 2016/0338912 A1 * 11/2016 Oberlin A61J 1/2096

OTHER PUBLICATIONS

The Jug Plug: Announced (Oct. 21, 2021; online). Site Vistied (Dec. 17, 2022). Available from URL: <https://www.amazon.com/Jug-Plug-Reusable-Replacement-Silicone/dp/B09KDZFG17>.
 The Jug Plug: Site Visited (Dec. 17, 2022). Available from URL: <https://www.jugplug.com/products/the-jug-plug-2-for-top-loading-water-dispensers>.
 Opolski Water Bottle Jug Cap: Site Visited (Dec. 17, 2022). Available from URL: <https://www.walmart.com/ip/Opolski-5Pcs-Plastic-Water-Bottle-Cap-Reusable-Water-Jug-Cap-Thicken-Thread-Pure-Water-Bucket-Lid-Anti-Splash-Dispenser-Cap-for-Screw-Top-Bottles/396574614>.
 "5 Gallon Water Juge Reusable Cap—non-Spill . . ." Amazon.com product listing, downloaded from the Internet at "https://www.amazon.com/Gallon-Water-Jug-Reusable-Cap/dp/B09W2FP5X6" on May 28, 2022.

* cited by examiner

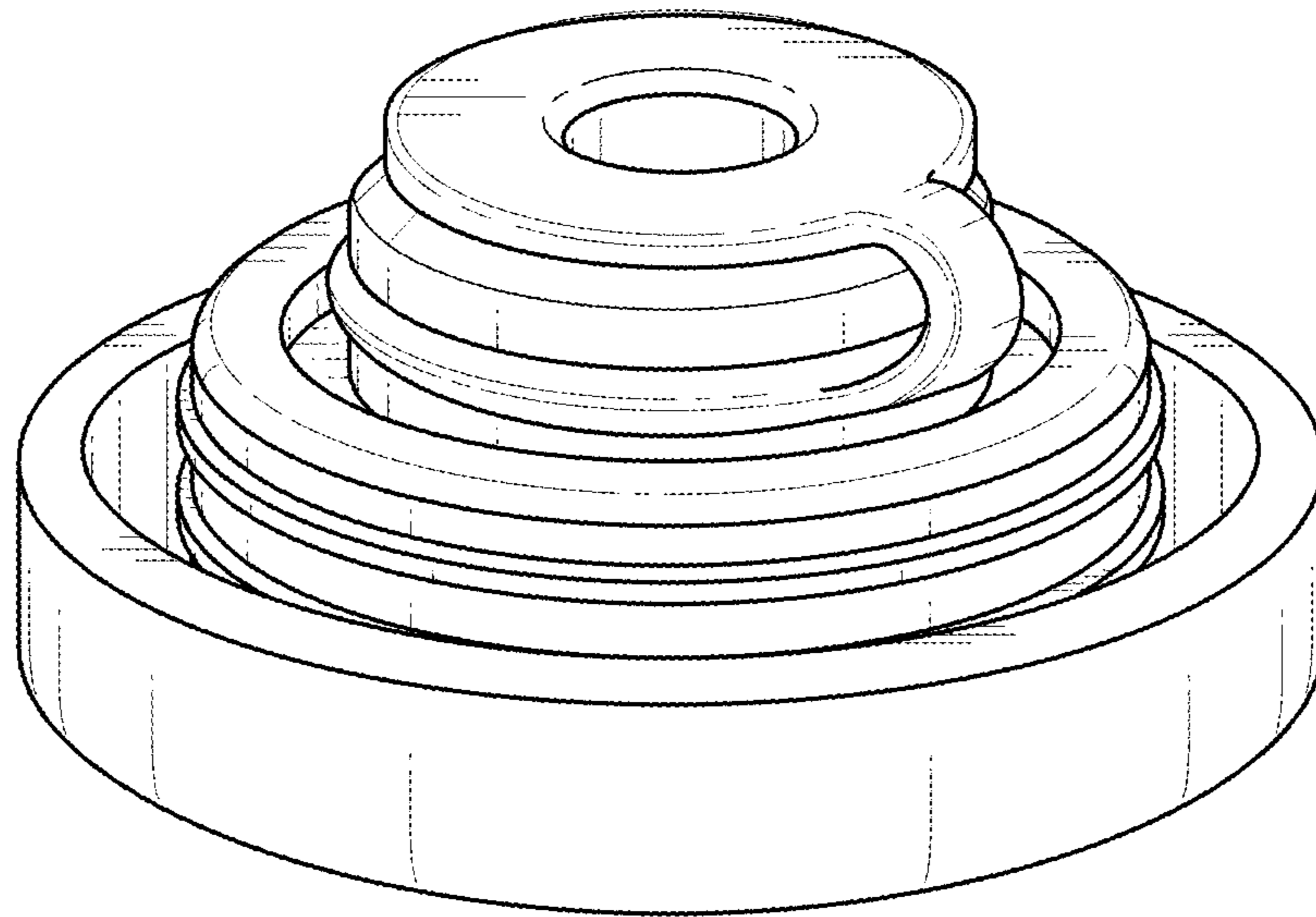


FIG. 1

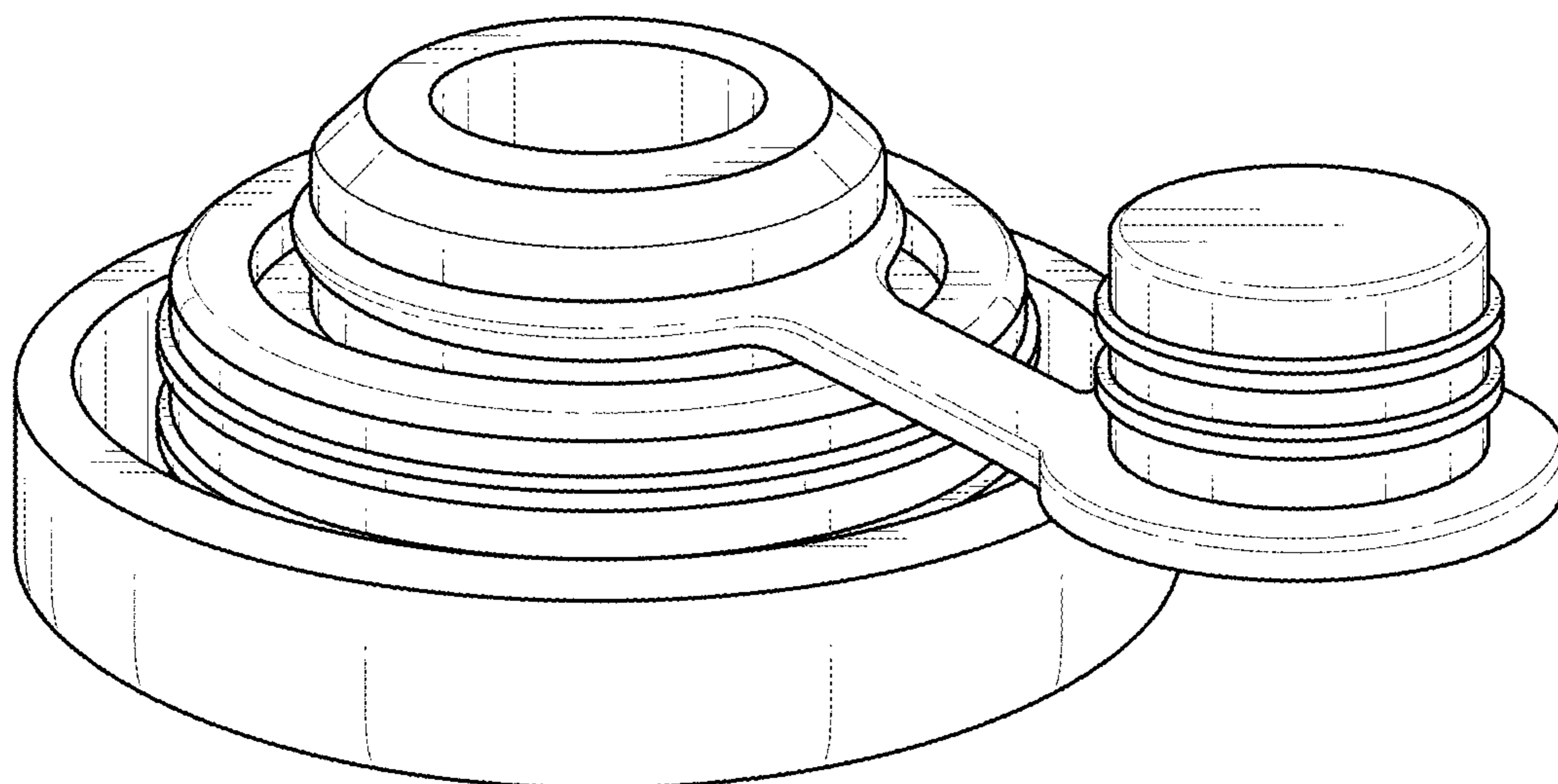


FIG. 2

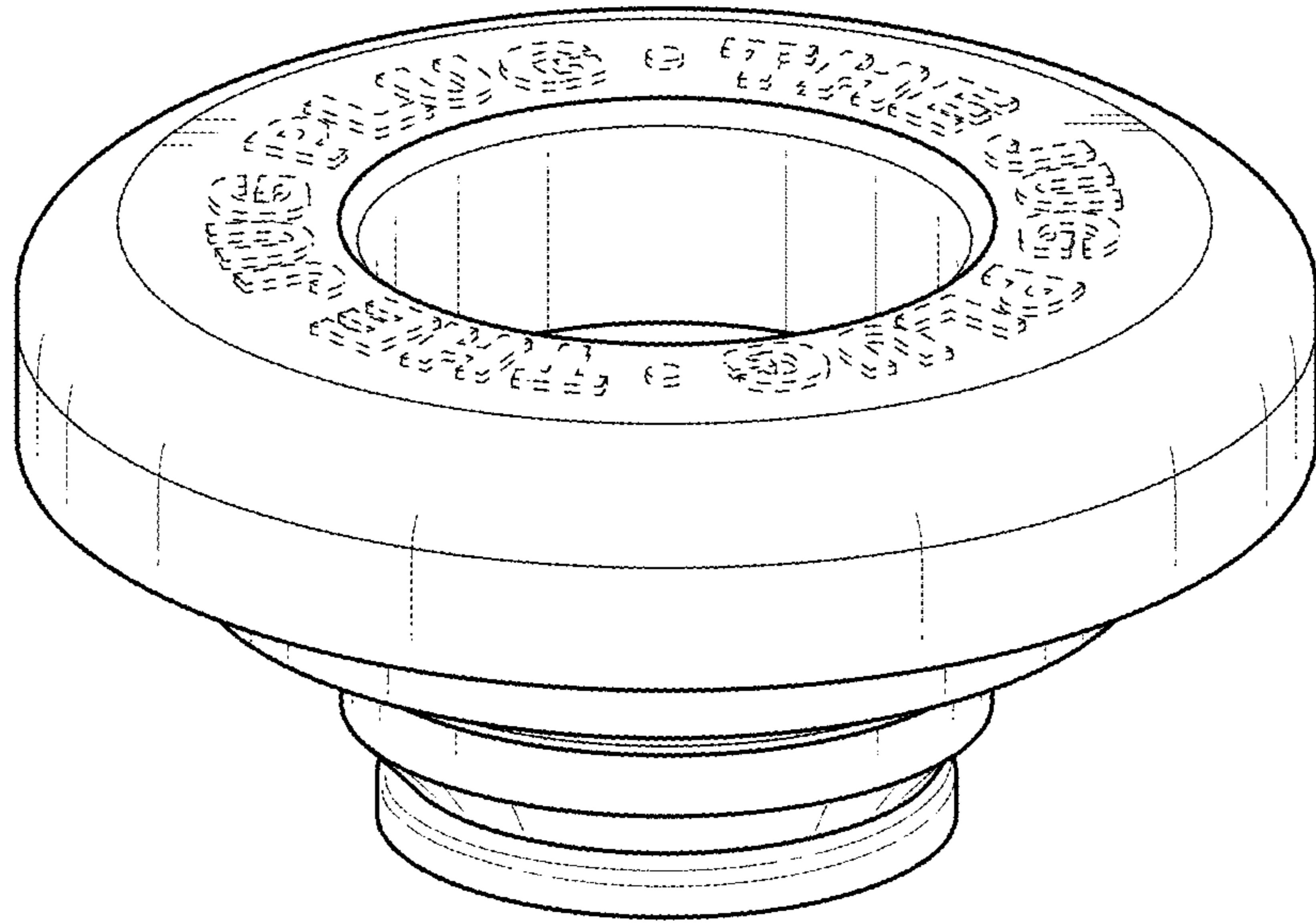


FIG. 3

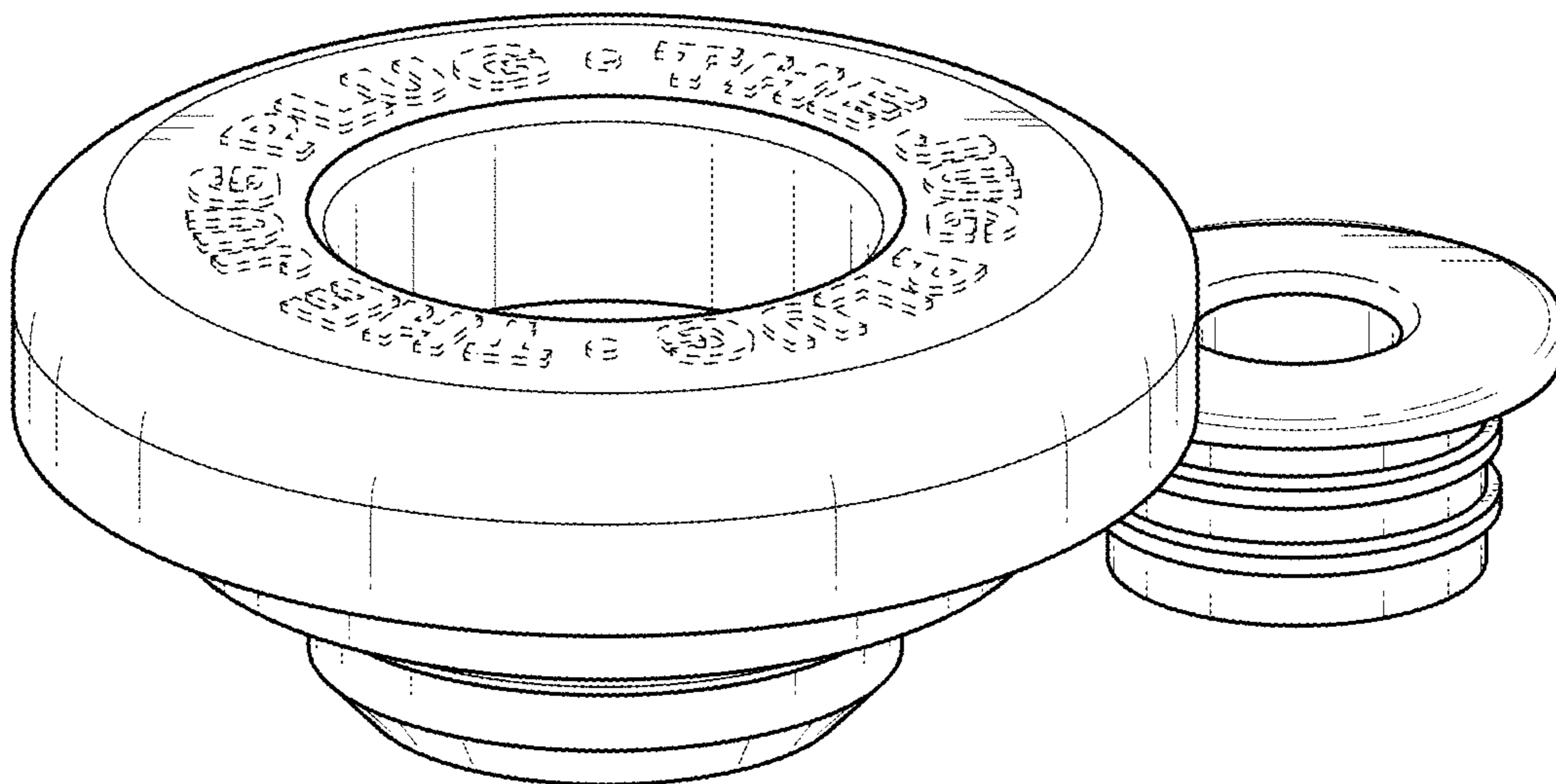


FIG. 4

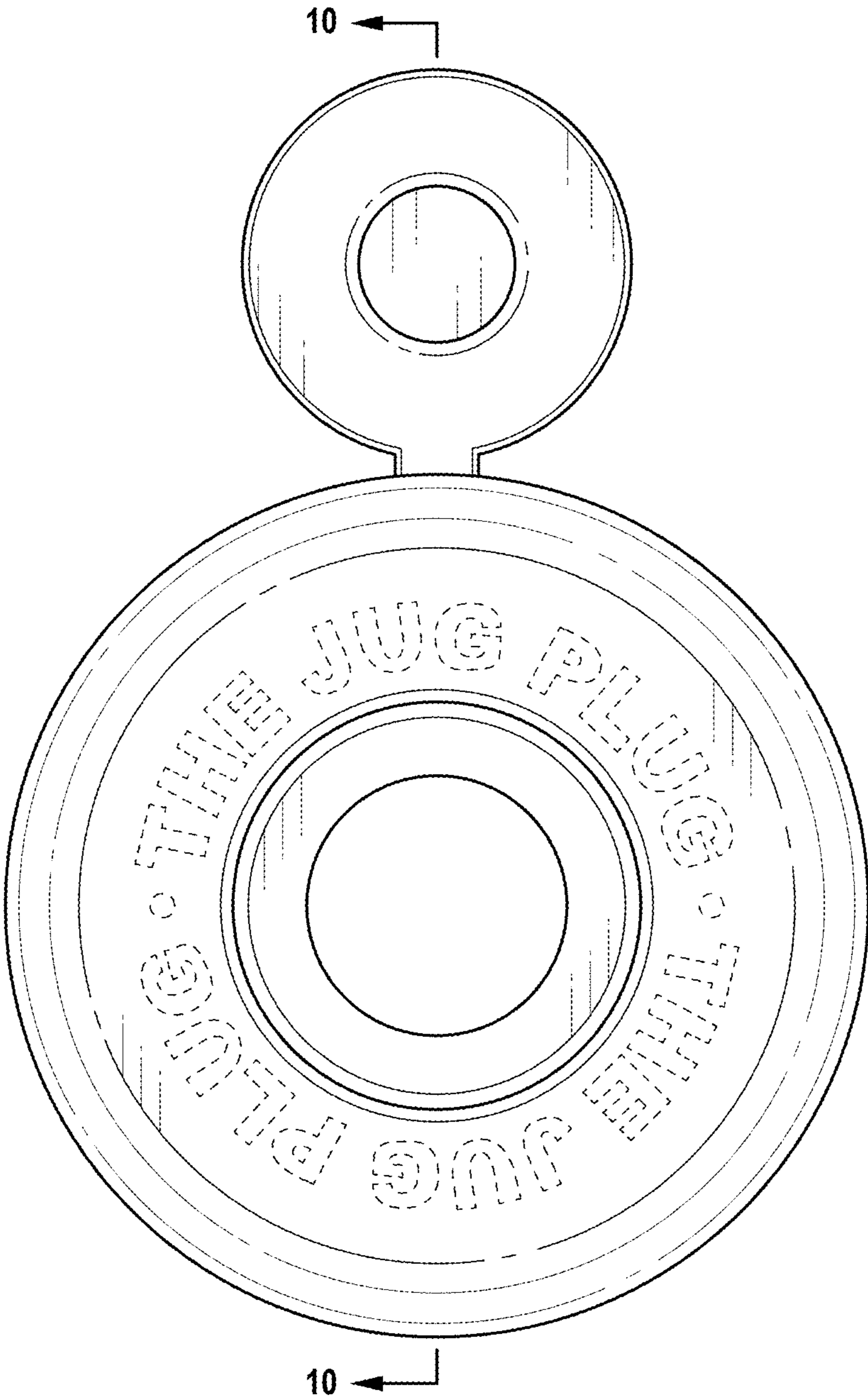


FIG. 5

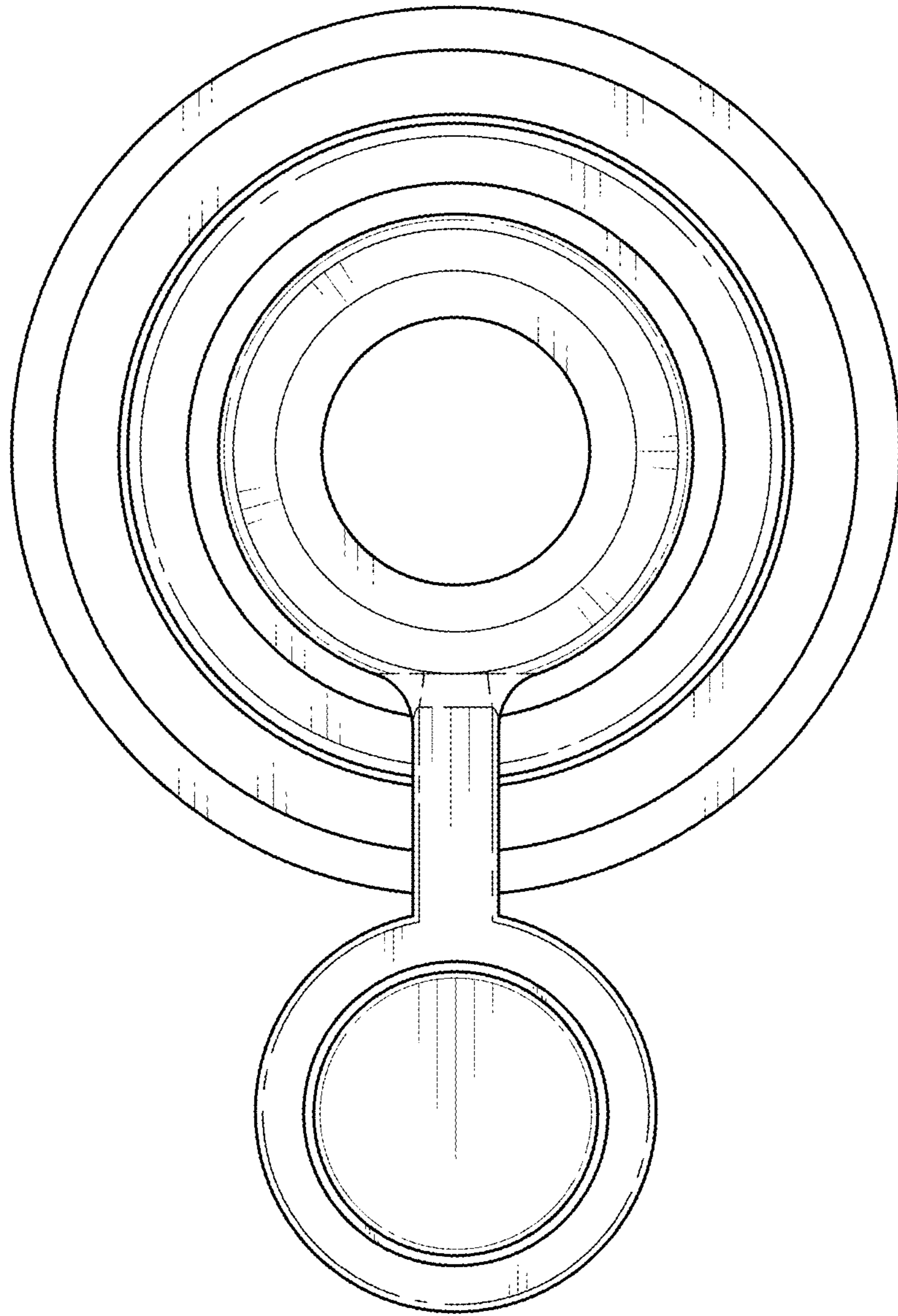


FIG. 6

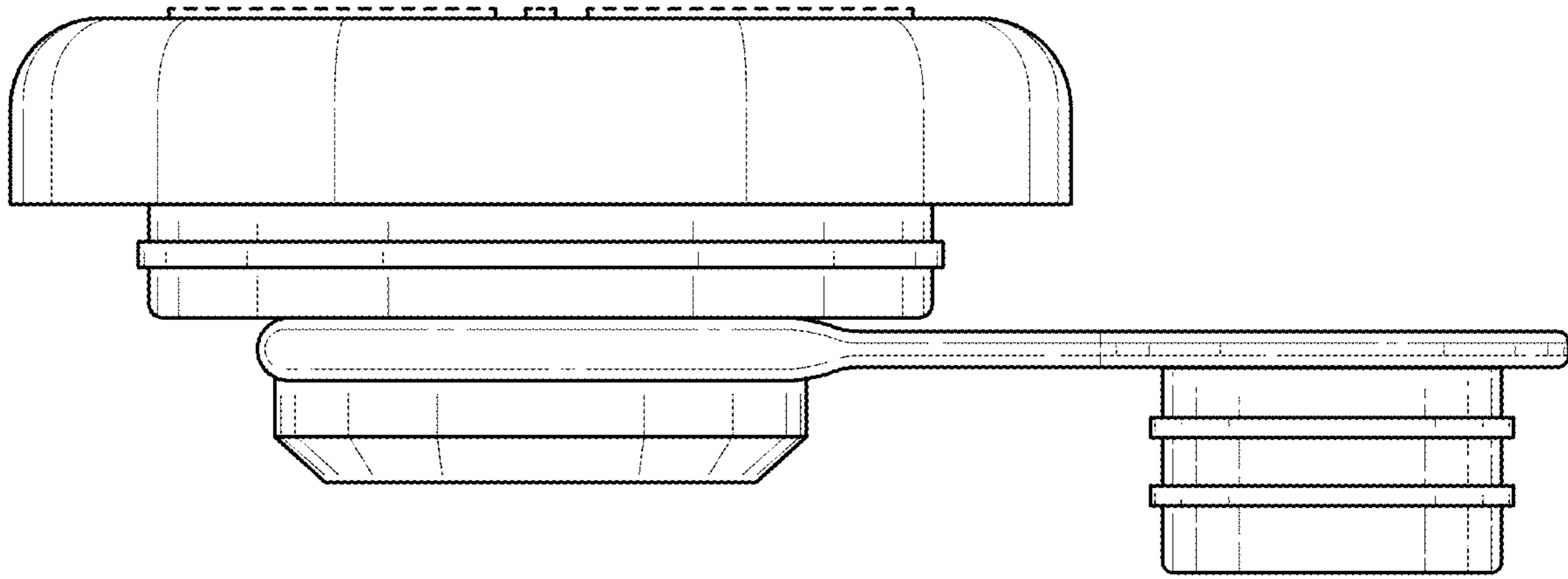


FIG. 7

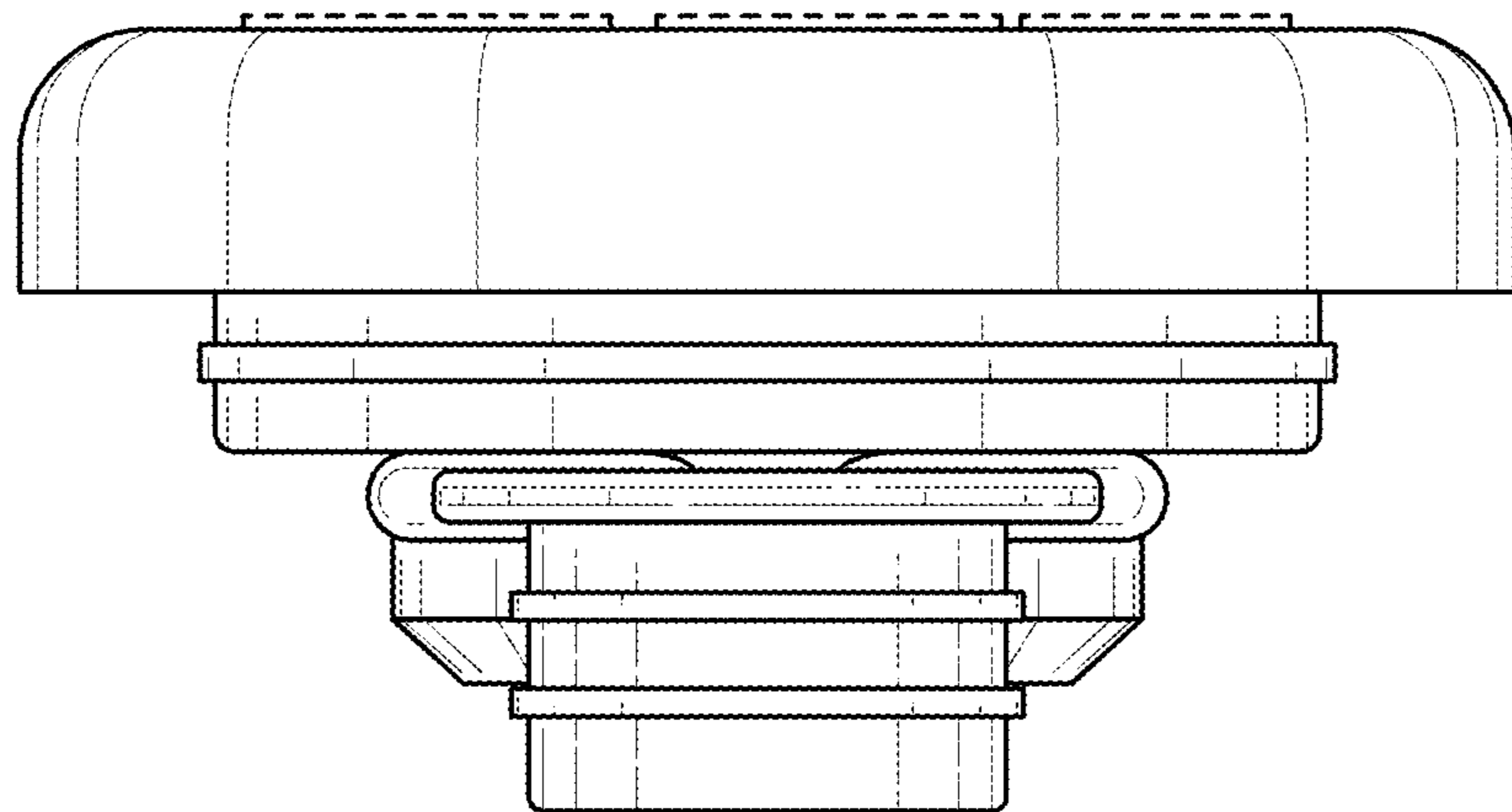


FIG. 8

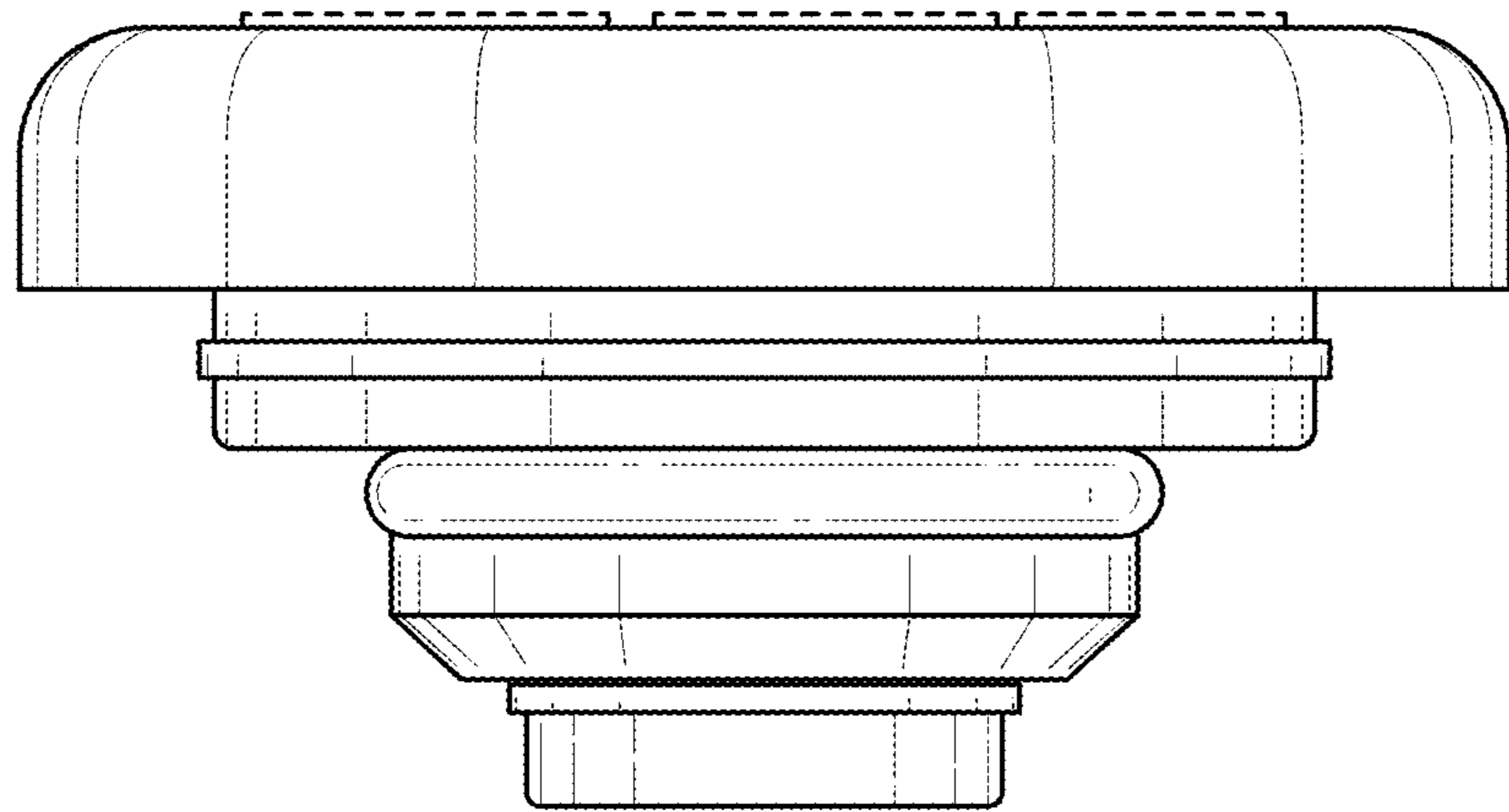


FIG. 9

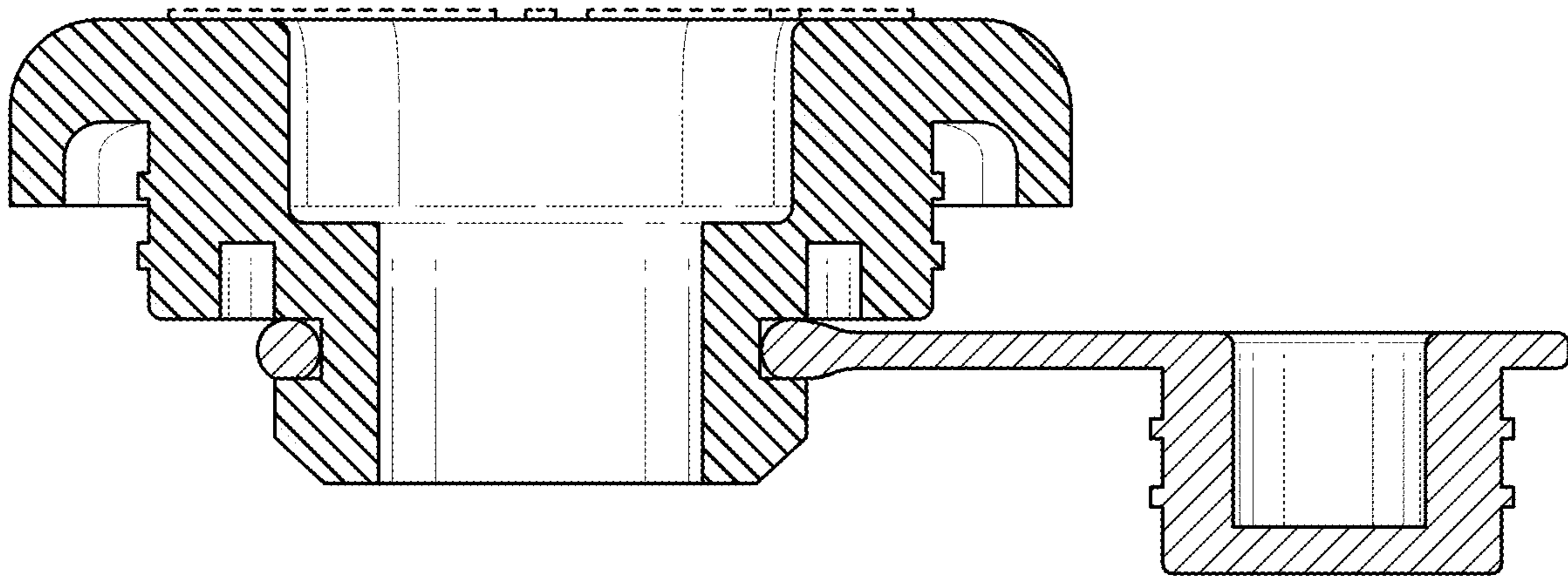


FIG. 10