



US00D979402S

(12) **United States Design Patent**
Smith et al.

(10) **Patent No.:** **US D979,402 S**
(45) **Date of Patent:** **** Feb. 28, 2023**

(54) **LID FOR CONTAINER**

- (71) Applicant: **All Plastic, Inc.**, Rancho Cordova, CA (US)
- (72) Inventors: **William Thomas Smith**, Fair Oaks, CA (US); **Cheryl Ann Smith**, Fair Oaks, CA (US)
- (73) Assignee: **ALL PLASTIC, INC.**, Rancho Cordova, CA (US)
- (**) Term: **15 Years**
- (21) Appl. No.: **29/803,200**
- (22) Filed: **Aug. 11, 2021**

Related U.S. Application Data

- (62) Division of application No. 29/669,654, filed on Nov. 9, 2018, now Pat. No. Des. 930,471.
- (51) **LOC (14) Cl.** **09-07**
- (52) **U.S. Cl.**
USPC **D9/436**
- (58) **Field of Classification Search**
USPC D3/200, 201, 203.1, 203.2, 203.4;
D6/677; D7/300, 300.2, 387, 391, 392,
(Continued)

(56) **References Cited**

U.S. PATENT DOCUMENTS

386,604 A 7/1888 Place
D128,936 S 8/1941 Foley
(Continued)

FOREIGN PATENT DOCUMENTS

EP 0990408 B1 4/2000
EP 1779885 * 5/2007
KR 101215203 B1 9/2012

OTHER PUBLICATIONS

Magazine Ad for Bud Bar Displays™. 3rd Annual Marijuana Business Conference & Expo, Las Vegas, NV, Nov. 1, 2014. 3 pages.

(Continued)

Primary Examiner — Catherine S Posthauer

(74) *Attorney, Agent, or Firm* — Ballard Spahr LLP

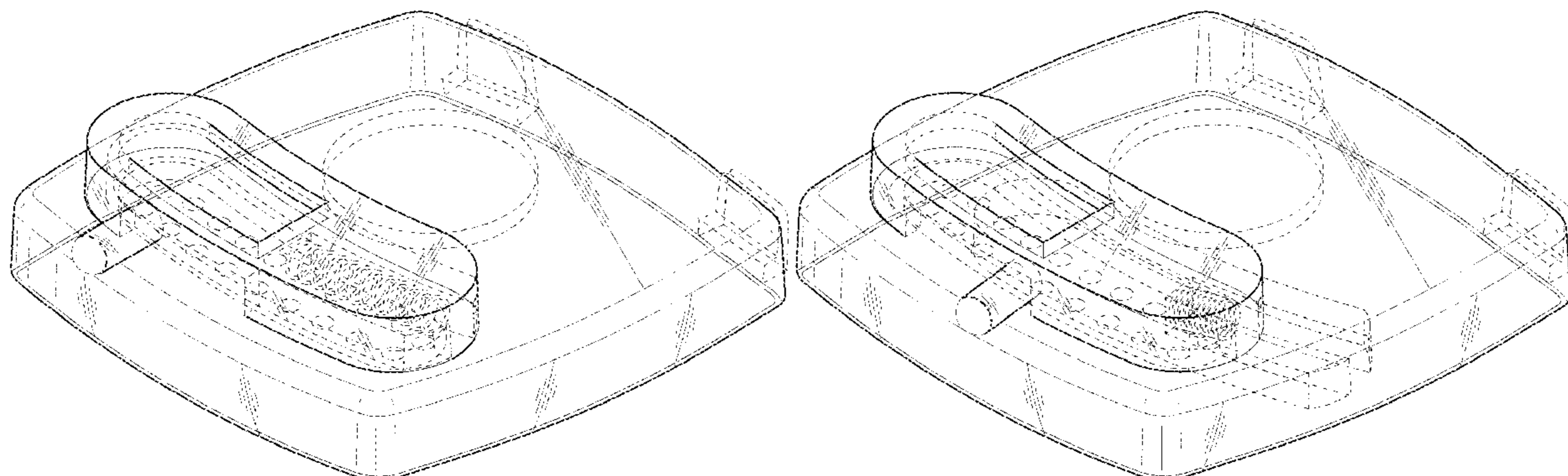
(57) **CLAIM**

We claim the ornamental design for a lid for container, as shown and described.

DESCRIPTION

FIG. 1 is a perspective view of a lid for container, showing our new design in a first configuration;
 FIG. 2 is a front view thereof;
 FIG. 3 is a left side view thereof;
 FIG. 4 is a rear view thereof;
 FIG. 5 is a right side view thereof;
 FIG. 6 is a top plan view thereof;
 FIG. 7 is a bottom plan view thereof;
 FIG. 8 is another perspective view thereof, shown in a position of use with an exemplary container;
 FIG. 9 is a perspective view thereof, shown in a second configuration;
 FIG. 10 is a front view thereof;
 FIG. 11 is a left side view thereof;
 FIG. 12 is a rear view thereof;
 FIG. 13 is a right side view thereof;
 FIG. 14 is a top plan view thereof;
 FIG. 15 is a bottom plan view thereof; and,
 FIG. 16 is another perspective view thereof, shown in a position of use with an exemplary container.
 The broken lines are shown for the purpose of illustrating both parts of the lid for container as well as environmental subject matter of an exemplary container. None of the broken lines form part of the claim.

1 Claim, 12 Drawing Sheets



(58) **Field of Classification Search**

USPC D7/302.1, 396.1, 396.2, 397, 398, 509,
 D7/510, 511, 601, 602, 619.1, 900;
 D9/686, 690, 434, 435, 439, 446, 447,
 D9/452, 454, 414, 418, 422, 423, 424,
 D9/428, 431, 436, 503, 504, 549, 721;
 D24/121, 127, 193, 194, 196, 197, 199,
 D24/216, 224; D27/100, 172, 175, 183,
 D27/186
 CPC B65D 25/54; B65D 25/106; B65D 25/22;
 B65D 25/24; B65D 39/0005; B65D
 43/06; B65D 51/24; B65D 51/245; B65D
 2201/00; A47F 3/145; A45D 34/02
 See application file for complete search history.

D749,381 S 2/2016 Magri
 9,334,086 B2 5/2016 Bean
 D765,389 S 9/2016 Martin
 D769,079 S 10/2016 Kotani
 D775,959 S 1/2017 Owen
 D778,718 S 2/2017 Smith et al.
 9,630,747 B2 4/2017 Smith et al.
 D794,944 S 8/2017 Martin
 9,801,488 B2 10/2017 Affatato
 D806,543 S 1/2018 Finkbohner et al.
 D812,939 S 3/2018 Modlin
 D814,831 S 4/2018 Modlin
 9,981,790 B1 5/2018 Ost
 D821,738 S 7/2018 Small
 D830,779 S 10/2018 Li et al.
 D842,494 S 3/2019 Lee
 D849,526 S 5/2019 Sanders et al.
 D855,449 S 8/2019 Smith et al.

(56) **References Cited**

U.S. PATENT DOCUMENTS

2,724,213 A 11/1955 Weil
 D181,321 S 10/1957 Stowell
 2,807,901 A 10/1957 Gilowitz
 3,247,995 A 4/1966 Jensen
 3,451,328 A 6/1969 Swett
 3,656,840 A 4/1972 Smith et al.
 4,106,660 A 8/1978 Boyle
 D255,546 S 6/1980 Zaidmann et al.
 4,230,231 A 10/1980 Burnett et al.
 4,284,200 A 8/1981 Bush et al.
 D272,595 S 2/1984 Chase et al.
 D292,887 S 11/1987 Schouten
 D303,428 S 9/1989 Wada
 4,979,332 A 12/1990 Nagaya et al.
 D322,323 S 12/1991 Moir
 D340,187 S 10/1993 Forsyth
 5,321,908 A 6/1994 Ushimaru
 5,363,801 A 11/1994 Watters et al.
 5,850,913 A 12/1998 Fantone
 5,927,007 A 7/1999 Oda et al.
 6,013,524 A 1/2000 Friars et al.
 D455,552 S 4/2002 Charness
 6,571,972 B1 6/2003 Bouc et al.
 D476,572 S 7/2003 Merritt
 D480,307 S 10/2003 Canamasas Puigbo
 6,672,457 B2 1/2004 Aylesworth
 6,761,287 B2 7/2004 Caruso
 D493,721 S 8/2004 Puigbo
 D493,722 S 8/2004 Cooper
 D513,979 S 1/2006 Snedden et al.
 D517,405 S 3/2006 Snedden et al.
 D518,728 S 4/2006 Frantz
 D523,752 S 6/2006 Bried
 7,185,827 B2 3/2007 Quintard et al.
 D547,177 S 7/2007 Sherman et al.
 D588,450 S 3/2009 Snedden et al.
 D590,706 S 4/2009 Doliwa et al.
 D591,148 S 4/2009 Parikh et al.
 D600,111 S 9/2009 Gerulski et al.
 D607,340 S 1/2010 Klis
 7,743,934 B2 6/2010 Martin
 D621,603 S 8/2010 Traylor
 D630,949 S 1/2011 Lim
 D646,969 S 10/2011 Snedden et al.
 D647,530 S 10/2011 Busch
 8,079,478 B2 12/2011 Short et al.
 D655,604 S 3/2012 Molina et al.
 D671,831 S 12/2012 Moreau
 D685,227 S 7/2013 Boonprasop
 8,528,775 B2 9/2013 Martin
 8,544,208 B2 10/2013 Huang
 D696,948 S 1/2014 Kim
 D702,547 S 4/2014 Akana
 D703,055 S 4/2014 Park
 8,899,443 B2 12/2014 Soibel
 8,925,725 B1 1/2015 Burnett
 D731,891 S 6/2015 Servaire

10,384,834 B2* 8/2019 Smith B65D 51/1683
 D859,894 S 9/2019 Smith
 D861,475 S 10/2019 Giwani
 D862,226 S 10/2019 Horn
 D863,053 S 10/2019 Smith et al.
 D866,334 S 11/2019 Wieland
 D876,945 S 3/2020 Smith et al.
 D877,930 S 3/2020 Santamarta
 D878,120 S 3/2020 Smith
 D878,826 S 3/2020 Smith
 D887,843 S* 6/2020 Smith D9/504
 D891,253 S* 7/2020 Smith D9/504
 D899,920 S* 10/2020 Smith D9/418
 D902,028 S* 11/2020 Smith D9/504
 D902,718 S* 11/2020 Smith D9/504
 D904,185 S* 12/2020 Smith D9/422
 D908,484 S* 1/2021 Smith D9/504
 D914,412 S* 3/2021 Angeles D6/677
 D918,042 S* 5/2021 Smith D9/504
 D918,050 S* 5/2021 Smith D9/414
 D920,782 S* 6/2021 Smith D9/436
 D921,921 S* 6/2021 Santamarta D24/224
 D922,198 S* 6/2021 Smith D9/422
 D922,866 S* 6/2021 Kaye D23/366
 D922,870 S* 6/2021 Smith D9/454
 D923,475 S* 6/2021 Smith D9/454
 D930,471 S* 9/2021 Smith D9/436
 D945,877 S* 3/2022 Smith A47F 7/286
 D9/418

2003/0234208 A1 12/2003 Huang
 2005/0092751 A1 5/2005 Alvares et al.
 2007/0051826 A1 3/2007 Schofield
 2009/0057326 A1 3/2009 Opitz
 2009/0261100 A1 10/2009 McMinn
 2010/0300370 A1 12/2010 Hundt
 2013/0313217 A1 11/2013 Yamamoto et al.
 2016/0031605 A1 2/2016 Bean et al.
 2016/0318672 A1 11/2016 Smith et al.
 2017/0190482 A1 7/2017 Smith et al.
 2017/0275075 A1 9/2017 Bamonte et al.
 2018/0362215 A1 12/2018 Whetsel et al.
 2019/0009967 A1 1/2019 Lung
 2019/0152648 A1 5/2019 Parve et al.
 2020/0113353 A1 4/2020 Bigioni
 2020/0130901 A1 4/2020 Kern
 2022/0089326 A1* 3/2022 Smith B65D 51/24

OTHER PUBLICATIONS

Magazine Ad for Bud Bar Displays™. CANNA CON, Denver, Colorado, Jun. 1, 2015. 3 pages.
 Magazine Ad showing Bud Bar Displays™. Dope Magazine, Issue #7, Dec. 1, 2015. 2 pages.
 Magazine Ad for Bud Bar Displays™. MG-Magazine.com, Feb. 1, 2016. 2 pages.
 Magazine Ad for Bud Bar Displays™. Marijuana Business Magazine, vol. 2, Issue 4, Jul. 1, 2015. 2 pages.
 Magazine Ad for Bud Bar Displays™. Marijuana Venture Magazine, Jun. 1, 2017. 3 pages.

(56)

References Cited

OTHER PUBLICATIONS

Magazine Ad for Bud Bar Displays™. Marijuana Venture Magazine, Nov. 1, 2017. 3 pages.

Magazine Ad for Bud Bar Display™. Marijuana Venture Magazine, vol. 1, Issue 7, Sep. 1, 2014. 3 pages.

Magazine Ad for Bud Bar Displays™. The News Tribune, Aug. 15, 2014. 2 pages.

Pictures of Bud Bar Displays™ booth at the KushCon Convention, which features the Epods. Denver, Colorado, Dec. 1, 2010. 3 pages.

Website photo. cannabisaroma cannapod. www.budbardisplays.com. Published Jan. 23, 2016.

Website photo. Bud-Pod. www.budbardisplays.com. Published Jan. 1, 2016.

Website photo. BadBar. www.budbardisplays.com. Published Jan. 23, 2016.

Website photo. Aroma epod. www.budbardisplays.com. Published Jan. 23, 2016.

Website photo. Highlight display. www.budbardisplays.com. Published Jan. 23, 2016.

Website photo. 3 Tier Lighted Display. www.budbardisplays.com. Published Jul. 9, 2017.

Website photo. Bud bar cabinet. www.budbardisplays.com. Published Jul. 9, 2017.

Website photo. Budtender1. www.budbardisplays.com. Published Jul. 9, 2017.

Website photo. Canna pod. www.budbardisplays.com. Published Jul. 9, 2017.

Website photo. Eco Pod Cabinet. www.budbardisplays.com. Published Jul. 9, 2017.

Website photo. Bud Pod. www.budbardisplays.com. Published Jul. 9, 2017.

Website photo. e-Pod. www.budbardisplays.com. Published Jul. 9, 2017.

Website photo. Sample pod package. www.budbardisplays.com. Published Jul. 9, 2017.

Website photo. Security seals for pods. www.budbardisplays.com. Published Jul. 9, 2017.

Website photo. Tether on Bud Pod3. www.budbardisplays.com. Published Jul. 9, 2017.

Bud Pod and Bud pod security tether close up. Publication on Facebook Oct. 21, 2016. <https://www.facebook.com/BudBarDisplays/photos/a.1250515684990657/1250523611656531/?type=3&theater>.

Budtender Demo-Bud Bar Displays. Publication on youtube dated May 7, 2017—<https://www.youtube.com/watch?v=JRd6B1ZXZIk>.

Facebook post showing sample containers, Oct. 22, 2016. <https://www.facebook.com/BudBarDisplays/photos/a.1250515684990657/1251439121564980/?type=3&theater>.

Facebook post showing sample containers, Oct. 22, 2016. <https://www.facebook.com/BudBarDisplays/photos/a.1250515684990657/1251439121564980/?type=3&theater> (continued).

Bud Bars Display: Announced Sep. 4, 2018 [online]. Site Visited [May 16, 2020], Available from Internet URL: <https://www.budbardisplays.com/product/pods/sample-pods-package>*

Author Unknown; Bud Pod Seals Airtight for Freshness; Published Sep. 4, 2018; Retrieved Nov. 5, 2019 from www.budbardisplays.com/product/pods/bud-pod.

* cited by examiner

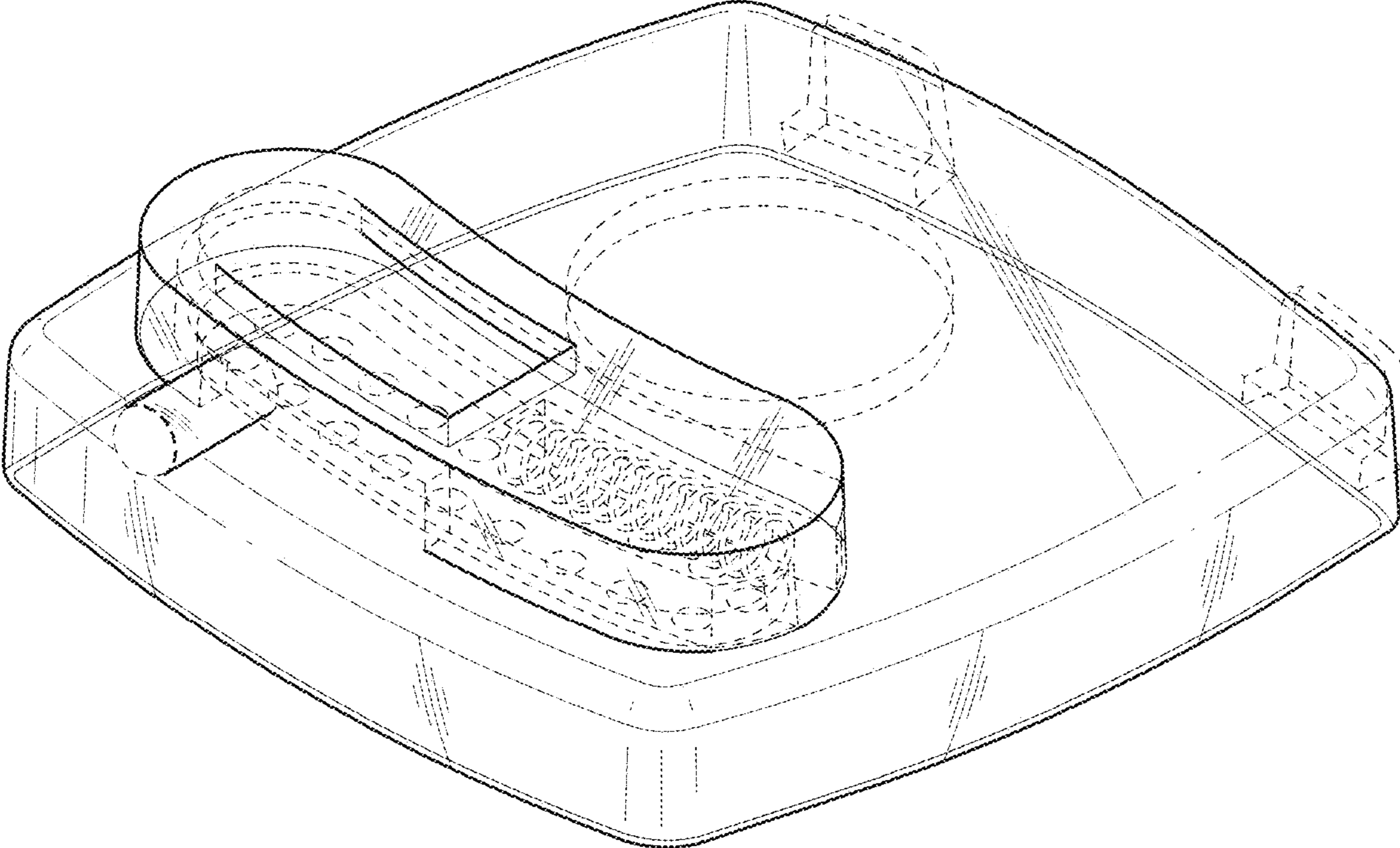


FIG.1

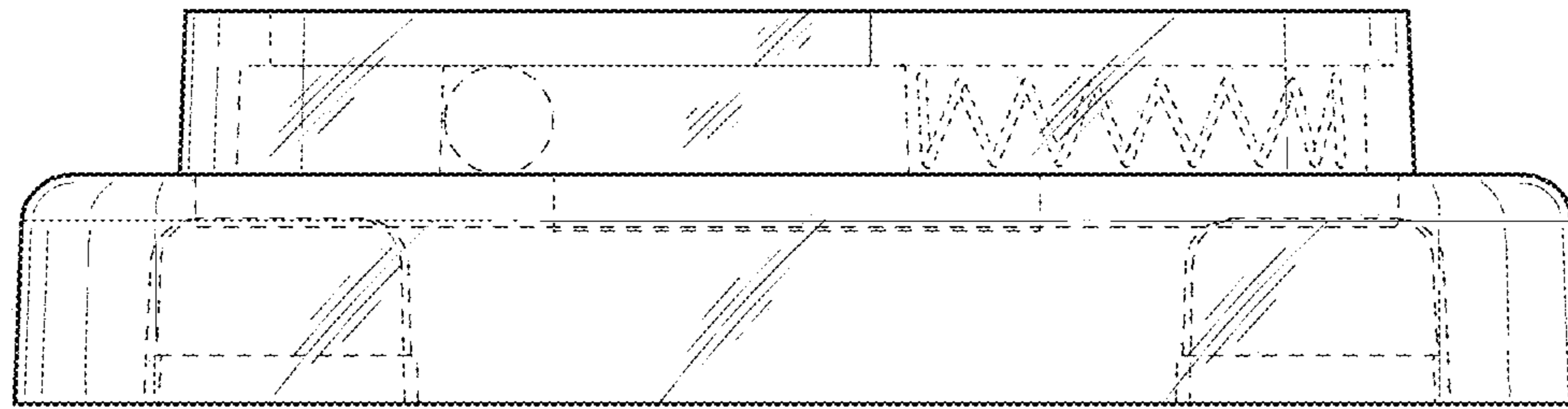


FIG. 2

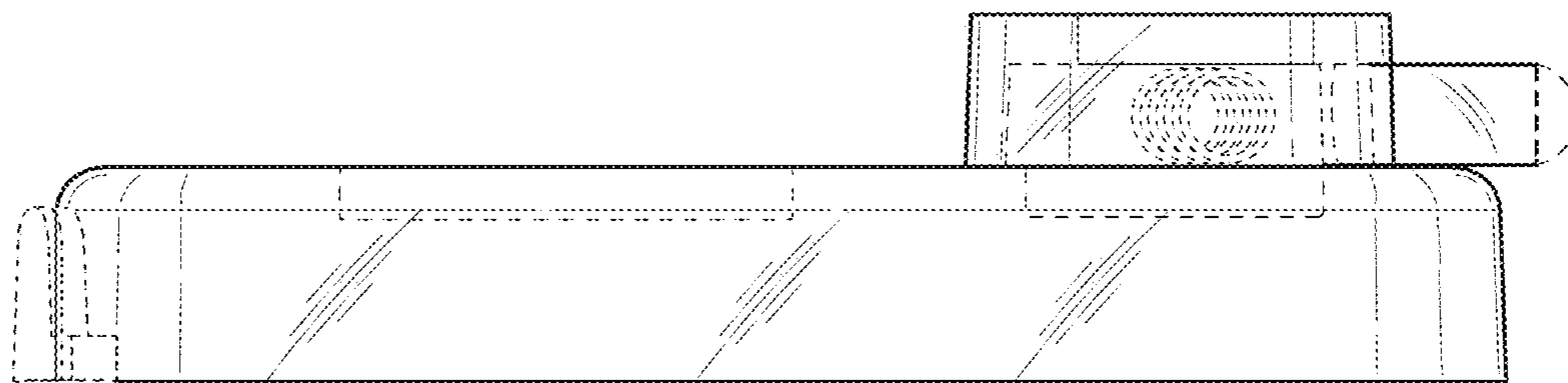


FIG. 3

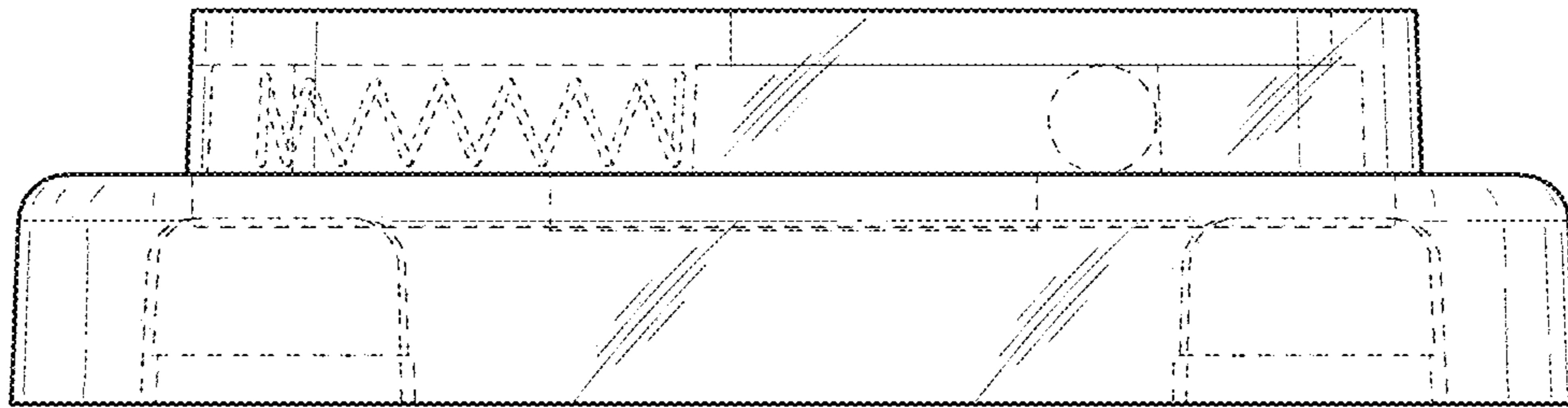


FIG. 4

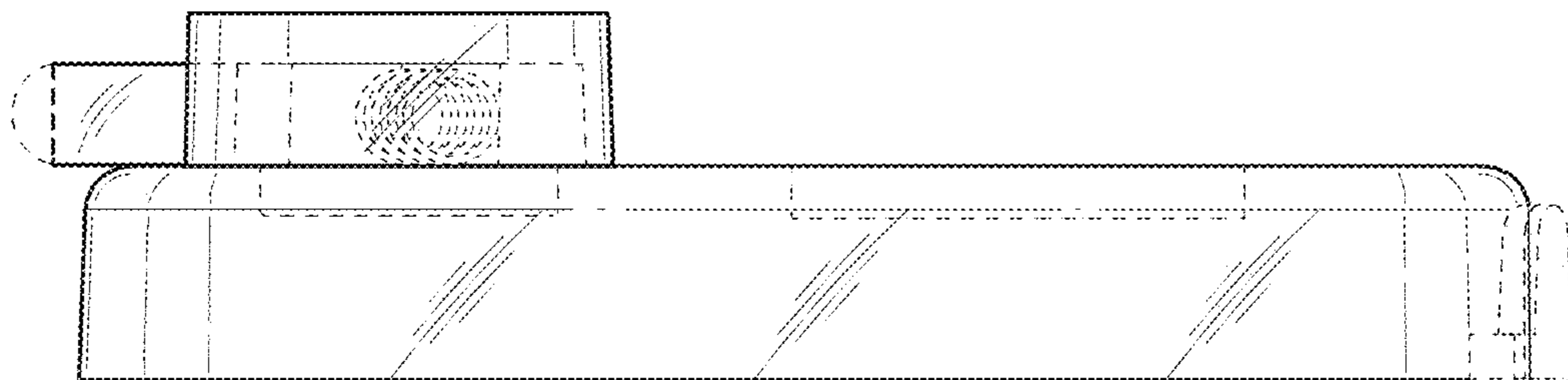


FIG. 5

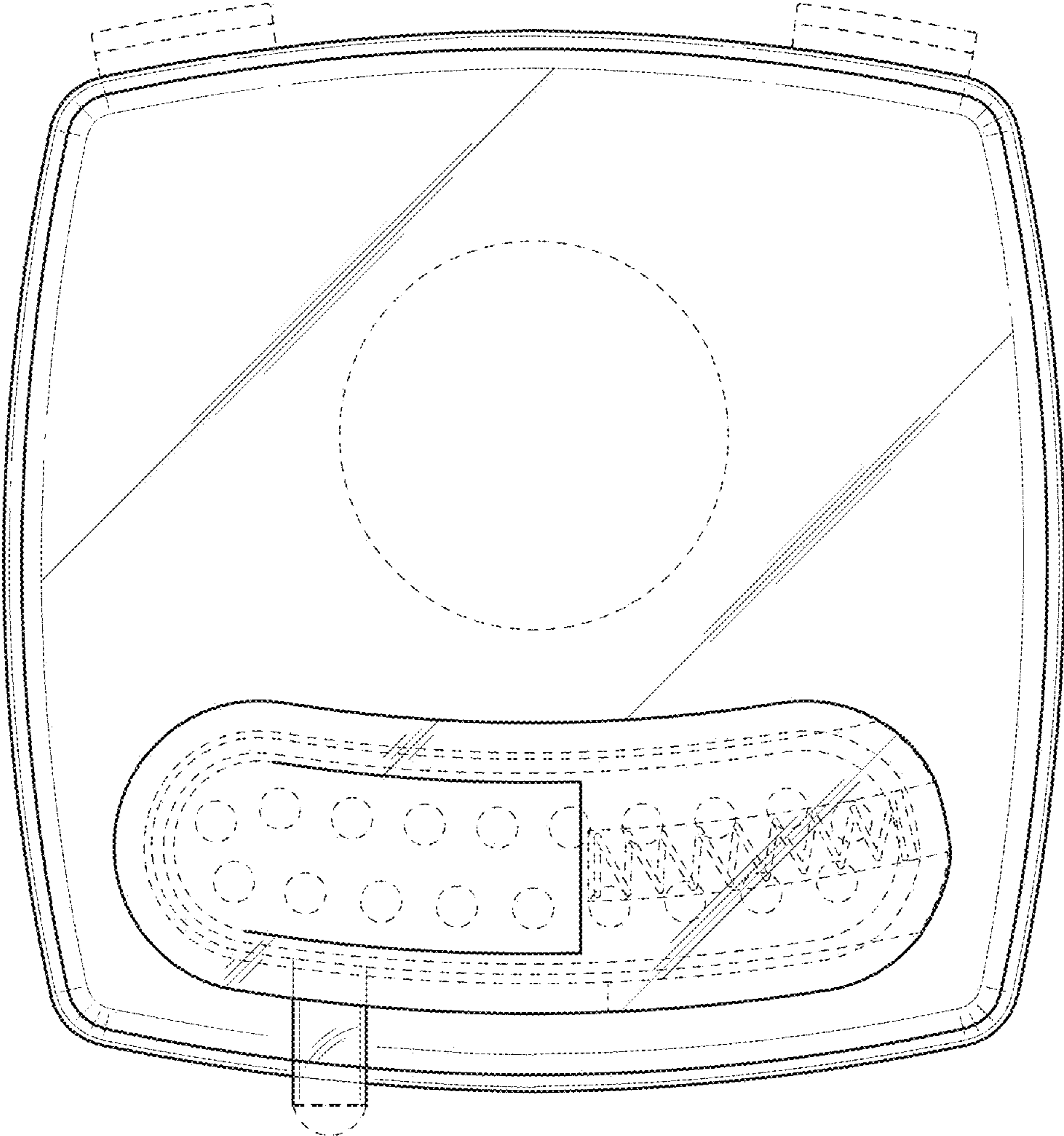


FIG.6

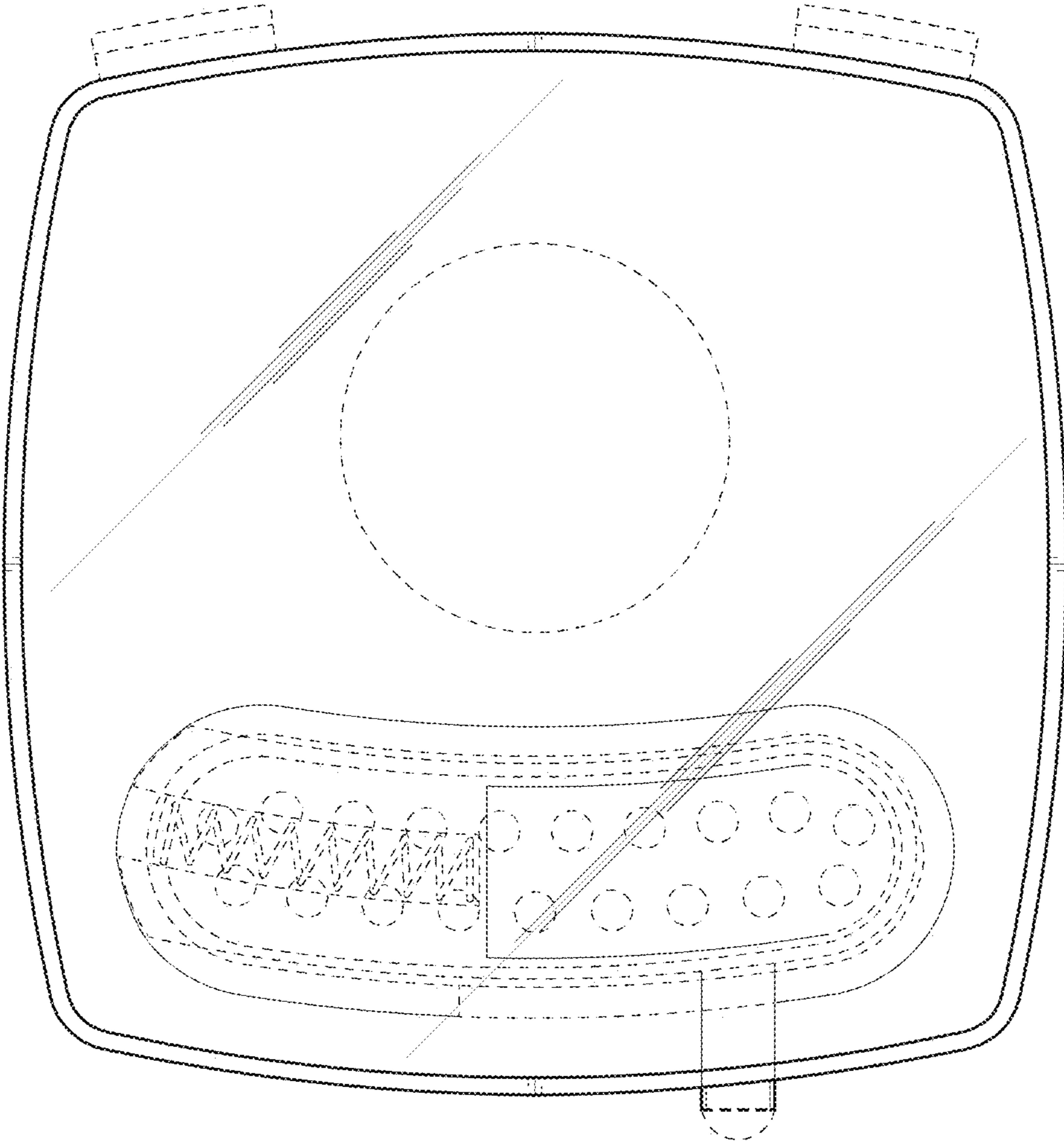


FIG.7

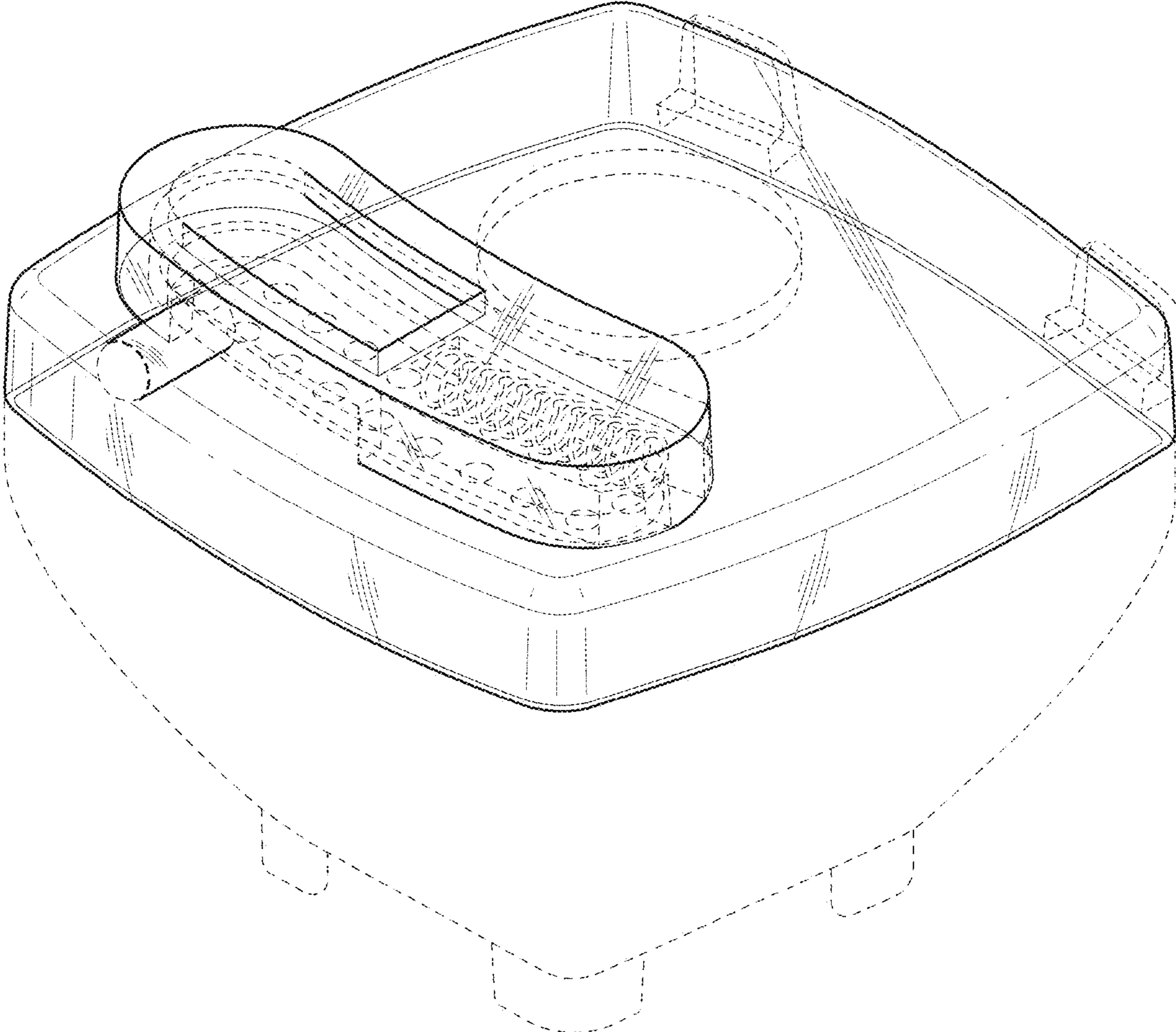


FIG.8

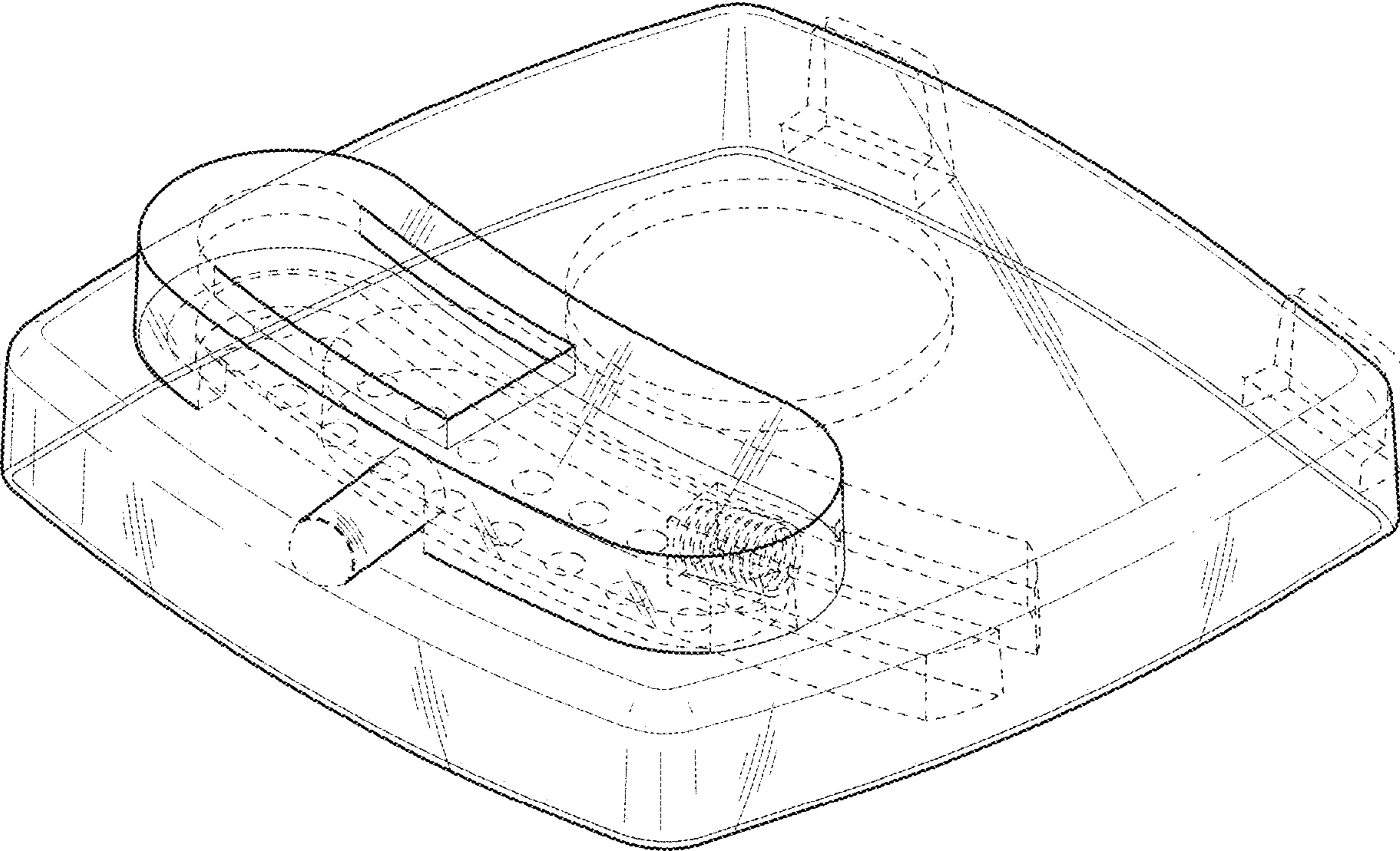


FIG.9

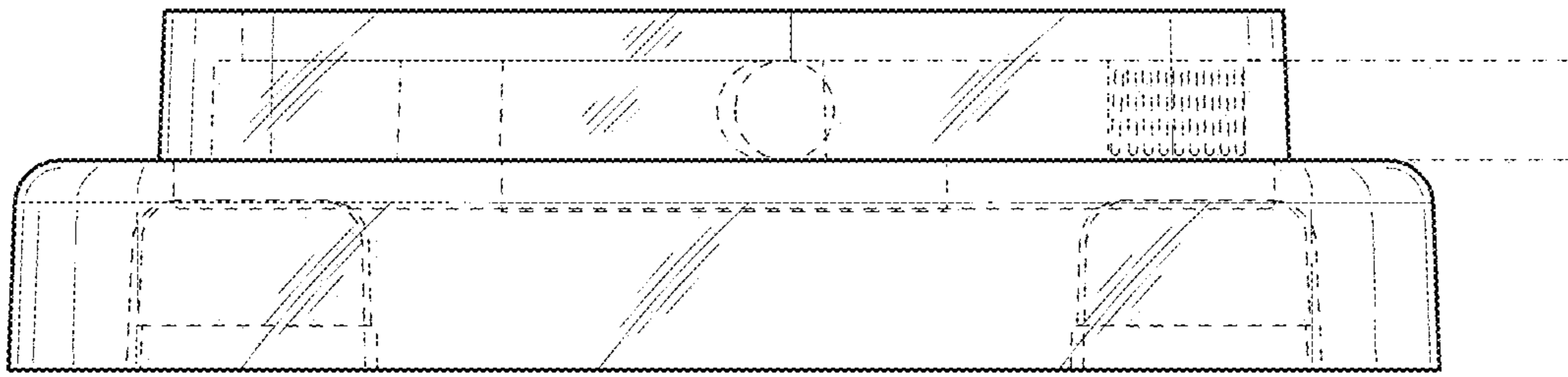


FIG.10

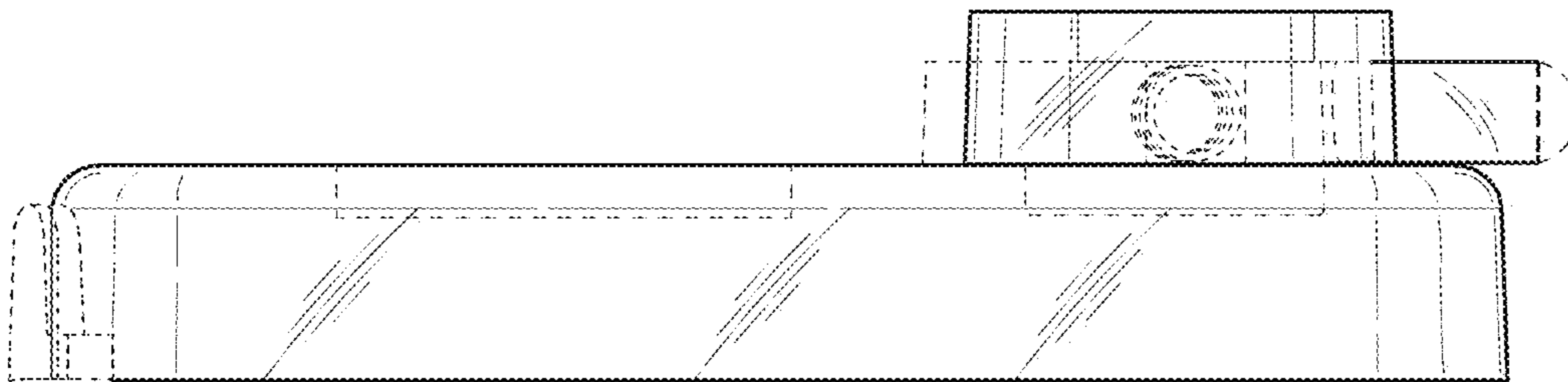


FIG.11

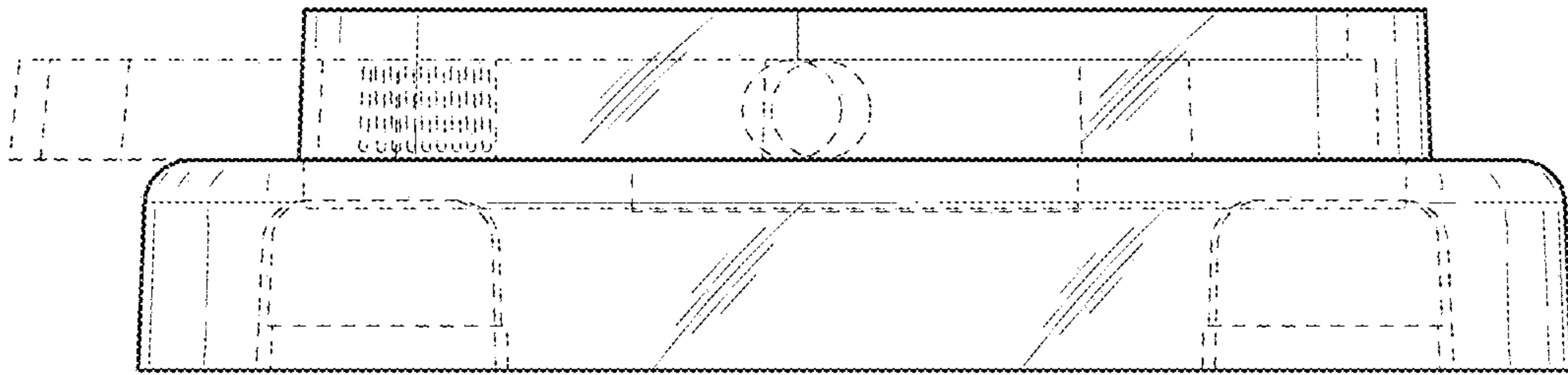


FIG. 12

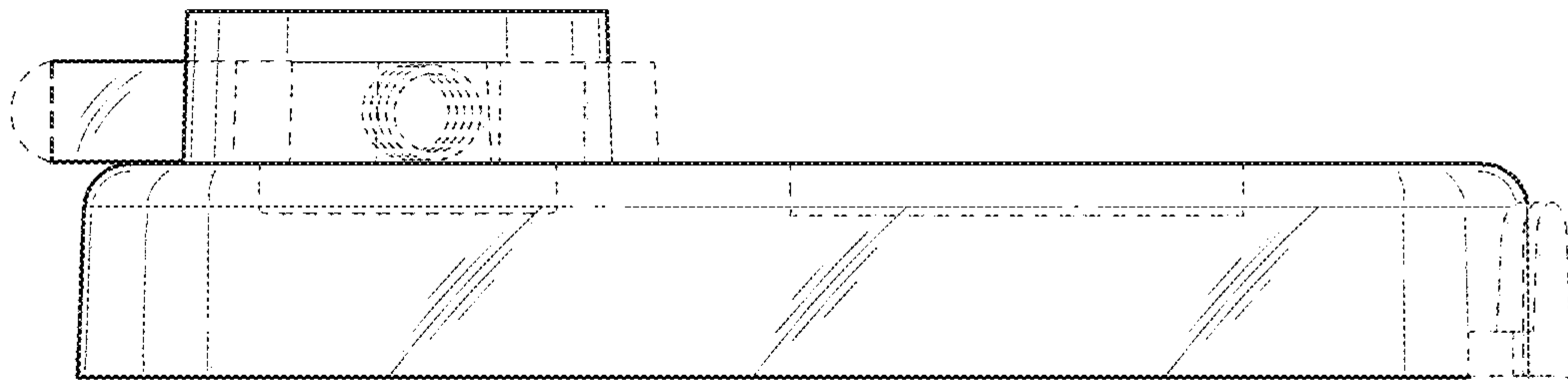


FIG. 13

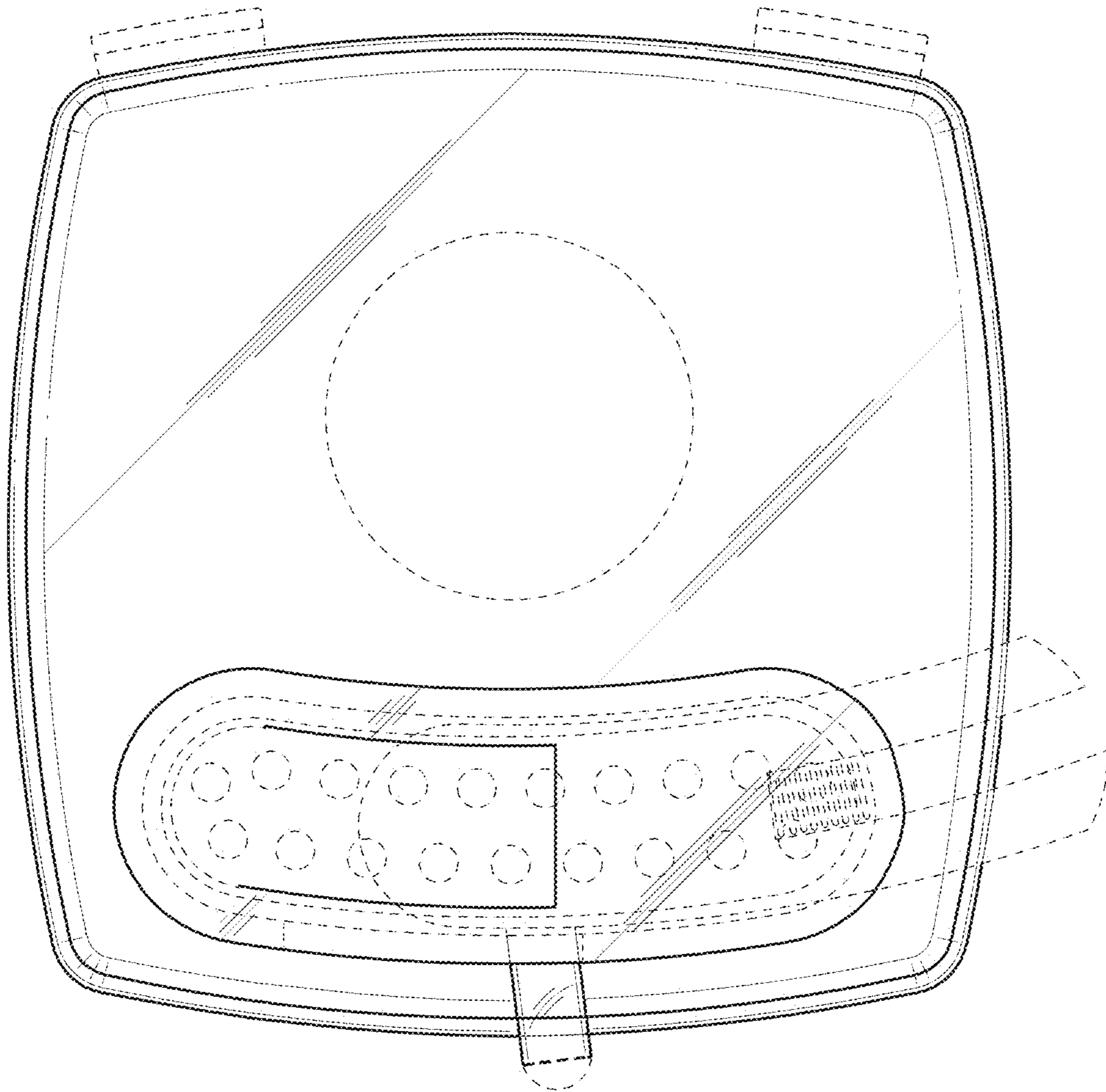


FIG.14

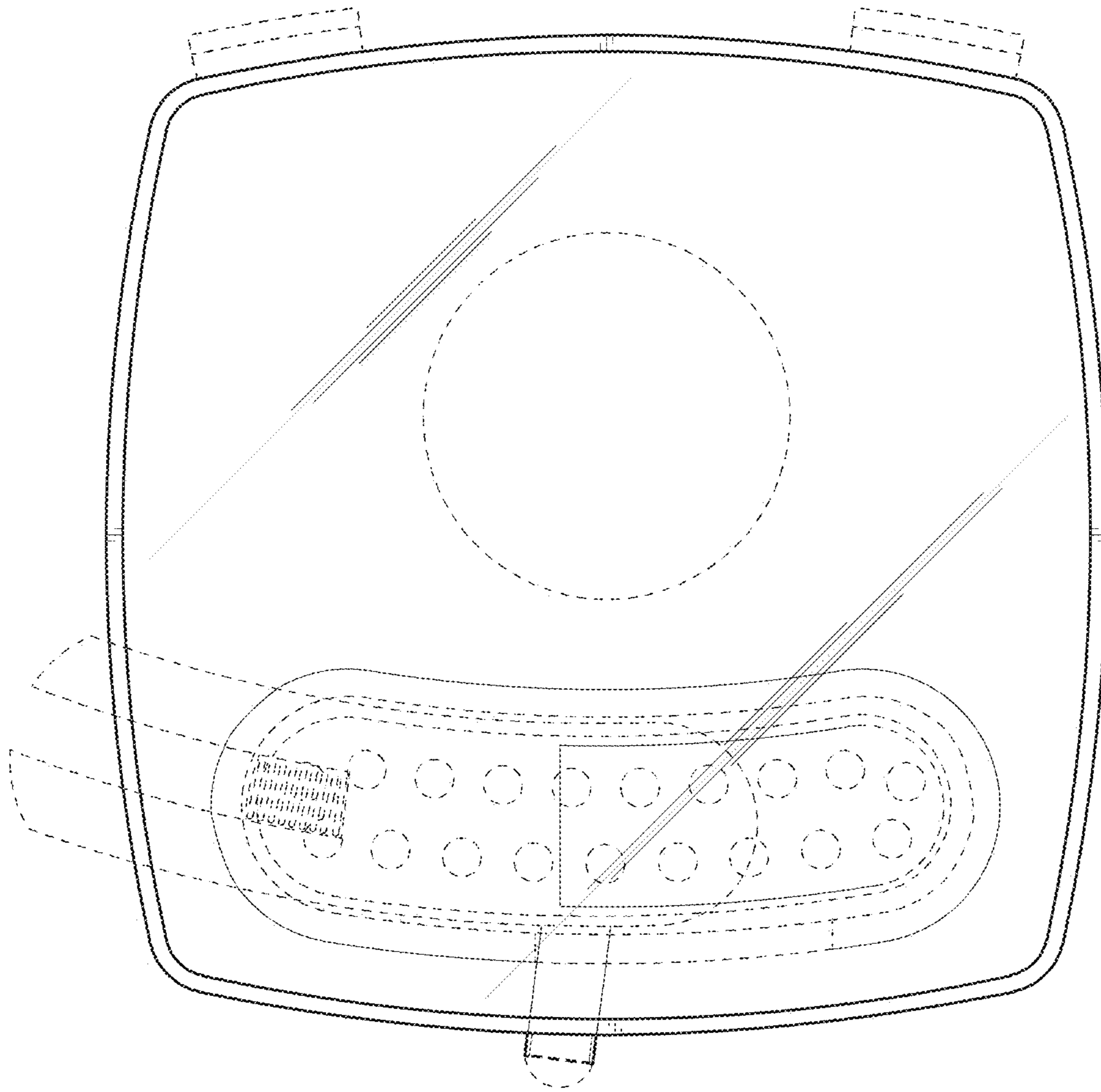


FIG.15

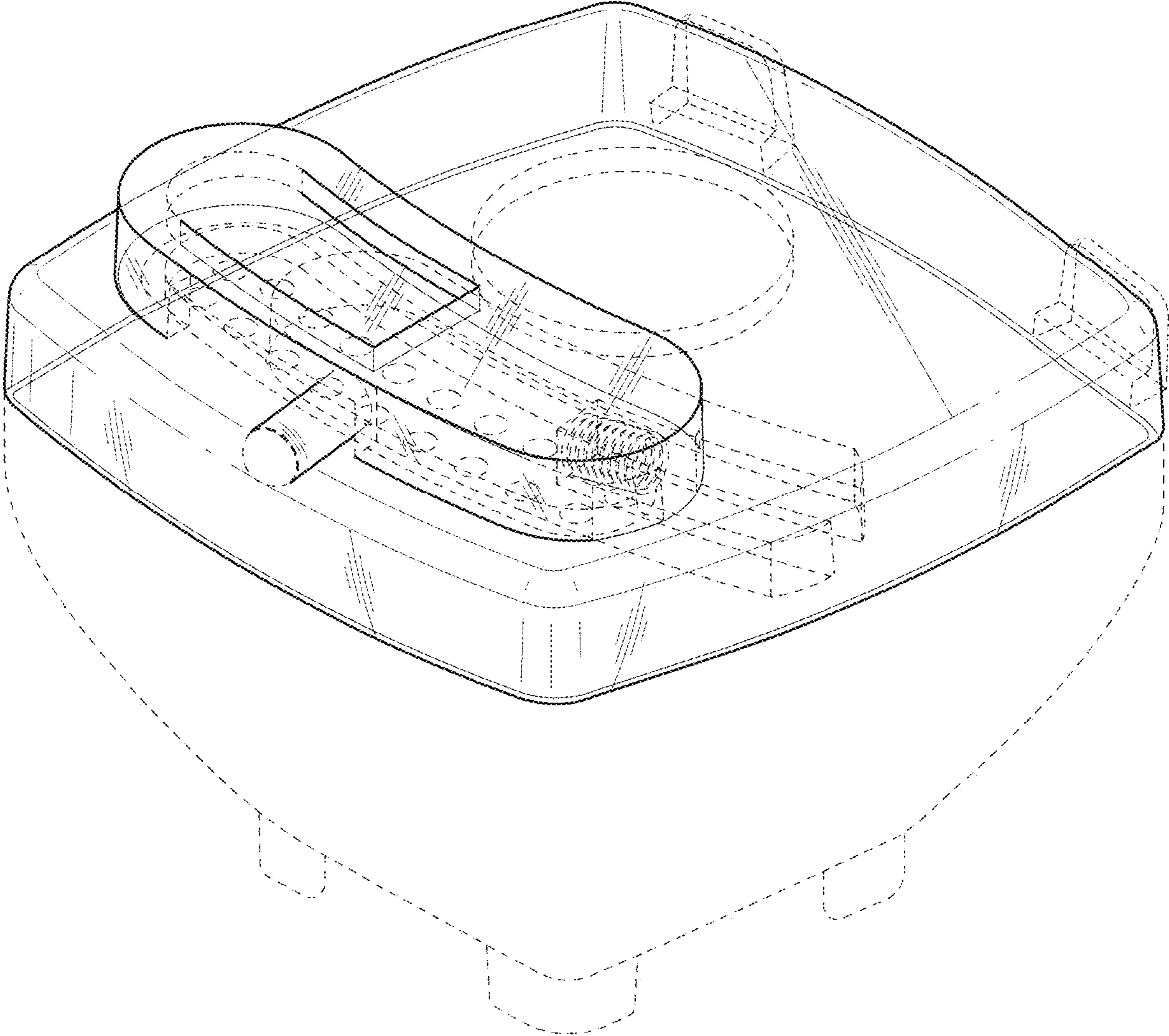


FIG.16