

US00D979395S

(12) **United States Design Patent** (10) **Patent No.:** **US D979,395 S**
Wiese et al. (45) **Date of Patent:** **** Feb. 28, 2023**

(54) **PACKAGE**

(71) Applicant: **Kraft Foods Group Brands LLC**,
Chicago, IL (US)
(72) Inventors: **Jonathan Wiese**, Chicago, IL (US);
Michelle Cozo Pollard, Chicago, IL
(US); **Paul Taylor**, London (GB);
Charles Phillips, Hartsville, SC (US);
Ryan Boudreaux, Fairfield, CT (US);
Luis Ramiro Gutierrez Montenegro,
Fairfield, CT (US)

(73) Assignee: **Kraft Foods Group Brands LLC**,
Chicago, IL (US)

(**) Term: **15 Years**

(21) Appl. No.: **29/758,639**

(22) Filed: **Nov. 17, 2020**

(51) **LOC (14) Cl.** **09-03**

(52) **U.S. Cl.**
USPC **D9/418**

(58) **Field of Classification Search**
USPC D9/655, 661, 662, 459, 456, 500, 501,
D9/502, 503, 414, 415, 416, 418, 424,
D9/430, 432, 433, 737, 748, 750, 751,
D9/757, 759, 761, 762; D7/300, 317,
D7/321, 387, 388.391, 392, 396.1, 396.6,
D7/397, 398, 401.1, 403, 509, 538, 610,
D7/619.1, 629, 672, 677, 601, 602, 624.1,
D7/705, 708; D3/315, 318, 319, 320,
D3/321
CPC B65D 5/00; B65D 5/001; B65D 5/0015;
B65D 5/0227-0254; B65D 5/18; B65D
5/38; B65D 5/40; B65D 5/2033; B65D
5/40024; B65D 5/6605; B65D 1/22;
B65D 1/24; B65D 1/34; B65B 25/001;
B65B 5/068; B65B 7/2878; A23L 15/30
See application file for complete search history.

(56) **References Cited**

U.S. PATENT DOCUMENTS

D190,396 S * 5/1961 Robinson D9/415
3,250,387 A * 5/1966 Jacobson A45C 11/00
D9/415
D215,271 S 9/1969 Hildebrand, Jr.
3,890,448 A 6/1975 Ito
D302,114 S * 7/1989 Ashby D9/761
4,889,741 A 12/1989 Timmons
(Continued)

OTHER PUBLICATIONS

Kraft To Go: Announced 2014 (online). Site Visited [May 20, 2022].
Available from Internet URL: <https://www.influenster.com/reviews/kraft-to-go-triscuit-colby-monterey-jack-15-oz-crackers-cheese-2-pk-tray>.*

(Continued)

Primary Examiner — Catherine S Posthauer
(74) *Attorney, Agent, or Firm* — Fitch Even Tabin &
Flannery LLP

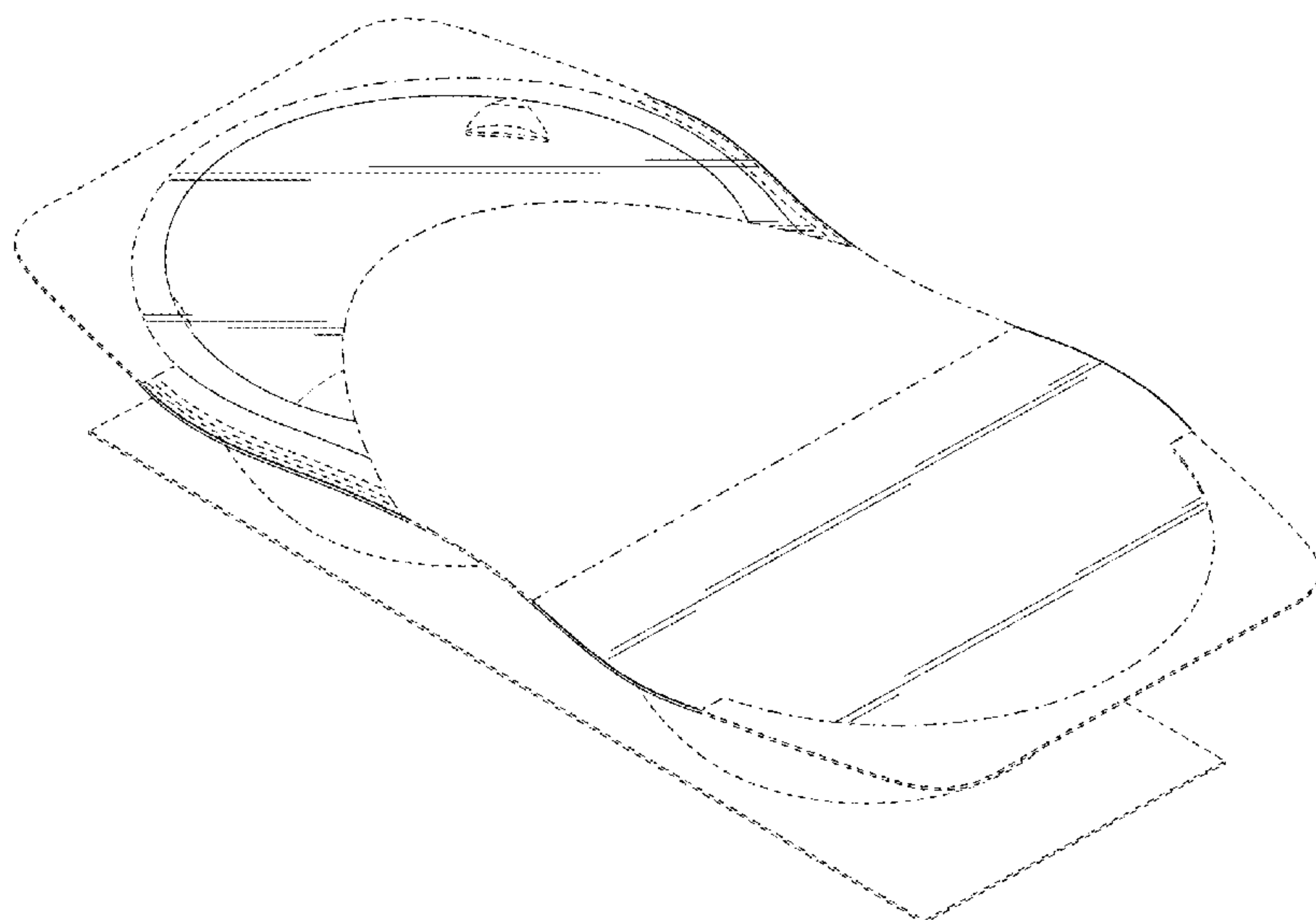
(57) **CLAIM**

The ornamental design for a package, as shown and described.

DESCRIPTION

FIG. 1 is a top perspective view showing our new design of a package;
FIG. 2 is a top plan view thereof;
FIG. 3 is a front elevation view thereof;
FIG. 4 is a right side elevation view thereof;
FIG. 5 is a rear elevation view thereof;
FIG. 6 is a left side elevation view thereof; and,
FIG. 7 is a bottom plan view thereof.
Broken lines are used in the drawings to illustrate features that form no part of the claimed design. The dash-dot broken lines in FIGS. 1-3, 5, and 7 define the bounds of the claimed design. The claimed design extends to but does not include the defined boundary.

1 Claim, 3 Drawing Sheets



(56)

References Cited

U.S. PATENT DOCUMENTS

D357,115 S * 4/1995 Abrams D3/264
 5,503,858 A 4/1996 Reskow
 D404,644 S * 1/1999 Meeker D24/227
 D426,751 S 6/2000 Obra
 D443,510 S * 6/2001 Doucette D9/761
 D476,229 S * 6/2003 Skillings D9/518
 D507,756 S * 7/2005 Hall D9/761
 D530,626 S * 10/2006 Tanja D9/761
 D548,593 S * 8/2007 Keberlein D9/433
 D560,492 S * 1/2008 Markowicz D9/721
 D595,998 S 7/2009 Hauser
 D597,262 S 7/2009 Shamoon
 D621,668 S * 8/2010 Zemel D7/672
 D646,561 S * 10/2011 Pugh D9/415
 D655,629 S * 3/2012 Blanton D9/761
 D670,161 S * 11/2012 Birgers D9/415
 8,409,645 B2 * 4/2013 Feldmeier A47G 21/001
 426/106
 D695,103 S * 12/2013 Kirk D9/425
 D699,076 S 2/2014 Harris
 D710,213 S * 8/2014 Birchmeier D9/711
 8,865,779 B2 * 10/2014 Shekdar C07D 311/72
 568/377
 D738,208 S * 9/2015 Diehl D9/435
 D742,218 S * 11/2015 Astorga D9/425
 D773,126 S 11/2016 Scaba
 D823,700 S * 7/2018 Orzeck D9/761
 11,230,420 B2 * 1/2022 Tilahun B65D 25/22
 D949,708 S * 4/2022 Platt D9/737
 2001/0001674 A1 * 5/2001 Simpson B65D 77/003
 220/62.13
 2003/0054076 A1 3/2003 Dibbs
 2005/0031814 A1 2/2005 Dawes
 2009/0199775 A1 8/2009 Shamoon
 2011/0177218 A1 7/2011 Visser
 2011/0250323 A1 * 10/2011 Martin A23B 5/0055
 426/107
 2014/0124507 A1 * 5/2014 Huffer B65D 77/2024
 220/359.3
 2014/0272038 A1 9/2014 Mathews
 2014/0353190 A1 * 12/2014 Okihara B65B 55/10
 206/370
 2017/0355500 A1 12/2017 Nambu

2018/0132512 A1 5/2018 Tolnick
 2019/0002140 A1 * 1/2019 Riley B65D 81/264
 2019/0248550 A1 8/2019 Huffman
 2020/0196646 A1 6/2020 Gildersleeve, III
 2021/0122509 A1 * 4/2021 Wiese A23L 15/00
 2021/0307367 A1 10/2021 Van Erp
 2022/0033120 A1 2/2022 Wiese

OTHER PUBLICATIONS

Cracker Barrel Bites: Announced Aug. 10, 2020 (online). Site Visited [May 20, 2022]. Available from Internet URL: <https://www.crackerbarrelcheese.com/products/bites/0000070843>.
 Angstrom, How to Control Humidity in your Cleanroom, Anstrom Technology Cleanroom Experts, accessed: Dec. 14, 2021, <<https://angstromtechnology.com/control-humidity-cleanroom/>>, 2017.
 Barrie, Why Putting Milk in Scrambled Eggs is a Huge Mistake, Mirror, accessed: Dec. 14, 2021 <https://www.mirror.co.uk/lifestyle/health/putting-milk-scrambled-eggs-huge-9536798>, 2018.
 Chambers, How to Make Copycat Starbucks Sous Vide Egg White Bites in Your Pressure Cooker, Mealthy, accessed: Dec. 14, 2021, <https://mealthy.com/cook-smarter/how-to-make-copycat-starbucks-sous-vide-egg-white-bites-in-your-pressure-cooker>, 2018.
 Leah, Sous Vide Egg Bites—Copycat Starbucks Recipe, Beyer Beware, accessed: Dec. 14, 2021 <https://www.beyerbeware.net/2017/09/sous-vide-egg-bites-copycat-recipe.html>, 2017.
 Liss, Myo Non-Stick Vegetable Spray, Budget101, accessed: Dec. 14, 2021 <https://www.budget101.com/recipes/1529-myo-non-stick-vegetable-spray/>, 2012.
 Mimi, Conversion Charts, Indulge with Mimi, captured: Feb. 16, 2017, <<https://web.archive.org/web/20170216154851/https://www.indulgewithmimi.com/resources/>>, 2017.
 Spyrou, Costco Has Their Own Version of Egg Bites, And They're Super Cheap, Foodbeast, accessed: Dec. 14, 2021 <<https://www.foodbeast.com/news/costco-egg-bites/>>, 2018.
 Traditional Oven, Tapioca flour conversion, accessed: Mar. 17, 2022, <<https://www.traditionaloven.com/culinary-arts/flours/tapioca-flour/convert-us-measuring-cup-to-gram-g-of-tapioca-flour.html>>, 2022.

* cited by examiner

FIG. 1

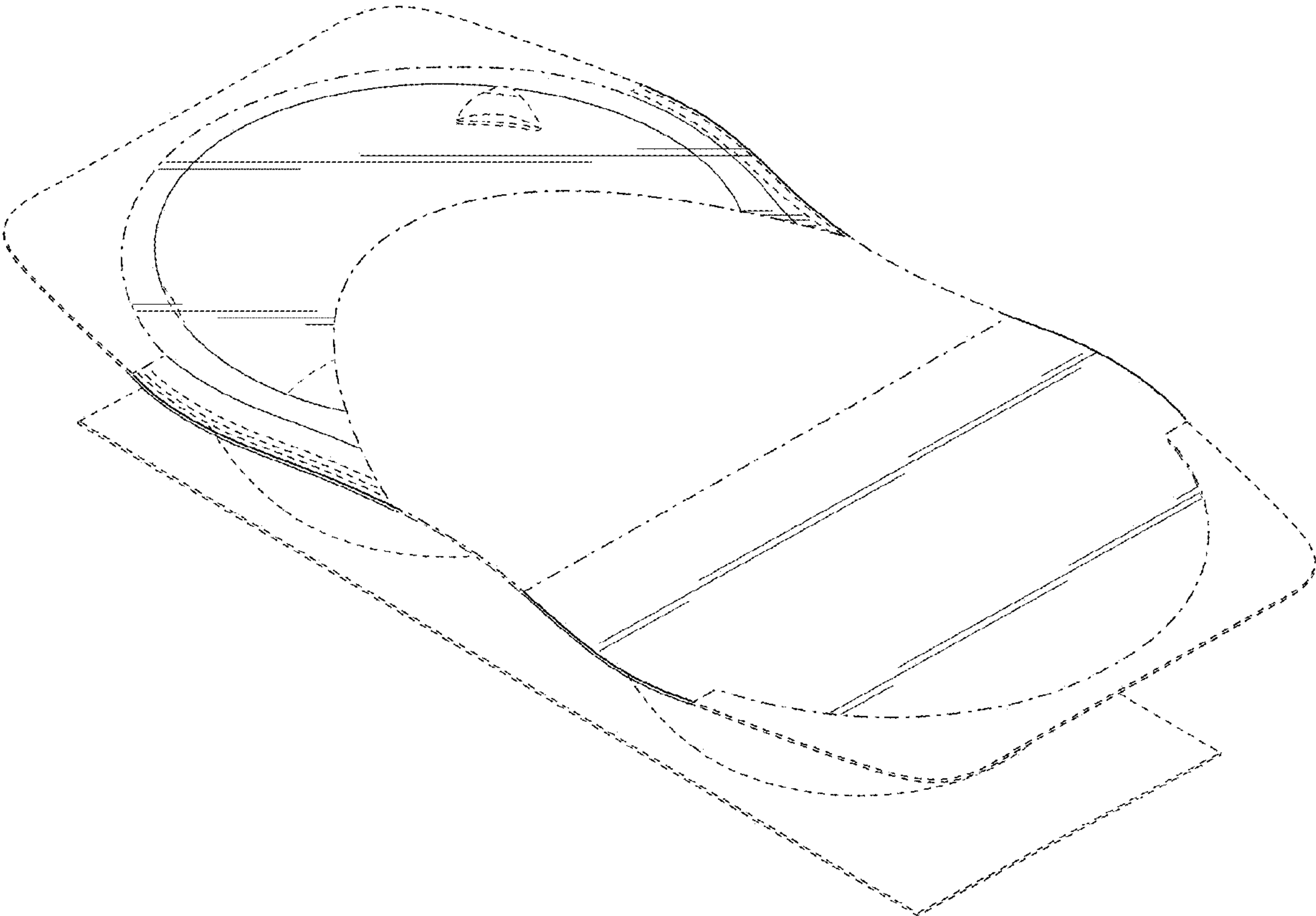


FIG. 2

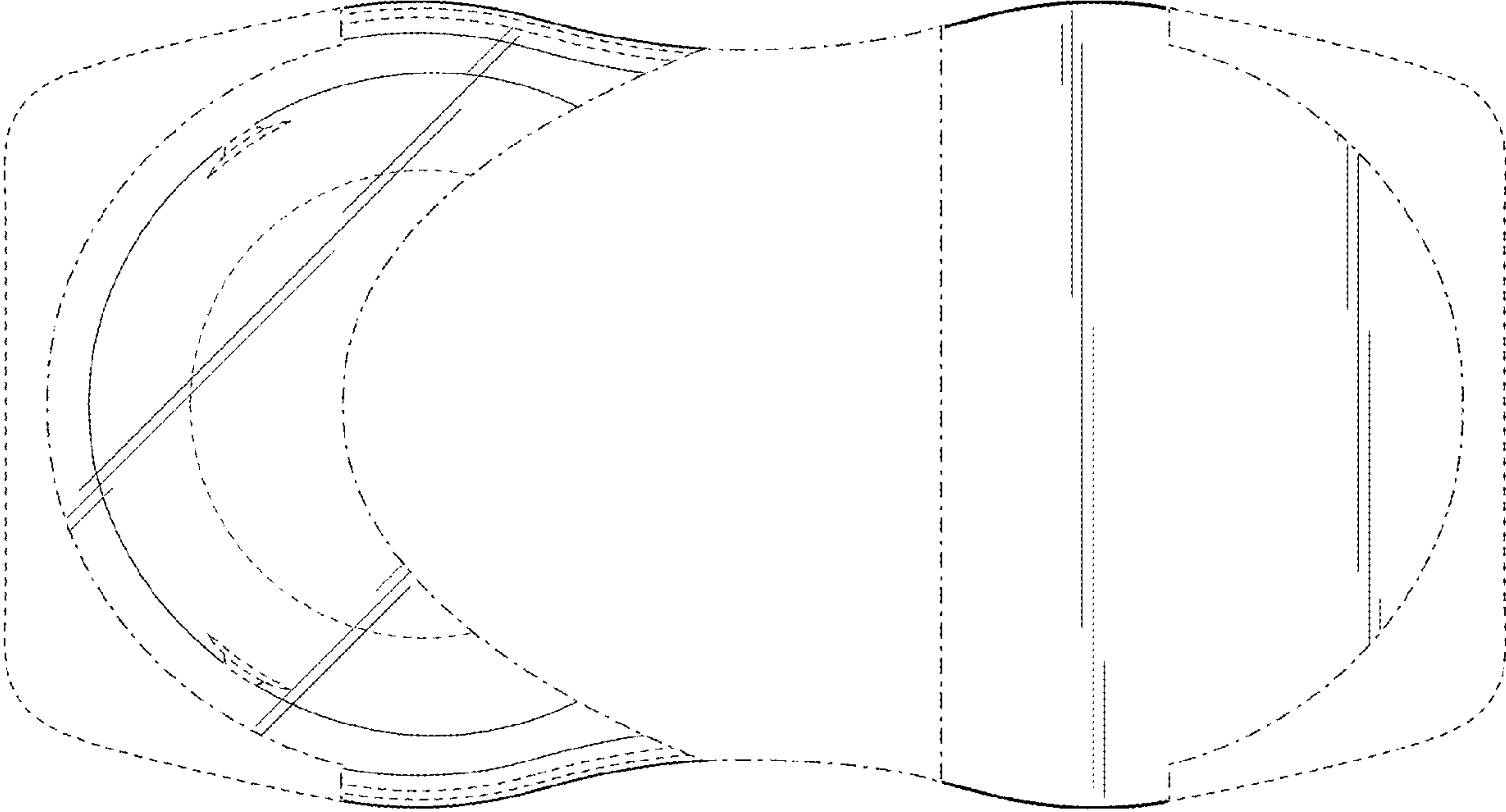


FIG. 3

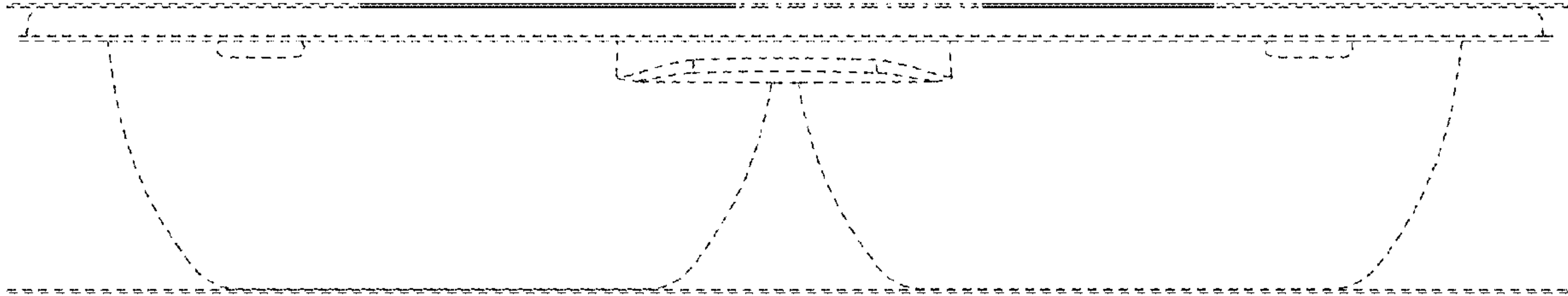


FIG. 4

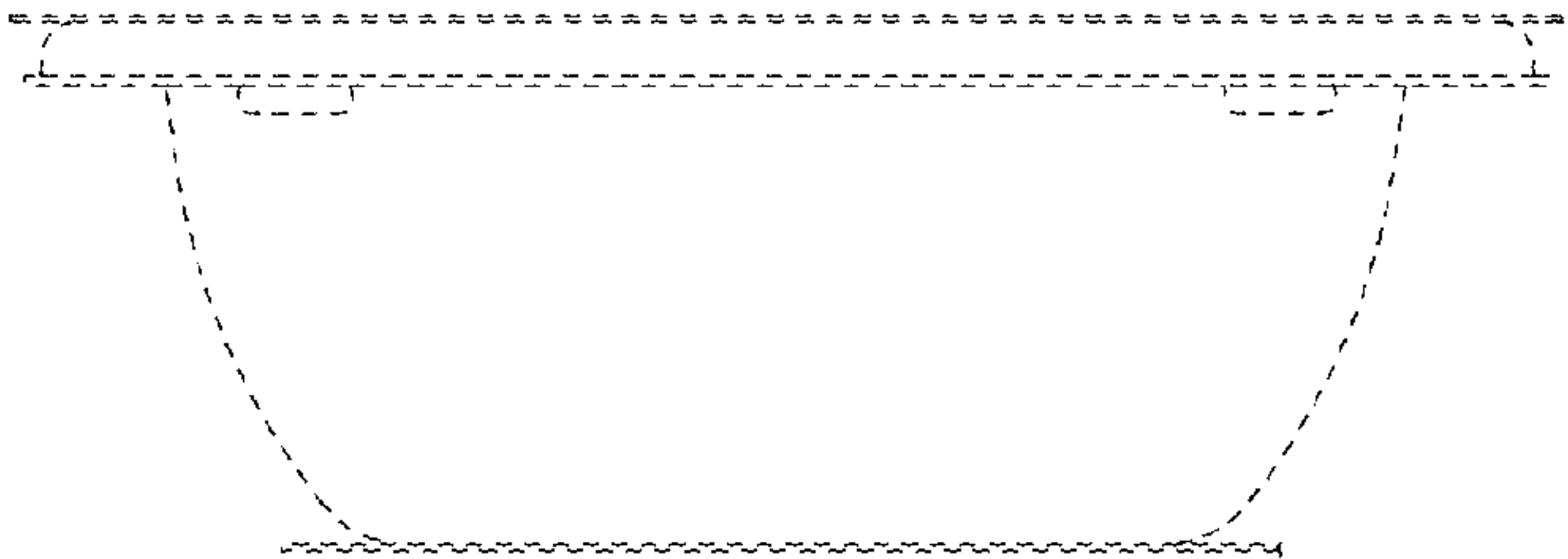


FIG. 5

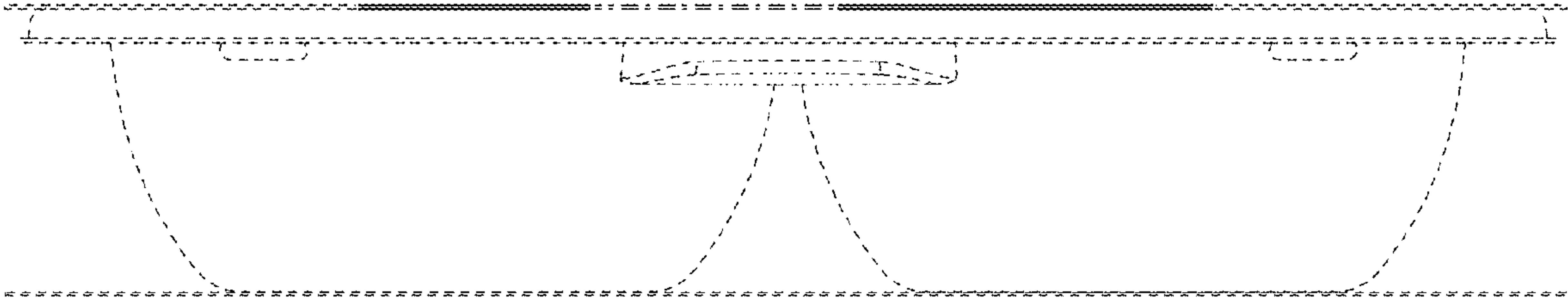


FIG. 6

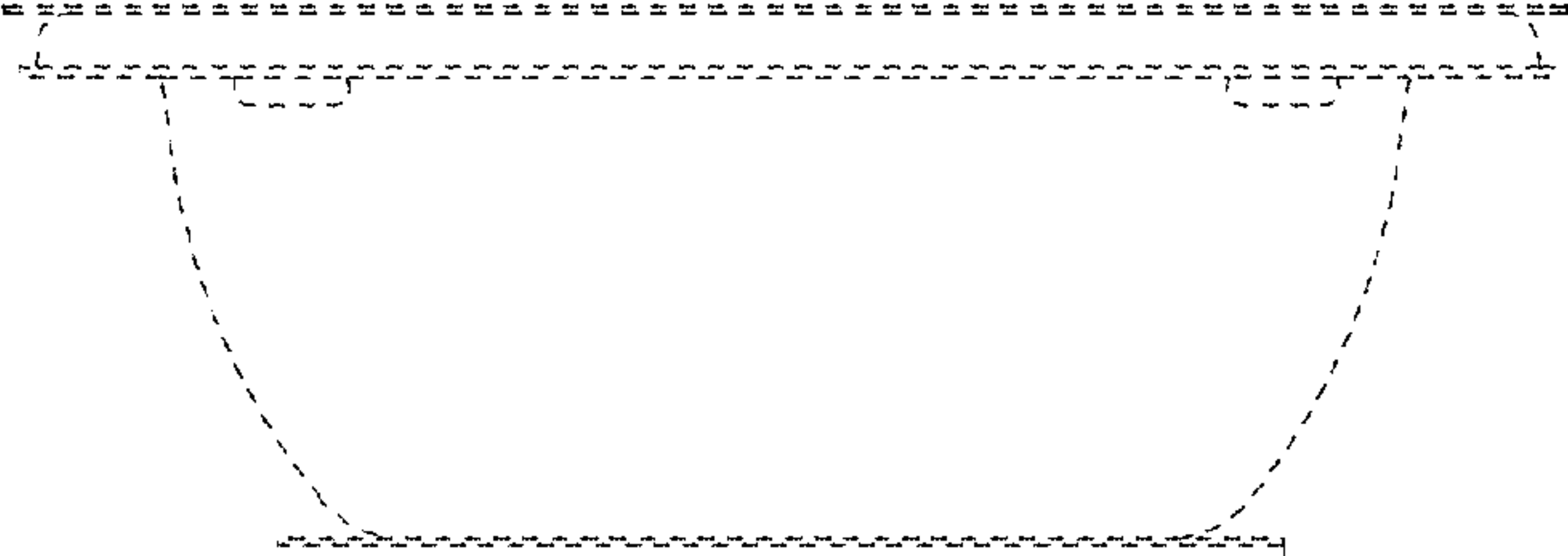


FIG. 7

