



US00D979392S

(12) **United States Design Patent**
Sun

(10) **Patent No.:** **US D979,392 S**

(45) **Date of Patent:** **** Feb. 28, 2023**

(54) **ADJUSTABLE LENGTH HEADBOARD STOPPER**

(71) Applicant: **Yushe County Qianfengtang Electronic Technology Co., Ltd.**, Shanxi (CN)

(72) Inventor: **Wenping Sun**, Shanxi (CN)

(73) Assignee: **Yushe County Qianfengtang Electronic Technology Co., Ltd.**, Shanxi (CN)

(**) Term: **15 Years**

(21) Appl. No.: **29/839,872**

(22) Filed: **May 24, 2022**

(51) **LOC (14) Cl.** **08-09**

(52) **U.S. Cl.**
USPC **D8/402**

(58) **Field of Classification Search**
USPC D8/354, 374, 402-403, 499; D25/138, D25/140
CPC A01G 23/099; A47C 21/00; A47C 31/00; E05C 17/54
See application file for complete search history.

(56) **References Cited**

U.S. PATENT DOCUMENTS

- 2,652,585 A * 9/1953 Herbenar E05C 17/525 292/DIG. 28
- D191,784 S * 11/1961 Ingram D8/402
- 3,025,559 A * 3/1962 Basinger E05C 17/56 D8/402
- 3,701,557 A * 10/1972 Centofante E05C 17/56 292/DIG. 19
- D344,014 S * 2/1994 Marshall D8/402

(Continued)

OTHER PUBLICATIONS

“2PCS Black Adjustable Bed Frame Anti-Shake Tool”, Jul. 10, 2020, Amazon.com, site visited Dec. 16, 2022: <https://www.amazon.com/dp/B08CPPPC9Y> (Year: 2020).*

(Continued)

Primary Examiner — Jack Reickel

Assistant Examiner — Michael A Kervin

(74) *Attorney, Agent, or Firm* — ScienBiziP, P.C.

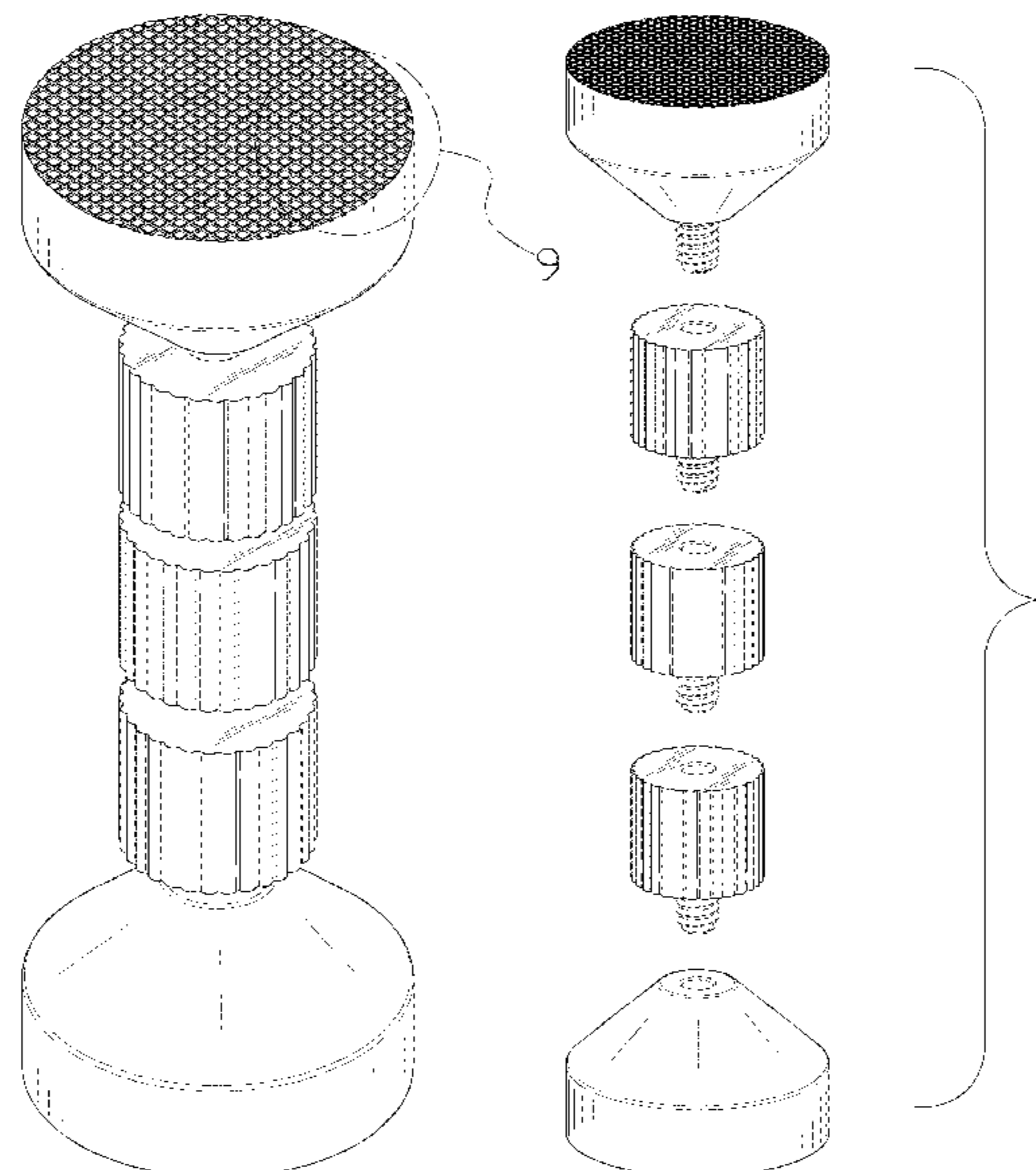
(57) **CLAIM**

The ornamental design for an adjustable length headboard stopper, as shown and described.

DESCRIPTION

FIG. 1 is a front, right and bottom perspective view of an adjustable length headboard stopper, showing my design. FIG. 2 is a rear, left and bottom perspective view thereof. FIG. 3 is a front elevation view thereof. FIG. 4 is a rear elevation view thereof. FIG. 5 is a left side elevation view thereof. FIG. 6 is a right side elevation view thereof. FIG. 7 is a top plan view thereof. FIG. 8 is a bottom plan view thereof. FIG. 9 is a partial enlarged view of an area labeled 9 in FIG. 1. FIG. 10 is another front, right and bottom perspective view of the adjustable length headboard stopper in another state. FIG. 11 is an exploded view of the adjustable length headboard stopper of FIG. 1; and, FIG. 12 is another front, right and bottom perspective view of the adjustable length headboard stopper in another state. The broken lines shown in the drawings are included for the purpose of illustrating portions of the adjustable length headboard stopper that form no part of the claimed design. In addition, the dot-dash broken lines in FIGS. 1 and 9 depict the boundaries of the enlargements that form no part of the claimed design.

1 Claim, 12 Drawing Sheets



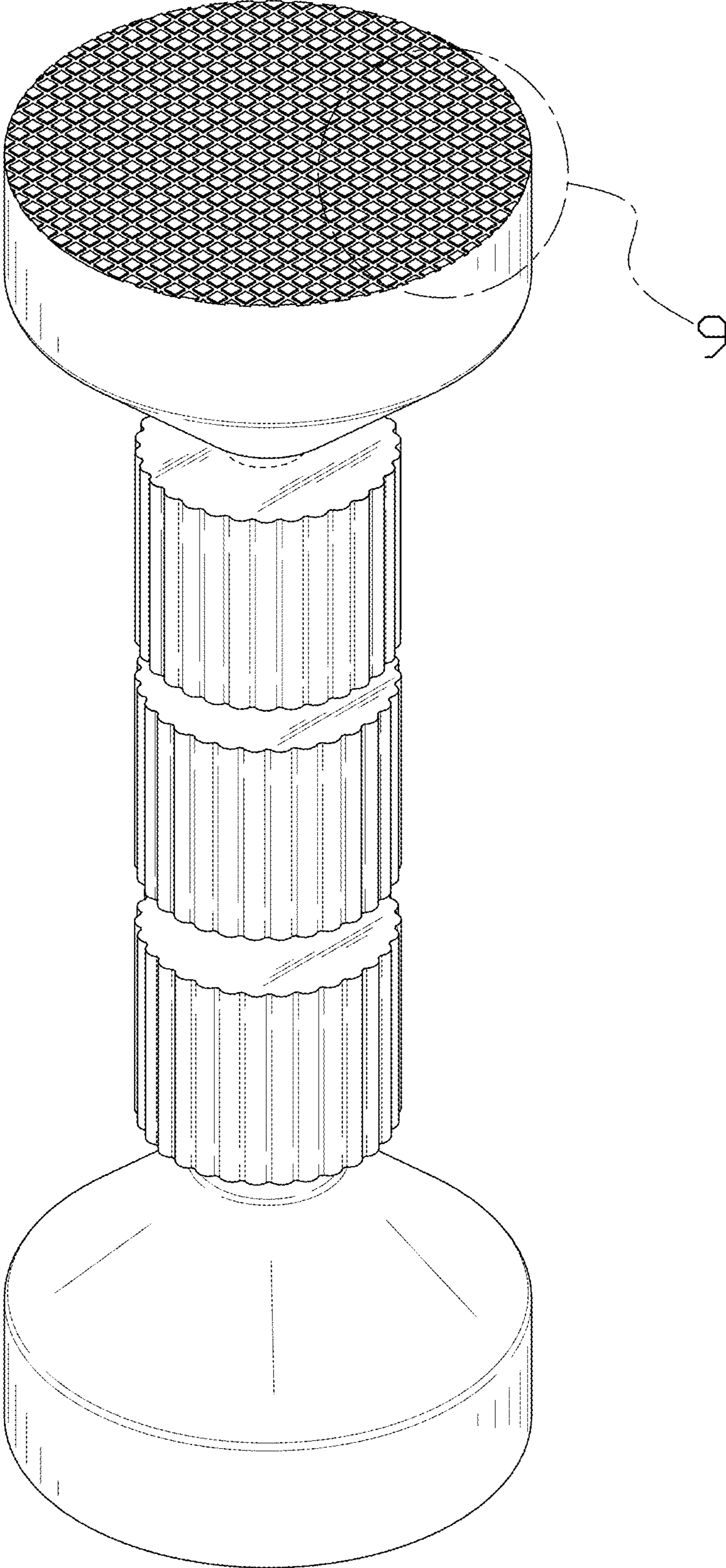


FIG. 1

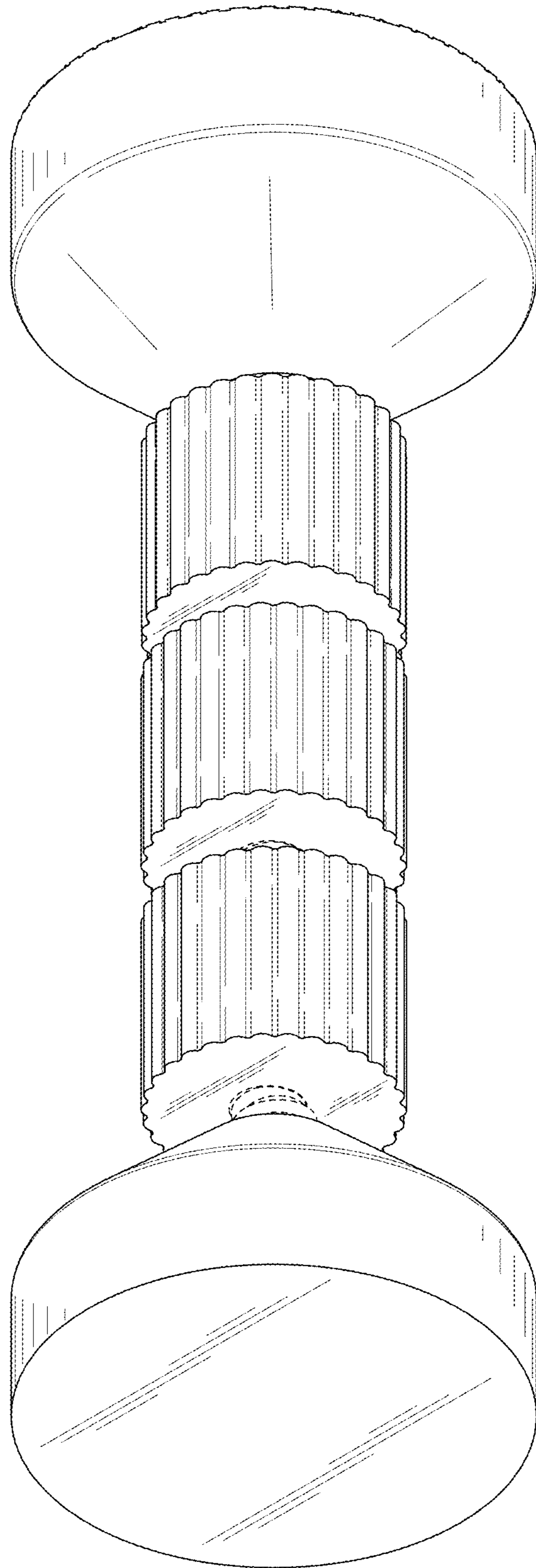


FIG. 2

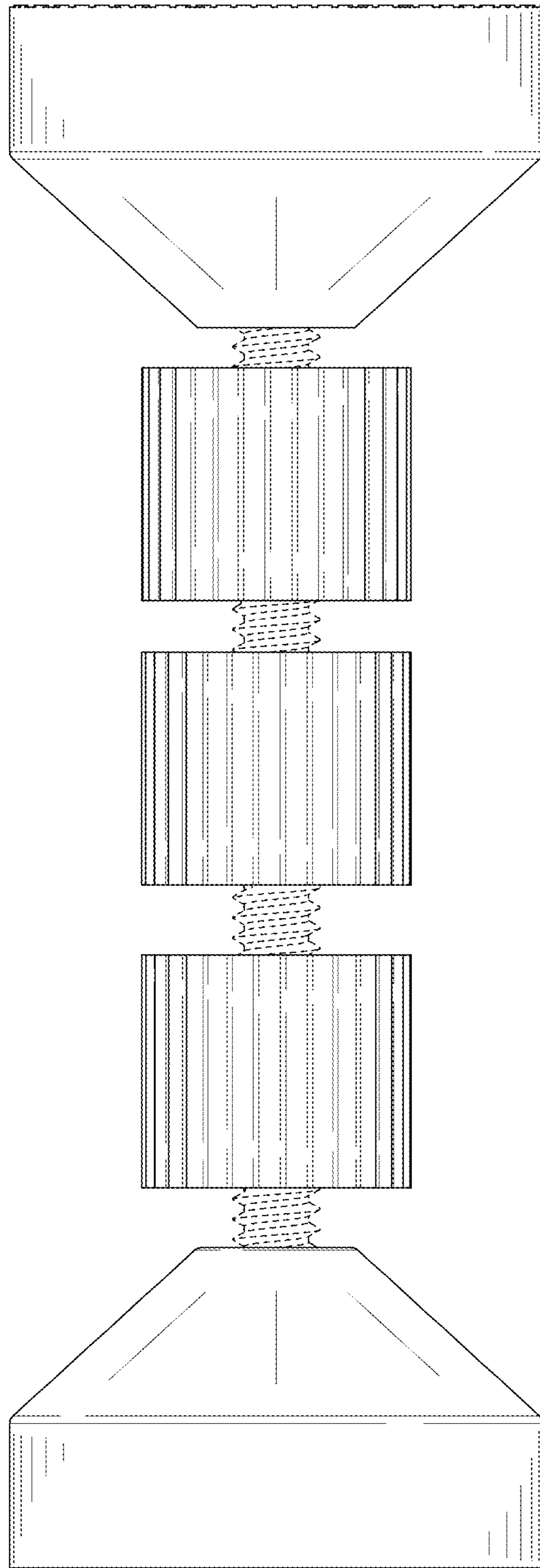


FIG. 3

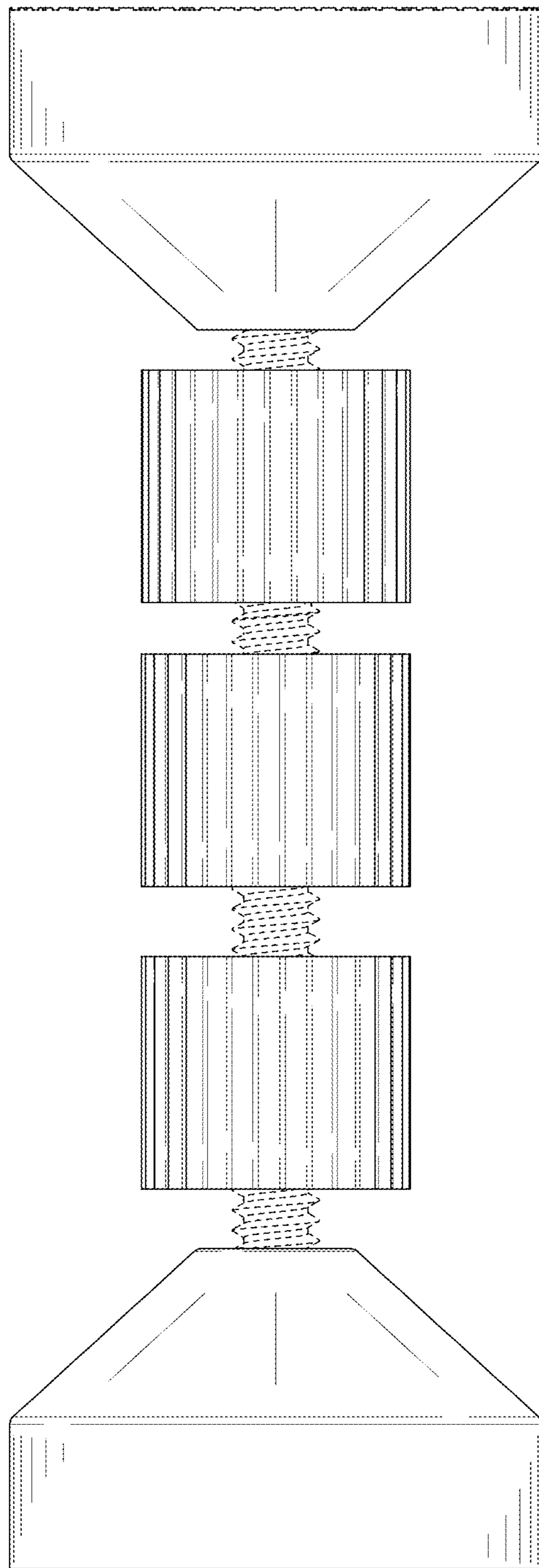


FIG. 4

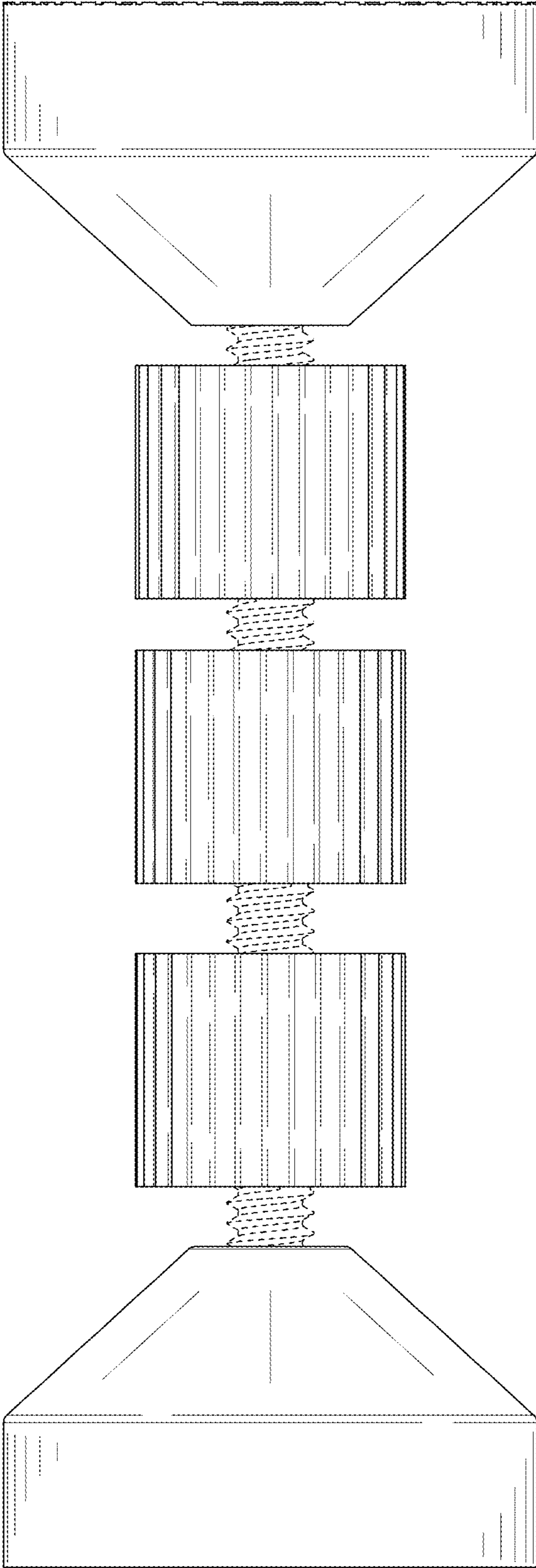


FIG. 5

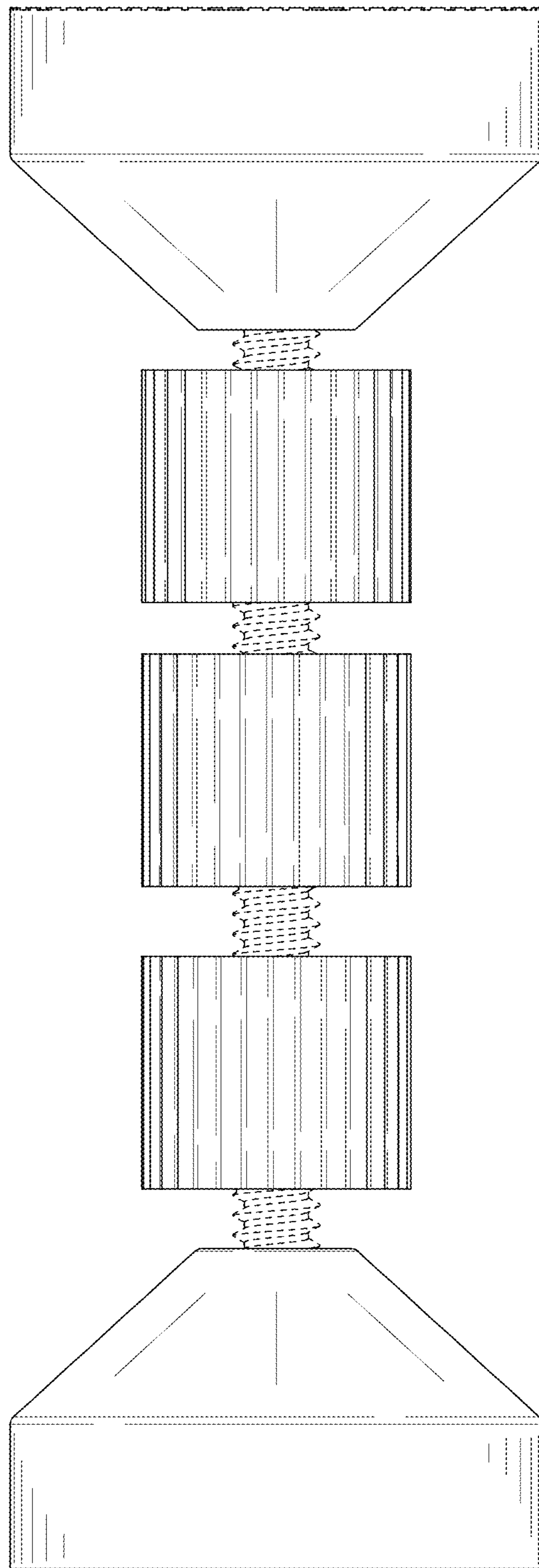


FIG. 6

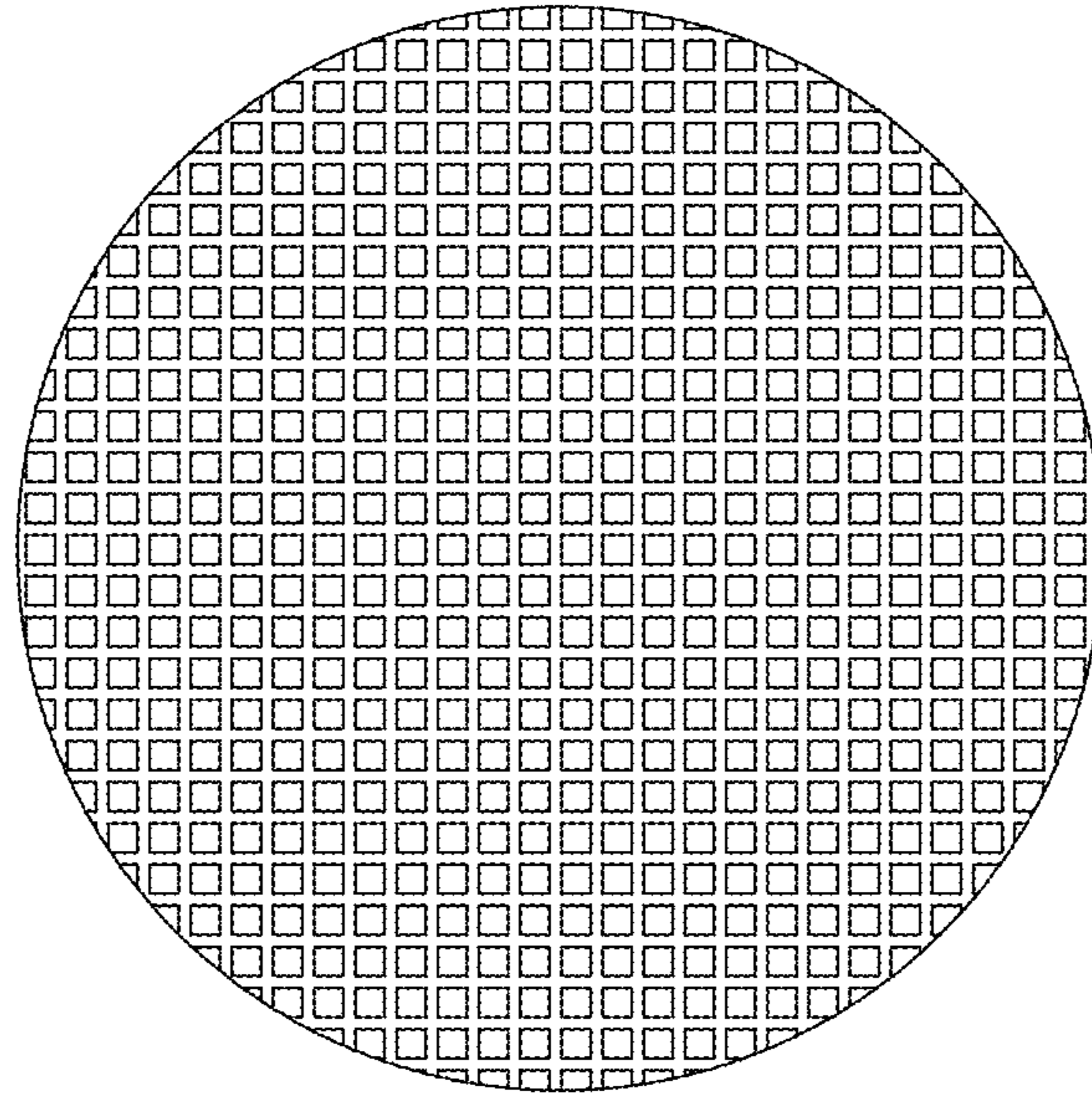


FIG. 7

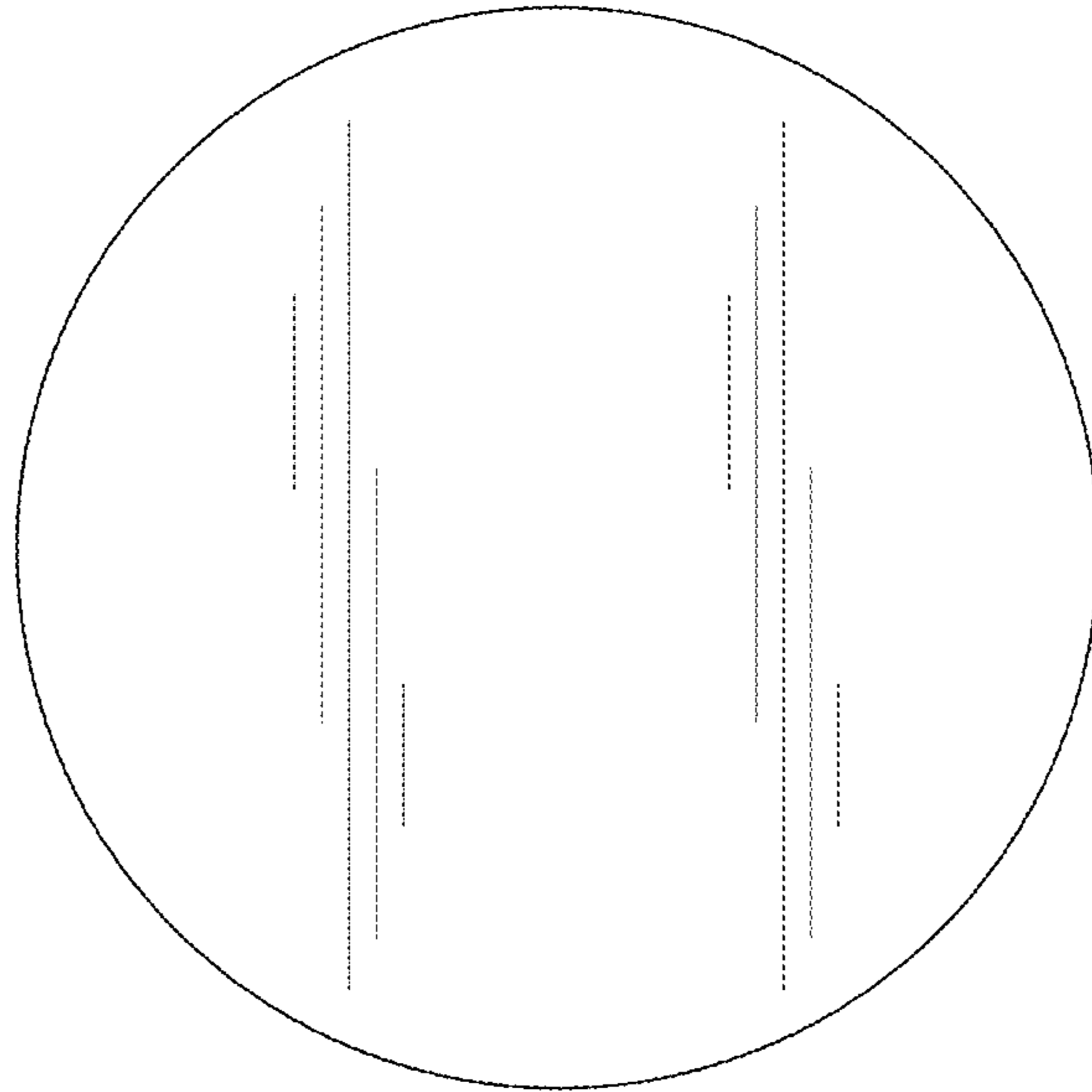


FIG. 8

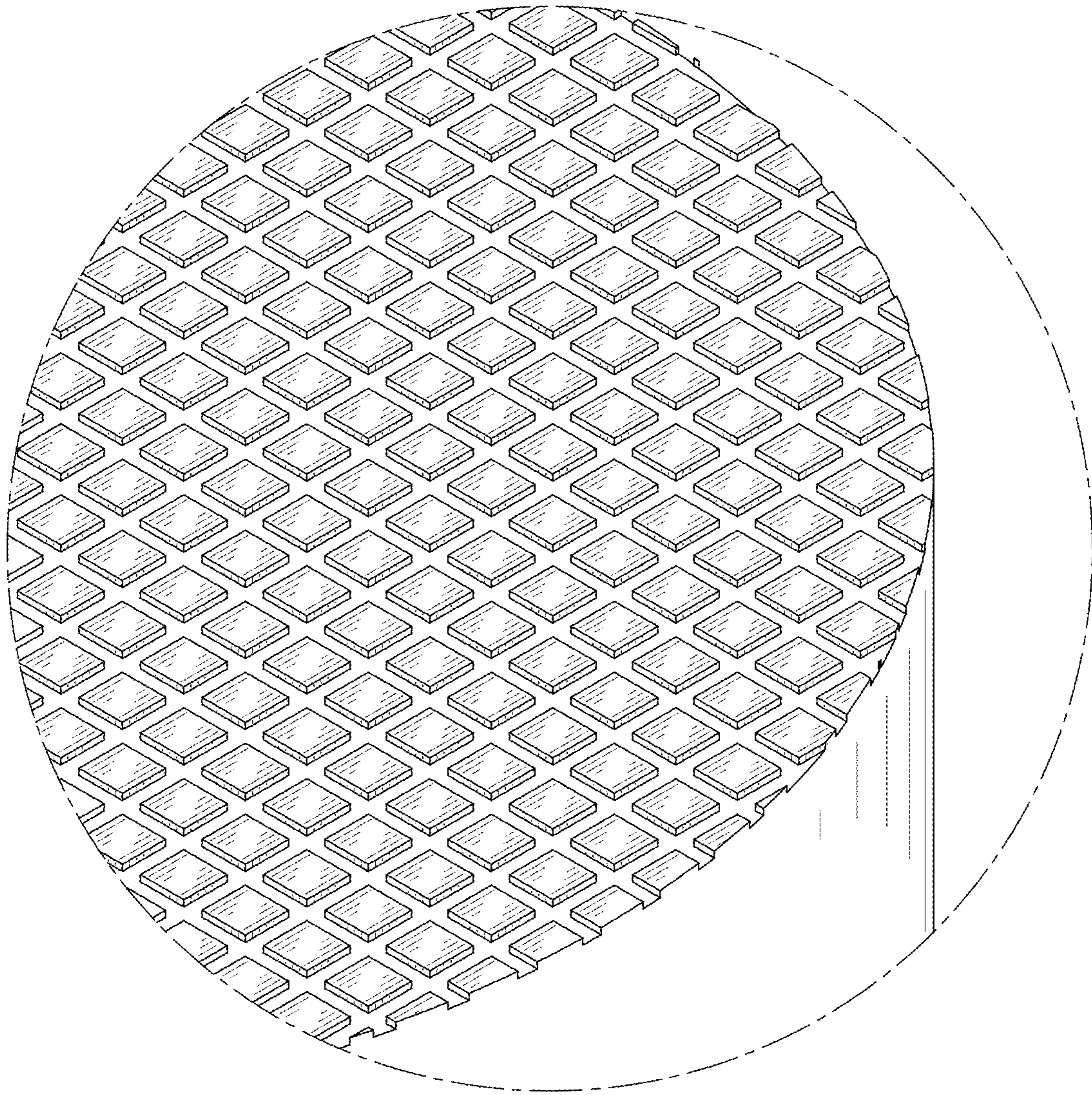


FIG. 9

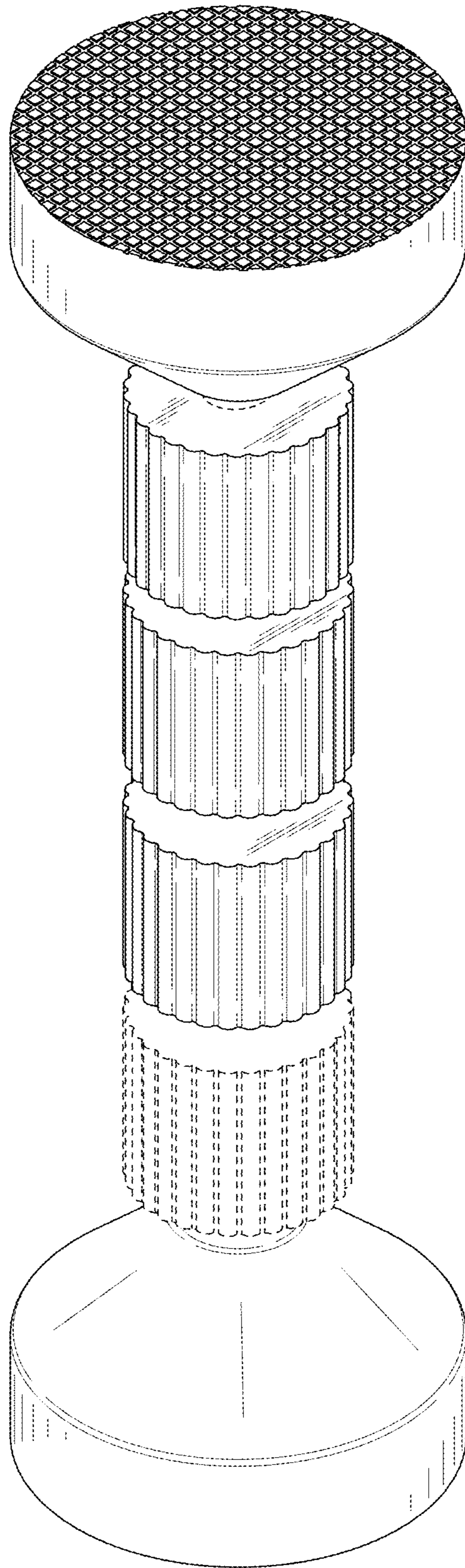


FIG. 10

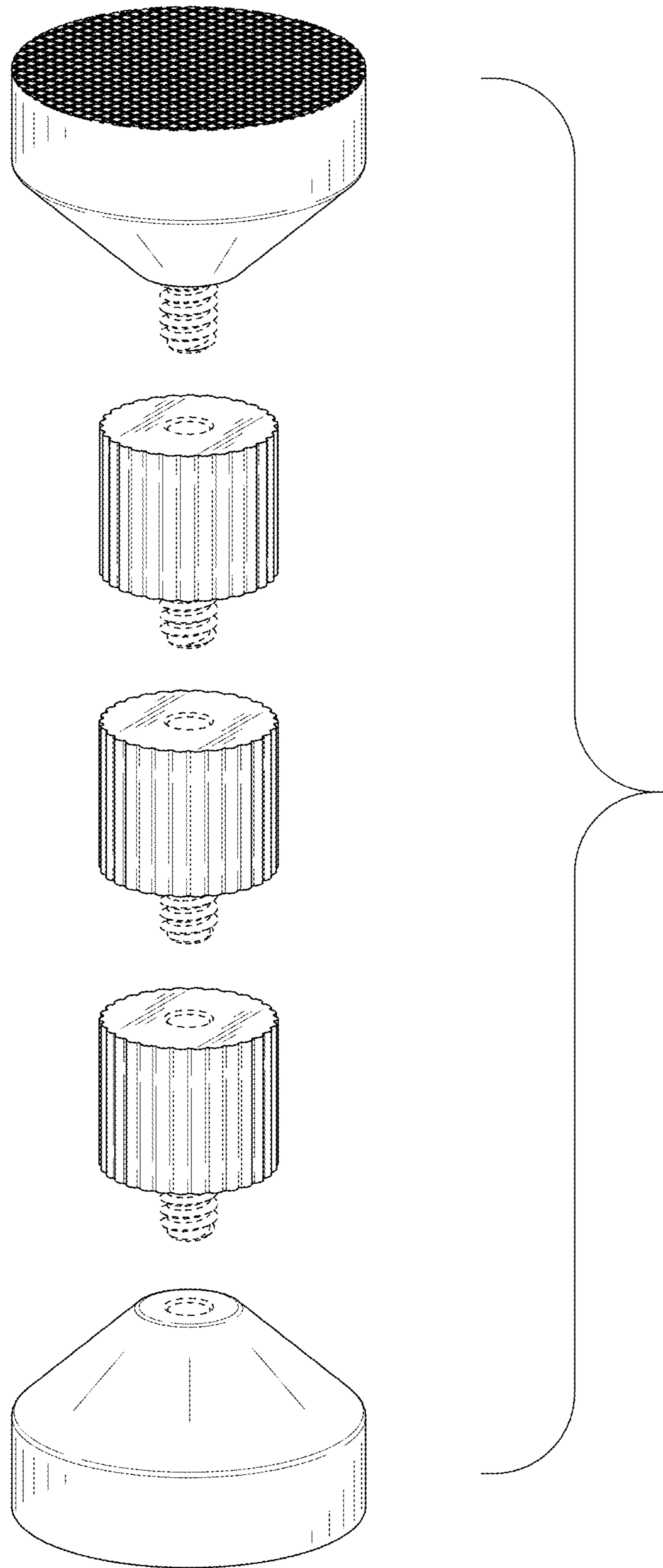


FIG. 11

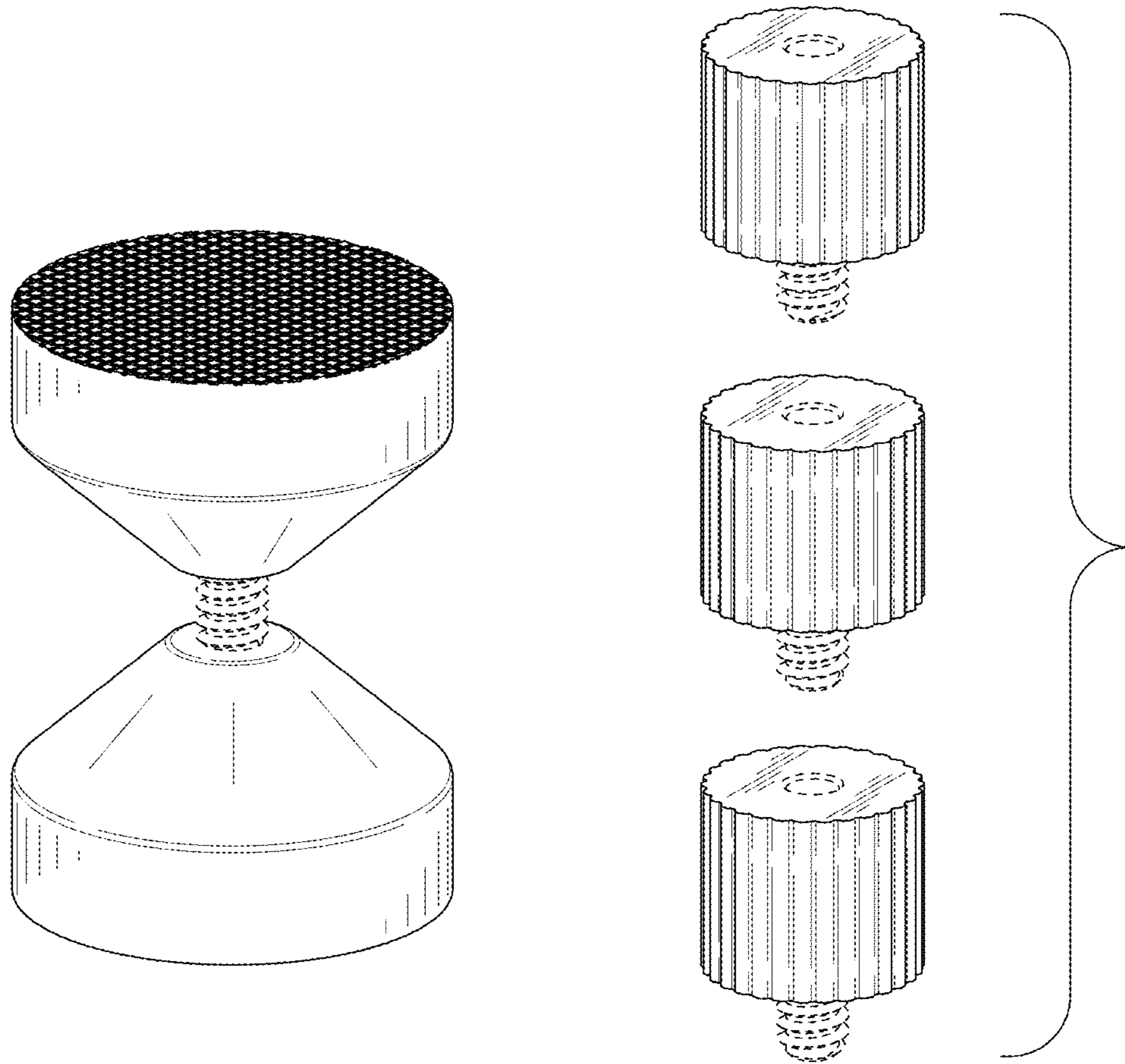


FIG. 12