



US00D979391S

(12) **United States Design Patent**  
**Gunkler**

(10) **Patent No.:** **US D979,391 S**

(45) **Date of Patent:** **\*\* Feb. 28, 2023**

(54) **DOOR LATCH**

(71) Applicant: **Latch A Door Products, LLC**, Benson,  
NC (US)

(72) Inventor: **Thomas Matthew Gunkler**, Benson,  
NC (US)

(\*\*) Term: **15 Years**

(21) Appl. No.: **29/750,124**

(22) Filed: **Sep. 11, 2020**

(51) **LOC (14) Cl.** ..... **08-11**

(52) **U.S. Cl.**  
USPC ..... **D8/400; D8/343**

(58) **Field of Classification Search**  
USPC ..... D8/400, 330, 331, 343, 344  
CPC .... E05B 63/006; E05B 63/10; E05B 27/0003;  
E05B 79/04; E05B 9/08; E05B 9/002;  
E05C 1/163

See application file for complete search history.

(56) **References Cited**

**U.S. PATENT DOCUMENTS**

3,815,945	A *	6/1974	Lamphere	.....	E05B 15/0205
					D8/344
D243,581	S *	3/1977	Goss, Jr.	.....	D8/395
4,629,231	A *	12/1986	Bouchard	.....	E05B 17/2003
					D8/344
D453,101	S *	1/2002	Shiao	.....	D8/344

D525,859	S *	8/2006	Eichert	.....	D8/344
D570,208	S *	6/2008	Senn	.....	D8/400
D760,063	S *	6/2016	Mello	.....	D8/343
D846,367	S *	4/2019	Romero, Jr.	.....	D8/343
D944,622	S *	3/2022	Sweeten	.....	E05B 15/024
					D8/343

\* cited by examiner

*Primary Examiner* — Keli L Hill

*Assistant Examiner* — Harold E Blackwell, II

(57) **CLAIM**

The ornamental design for a door latch, as shown and described.

**DESCRIPTION**

FIG. 1 is a front perspective view of a door latch showing the design;

FIG. 2 is a front view thereof,

FIG. 3 is a rear view thereof,

FIG. 4 is a side view thereof,

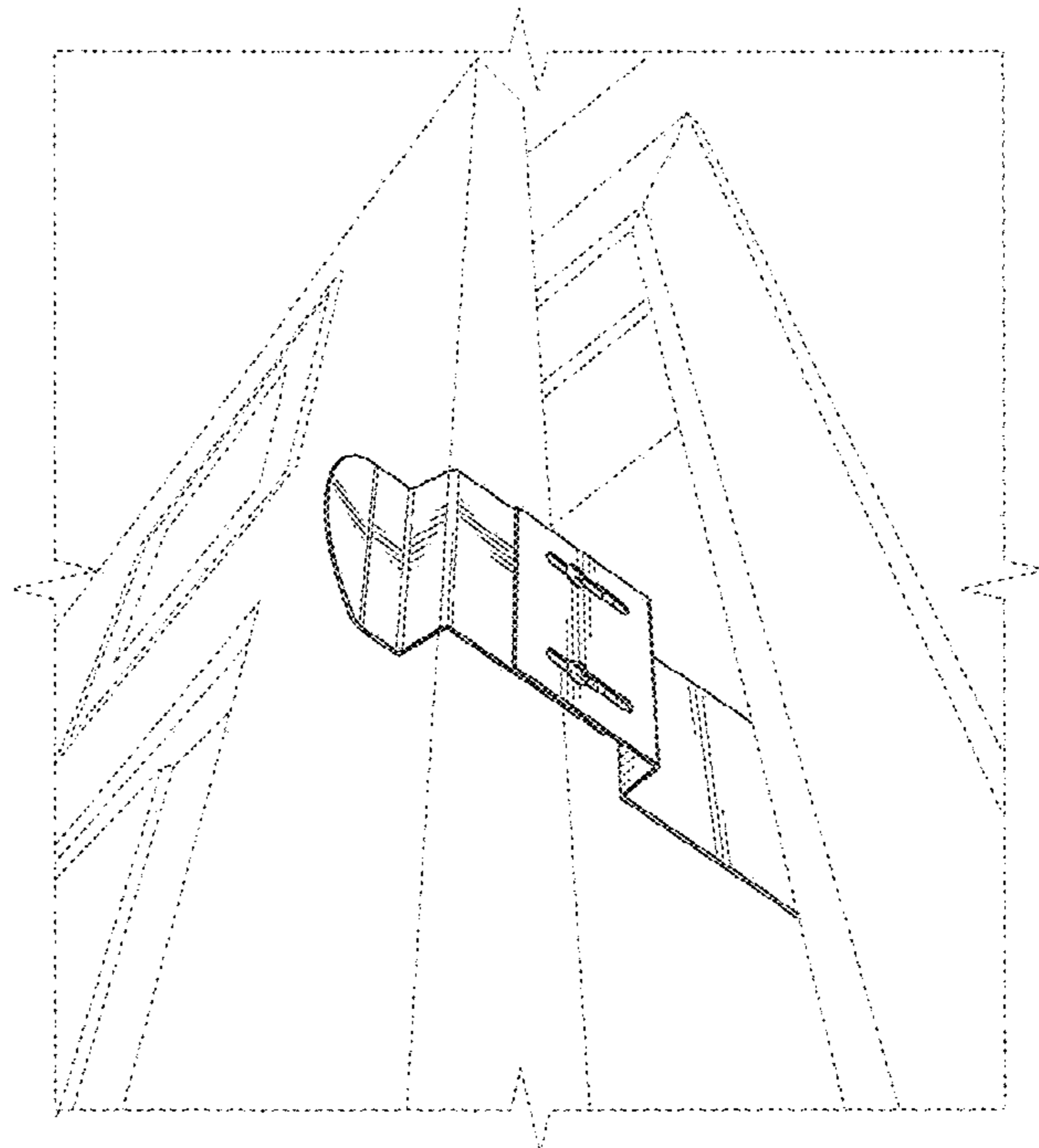
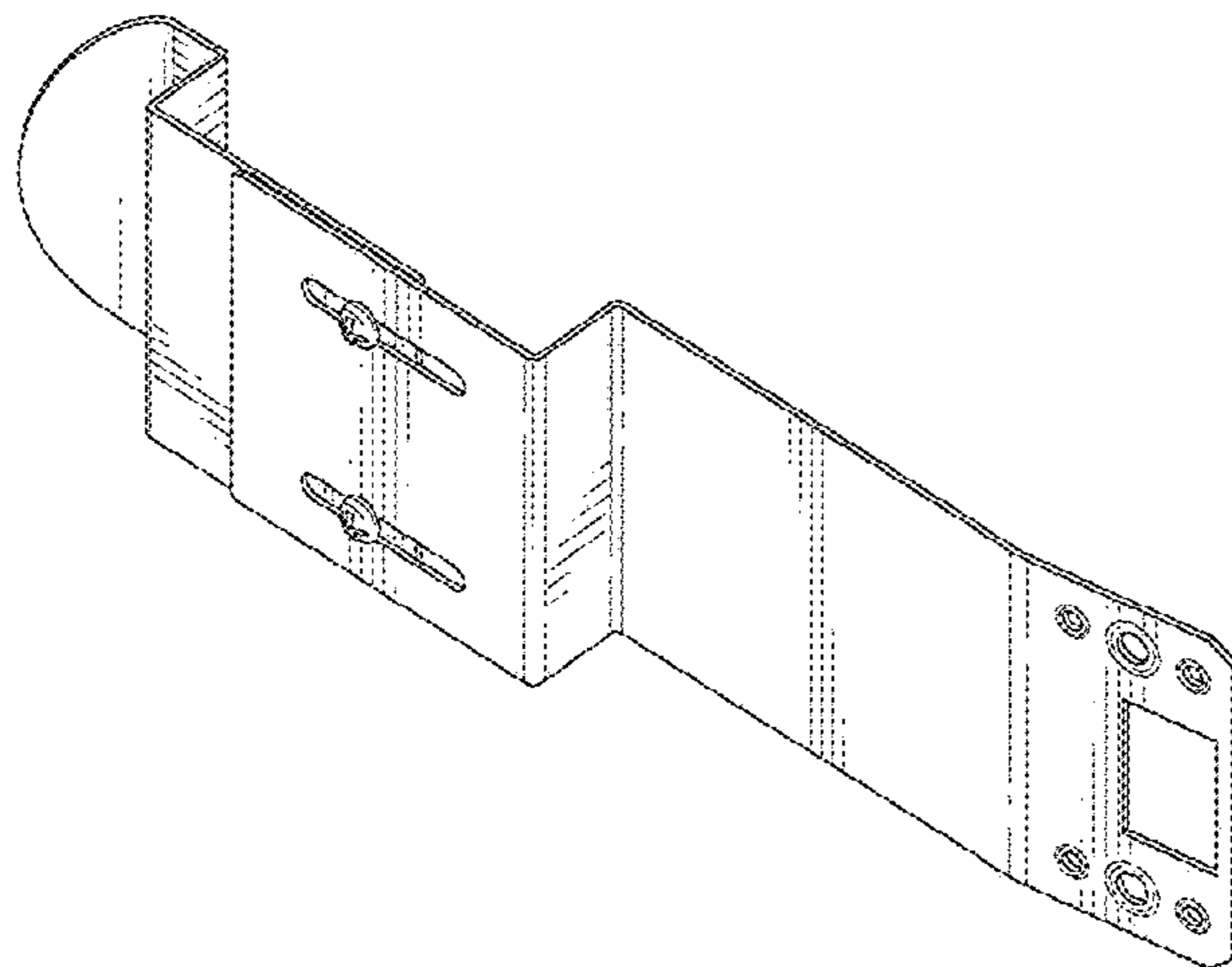
FIG. 5 is a side view opposite that shown in FIG. 4,

FIG. 6 is a top view thereof; and,

FIG. 7 is an environmental view thereof.

The broken line portions shown in FIG. 7 illustrates environmental subject matter only and form no part of the claimed design.

**1 Claim, 6 Drawing Sheets**



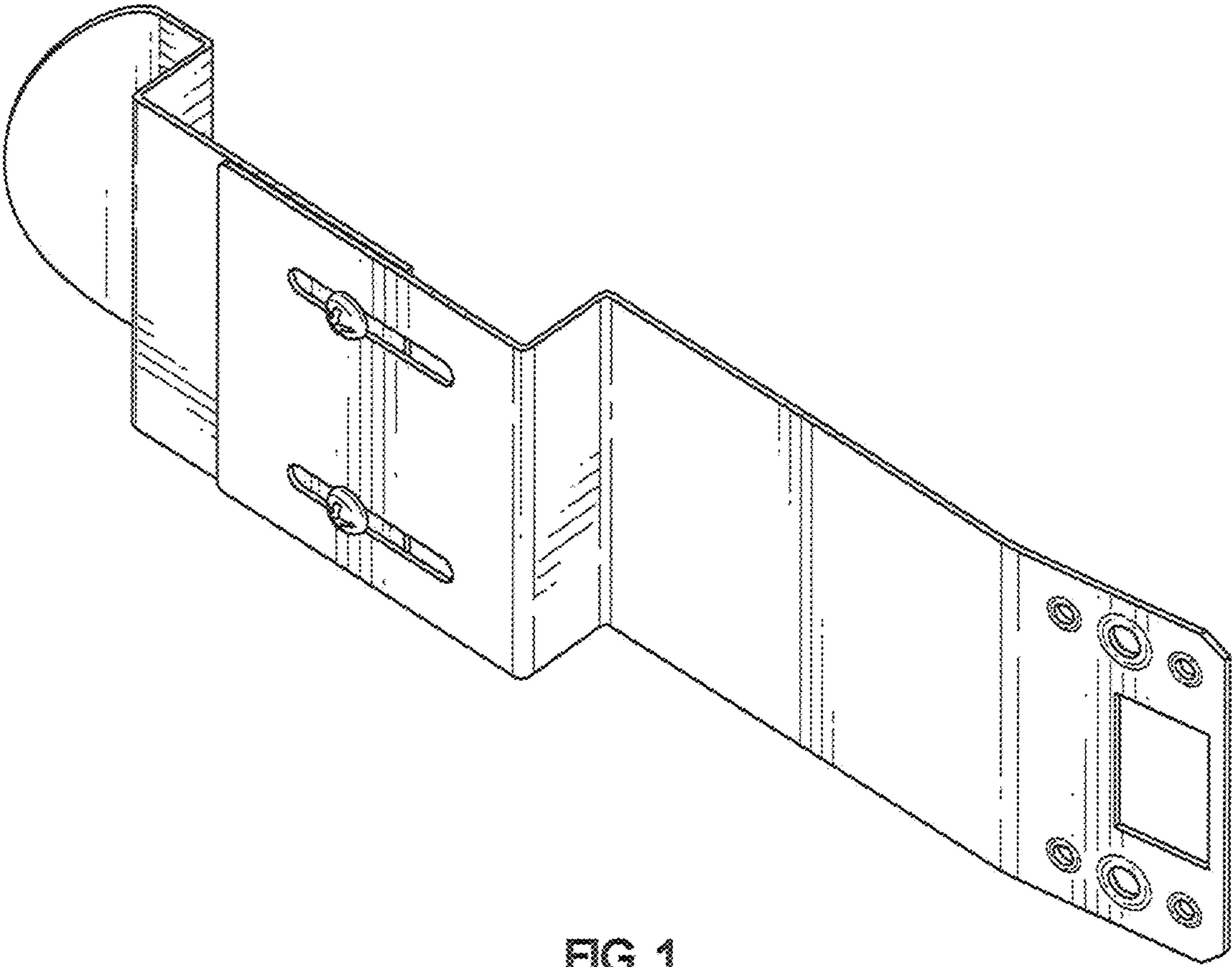


FIG. 1

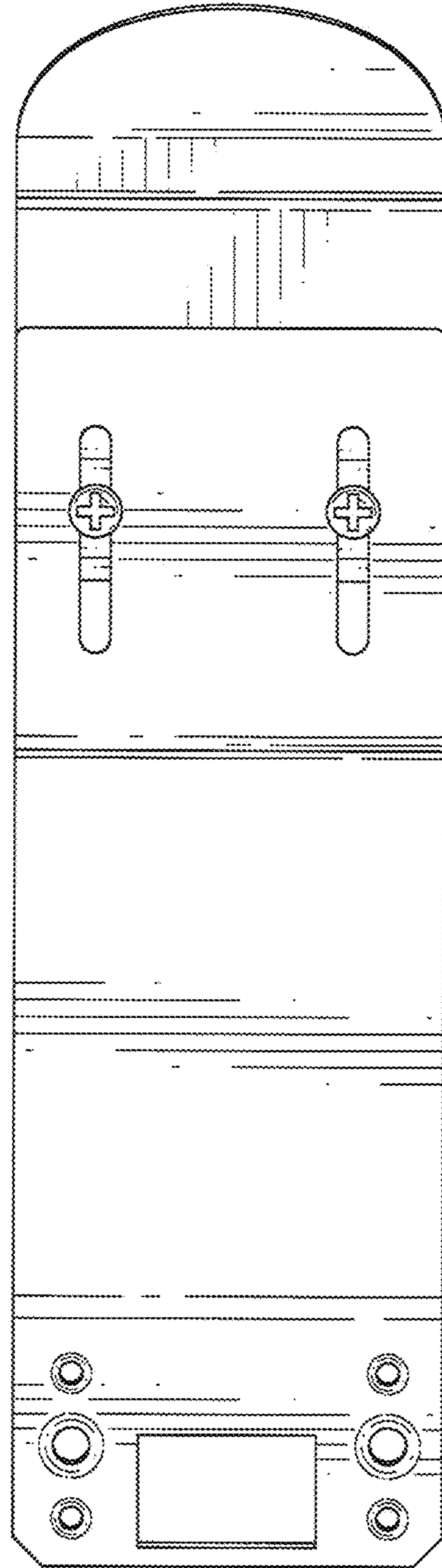


FIG. 2

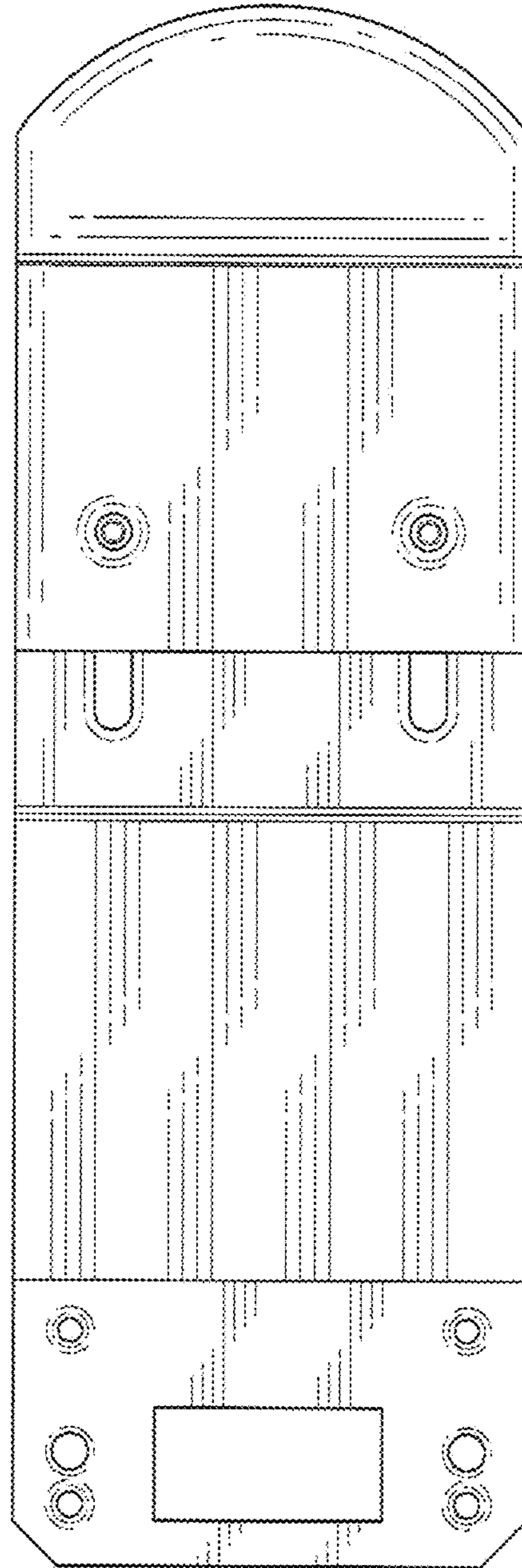


FIG. 3

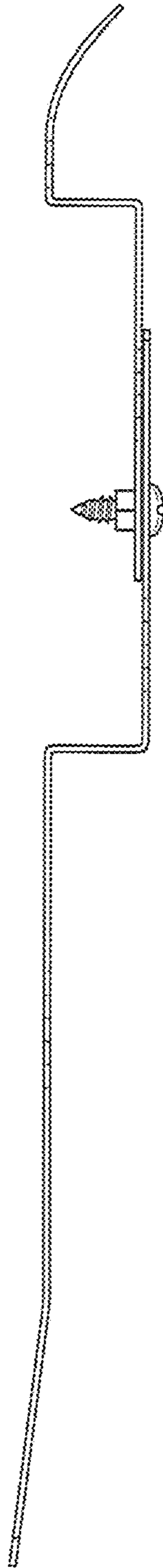


FIG. 4

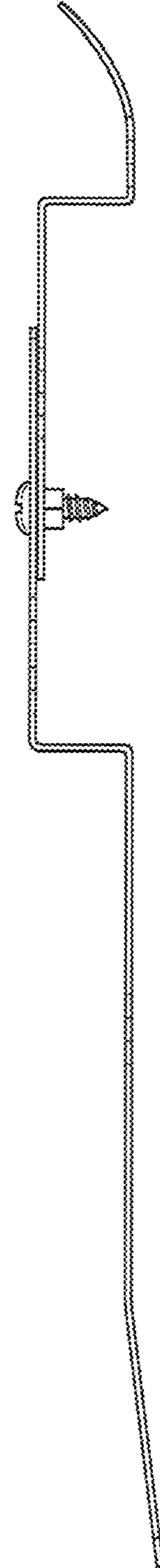


FIG. 5

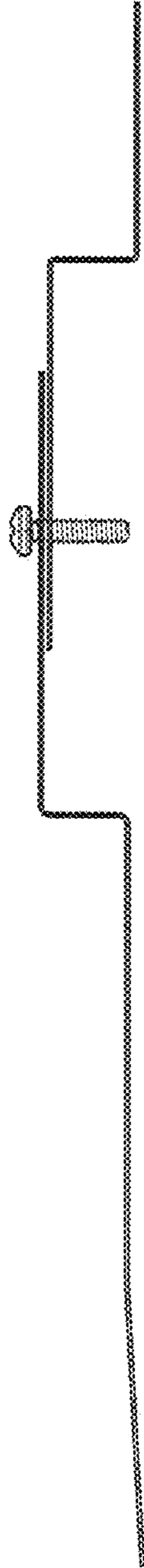


FIG. 6

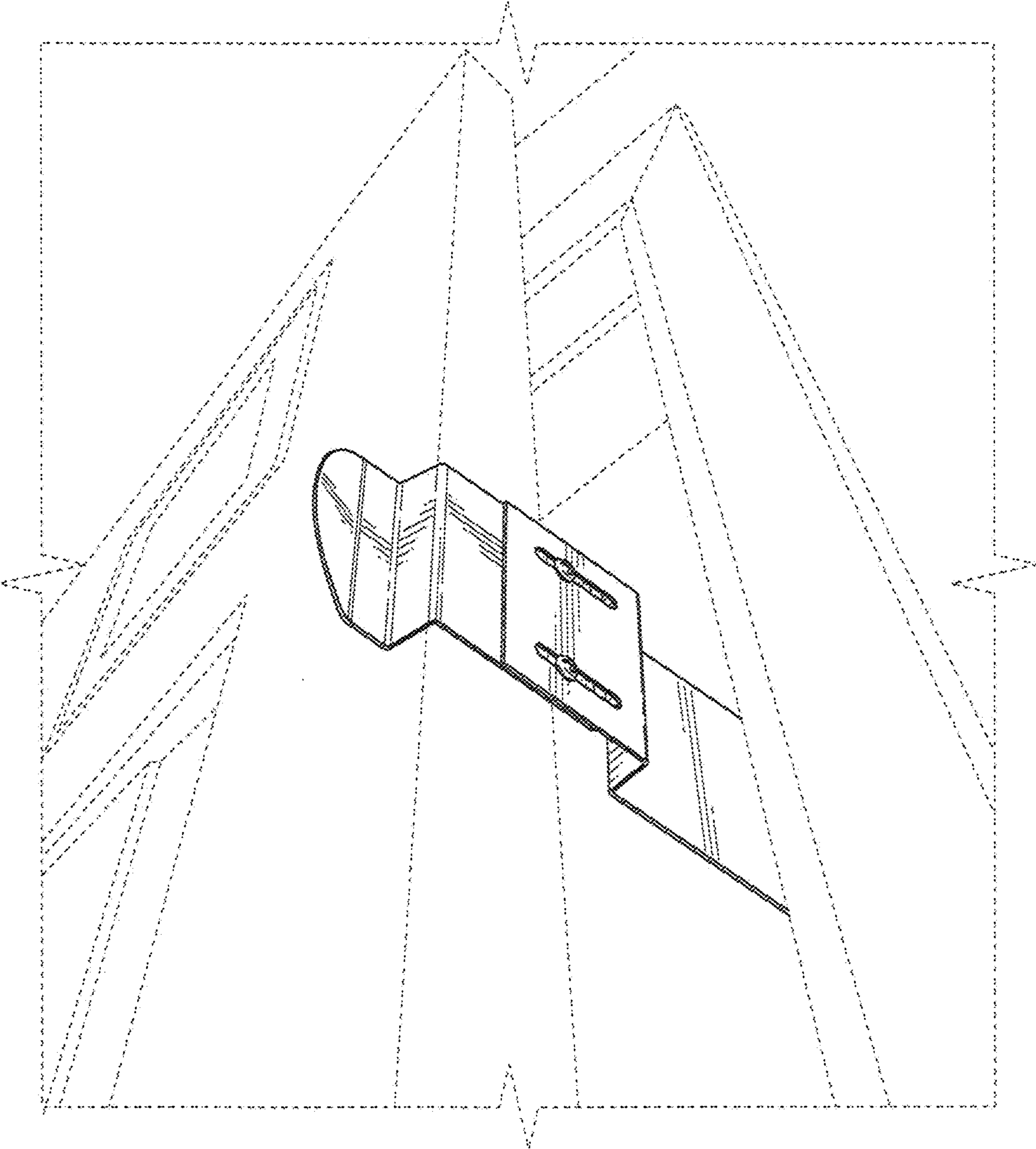


FIG. 7