



US00D979389S

(12) **United States Design Patent** (10) **Patent No.:** **US D979,389 S**
Ishida (45) **Date of Patent:** **** Feb. 28, 2023**

(54) **STRUCTURAL MATERIAL CONNECTION BRACKET**

D272,987 S * 3/1984 Allen D8/354
D286,597 S * 11/1986 Hughes D8/382
5,102,254 A * 4/1992 Yeh E04B 1/585
403/174
D358,085 S * 5/1995 Siragusa, Jr. D8/382
5,651,630 A * 7/1997 Nomura F16B 7/187
403/219
5,794,897 A * 8/1998 Jobin H02G 7/053
248/68.1

(71) Applicant: **SUS Co., Ltd.**, Shizuoka (JP)

(72) Inventor: **Yasuo Ishida**, Shizuoka (JP)

(73) Assignee: **SUS CO., LTD.**, Shizuoka (JP)

(**) Term: **15 Years**

(21) Appl. No.: **35/514,316**

(22) Filed: **Nov. 20, 2021**

(80) **Hague Agreement Data**

Int. Filing Date: **Nov. 20, 2021**

Int. Reg. No.: **DM/218176**

Int. Reg. Date: **Nov. 20, 2021**

Int. Reg. Pub. Date: **May 20, 2022**

(30) **Foreign Application Priority Data**

May 25, 2021 (JP) 2021-010942

Nov. 10, 2021 (JP) 2021-024524

(51) **LOC (14) Cl.** **08-08**

(52) **U.S. Cl.**
USPC **D8/382**

(58) **Field of Classification Search**
USPC D25/133, 134, 135; D8/382, 354, 394
CPC .. F16B 37/045; F16B 7/187; F16B 2200/205;
F16B 7/0493; E04B 2/766; E04B
2001/5881; E04B 1/5831; E04B
2001/5875

See application file for complete search history.

(56) **References Cited**

U.S. PATENT DOCUMENTS

3,574,367 A * 4/1971 Jankowski B62D 33/044
403/201

D260,854 S * 9/1981 Sergeant D8/382

(Continued)

FOREIGN PATENT DOCUMENTS

KR 300980882.0000 * 11/2018

KR 300980888.0000 * 11/2018

(Continued)

Primary Examiner — Sheryl Lane

Assistant Examiner — Ieisha N Price

(74) *Attorney, Agent, or Firm* — Manabu Kanesaka

(57) **CLAIM**

The ornamental design for a structural material connection bracket, as shown and described.

DESCRIPTION

1. Structural material connection bracket

1.1: Front

1.2: Back

1.3: Right

1.4 : Left

1.5: Top

1.6: Bottom

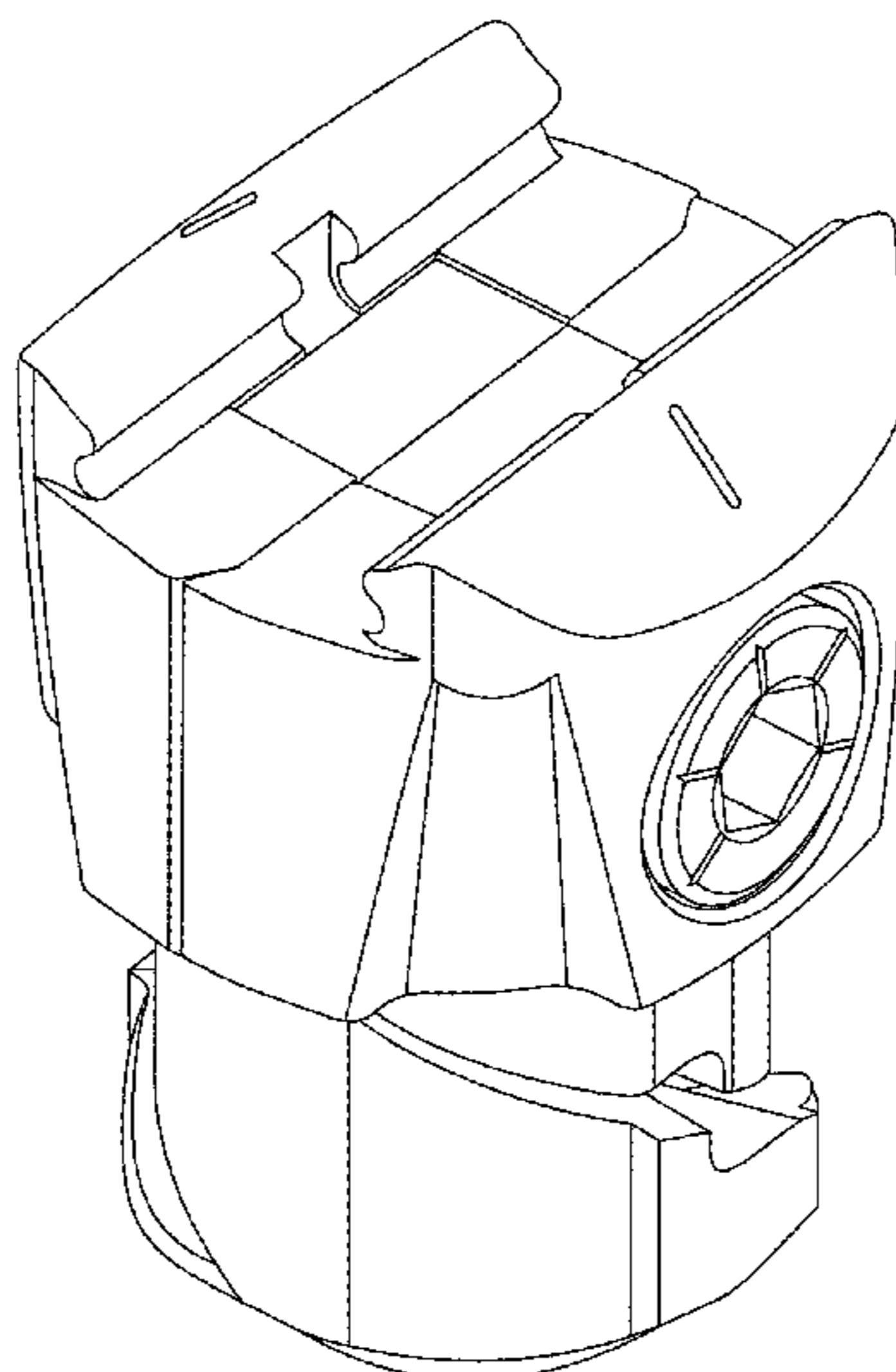
1.7: Cross sectional

1.8: Perspective

1.9: Perspective

1.10: Reference cross sectional view shown in its state of use
Fig. 1.7 is a cross sectional view taken along line A-A of Fig. 1.1; Fig. 1.10 is the cross sectional view of Fig. 1.7 shown in its state of use; the structural material shown in broken lines illustrates the environment of the claimed design and forms no part thereof.

1 Claim, 10 Drawing Sheets



(56)

References Cited

U.S. PATENT DOCUMENTS

D455,950 S * 4/2002 Unwin D23/262
 6,505,453 B1 * 1/2003 Rixen E04B 2/766
 403/255
 D480,298 S * 10/2003 Skovronski D8/394
 D594,317 S * 6/2009 Anthony D8/382
 8,366,340 B2 * 2/2013 Munakata F16B 37/045
 403/231
 D703,031 S * 4/2014 Thach D8/382
 9,151,074 B2 * 10/2015 Walters A01K 3/00
 D745,380 S * 12/2015 Williams D8/394
 D767,983 S * 10/2016 Jiang D8/394
 D851,484 S * 6/2019 Veilleux D8/382
 D909,193 S * 2/2021 Canavarro A47G 5/00
 D8/394
 11,336,222 B1 * 5/2022 Garza H02S 30/00

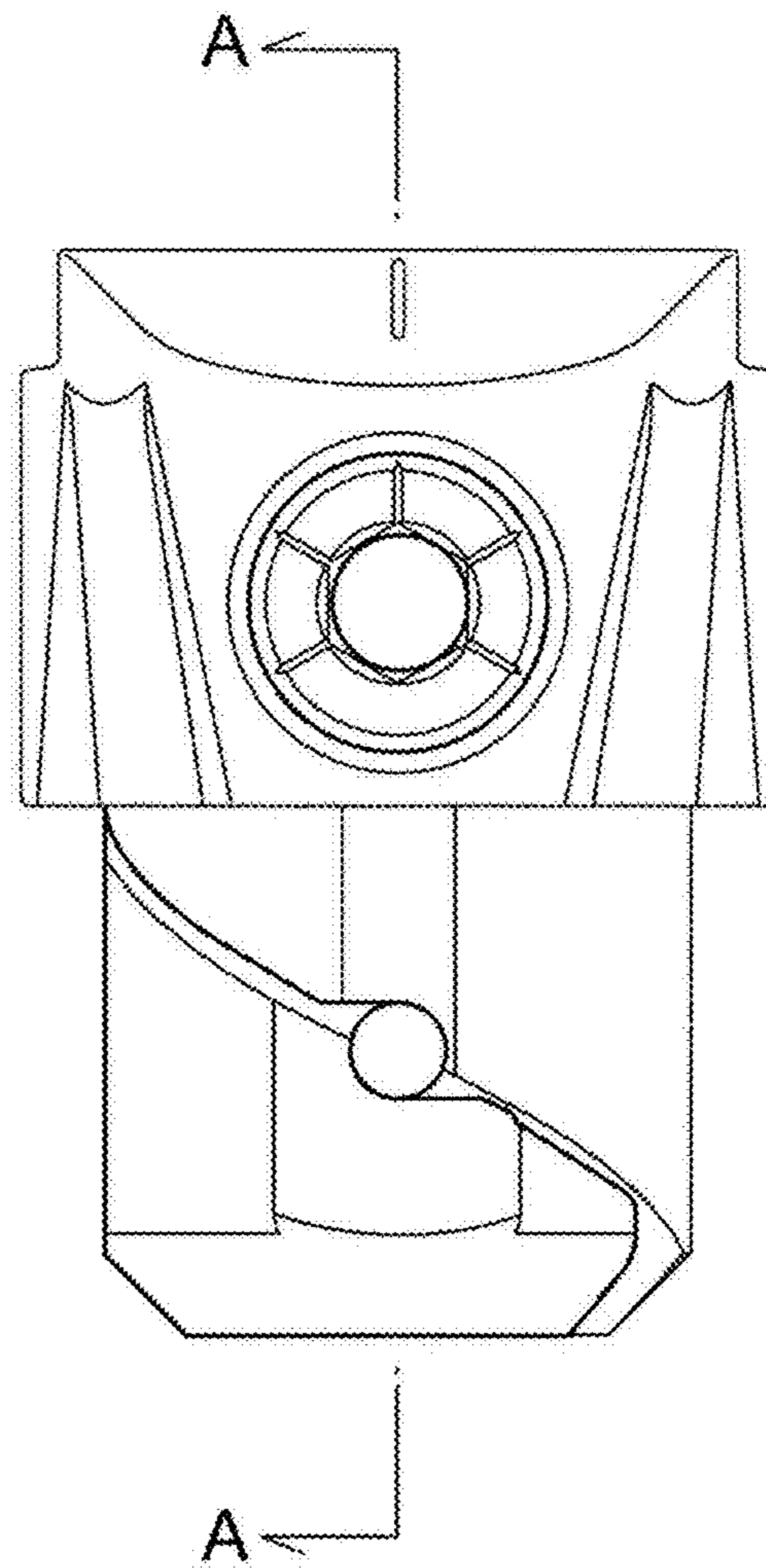
2003/0036314 A1 * 2/2003 Schmalzhofer F16B 7/187
 439/680
 2004/0136782 A1 * 7/2004 Rixen F16B 7/0446
 403/382
 2004/0258472 A1 * 12/2004 Petratto F16B 7/0493
 403/400
 2006/0115321 A1 * 6/2006 Maffeis E04C 3/06
 403/253
 2006/0255225 A1 * 11/2006 Nicoletti F16B 7/0473
 248/316.7
 2010/0229496 A1 * 9/2010 Munakata F16B 37/045
 52/705

FOREIGN PATENT DOCUMENTS

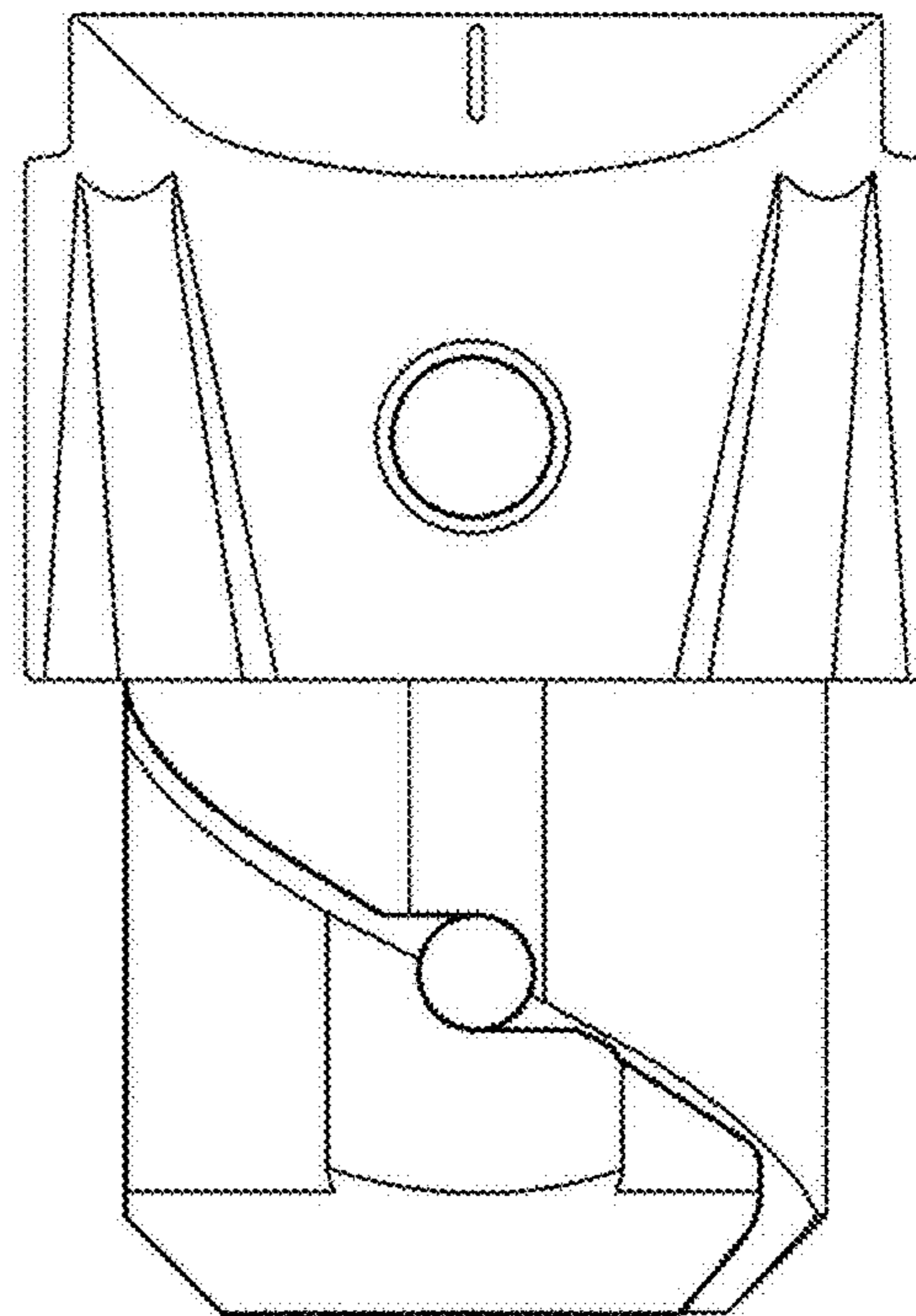
KR 300980889.0000 * 11/2018
 KR 300980890.0000 * 11/2018
 KR 300980891.0000 * 11/2018

* cited by examiner

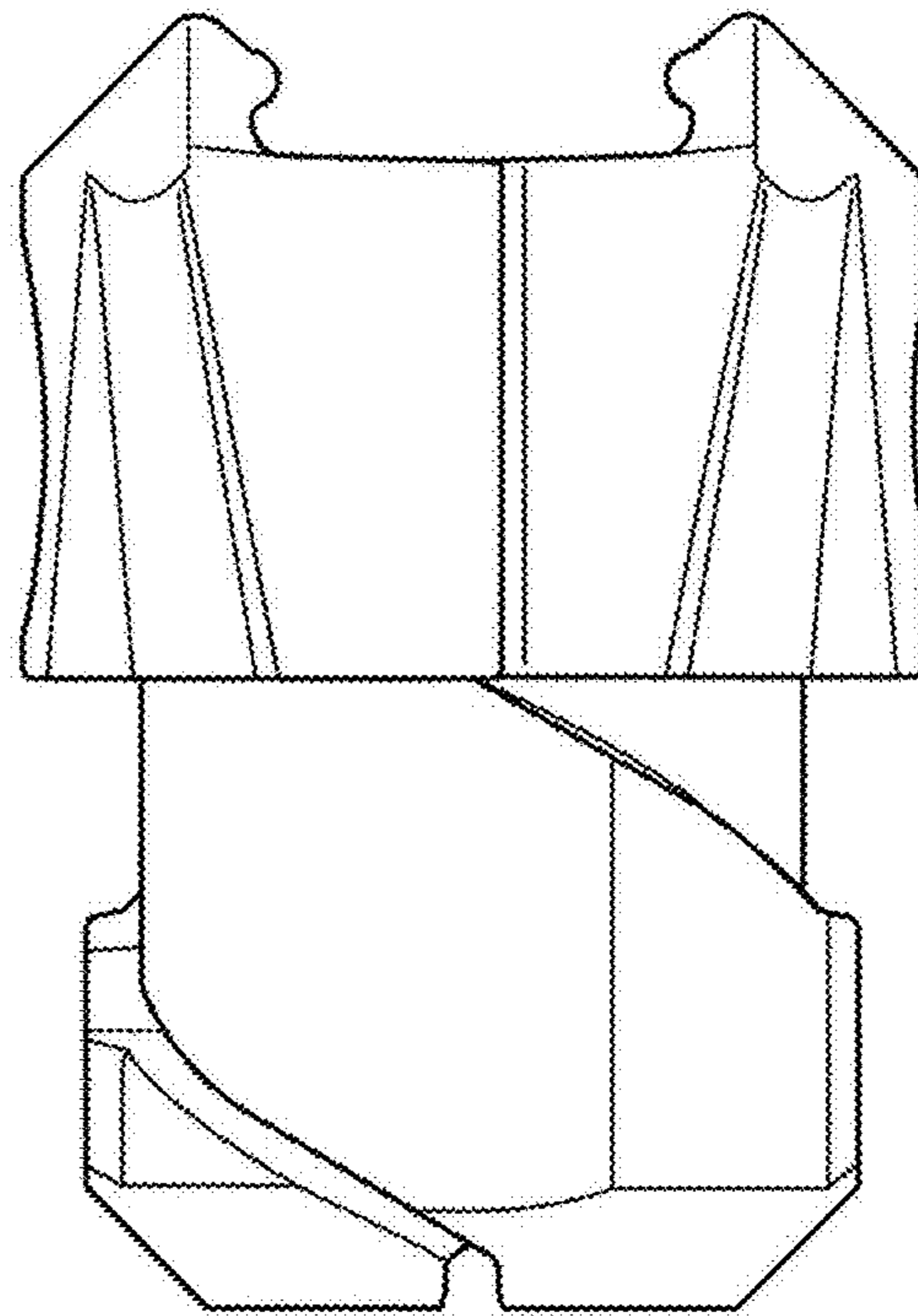
1.1



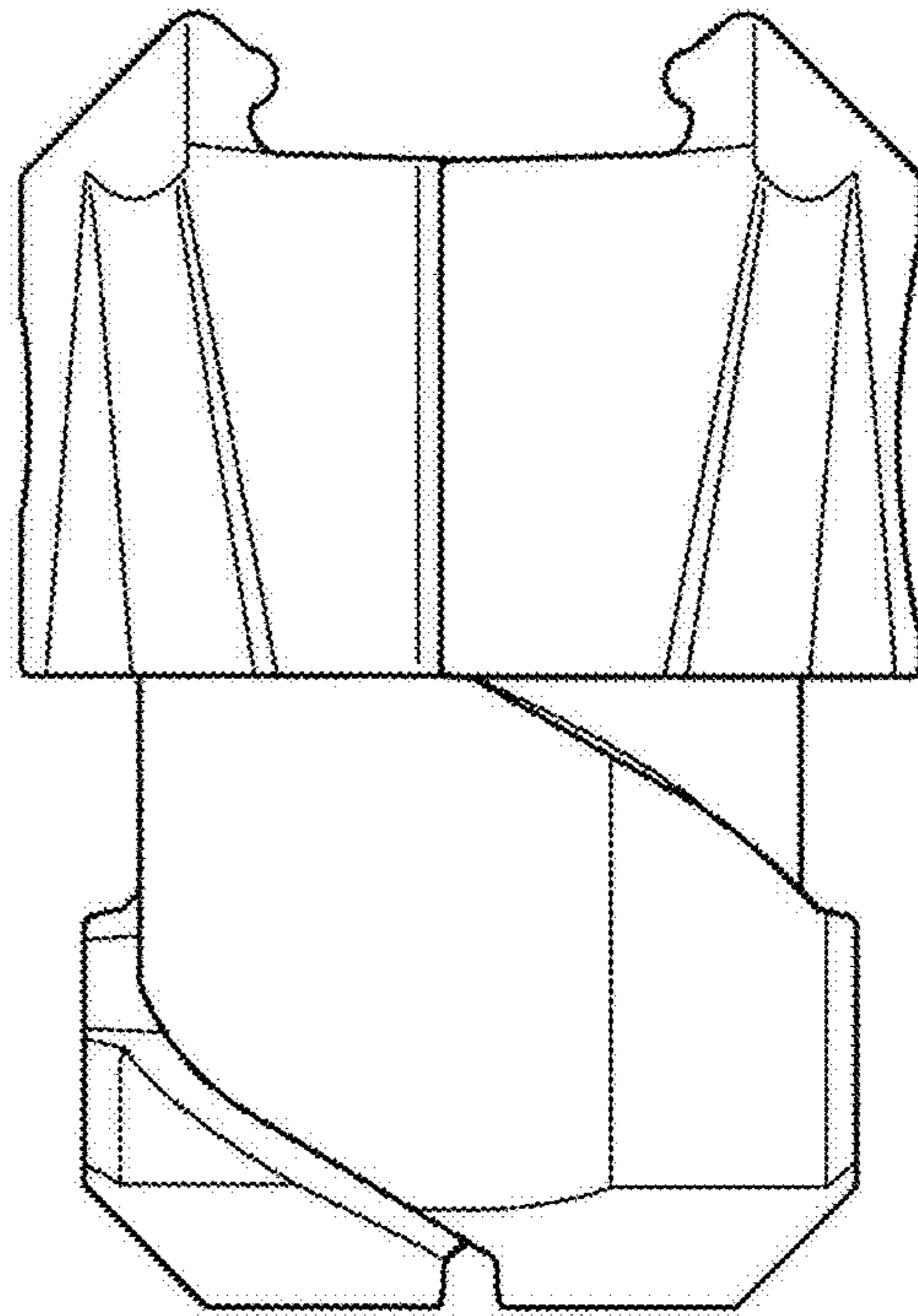
1.2



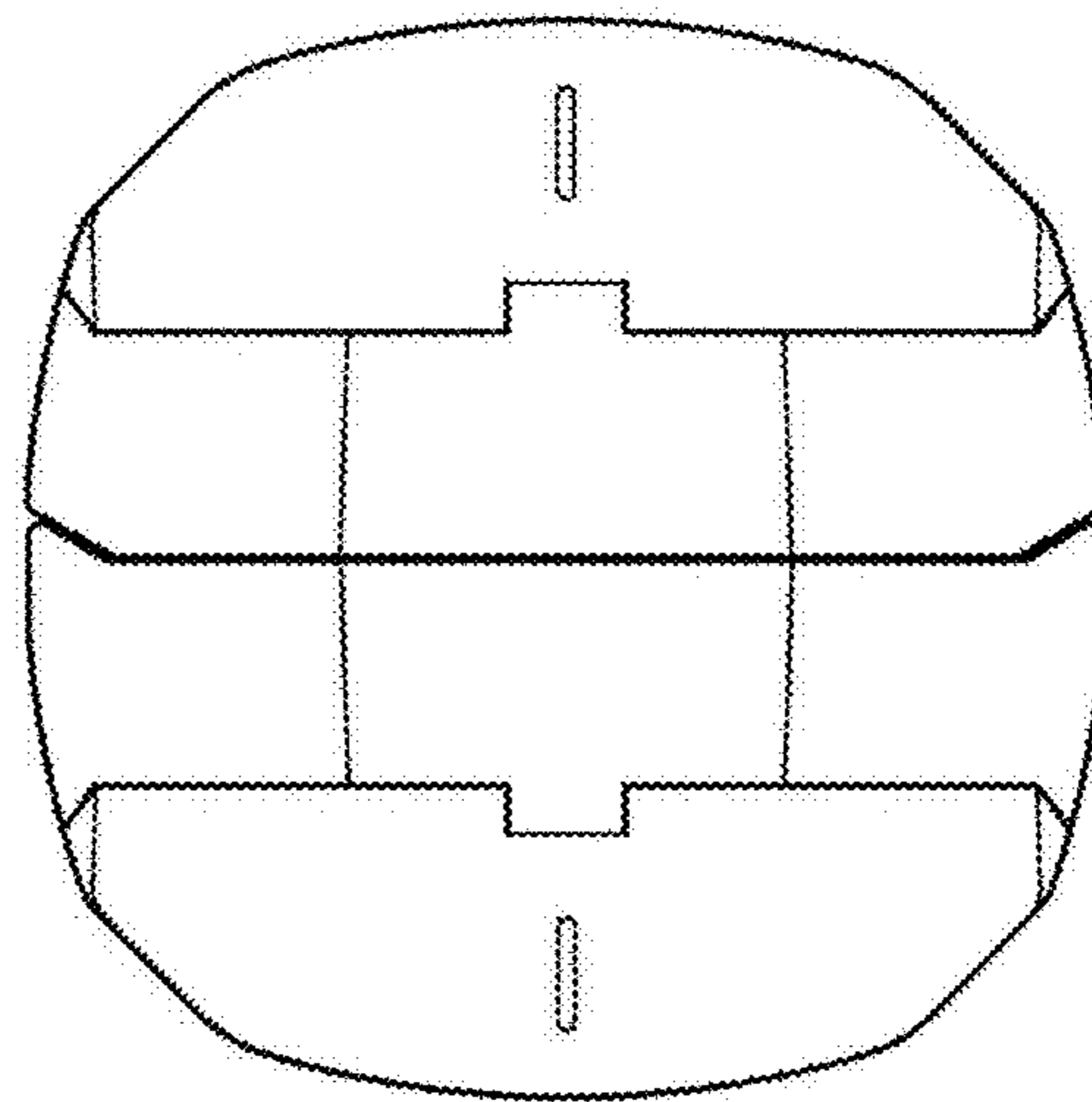
1.3



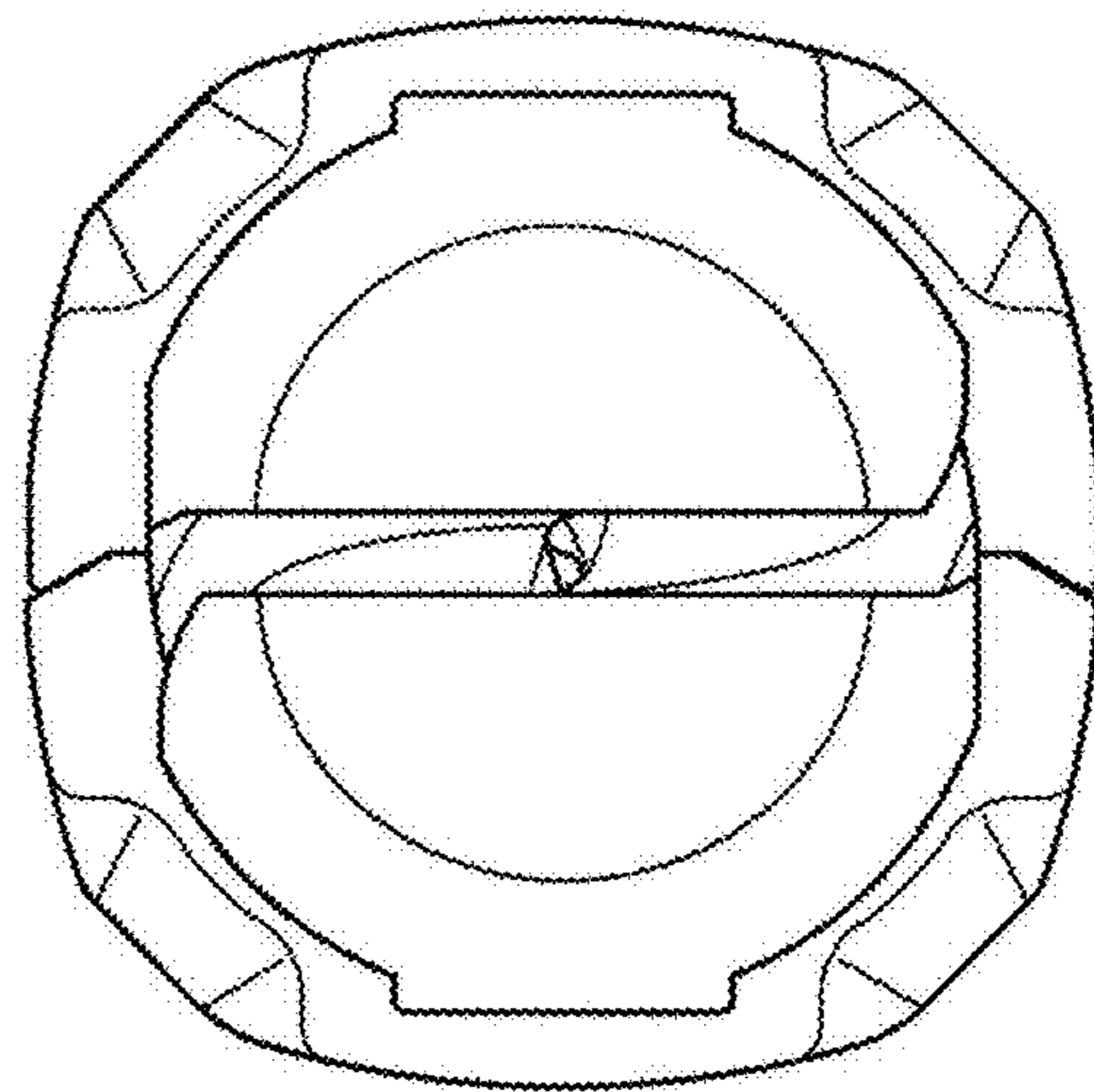
1.4



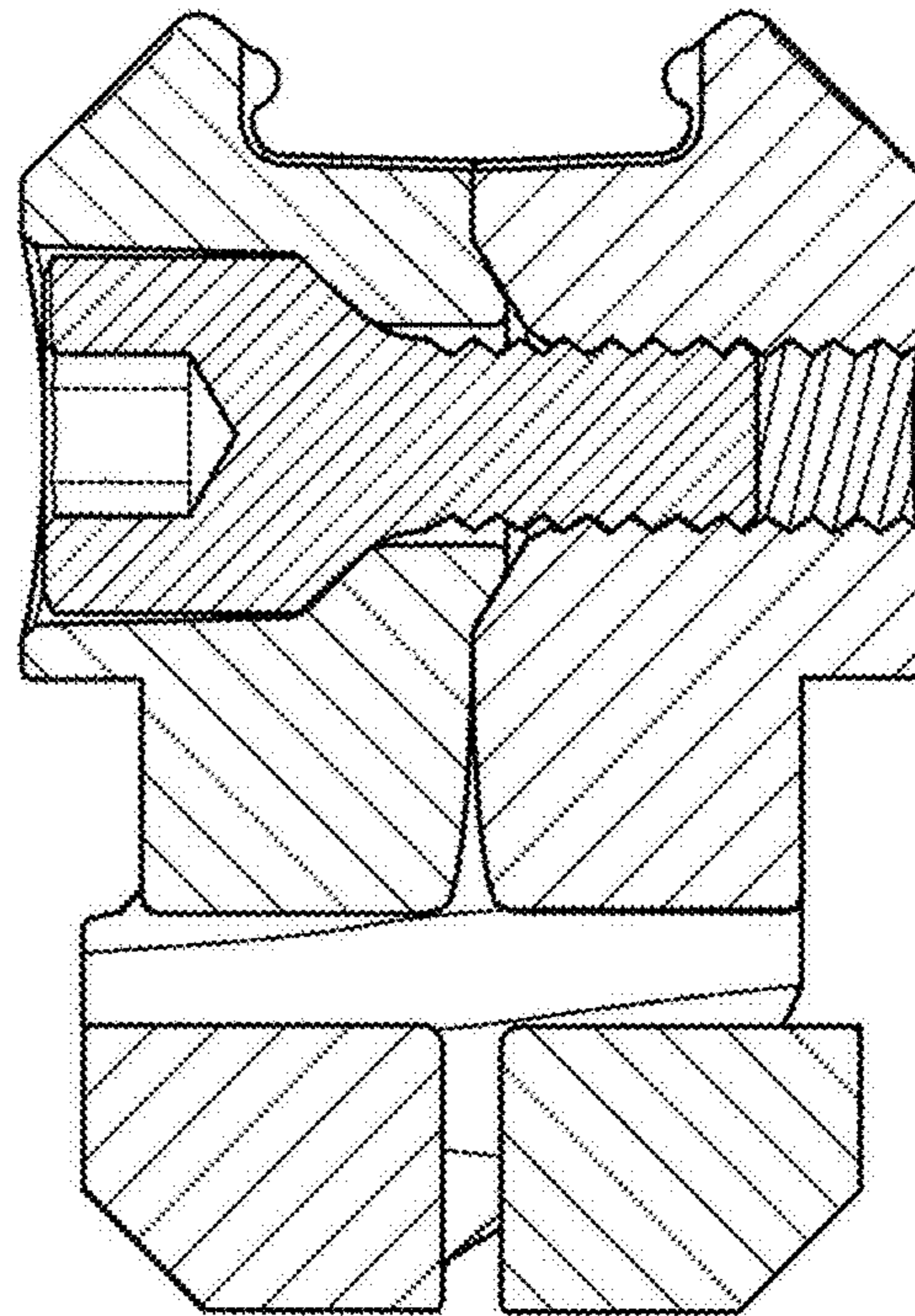
1.5



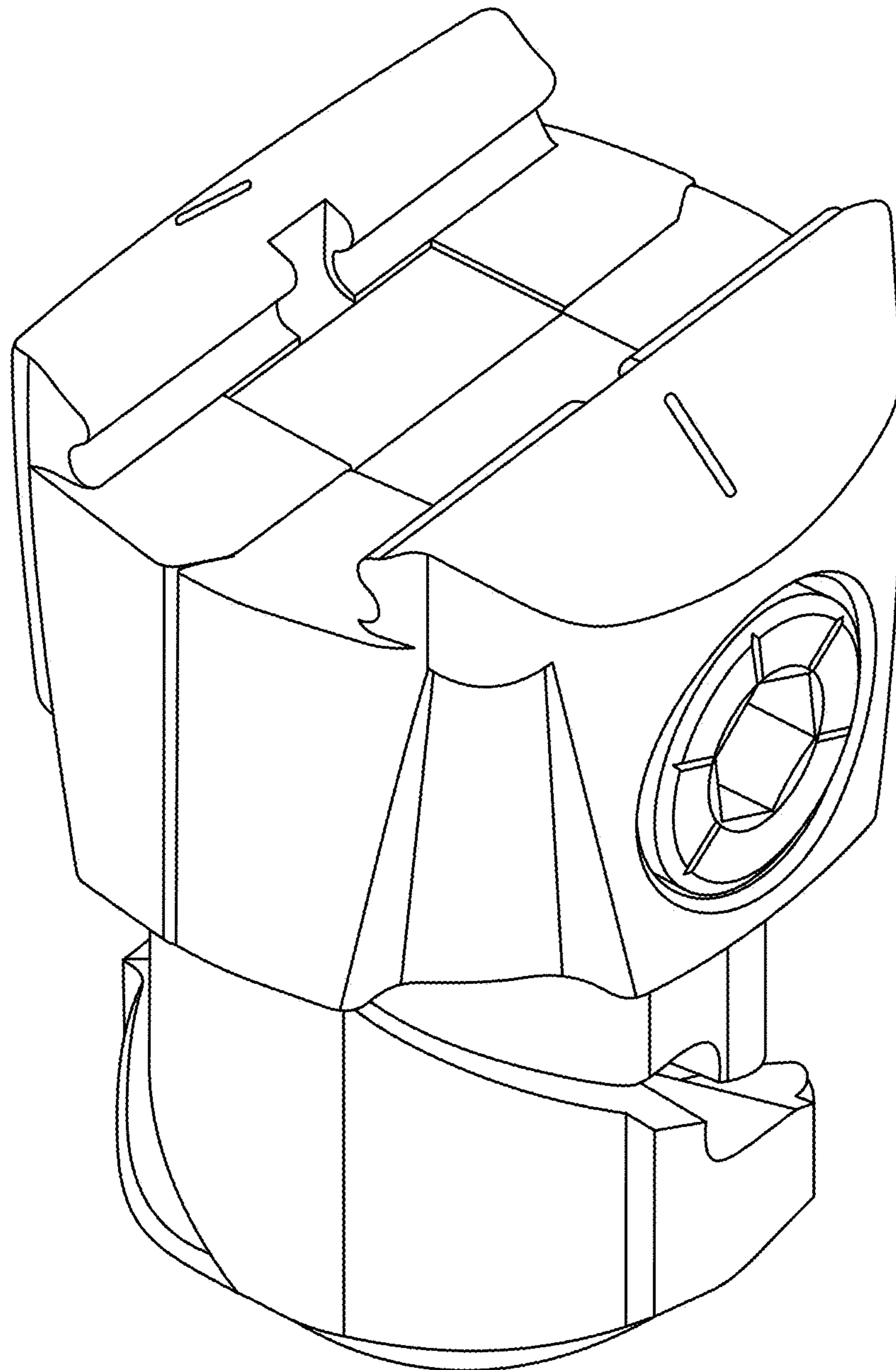
1.6



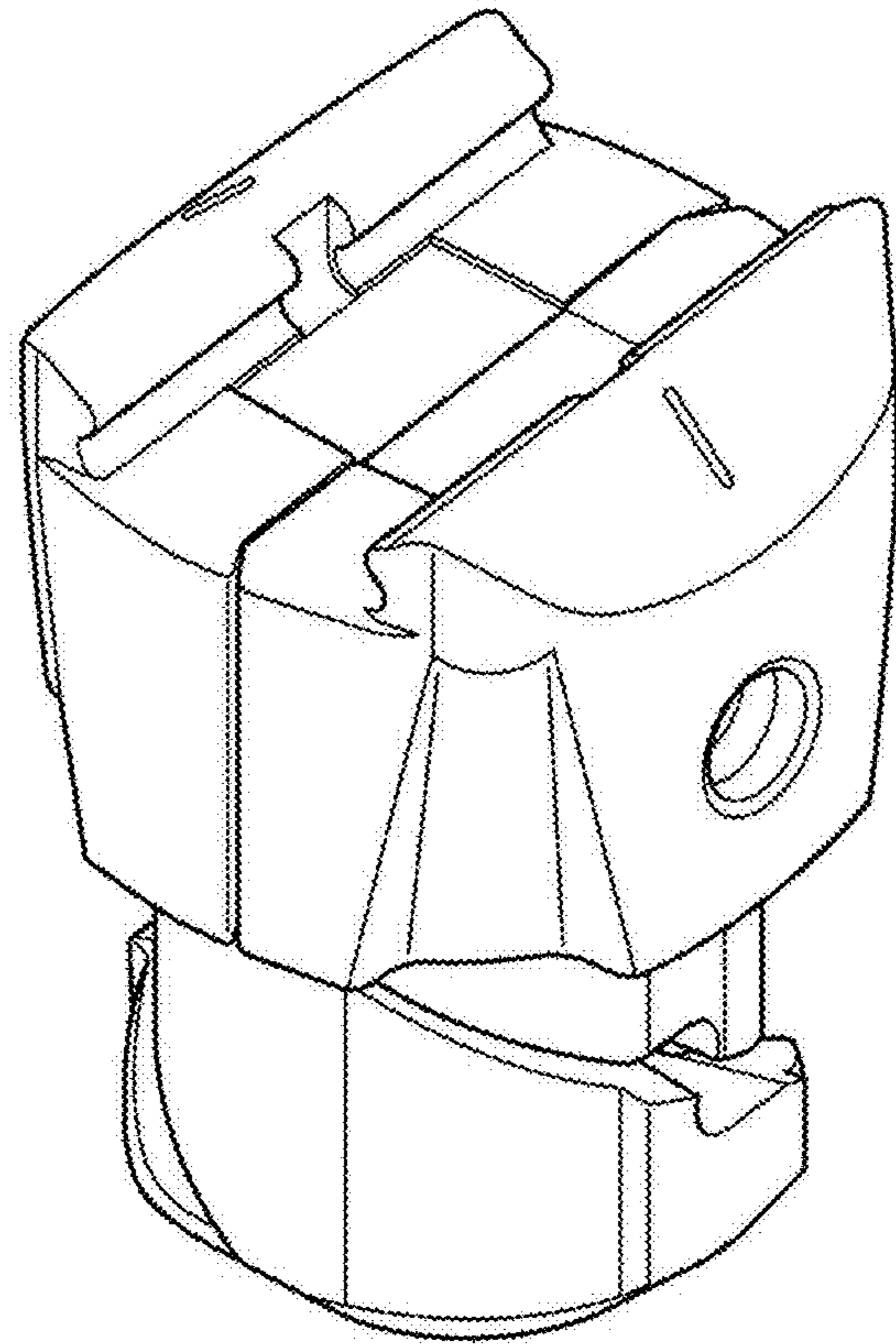
1.7



1.8



1.9



1.10

