



US00D979386S

(12) **United States Design Patent** (10) **Patent No.:** **US D979,386 S**
Chou (45) **Date of Patent:** **** Feb. 28, 2023**

(54) **UNIVERSAL JOINT**
(71) Applicant: **RE-DAI PRECISION TOOLS CO., LTD.**, Taichung (TW)
(72) Inventor: **Yi-Chiu Chou**, Taichung (TW)
(73) Assignee: **RE-DAI PRECISION TOOLS CO., LTD.**, Taichung (TW)
(**) Term: **15 Years**
(21) Appl. No.: **29/780,825**
(22) Filed: **Apr. 27, 2021**
(30) **Foreign Application Priority Data**

Jan. 5, 2021 (TW) 110300028
(51) **LOC (14) Cl.** **08-08**
(52) **U.S. Cl.**
USPC **D8/382**
(58) **Field of Classification Search**
USPC D8/14, 303, 308, 309, 382, 397;
D21/797, 824, 826, 829, 668, 669;
D15/148
CPC E21B 17/05; Y10T 403/32041
See application file for complete search history.

(56) **References Cited**

U.S. PATENT DOCUMENTS

D217,503 S * 5/1970 Merritt D23/265
D445,120 S * 7/2001 Parsons D15/148

D498,568 S * 11/2004 Colman D32/25
D504,061 S * 4/2005 Fisher D8/382
D529,294 S * 10/2006 Van Landingham, Jr. D8/382
D664,032 S * 7/2012 Su D8/382
D698,637 S * 2/2014 Su D8/397
D959,256 S * 8/2022 Su D8/397

* cited by examiner

Primary Examiner — Michael C Stout

Assistant Examiner — Fitzgerald L Butac

(74) *Attorney, Agent, or Firm* — Karin L. Williams; Alan D. Kamrath; Mayer & Williams PC

(57) **CLAIM**

The ornamental design for an universal joint, as shown and described.

DESCRIPTION

FIG. 1 is a perspective view of an universal joint showing my new design;

FIG. 2 is a front view thereof;

FIG. 3 is a rear view thereof;

FIG. 4 is a left view thereof;

FIG. 5 is a right view thereof;

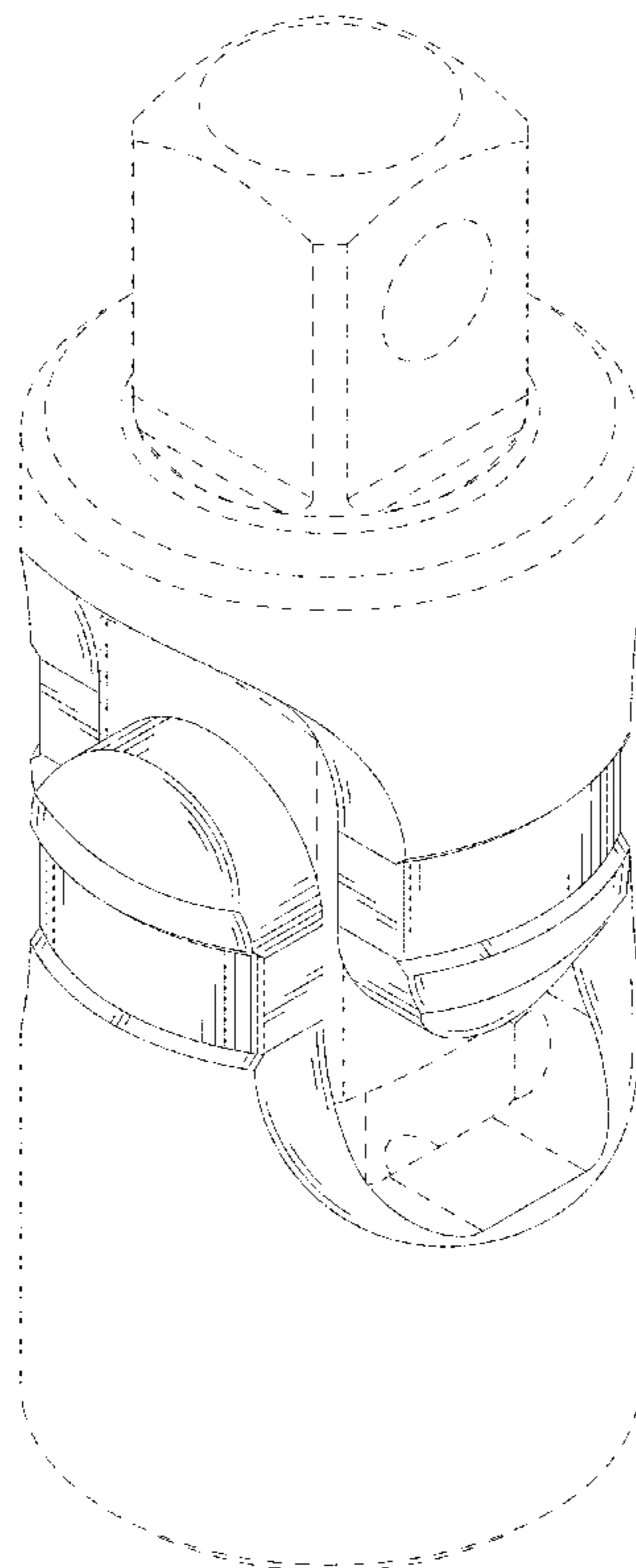
FIG. 6 is a top view thereof; and,

FIG. 7 is a bottom view thereof.

The broken lines depict portions of the universal joint in which the design is embodied that are not considered part of the claimed design.

The “dash-dot” broken lines show the bounds of the claimed design and form no parts thereof.

1 Claim, 7 Drawing Sheets



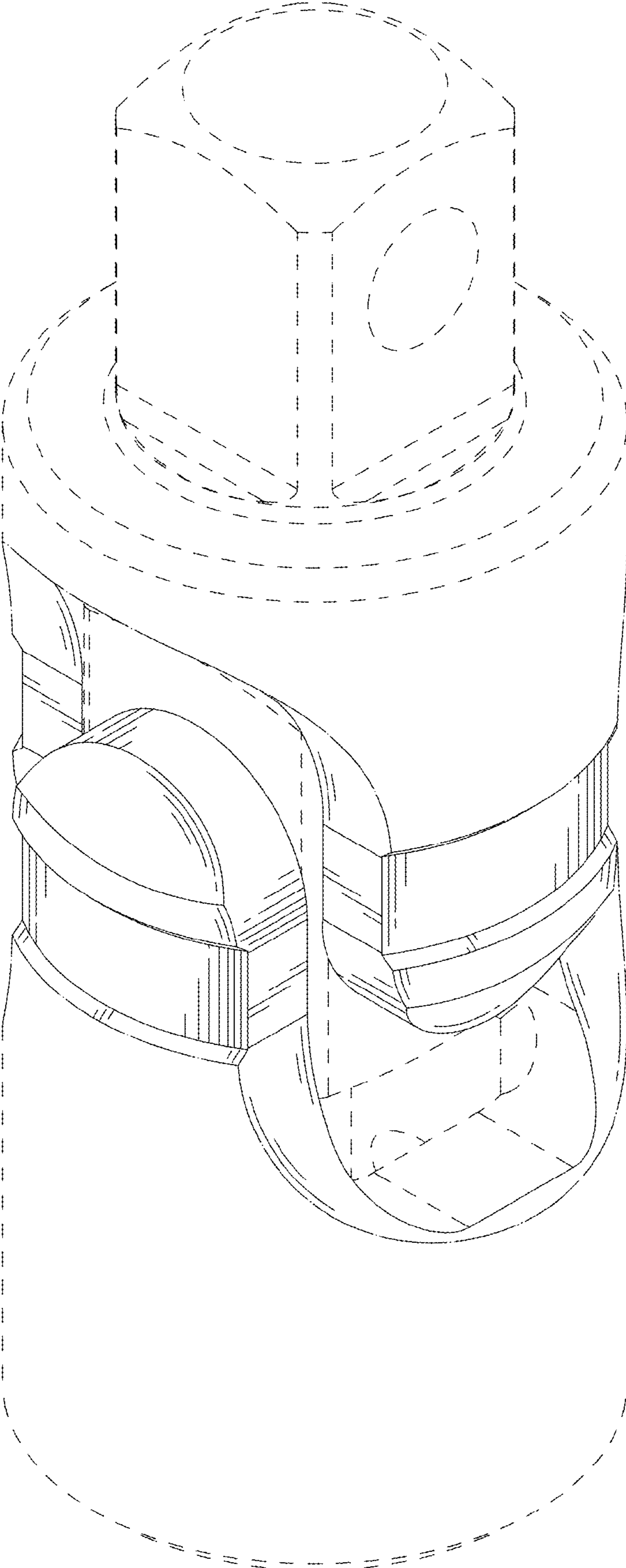


FIG. 1

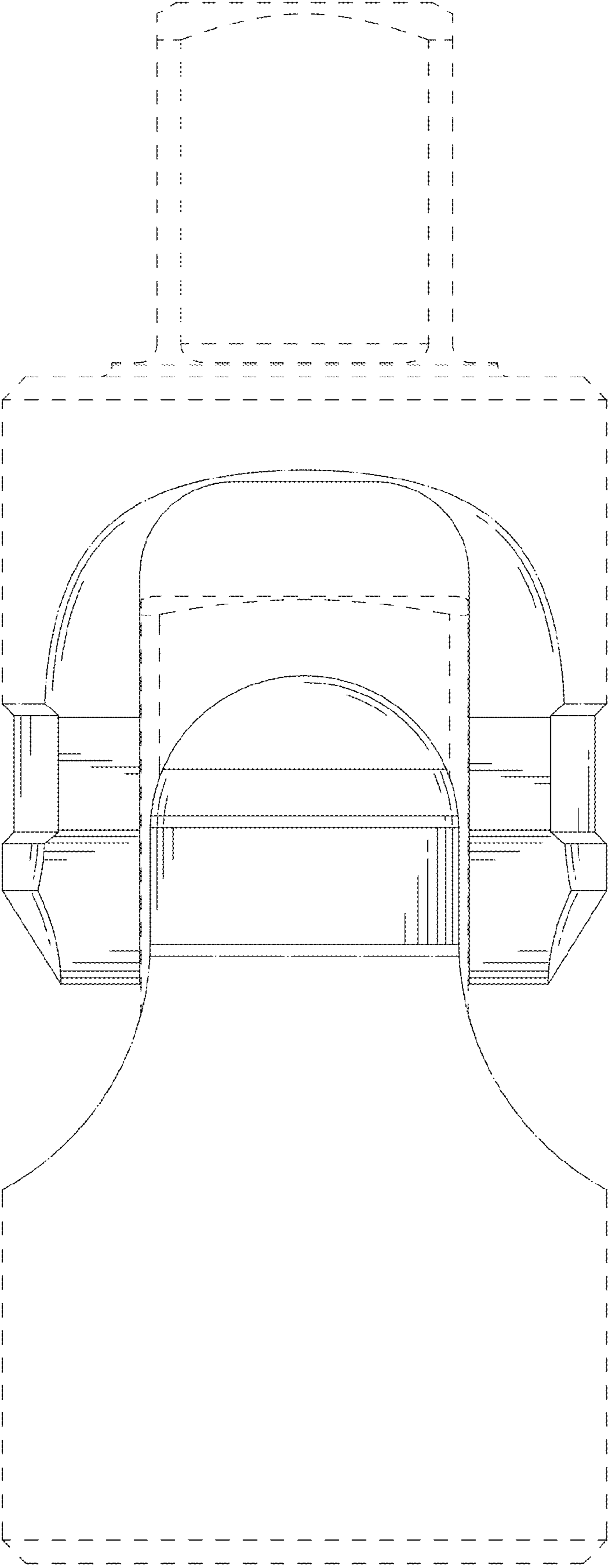


FIG. 2

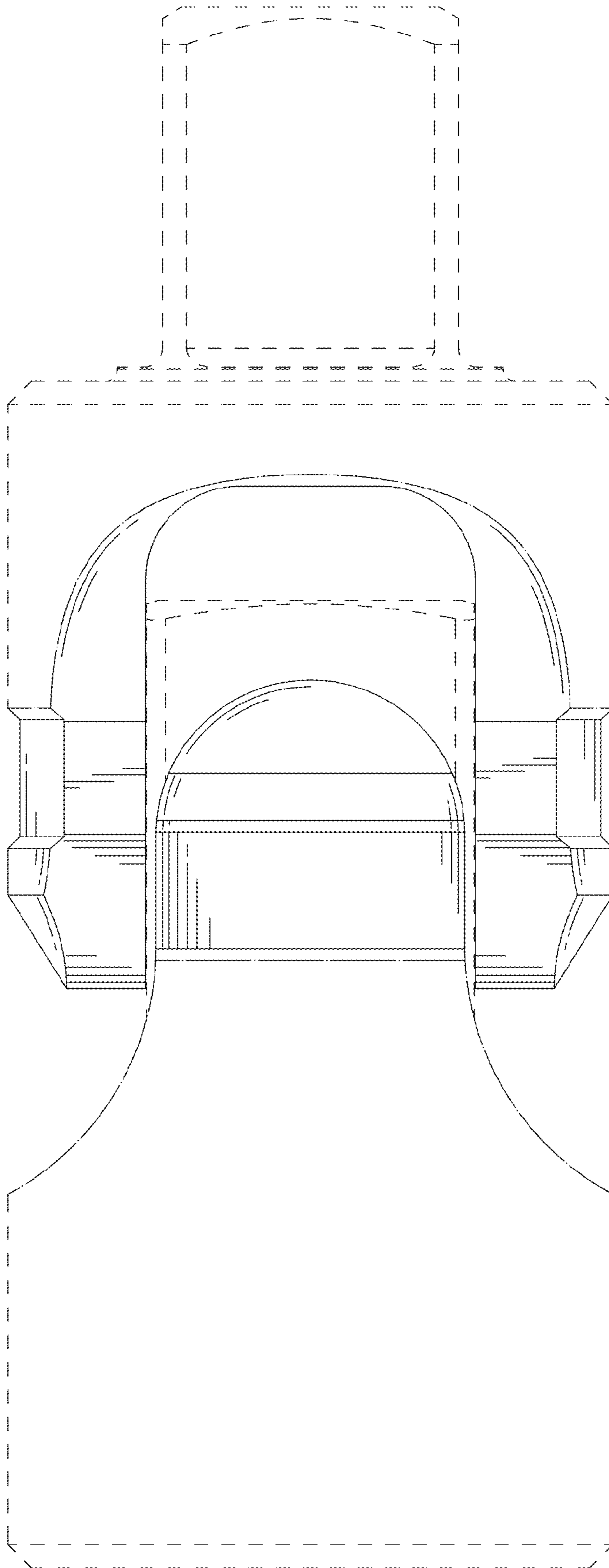


FIG. 3

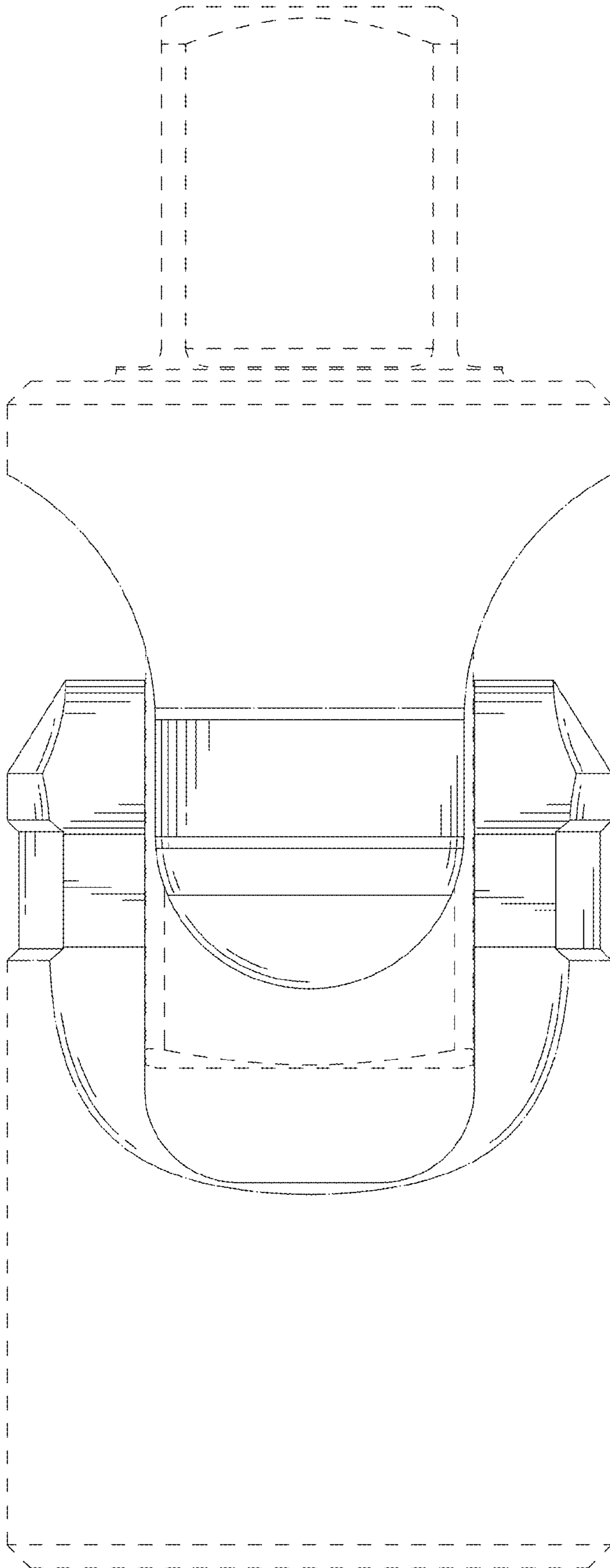


FIG. 4

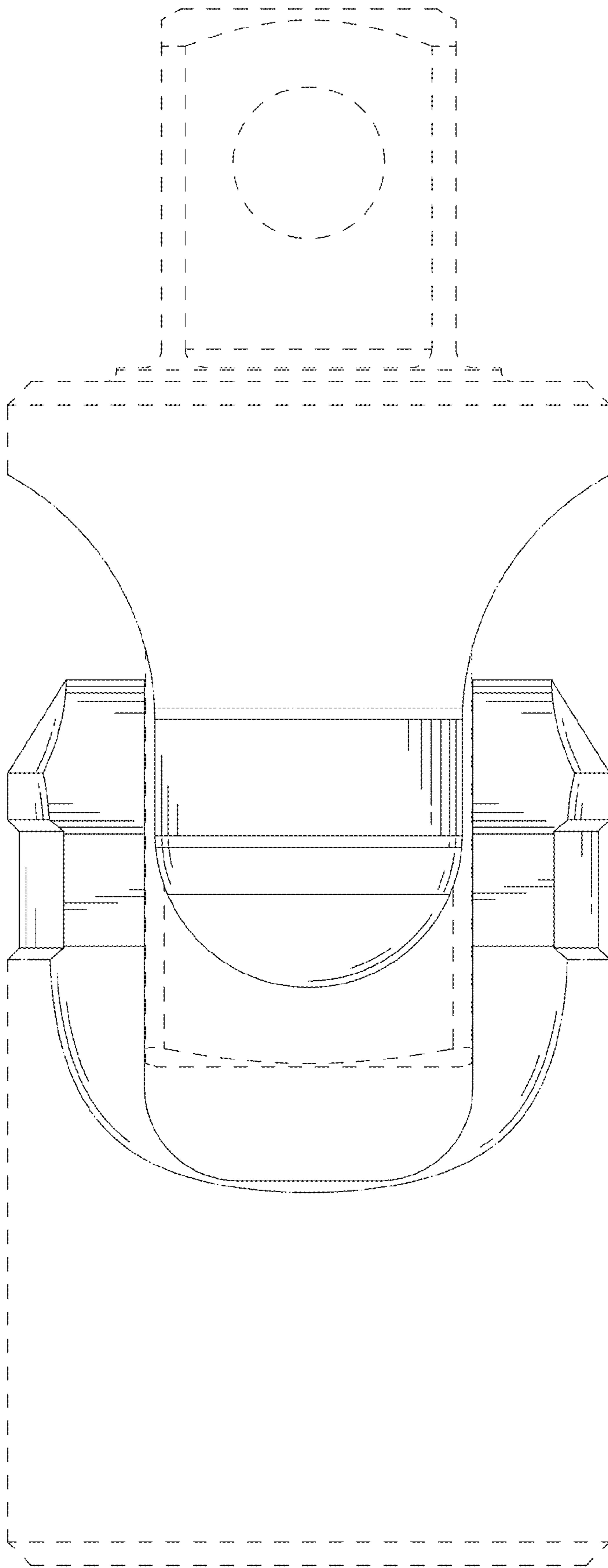


FIG. 5

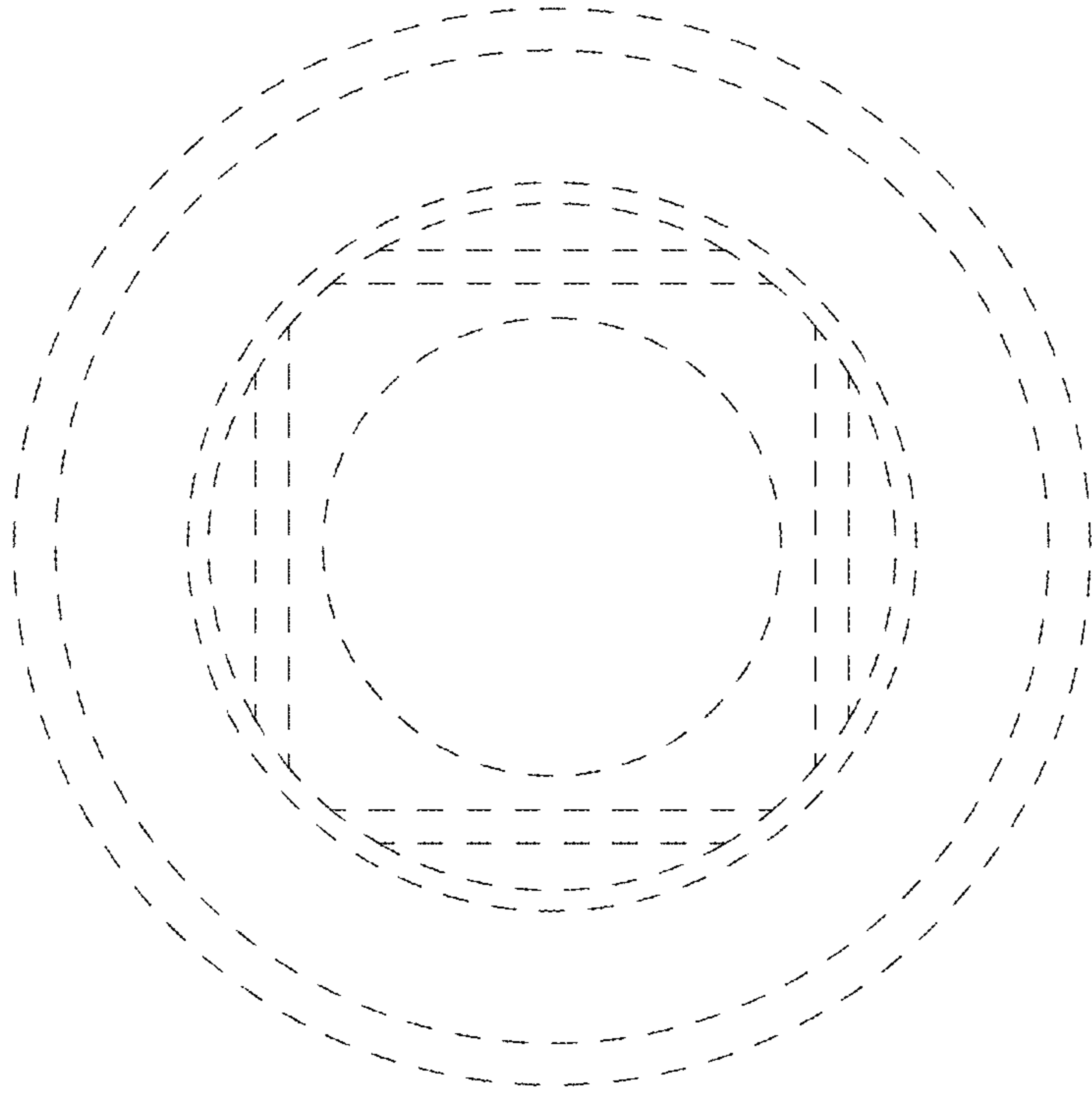


FIG. 6

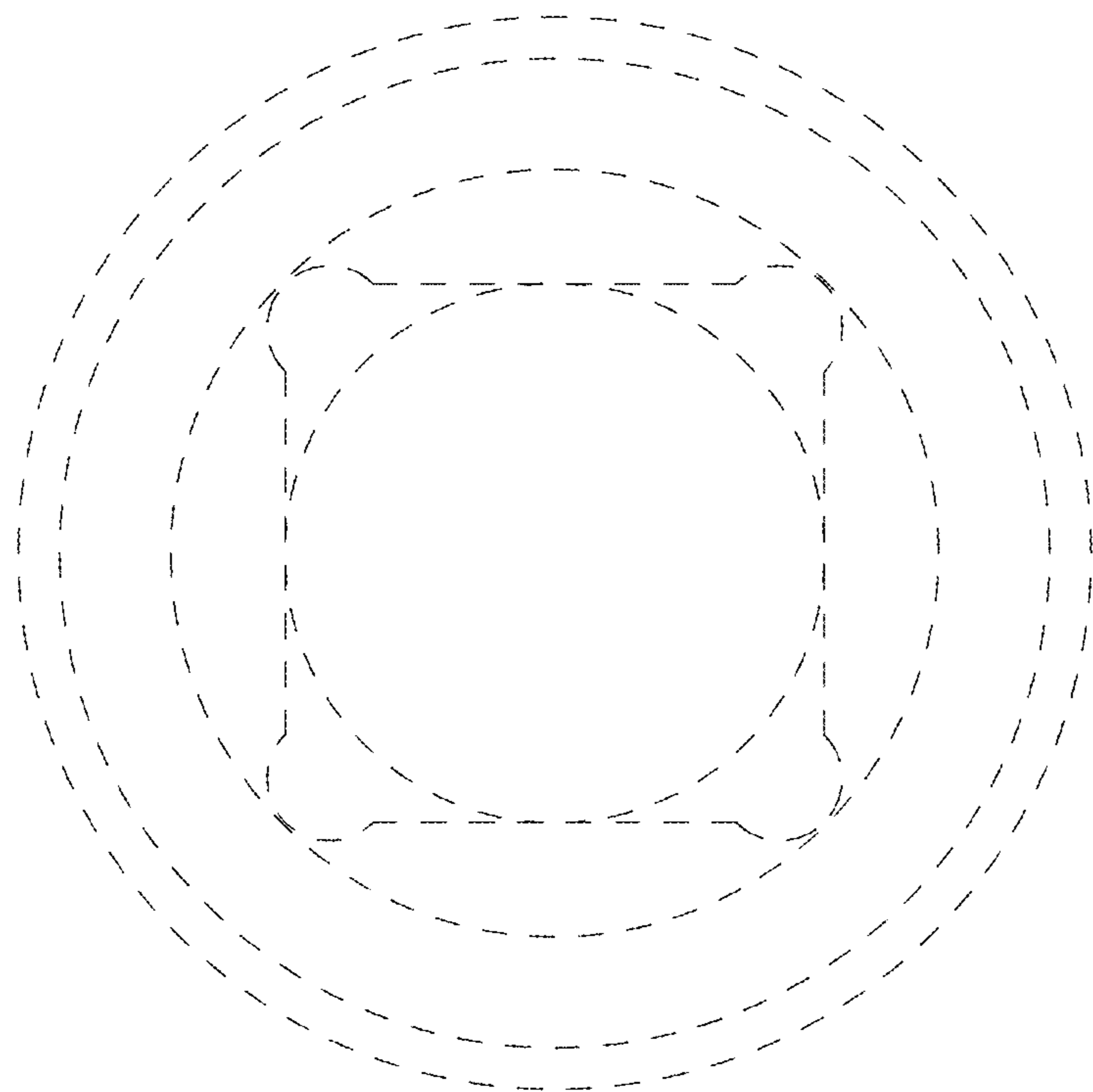


FIG. 7