



US00D979384S

(12) **United States Design Patent**
Hamada et al.

(10) **Patent No.:** **US D979,384 S**
(45) **Date of Patent:** **** Feb. 28, 2023**

(54) **WALL BOARD ATTACHMENT LUG**

(71) Applicant: **Nichiha Corporation**, Nagoya (JP)

(72) Inventors: **Kohei Hamada**, Nagoya (JP); **Ryohei Tatsuki**, Nagoya (JP)

(73) Assignee: **NICHIHA CORPORATION**, Nagoya (JP)

(**) Term: **15 Years**

(21) Appl. No.: **29/832,217**

(22) Filed: **Mar. 25, 2022**

Related U.S. Application Data

(63) Continuation of application No. 29/752,946, filed on Sep. 29, 2020, now abandoned.

(30) **Foreign Application Priority Data**

Jul. 22, 2020 (JP) 2020-015322 D

(51) **LOC (14) Cl.** **08-11**

(52) **U.S. Cl.**
USPC **D8/373**

(58) **Field of Classification Search**
USPC D8/354, 373-374, 366, 382, 358, 363, D8/380, 393, 375, 391, 70, 355-356, D8/364-365, 376-379, 381, 383-388, D8/394-396, 71, 349, 105, 61-62, 68; D25/102, 199
CPC A47F 5/0823; A47F 5/0853; A47F 5/0869; B25H 3/04
See application file for complete search history.

(56) **References Cited**

U.S. PATENT DOCUMENTS

D391,648 S 3/1998 Ibeck
6,315,489 B1 11/2001 Watanabe
D472,791 S 4/2003 Callahan et al.

6,830,405 B2 12/2004 Watanabe
D591,585 S 5/2009 Hikai
7,665,260 B2 2/2010 Hikai
D610,899 S * 3/2010 Hikai D8/382
D620,784 S * 8/2010 Hikai D8/382
D626,407 S * 11/2010 Tedesco D8/394

(Continued)

FOREIGN PATENT DOCUMENTS

CA 198520 * 9/2020
JP 200045484 A 2/2000

(Continued)

OTHER PUBLICATIONS

International Search Report for corresponding International Application No. PCT/JP2020/036903.

Primary Examiner — Karen S Acker
Assistant Examiner — Elizabeth S Ko

(74) *Attorney, Agent, or Firm* — Birch, Stewart, Kolasch & Birch, LLP

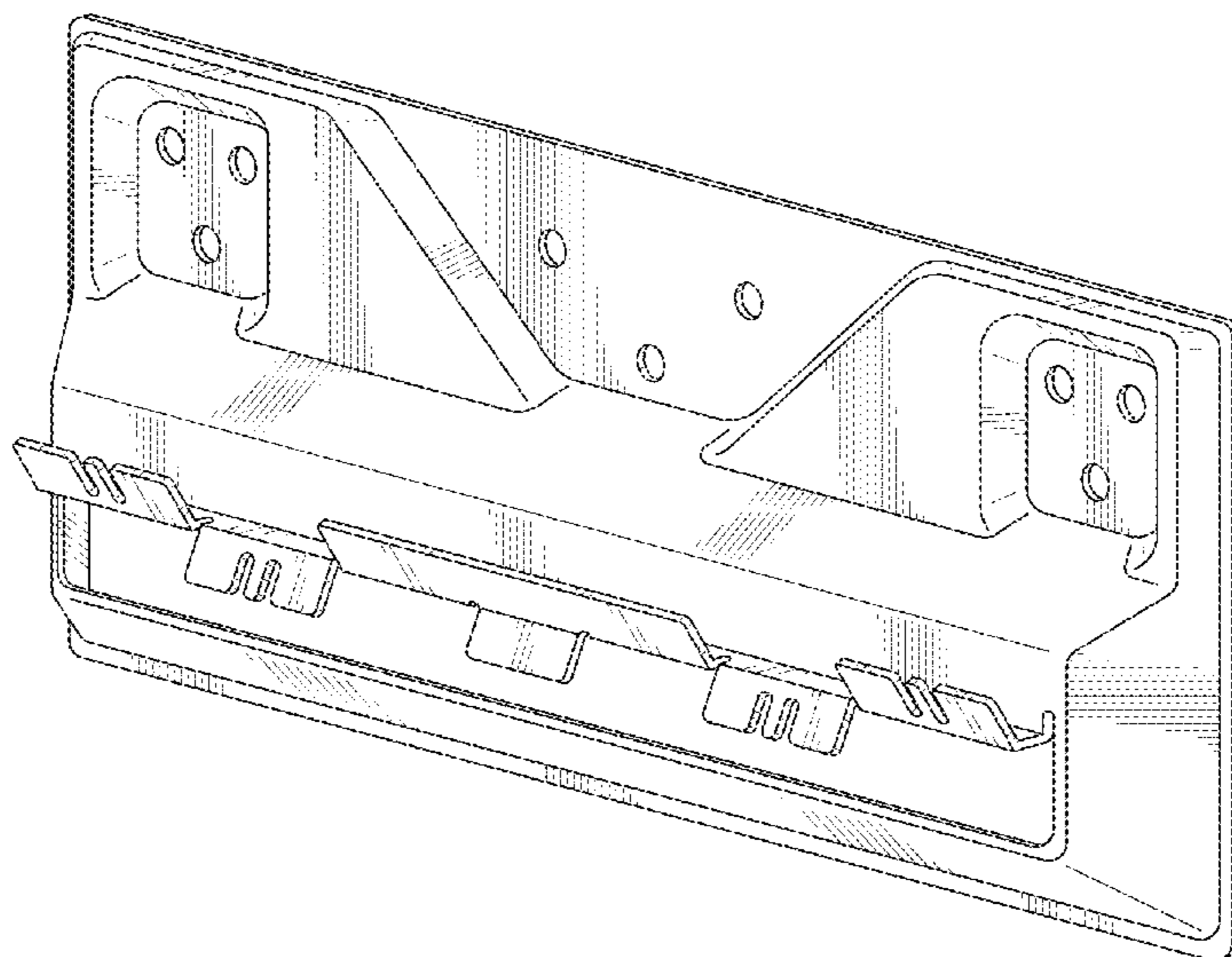
(57) **CLAIM**

The ornamental design for a wall board attachment lug, as shown and described.

DESCRIPTION

FIG. 1 is a front view of a wall board attachment lug; FIG. 2 is a back view thereof; FIG. 3 is a top plan view thereof; FIG. 4 is a bottom plan view thereof; FIG. 5 is a right side view thereof; FIG. 6 is a left side view thereof; FIG. 7 is a perspective view thereof; and, FIG. 8 is another perspective view of the wall board attachment lug of FIG. 1, shown in a configuration of use. The broken lines in FIG. 8 represent environmental subject matter only and form no part of the claimed design.

1 Claim, 8 Drawing Sheets



(56)

References Cited

U.S. PATENT DOCUMENTS

D646,559 S 10/2011 Near
 D649,015 S 11/2011 Honda
 D656,393 S 3/2012 Honda
 D664,029 S 7/2012 Mathur
 D682,079 S 5/2013 Chou
 D746,128 S 12/2015 Stanton
 9,470,000 B1 10/2016 Ochi
 D808,784 S * 1/2018 Suzuki D8/382
 D848,249 S * 5/2019 Suzuki D8/384
 D853,377 S * 7/2019 Crandon D8/349
 D876,203 S * 2/2020 Riner D8/354
 D884,929 S 5/2020 Prado
 D886,201 S * 6/2020 Kanter D21/333
 D920,082 S * 5/2021 Kellerman D8/354
 D925,338 S * 7/2021 Dedios-Shirley D8/354
 D948,991 S * 4/2022 Stoops D8/354
 D959,959 S * 8/2022 Houston B65D 85/68
 D8/354
 2003/0126820 A1 7/2003 Callahan et al.
 2005/0102944 A1 5/2005 Hikai
 2006/0272261 A1 12/2006 Ito
 2010/0122506 A1 5/2010 Kato et al.
 2012/0241574 A1 9/2012 Uota et al.
 2014/0199117 A1 7/2014 Kikuchi

2016/0040433 A1 2/2016 Sawada
 2016/0289976 A1 10/2016 Suzuki
 2017/0268237 A1 9/2017 Suzuki
 2018/0016797 A1 1/2018 Suzuki

FOREIGN PATENT DOCUMENTS

JP 200320772 A 1/2003
 JP 2004339714 A 12/2004
 JP 200516060 A 1/2005
 JP 2005133504 A 5/2005
 JP 2006257719 A 9/2006
 JP 2007321510 A 12/2007
 JP 2013245513 A 12/2013
 JP 20141535 A 1/2014
 JP 201574947 A 4/2015
 JP 2015194036 A 11/2015
 JP 2016102361 A 6/2016
 JP 1584637 S 8/2017
 JP 1585344 S 9/2017
 JP 2017166227 A 9/2017
 JP 2017166228 A 9/2017
 JP 2018127864 A 8/2018
 JP 2018150768 A 9/2018
 KR 3020210012063 * 3/2021

* cited by examiner

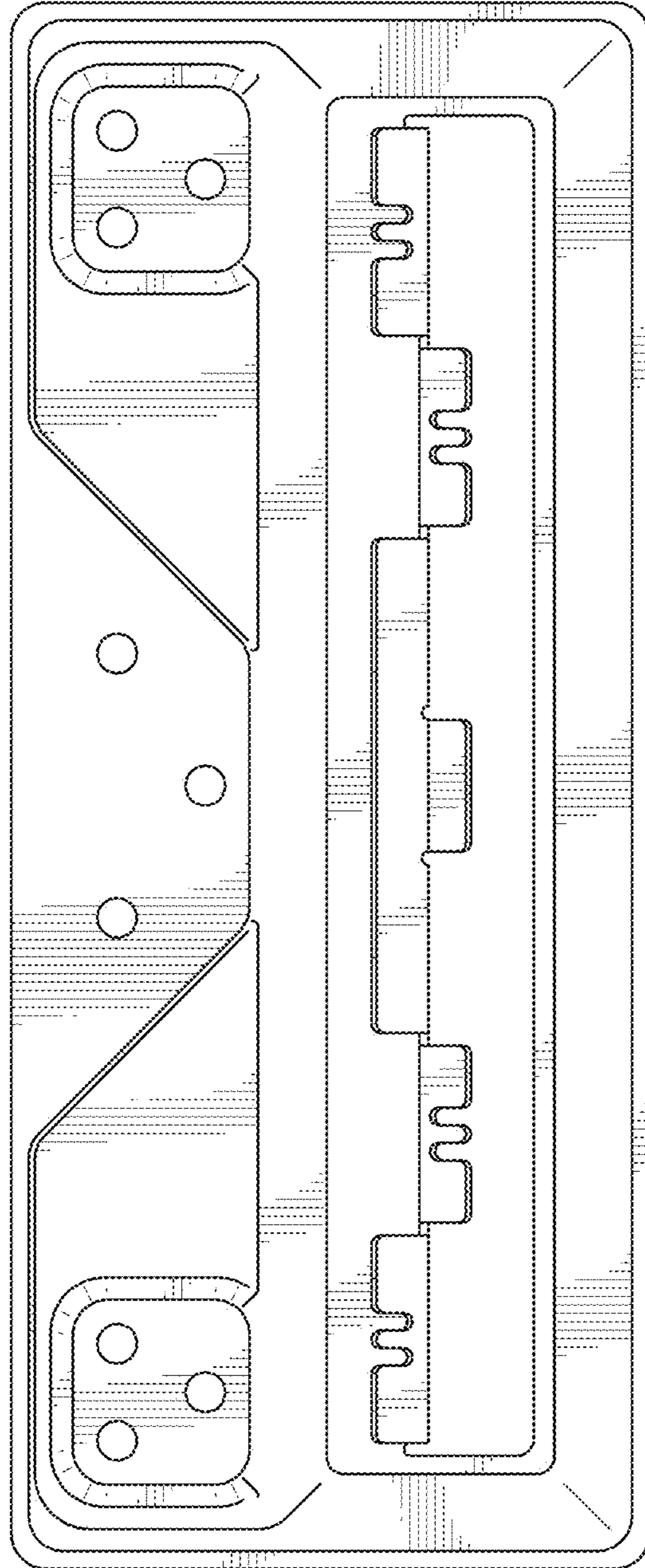


FIG.1

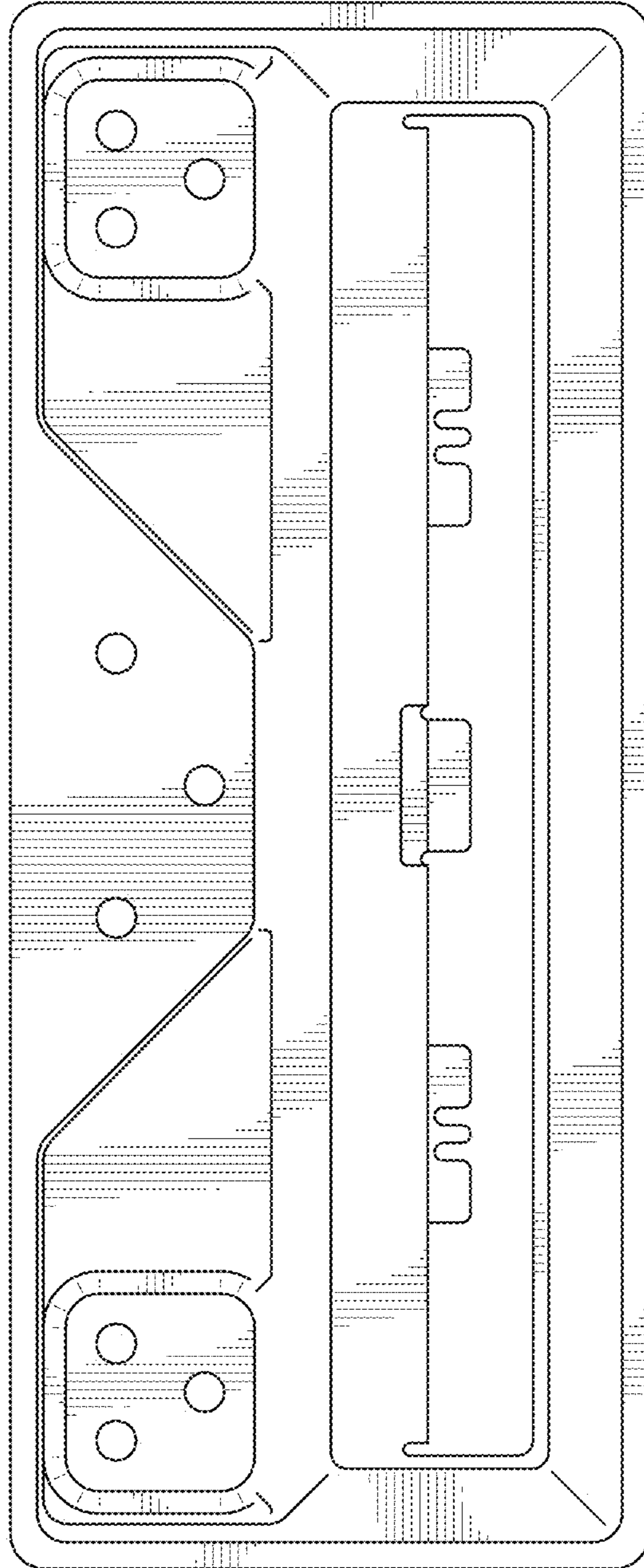


FIG.2

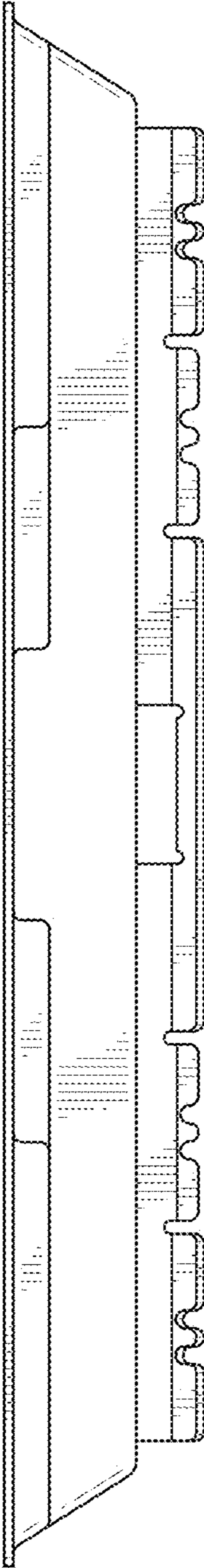


FIG. 3

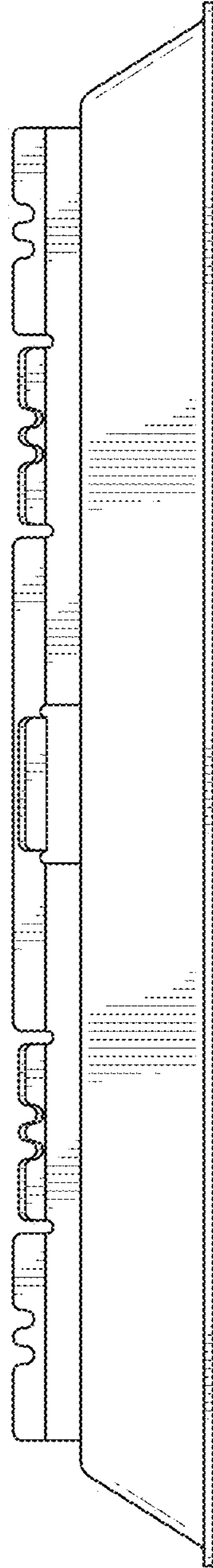


FIG.4

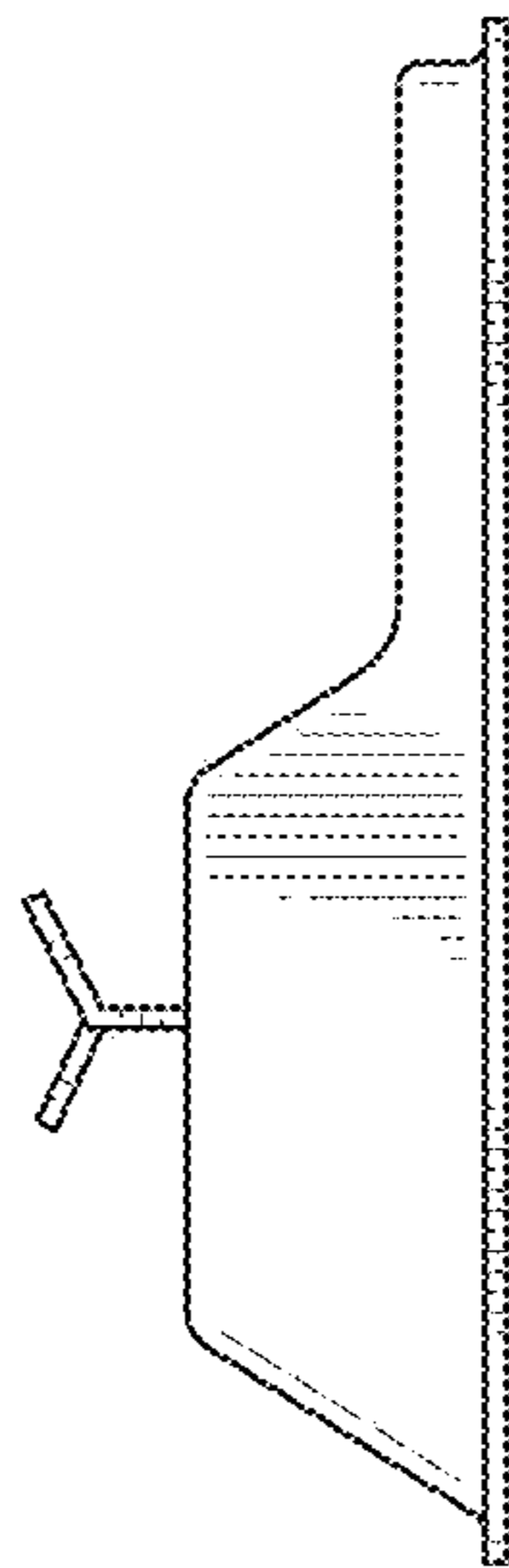


FIG.5

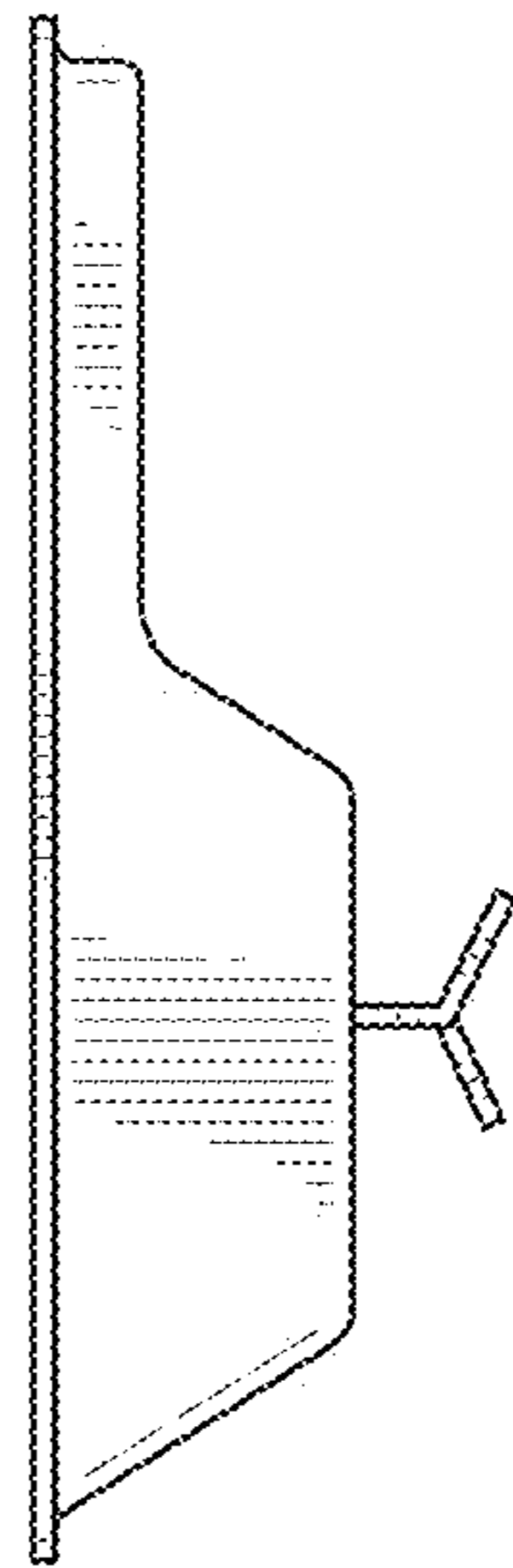


FIG.6

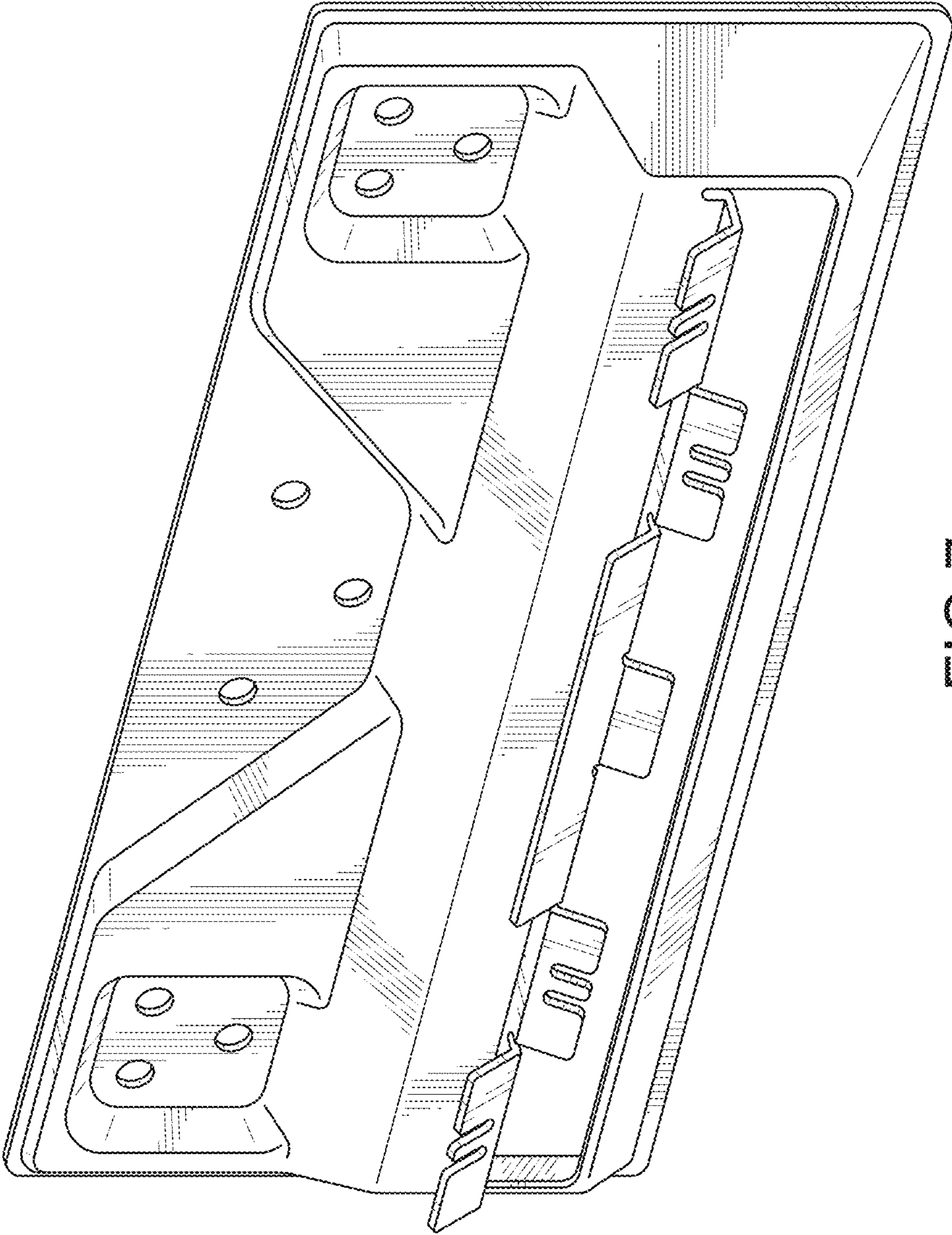


FIG.7

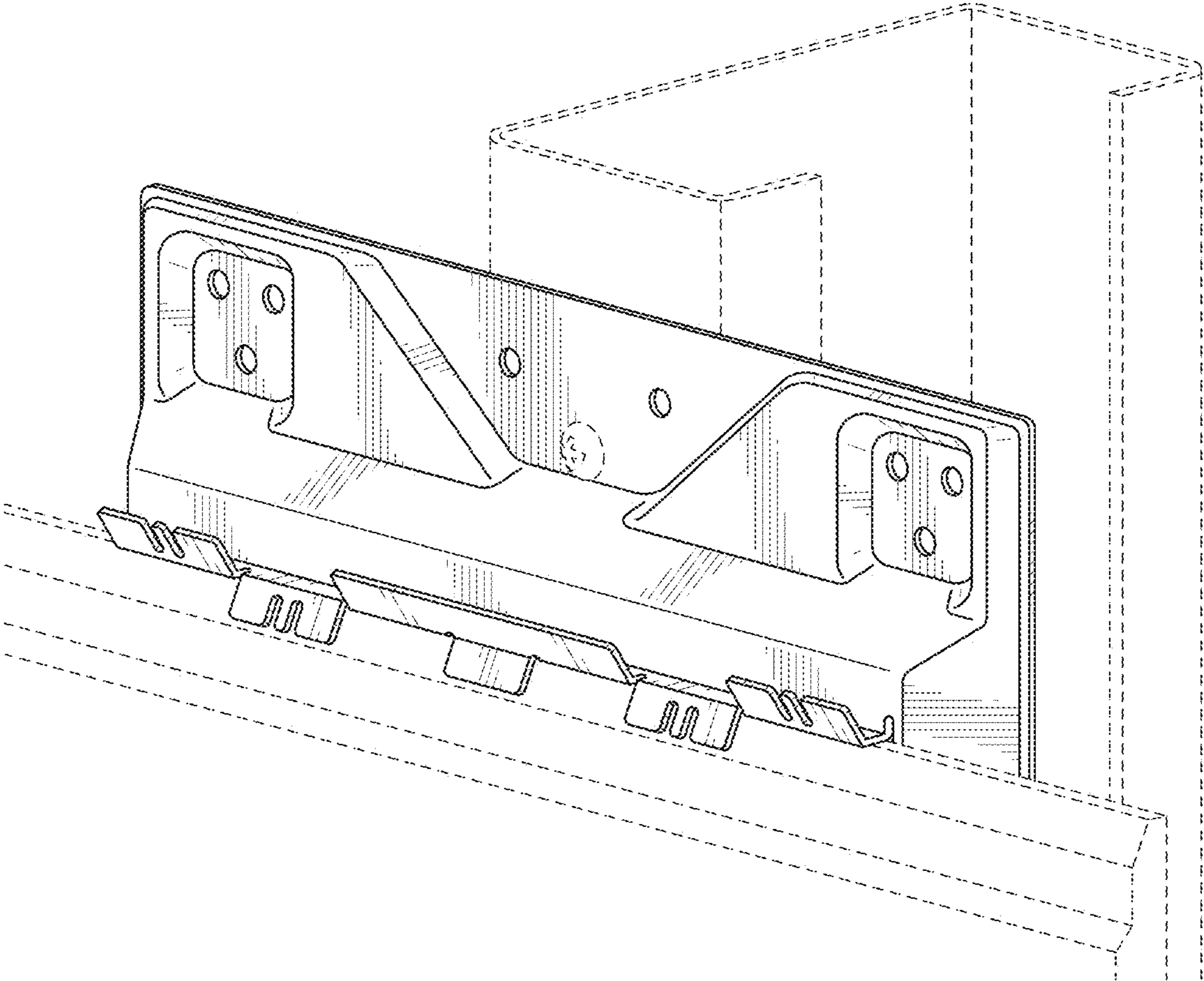


FIG.8