



US00D979382S

(12) **United States Design Patent**
Zhi

(10) **Patent No.:** **US D979,382 S**

(45) **Date of Patent:** **** Feb. 28, 2023**

- (54) **OVER THE DOOR HOOK**
- (71) Applicant: **Xucan Zhi**, Guangdong (CN)
- (72) Inventor: **Xucan Zhi**, Guangdong (CN)
- (**) Term: **15 Years**
- (21) Appl. No.: **29/802,954**
- (22) Filed: **Aug. 9, 2021**

- (51) **LOC (14) Cl.** **08-11**
- (52) **U.S. Cl.**
USPC **D8/373**
- (58) **Field of Classification Search**
USPC D8/301, 302, 372, 373; D6/323, 566,
D6/370, 372, 302, 303
CPC A47F 5/0006; A47F 2005/0012; F16M
13/022; F16B 2001/0035; A01G 9/12;
A47G 7/044; A47G 7/045; A47G 7/047;
A47G 7/07; A47G 25/0614
See application file for complete search history.

(56) **References Cited**

U.S. PATENT DOCUMENTS

D324,783 S *	3/1992	Greenhut	D6/323
D343,112 S *	1/1994	Corbin	D8/367
D353,291 S *	12/1994	Mercer	D6/567
D357,403 S *	4/1995	Goodman	D8/372
D377,309 S *	1/1997	Hofman	D8/372
D421,382 S *	3/2000	Abdi	D8/372
D428,803 S *	8/2000	Foster	D8/372
D461,650 S *	8/2002	Goodman	D6/513
D465,406 S *	11/2002	Goodman	D8/372
D472,134 S *	3/2003	Goodman	D8/367
D479,796 S *	9/2003	Snell	D8/372
D494,844 S *	8/2004	Klein	D8/372
D555,366 S *	11/2007	Goodman	D6/323
D607,311 S *	1/2010	Snider	D8/367
D613,590 S *	4/2010	Goodman	D8/372
D617,998 S *	6/2010	Goodman	D6/323
D666,858 S *	9/2012	Goodman	D6/566

D706,614 S *	6/2014	Schraufnagel	D8/372
D707,538 S *	6/2014	Goodman	D8/372
D724,851 S *	3/2015	Klein	D8/372
D724,860 S	3/2015	Tsai		
D734,134 S *	7/2015	Bauerle	D8/372
D743,779 S *	11/2015	Cohen	D8/371
D751,373 S *	3/2016	Goodman	D8/372
D794,431 S *	8/2017	Goodman	D8/372
D802,402 S *	11/2017	Hintze	D8/367
D809,371 S *	2/2018	Forrest	D8/372
D820,069 S *	6/2018	Hack	D8/367
D836,424 S *	12/2018	Santarelli	F16M 13/022 D8/372

(Continued)

Primary Examiner — Marissa J Cash
Assistant Examiner — Kayla Marie Bennett
 (74) *Attorney, Agent, or Firm* — True Shepherd, LLC;
 Andrew Cheng

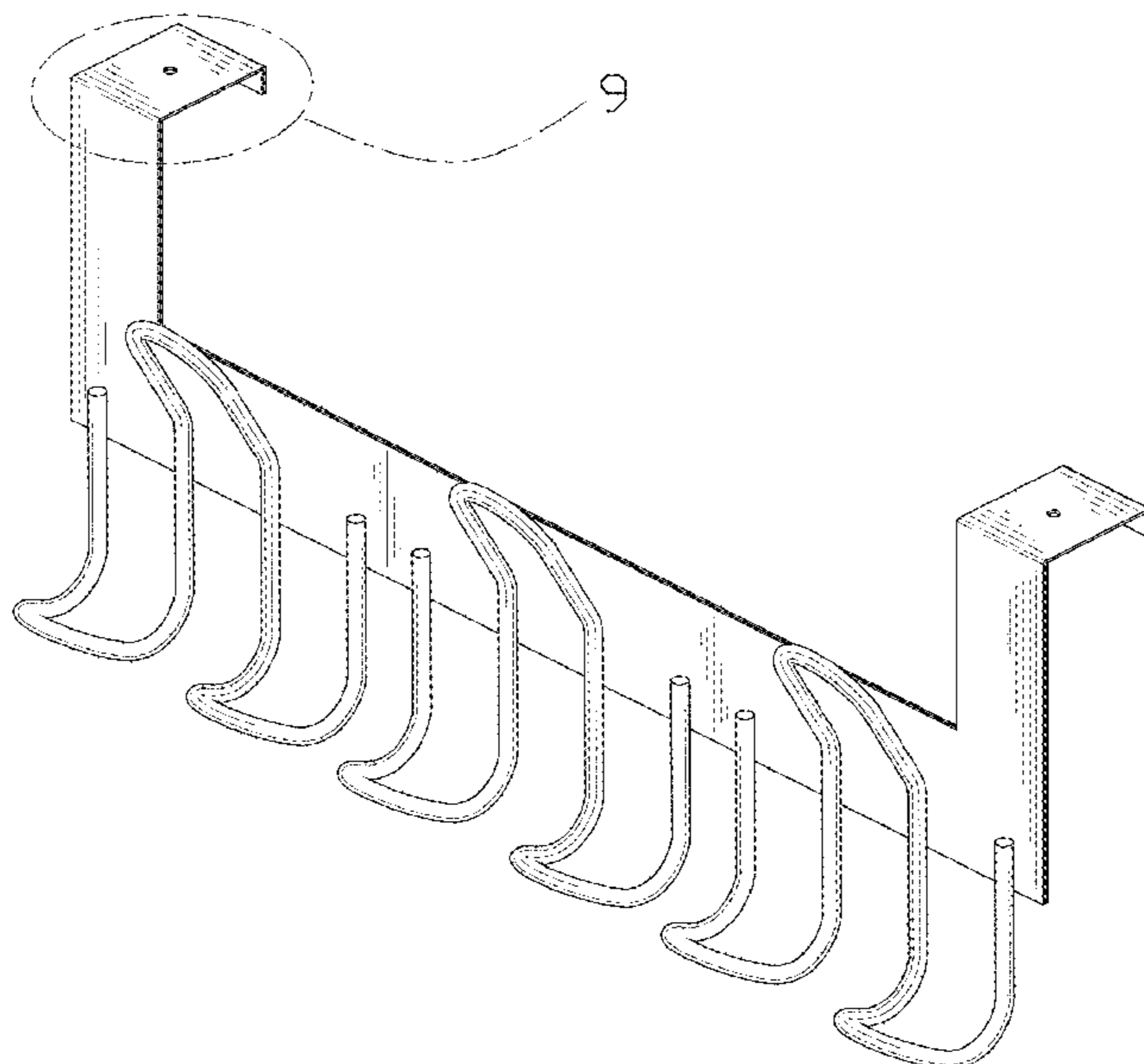
(57) **CLAIM**

The ornamental design for an over the door hook, as shown and described.

DESCRIPTION

FIG. 1 is a front, right, and top perspective view of an over the door hook, showing my design.
 FIG. 2 is a rear, left, and top perspective view thereof.
 FIG. 3 is a front elevation view thereof.
 FIG. 4 is a rear elevation view thereof.
 FIG. 5 is a left side elevation view thereof.
 FIG. 6 is a right side elevation view thereof.
 FIG. 7 is a top plan view thereof.
 FIG. 8 is a bottom plan view thereof.
 FIG. 9 is a partial enlarged view of an area labeled 9 in FIG. 1 comprising a fixed portion; and,
 FIG. 10 is a partial enlarged view of an area labeled 10 in FIG. 2 comprising a part of a platform.
 The dash dot lines in the drawings are for annotative purposes only and form no part of the claimed design.

1 Claim, 10 Drawing Sheets



(56)

References Cited

U.S. PATENT DOCUMENTS

D837,637	S *	1/2019	Hack	D8/367
D880,187	S	4/2020	Elliott		
D941,128	S *	1/2022	Chiang	D8/372
D944,075	S *	2/2022	Shang	D8/367
D957,163	S *	7/2022	Zhi	D8/372
D957,237	S *	7/2022	Zhang	D8/367
2012/0181244	A1 *	7/2012	Wang	A47G 25/0614
					211/106.01
2014/0332619	A1 *	11/2014	Yang	A47G 25/0614
					248/301
2016/0273705	A1 *	9/2016	Ajello	E05C 3/045
2019/0104874	A1 *	4/2019	Baines	A47G 25/0614

* cited by examiner

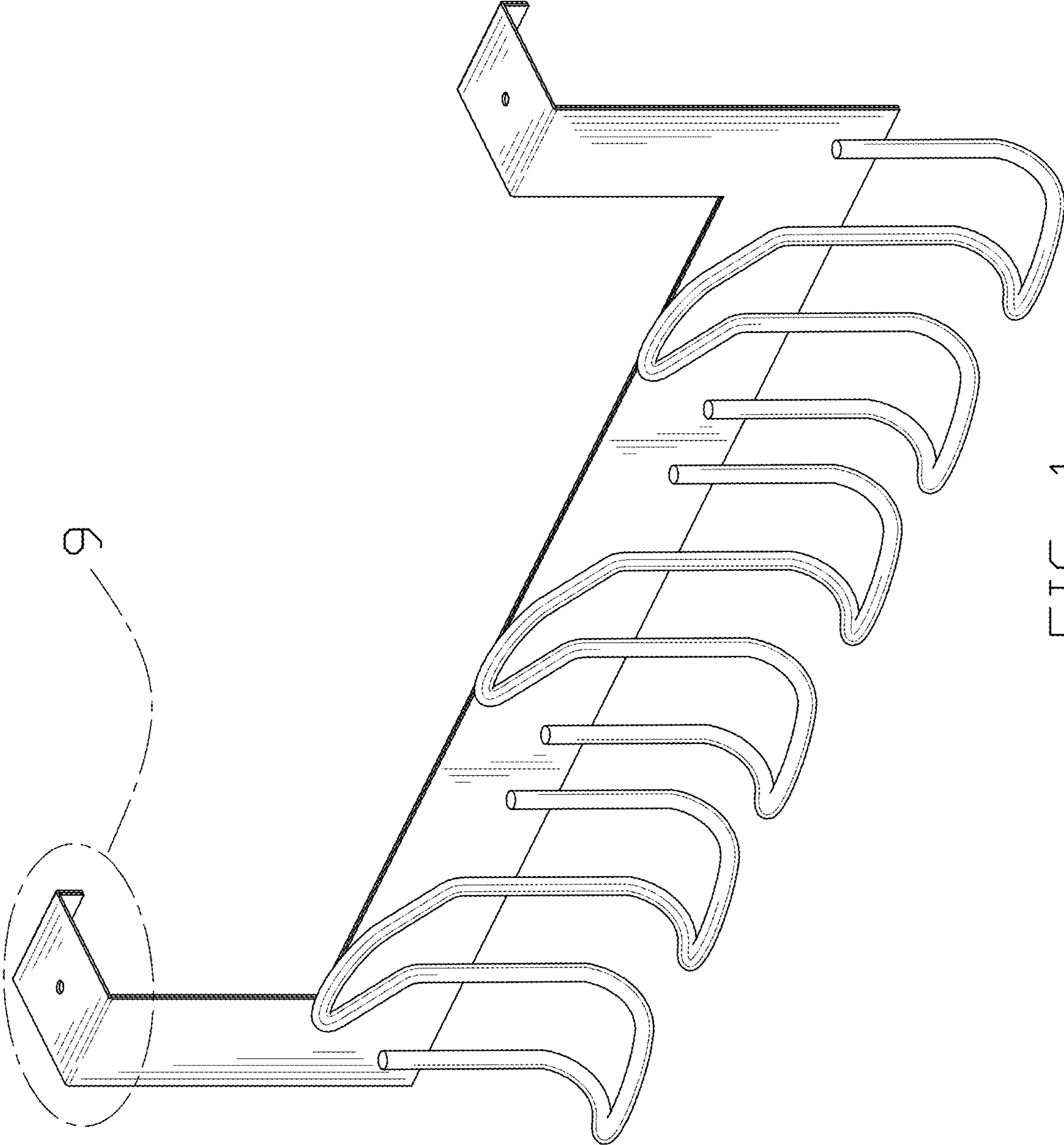


FIG. 1

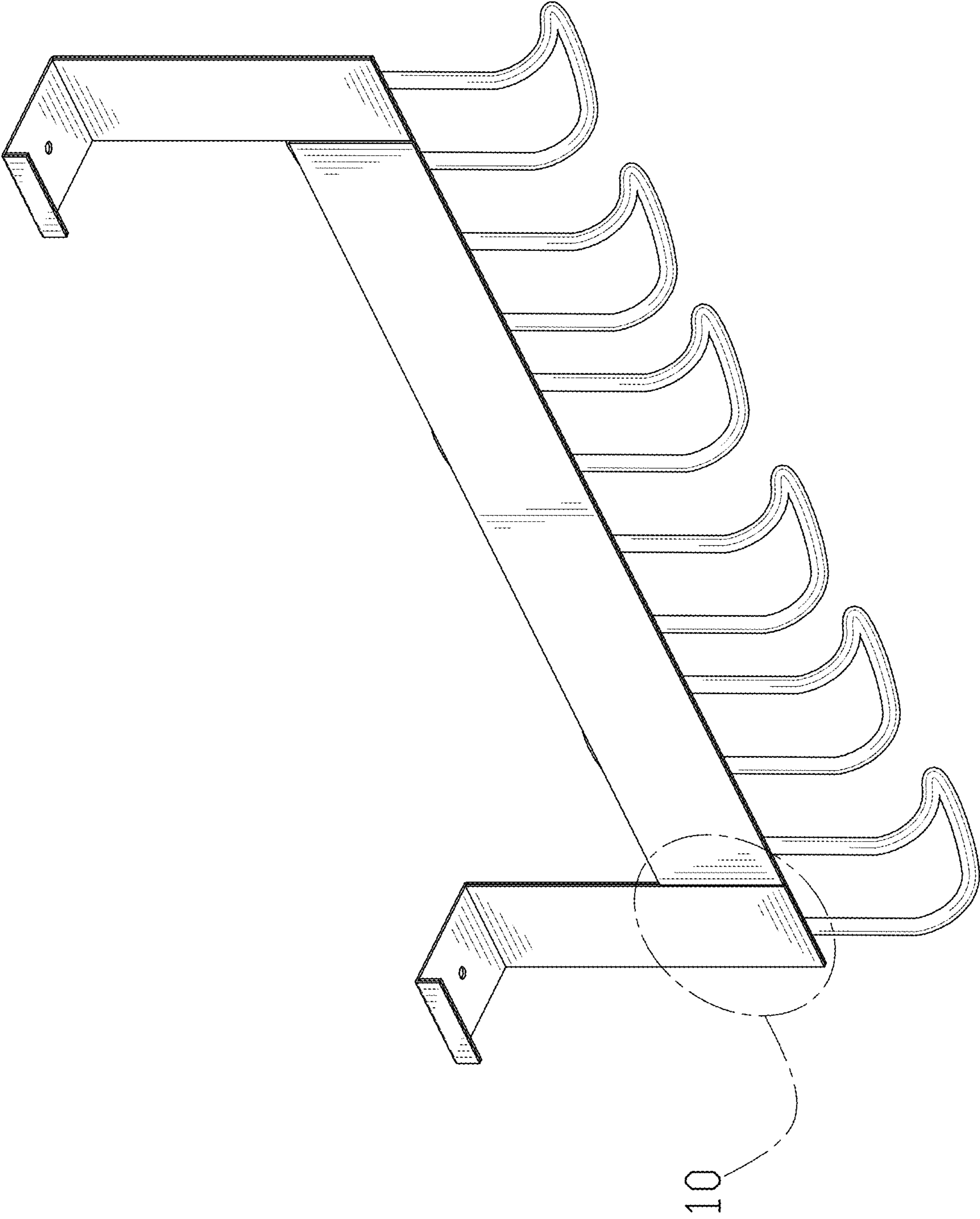


FIG. 2

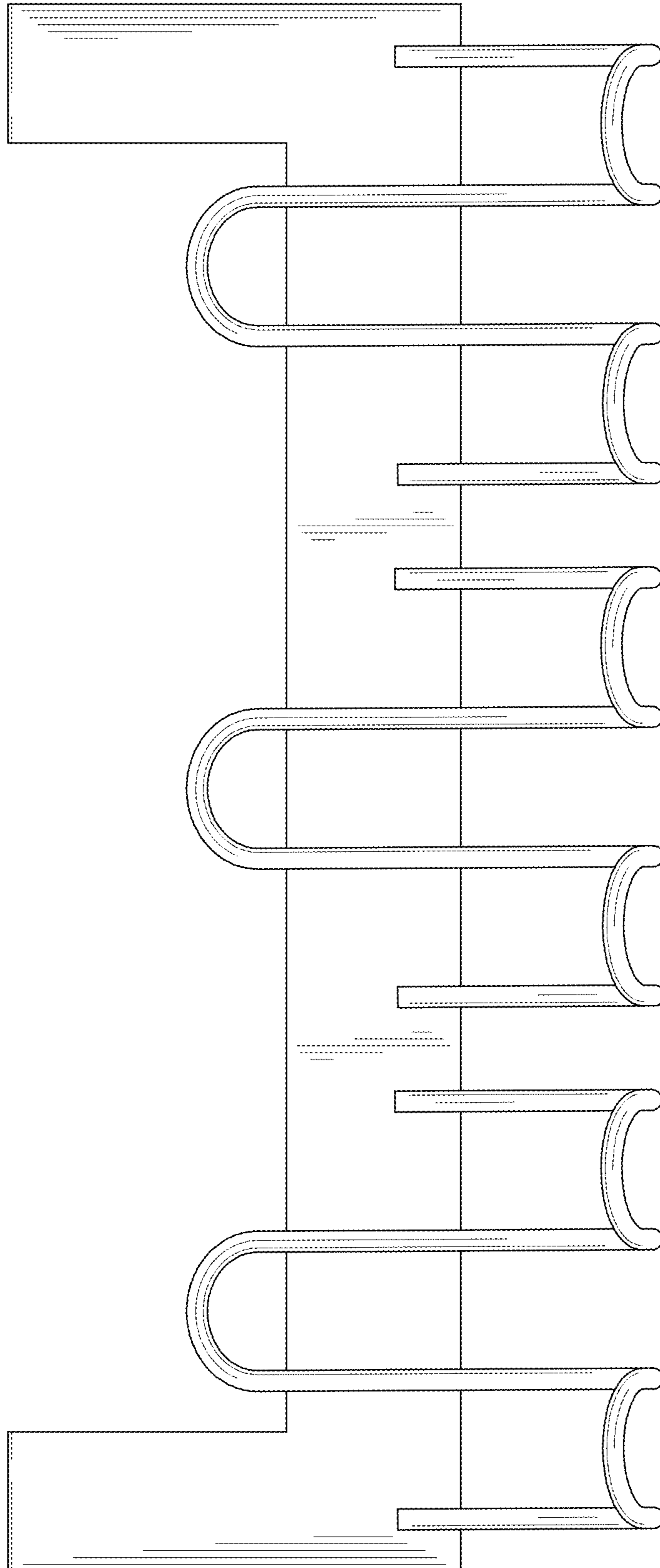


FIG. 3

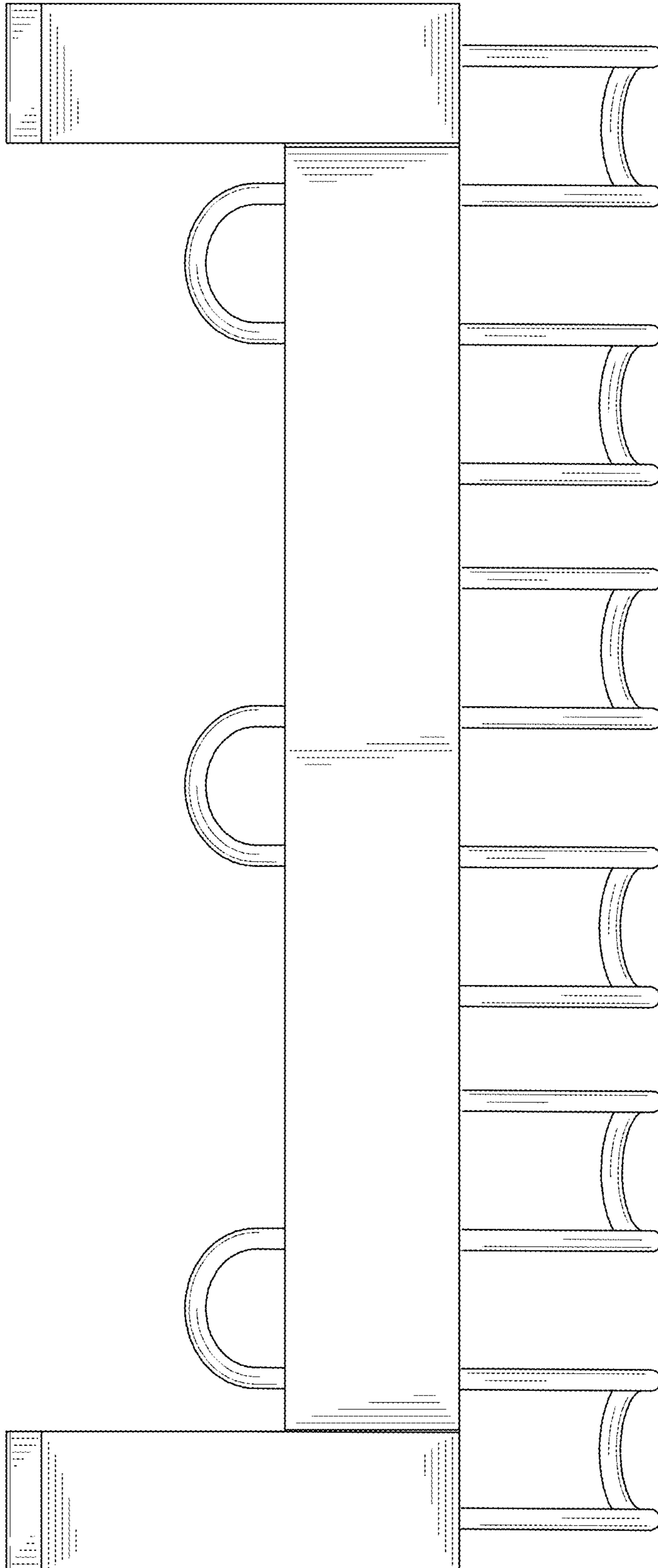


FIG. 4

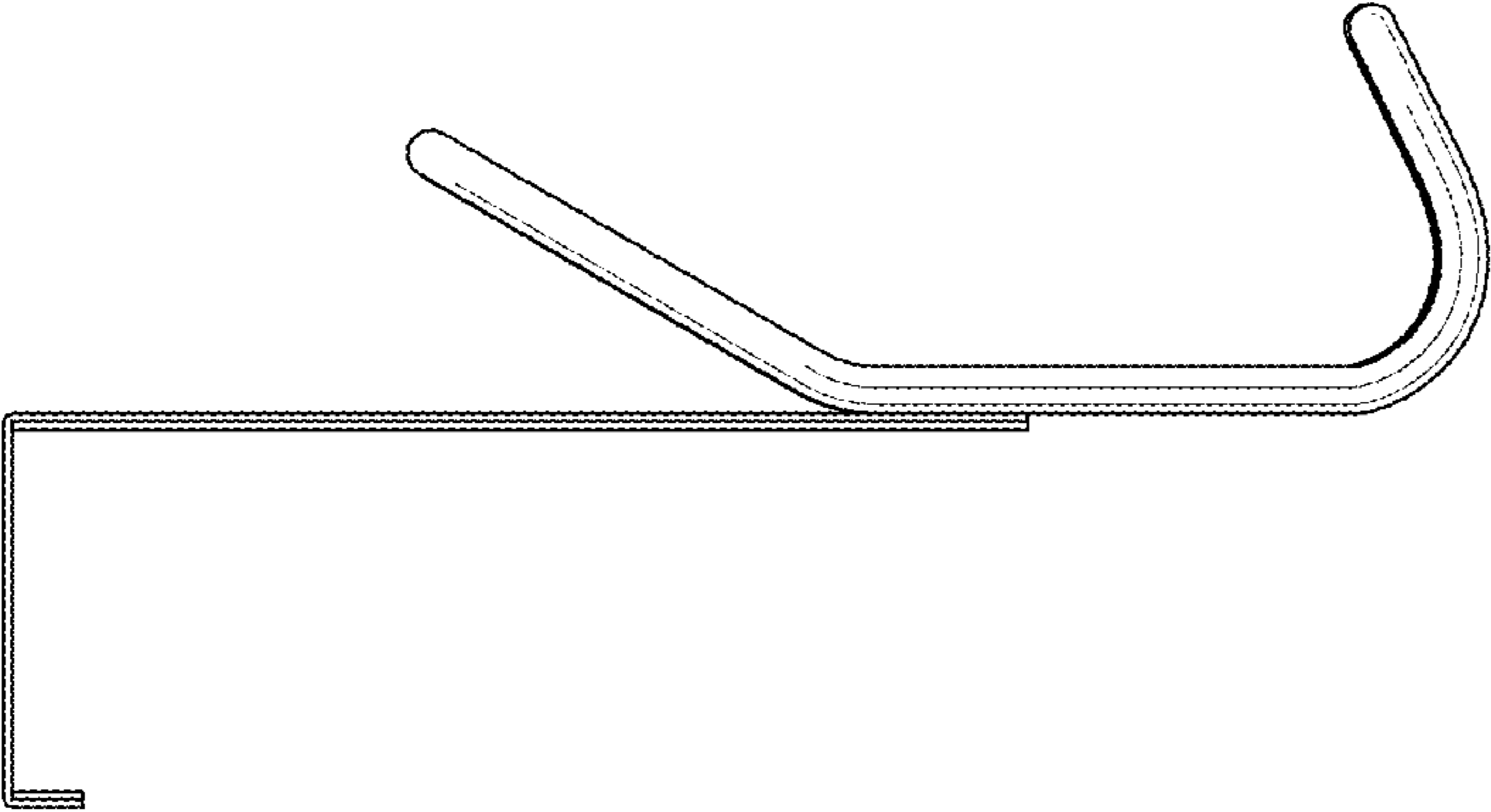


FIG. 5

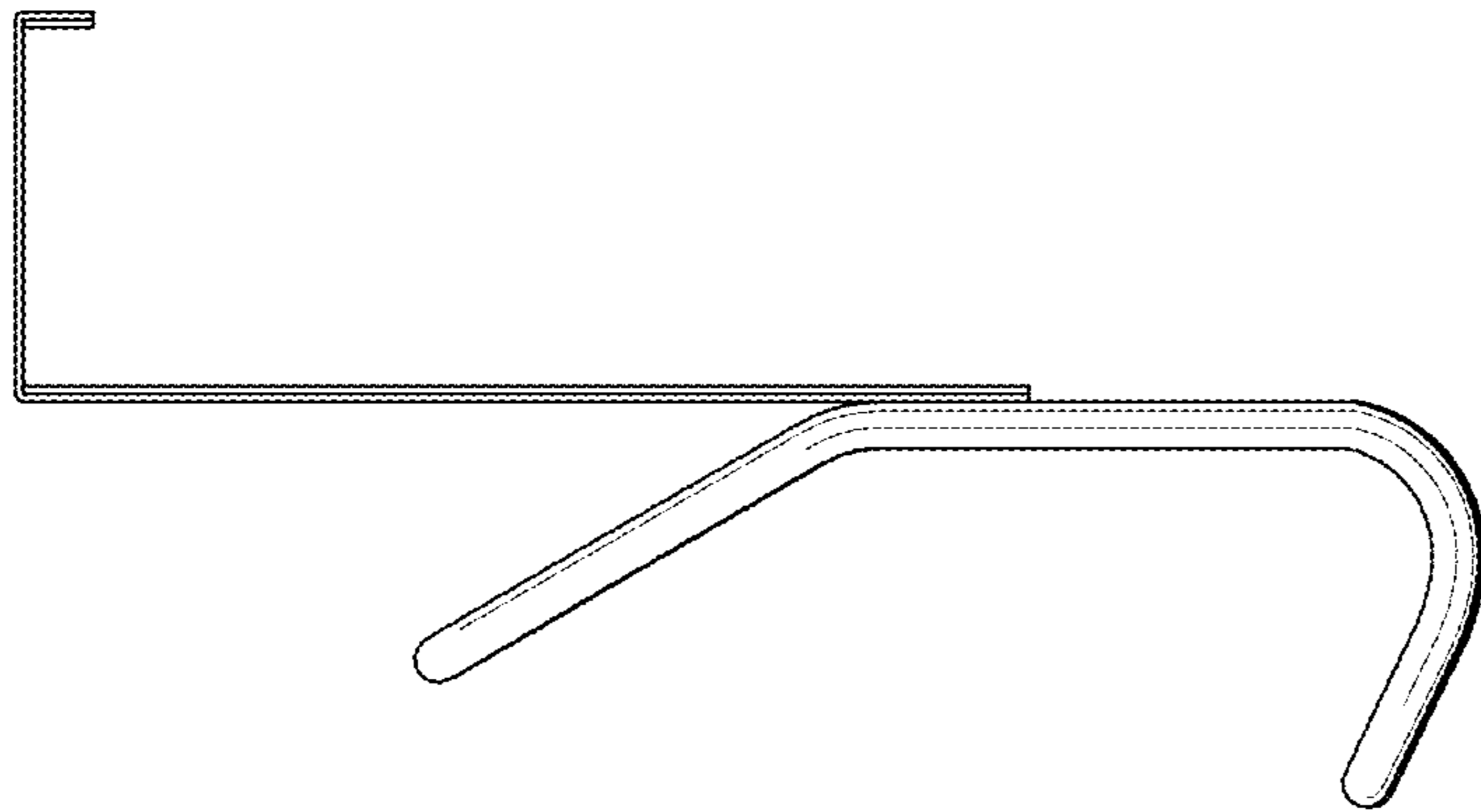


FIG. 6

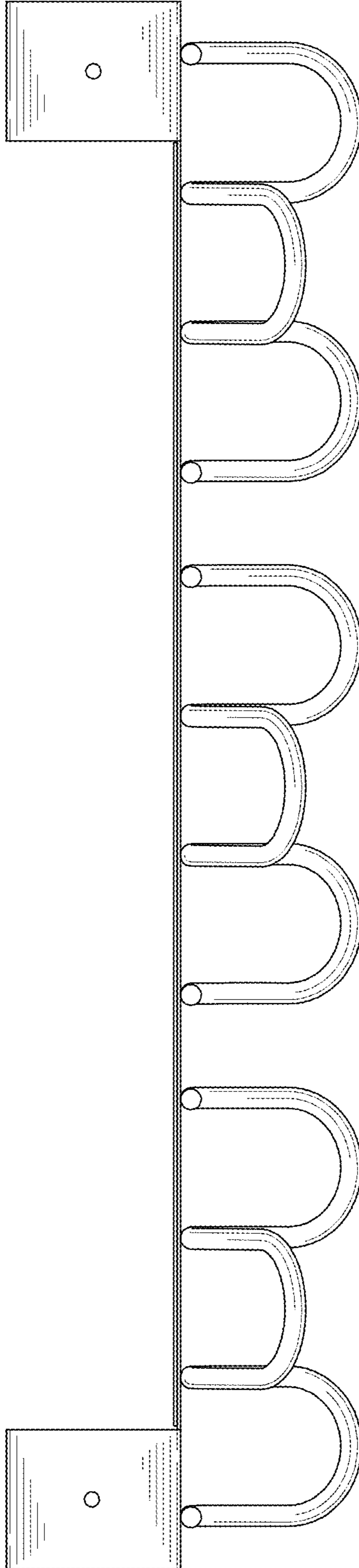


FIG. 7

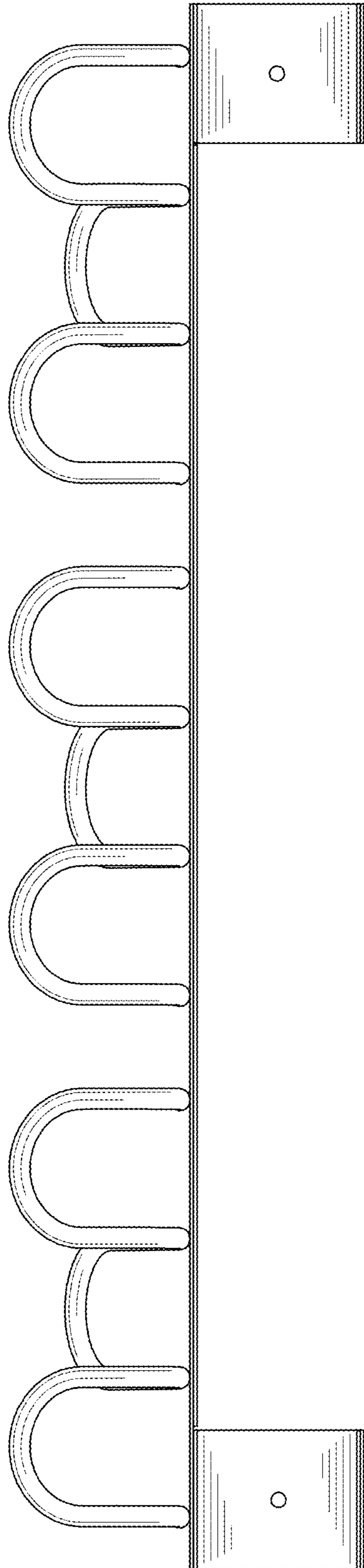


FIG. 8

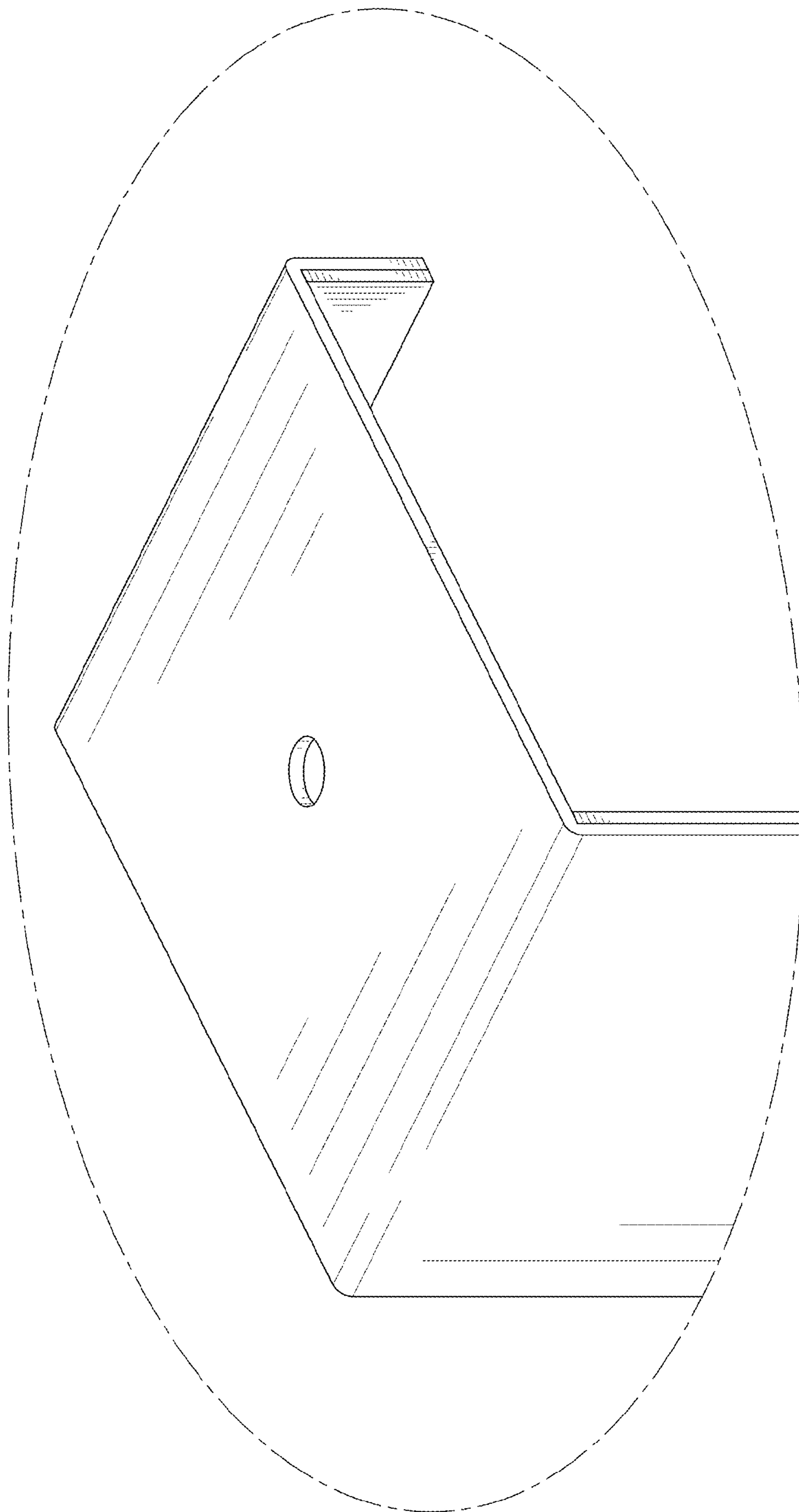


FIG. 9

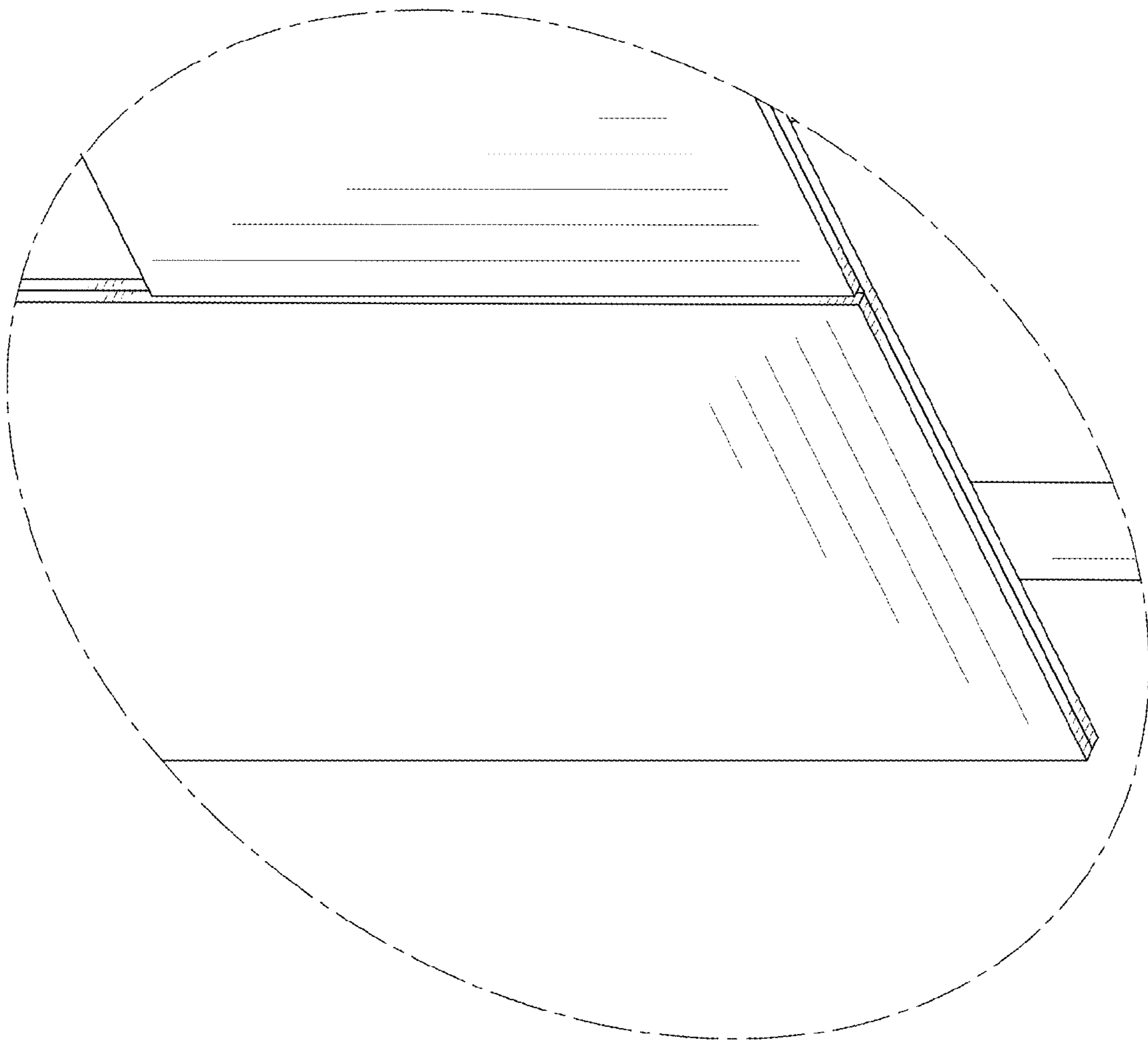


FIG. 10