



US00D979381S

(12) **United States Design Patent** (10) **Patent No.:** **US D979,381 S**  
**Davenport et al.** (45) **Date of Patent:** **\*\* Feb. 28, 2023**

(54) **WALL MOUNTED HANGER** D467,792 S \* 12/2002 Zadak ..... A47F 5/0823  
D8/371  
(71) Applicant: **3M INNOVATIVE PROPERTIES** D531,012 S \* 10/2006 Shih ..... D8/373  
**COMPANY**, St. Paul, MN (US) 9,775,450 B2 10/2017 Will  
10,197,217 B2 2/2019 Will  
(72) Inventors: **Mario A. Davenport**, St. Paul, MN D942,844 S \* 2/2022 Davenport ..... D8/371  
(US); **Angela L. Pan**, Arden Hills, MN D946,386 S \* 3/2022 Davenport ..... D8/371  
(US); **Joseph A. Hoffman**,  
Minneapolis, MN (US) (Continued)

**FOREIGN PATENT DOCUMENTS**

(73) Assignee: **3M Innovative Properties Company**, EM 007826144 5/2020  
St. Paul, MN (US) EM 007826664 5/2020  
(Continued)

(\*\*) Term: **15 Years**

**OTHER PUBLICATIONS**

(21) Appl. No.: **29/758,580**

Hillman Wall Biter Picture Hangers, posted Oct. 29, 2009 [online],  
retrieved Oct. 4, 2022. Retrieved from internet, [https://www.amazon.com/Hillman-122394-Picture-Hangers-Package/dp/B001MSI9WK/ref=psdc\\_511352\\_t4\\_B000I0BXXA](https://www.amazon.com/Hillman-122394-Picture-Hangers-Package/dp/B001MSI9WK/ref=psdc_511352_t4_B000I0BXXA) (Year: 2008).\*

(22) Filed: **Nov. 17, 2020**

(51) **LOC (14) Cl.** ..... **08-08**

(52) **U.S. Cl.**  
USPC ..... **D8/373; D8/371**

(58) **Field of Classification Search**  
USPC ..... D8/367, 371, 372, 373, 353, 355, 356,  
D8/380, 381, 382, 384, 349  
CPC ..... A47B 96/027; A47F 5/0823; A47G 1/20;  
A47G 1/202; A47G 1/22; A47G  
2001/0672; A47G 29/10; A47H 1/102;  
B43L 1/00; F16B 15/00; F16B 15/02;  
F16B 35/00; F16B 45/00; F16M 13/02  
See application file for complete search history.

(Continued)

*Primary Examiner* — David G Muller  
*Assistant Examiner* — Christina Gabrielle Cosden

(57) **CLAIM**

The ornamental design for a wall mounted hanger, as shown  
and described.

(56) **References Cited**

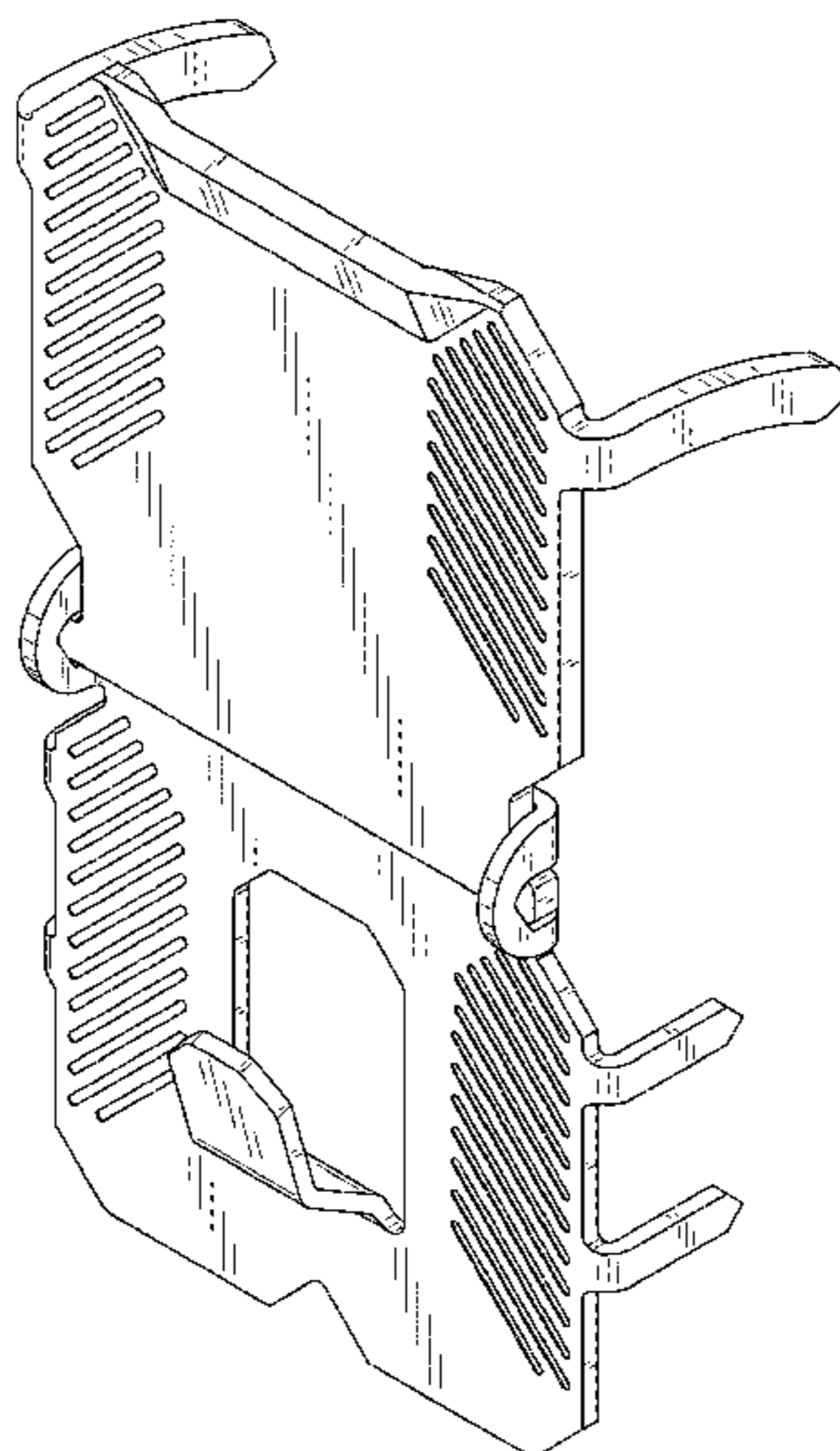
**DESCRIPTION**

**U.S. PATENT DOCUMENTS**

3,298,651 A \* 1/1967 Roy ..... A47G 1/20  
248/217.2  
3,312,442 A \* 4/1967 Moeller ..... A47G 1/20  
248/216.1  
D282,145 S \* 1/1986 Cole ..... D8/373  
4,801,116 A \* 1/1989 Blankenship ..... A47F 5/0823  
248/223.41  
5,028,030 A \* 7/1991 Lewis ..... A47G 1/20  
248/218.2  
D436,841 S \* 1/2001 Carpenter ..... D8/373

FIG. 1 is a perspective view showing a new design for a wall  
mounted hanger;  
FIG. 2 is a front view thereof;  
FIG. 3 is a rear view thereof.  
FIG. 4 is a left side view thereof,  
FIG. 5 is a right side view thereof;  
FIG. 6 is a top view thereof; and,  
FIG. 7 is a bottom view thereof.

**1 Claim, 5 Drawing Sheets**



(56)

**References Cited**

U.S. PATENT DOCUMENTS

D957,921 S \* 7/2022 Davenport ..... D8/371  
2015/0297002 A1 10/2015 Long

FOREIGN PATENT DOCUMENTS

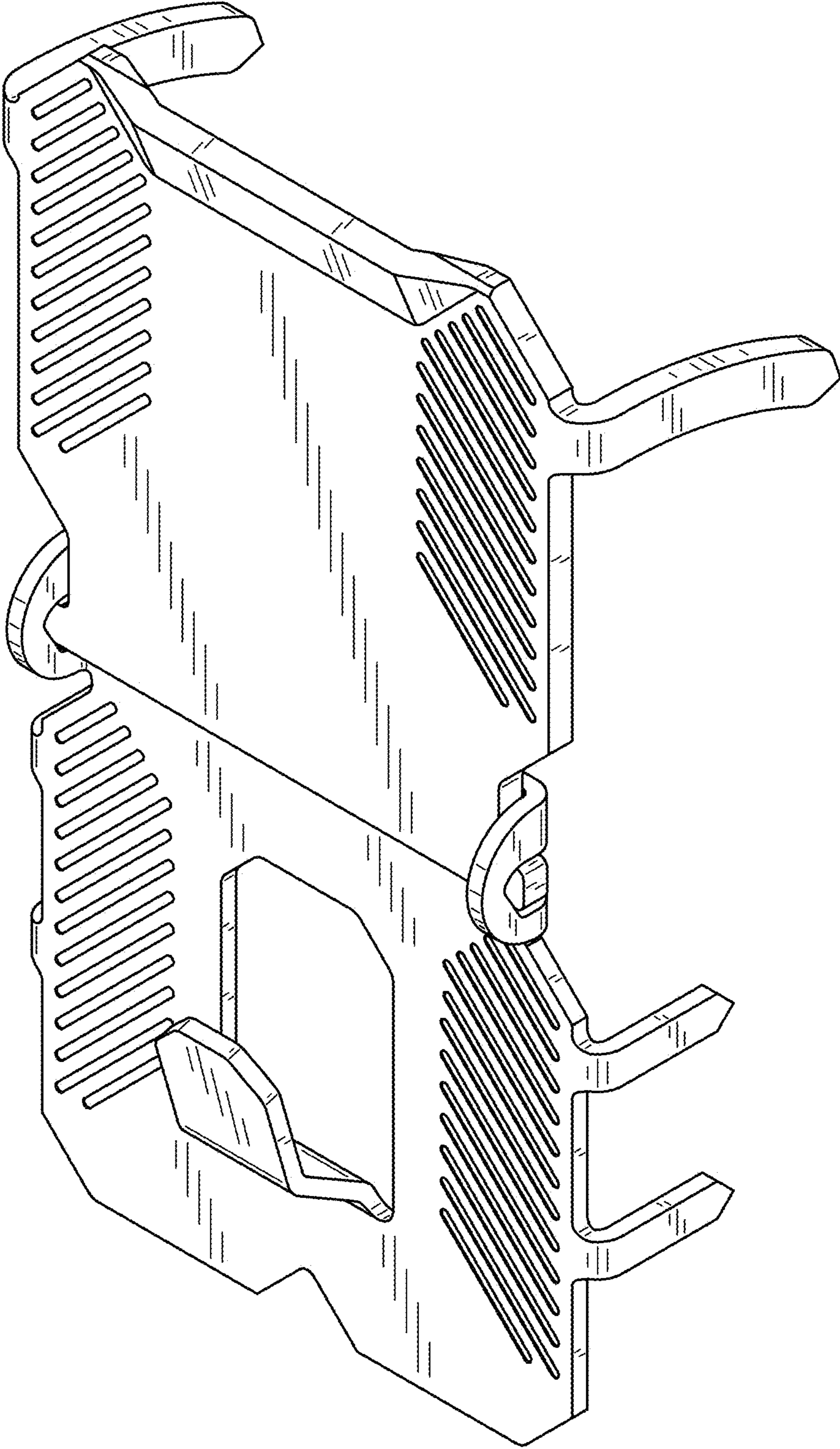
EM	007827654	6/2020
EM	008925341-0001	* 11/2021
TW	216198-0001	* 11/2020
WO	WO 2019/226809	11/2019
WO	WO 2019/226816	11/2019

OTHER PUBLICATIONS

Fischer No Tools Just Hands Picture Claw, posted Aug. 12, 2019 [online], retrieved from internet Oct. 4, 2022. Retrieved from internet, <https://www.amazon.co.uk/fischer-551926-Tools-Just-Hands-Picture/dp/B07W9LPW9G> (Year: 2019).\*

U.S. Appl. No. 62/891,626, filed Aug. 26, 2019, entitled Wall Anchors and Assemblies for Heavyweight Objects.

\* cited by examiner



*FIG. 1*

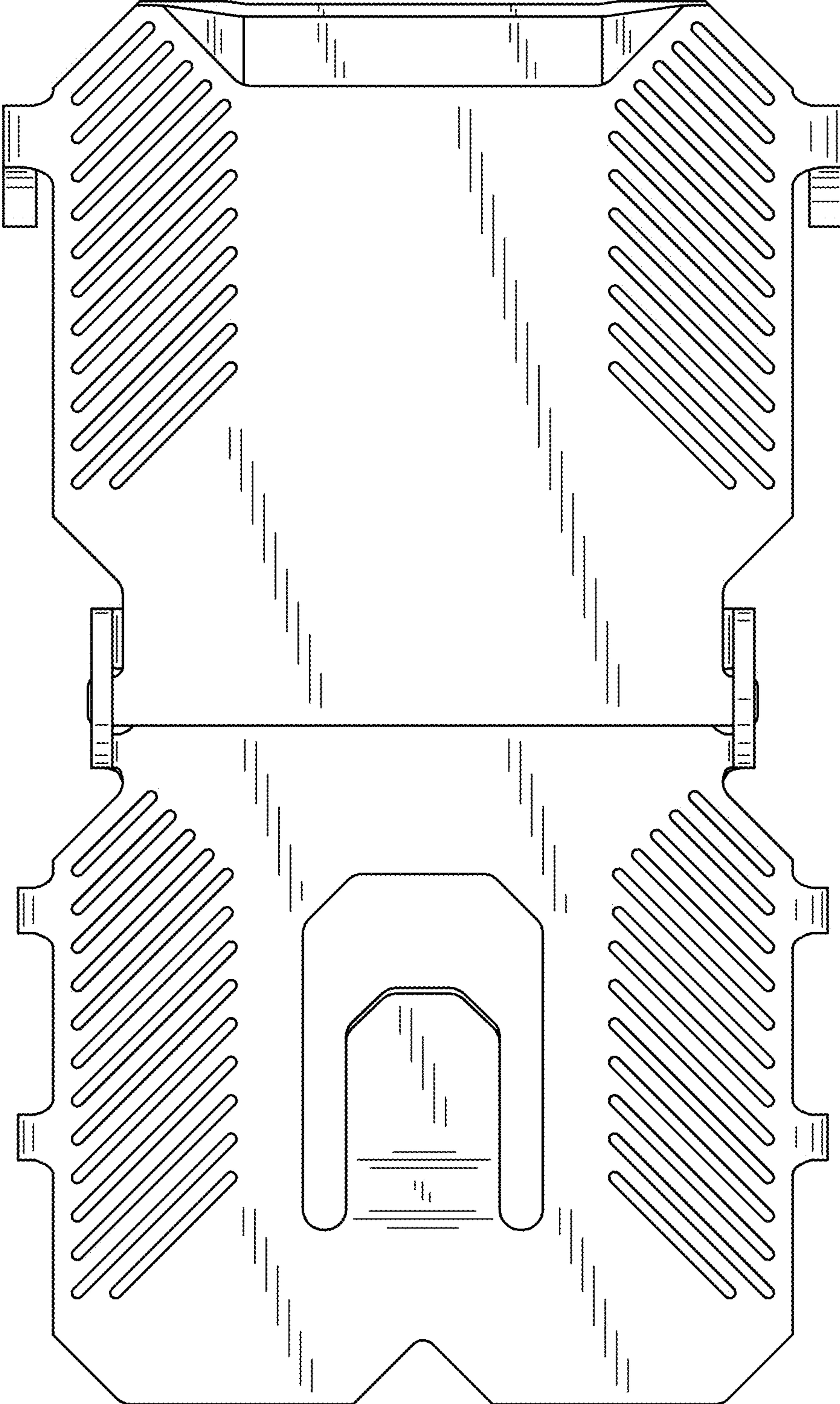
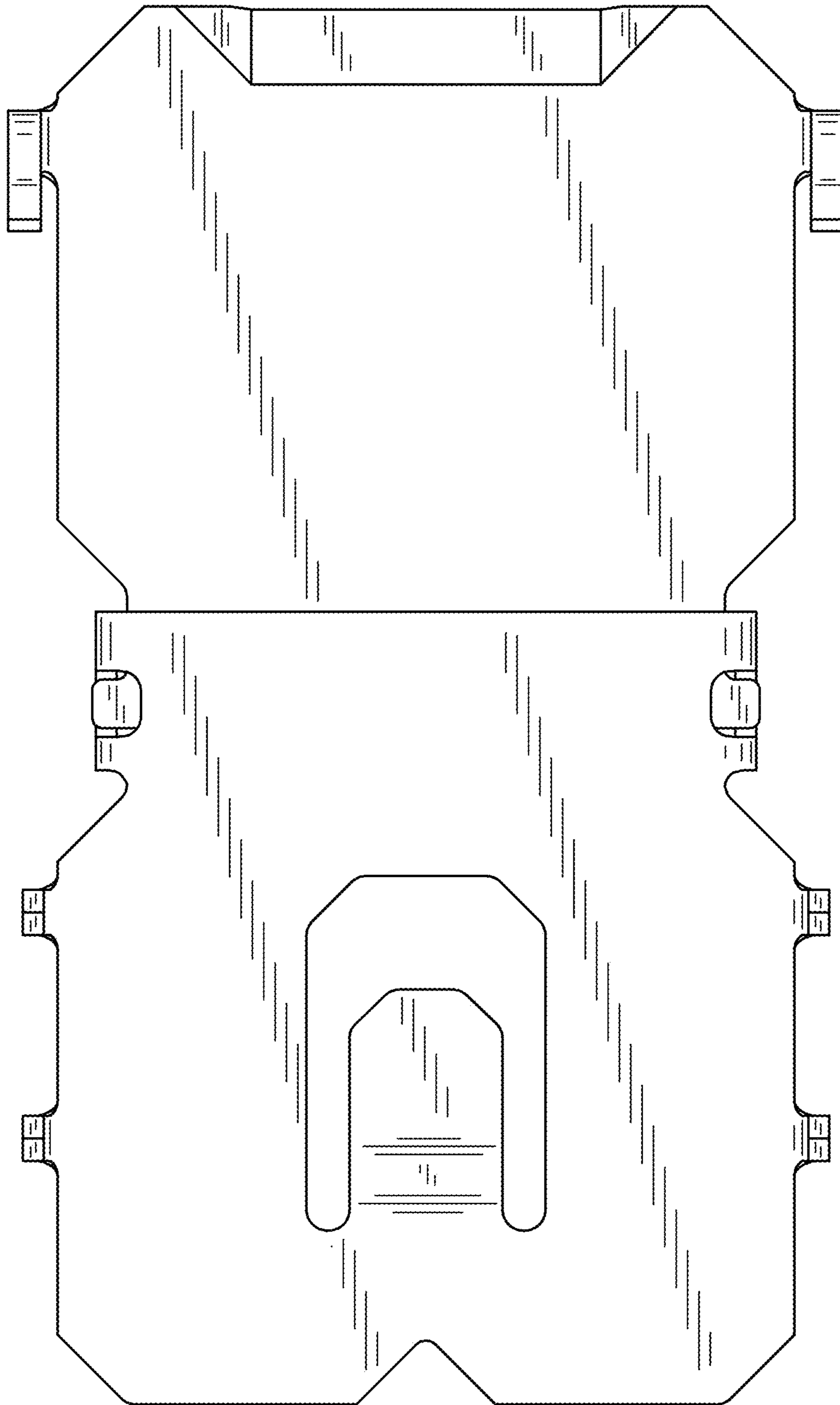


FIG. 2



*FIG. 3*

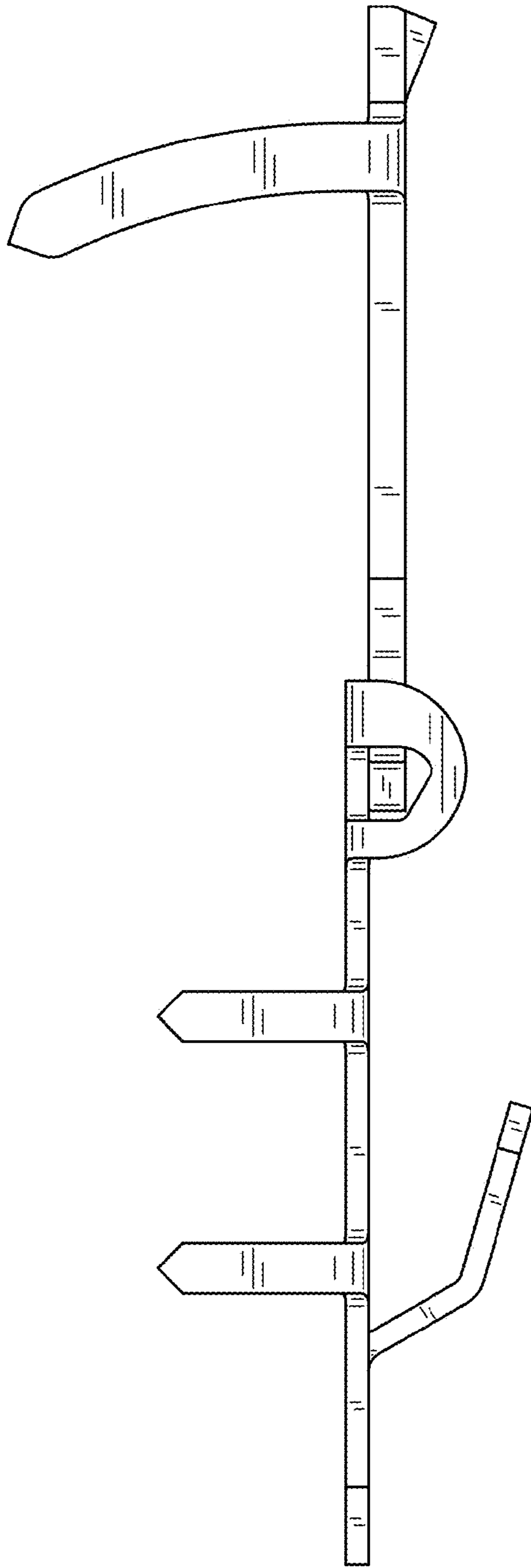


FIG. 4

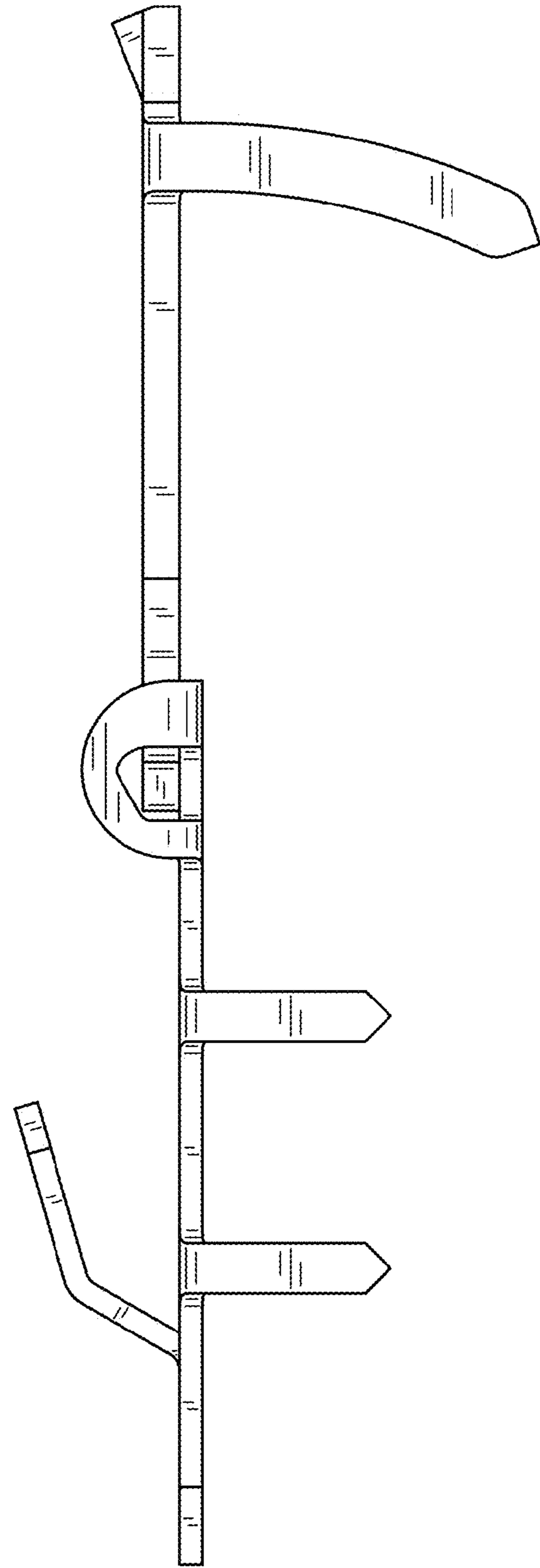
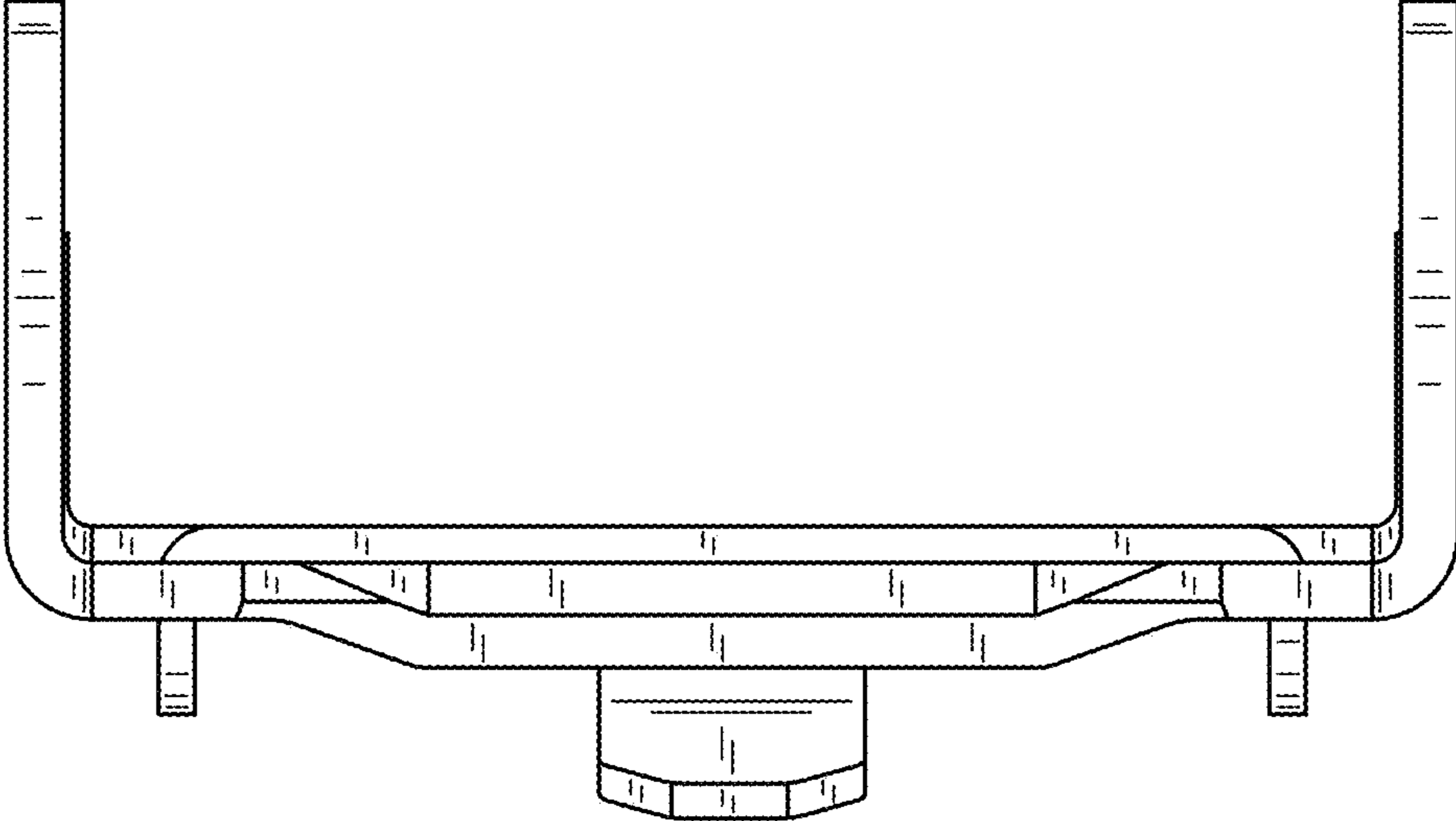
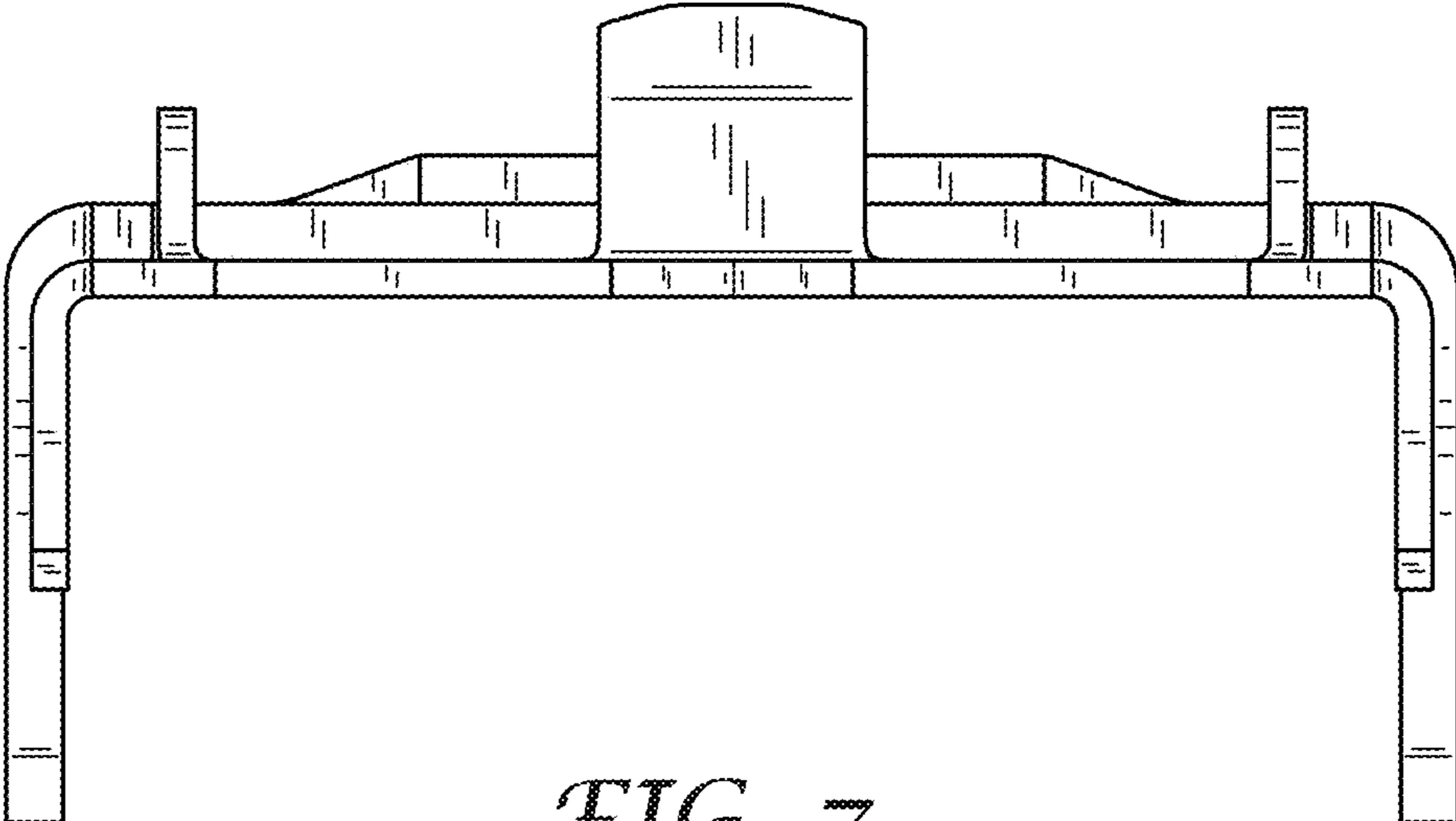


FIG. 5



*FIG. 6*



*FIG. 7*