



US00D979379S

(12) **United States Design Patent** (10) **Patent No.:** **US D979,379 S**
Xia (45) **Date of Patent:** **** Feb. 28, 2023**

(54) **LOCKING RETRACTOR**
(71) Applicant: **SHENZHEN BANMIAO TECHNOLOGY CO., LTD.**, Shenzhen (CN)
(72) Inventor: **Hengxu Xia**, Shenzhen (CN)
(73) Assignee: **SHENZHEN BANMIAO TECHNOLOGY CO., LTD.**, Shenzhen (CN)
(**) Term: **15 Years**
(21) Appl. No.: **29/867,776**
(22) Filed: **Nov. 8, 2022**
(51) **LOC (14) Cl.** **08-05**
(52) **U.S. Cl.**
USPC **D8/358**
(58) **Field of Classification Search**
USPC D8/349, 356, 357, 358, 359, 373;
D13/137.4; D3/207-210, 221; D21/804
CPC B65H 2701/33; B65H 2701/34; B65H
75/4471; B65H 75/40; B65H 75/4402;
B65H 75/28; B65H 75/406; B65H 75/38;
B65H 2402/412; B65H 75/403; B65H
75/425; A45F 5/004; A45F 5/00; A45F
5/02; A45F 2005/006; A45F 2003/003
See application file for complete search history.

D581,256 S * 11/2008 Jiang D8/358
D654,781 S * 2/2012 Tsai D8/359
D807,024 S 1/2018 Dandachli
10,881,782 B2 * 1/2021 Behrens F16L 3/20
11,026,502 B1 * 6/2021 Erol A45F 5/004
2015/0053811 A1 * 2/2015 Murray A45F 3/04
242/588.1
2017/0231375 A1 * 8/2017 Moreau B65H 75/446
224/162
2017/0252591 A1 * 9/2017 Hetrich F16F 9/145
2018/0334353 A1 * 11/2018 Poutiainen B65H 75/4434
2019/0389687 A1 * 12/2019 Bessac B65H 75/4431
2020/0154869 A1 * 5/2020 Jenkins A45F 5/004
2022/0007822 A1 * 1/2022 Al-Jabry A45F 5/004
2022/0017325 A1 * 1/2022 Paulsen A45F 5/00
2022/0176173 A1 * 6/2022 Lopez A62B 35/0093

* cited by examiner

Primary Examiner — Lauren R Calve

(57) **CLAIM**

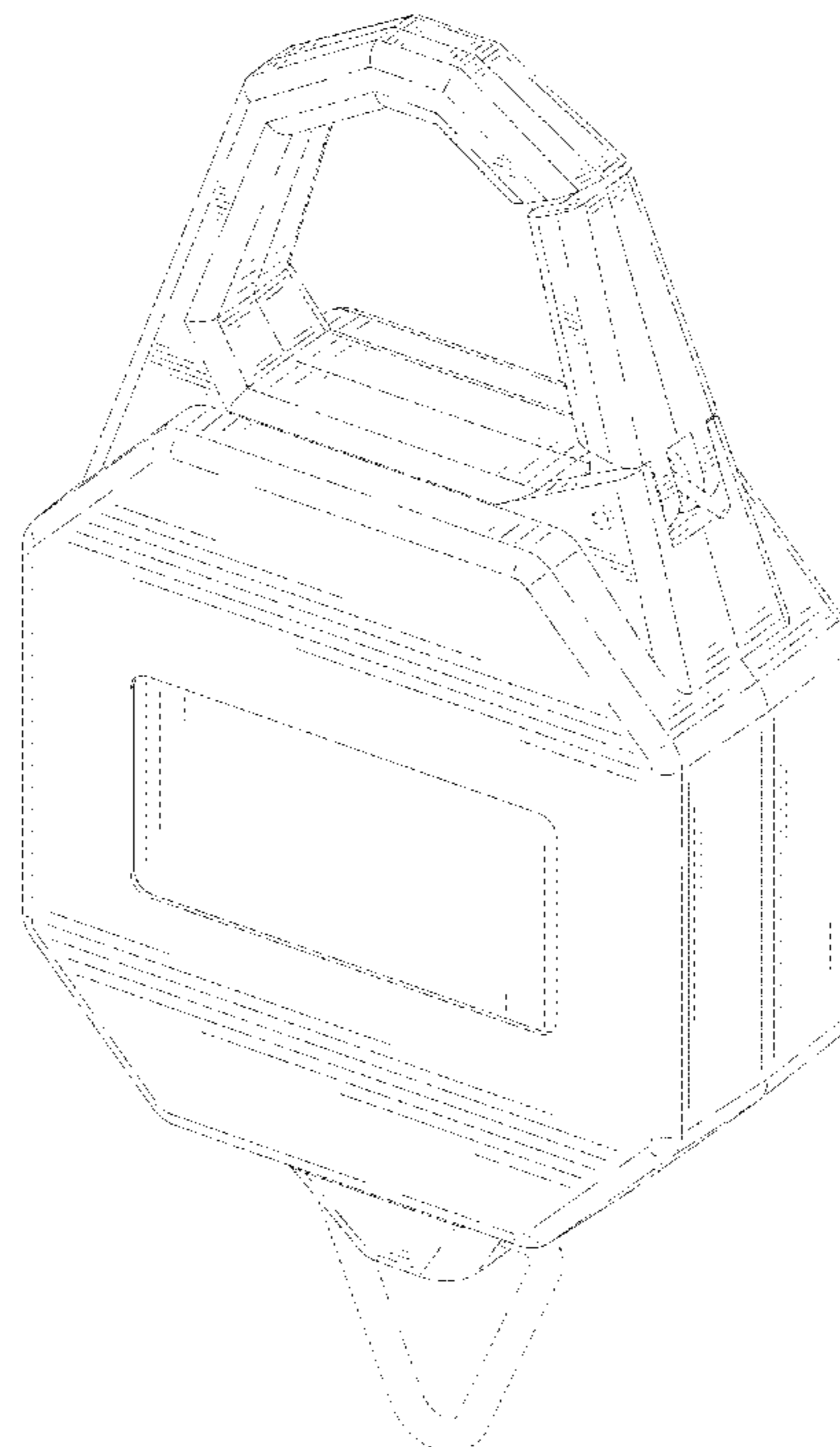
The ornamental design for a locking retractor, as shown and described.

DESCRIPTION

FIG. 1 is a perspective view of a locking retractor showing my new design;
FIG. 2 is another perspective view thereof;
FIG. 3 is a front elevational view thereof;
FIG. 4 is a rear elevational view thereof;
FIG. 5 is a left side elevational view thereof;
FIG. 6 is a right side elevational view thereof;
FIG. 7 is a top plan view thereof; and,
FIG. 8 is a bottom plan view thereof.
The broken lines in the drawings depict portions of the locking retractor that form no part of the claimed design.

1 Claim, 8 Drawing Sheets

(56) **References Cited**
U.S. PATENT DOCUMENTS
D257,576 S * 12/1980 Bobrovniczky D8/358
D275,263 S * 8/1984 Cutler D8/358
D397,286 S * 8/1998 Dreyfus D8/358



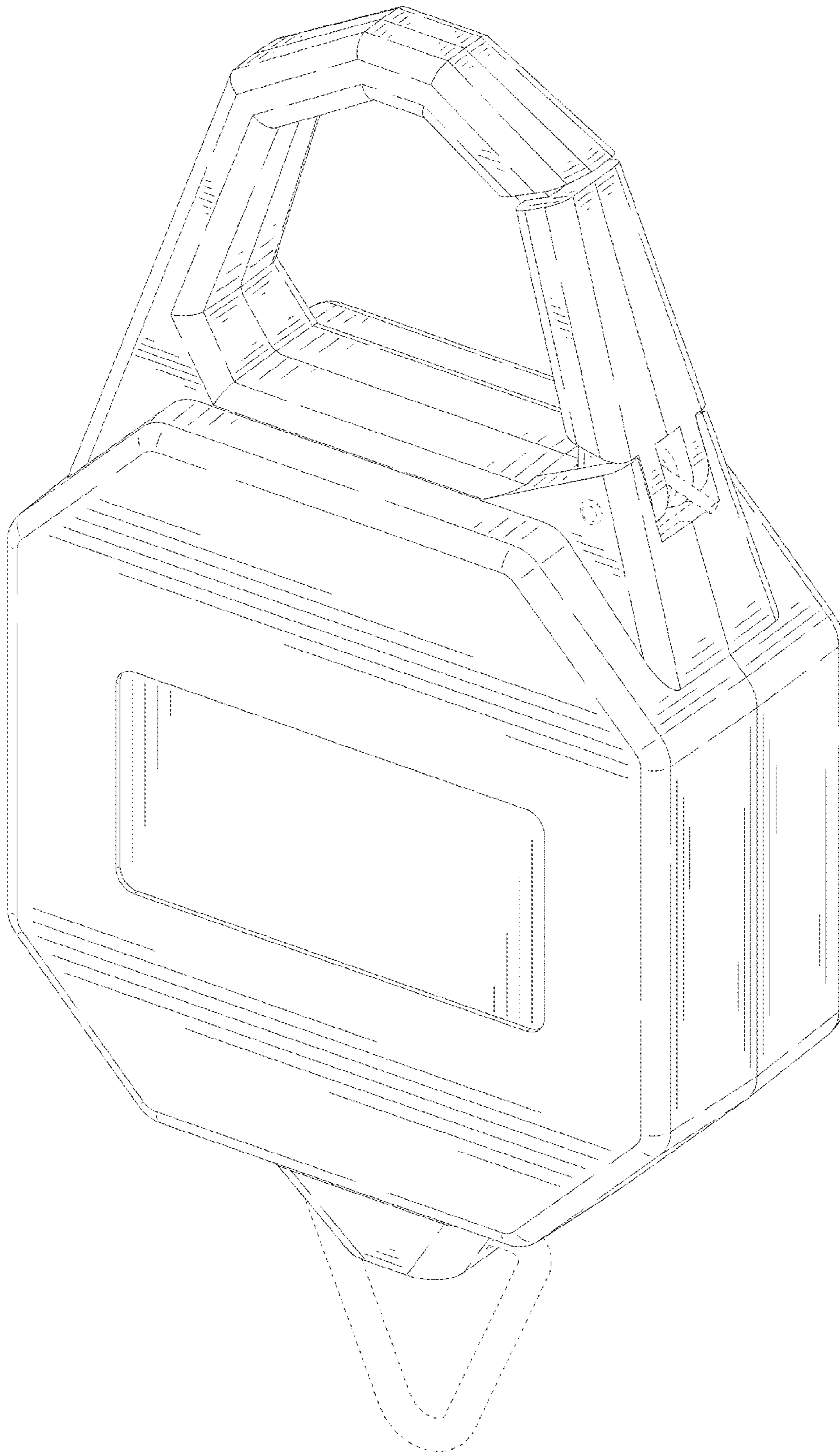


FIG. 1

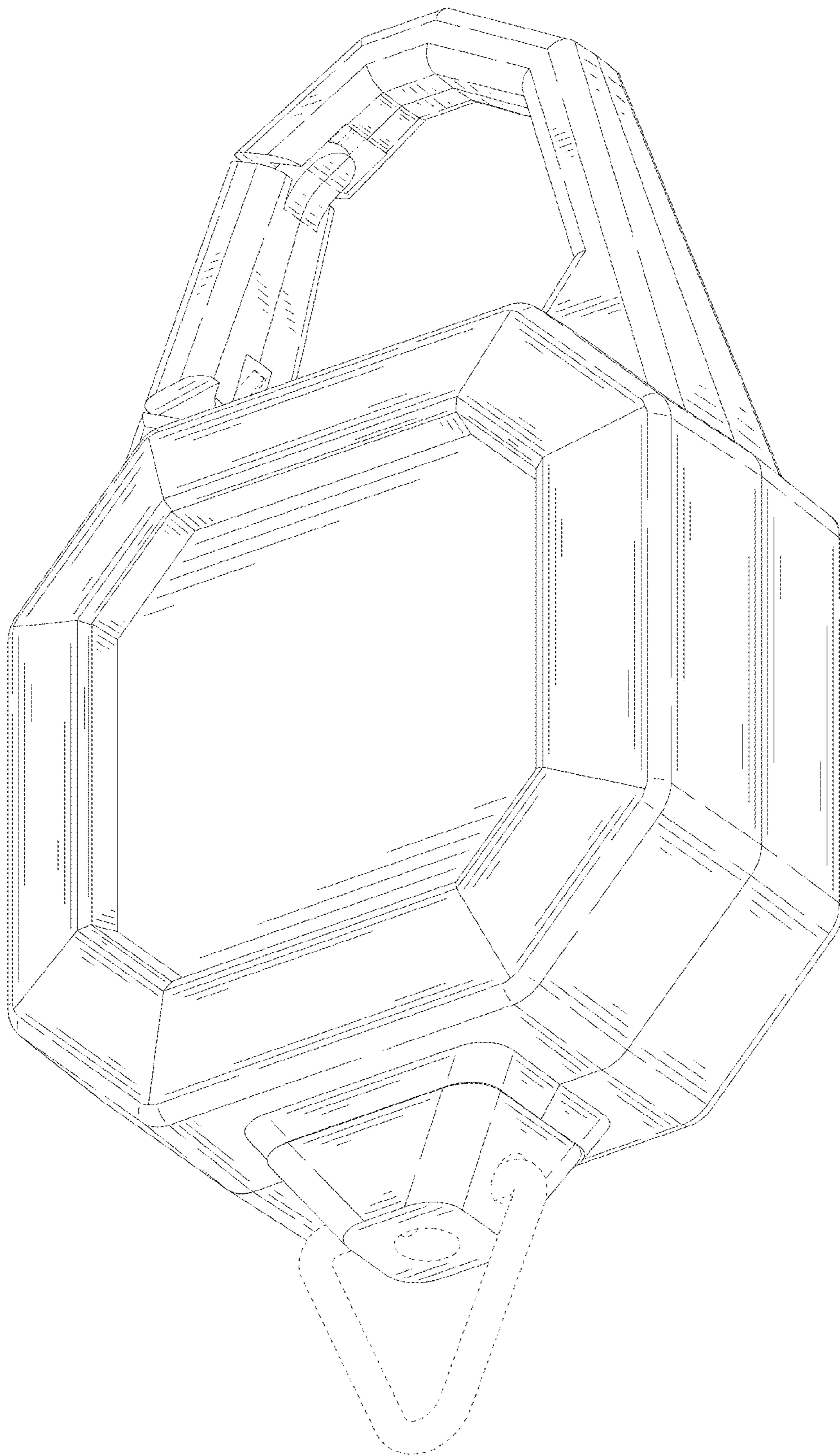


FIG. 2

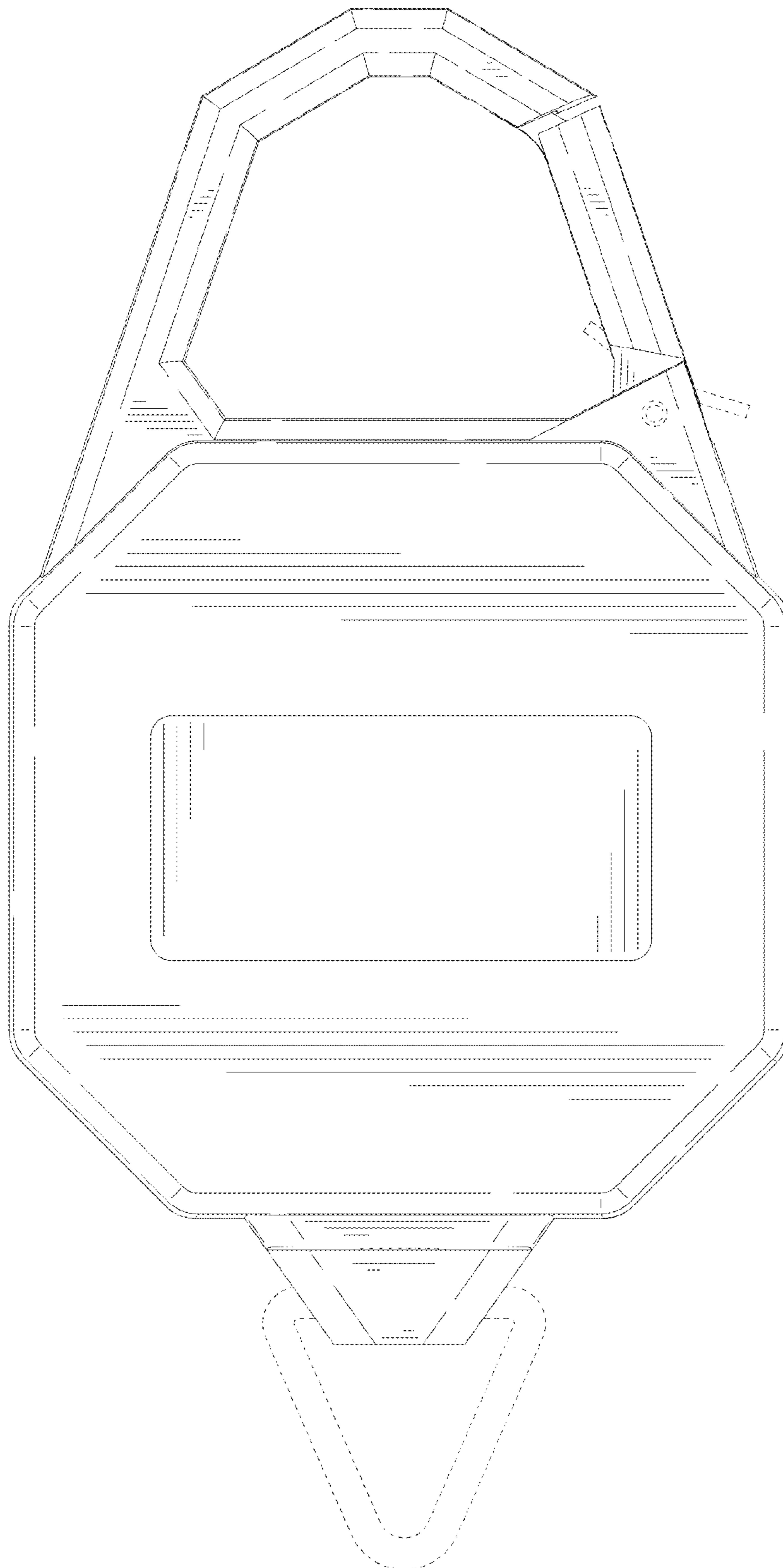


FIG. 3

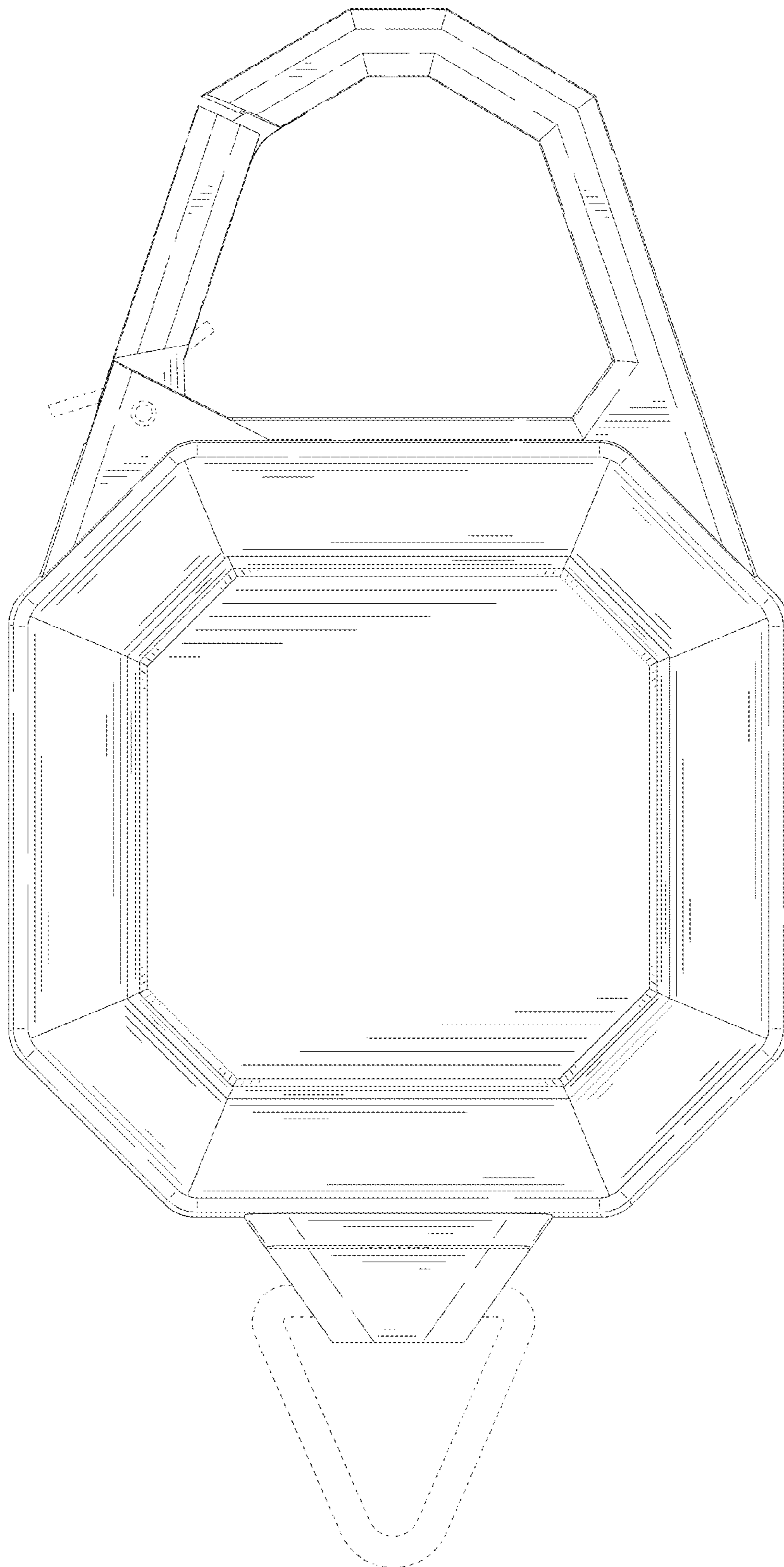


FIG. 4

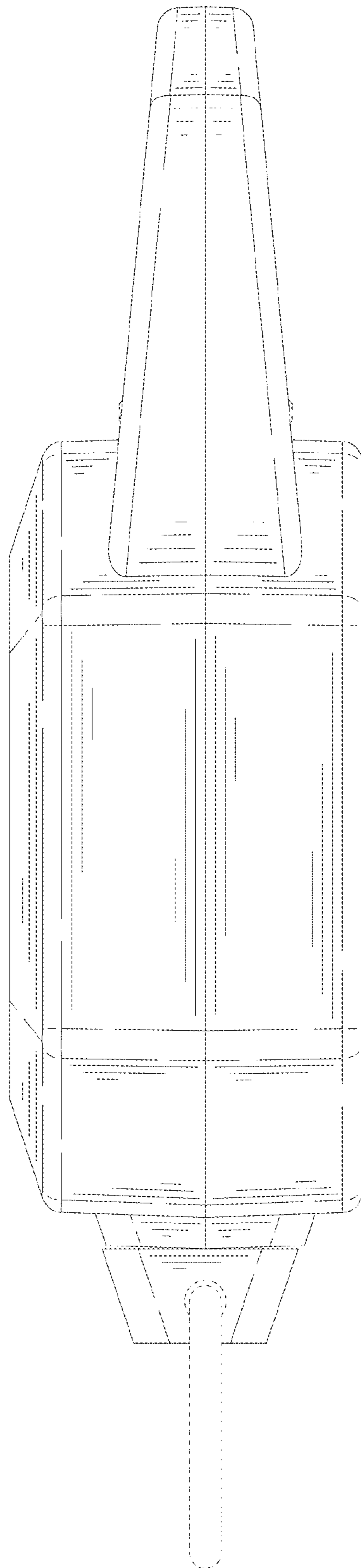


FIG. 5

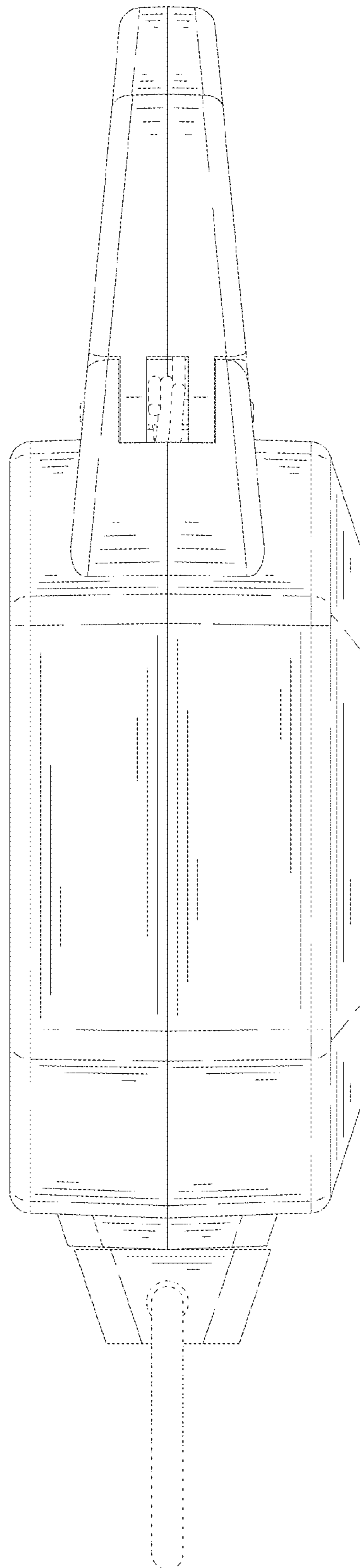


FIG. 6

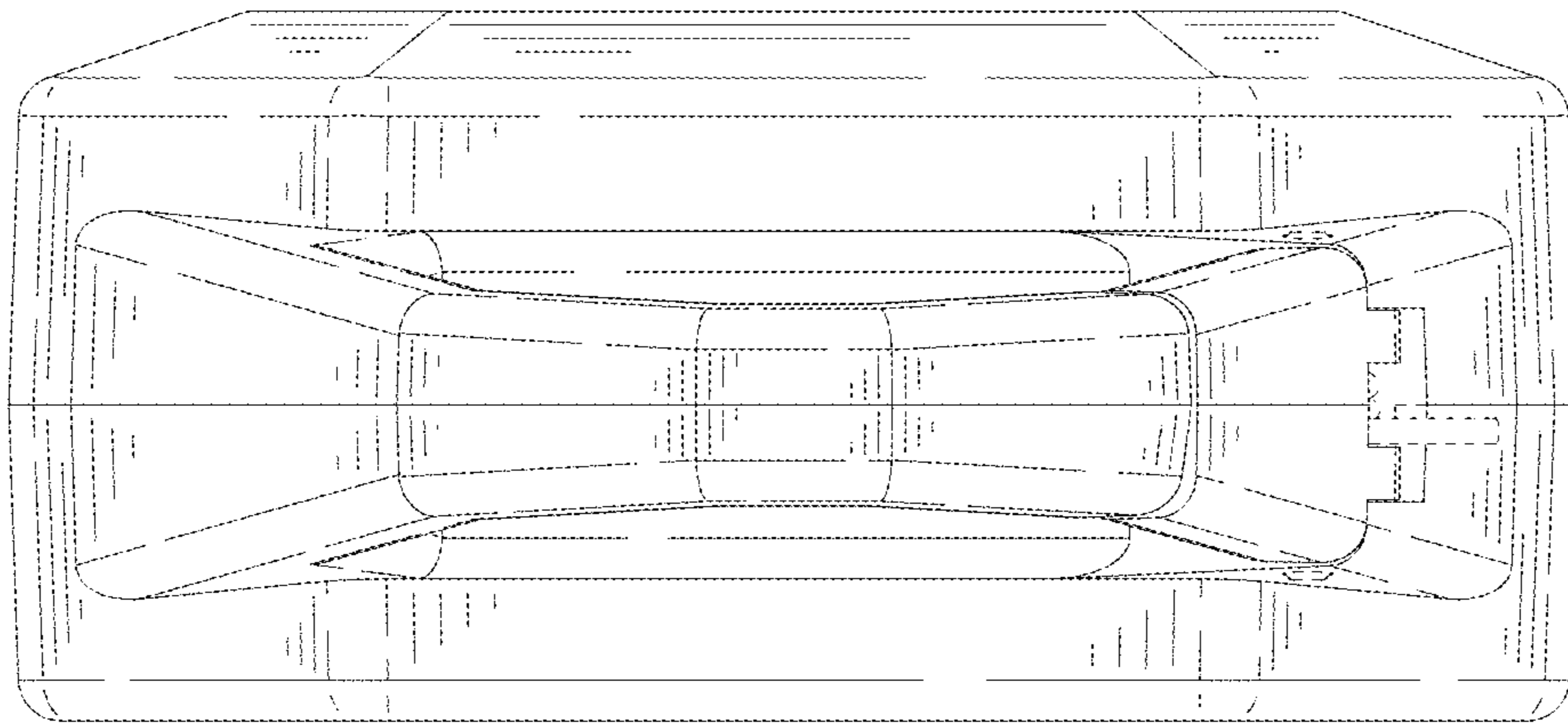


FIG. 7

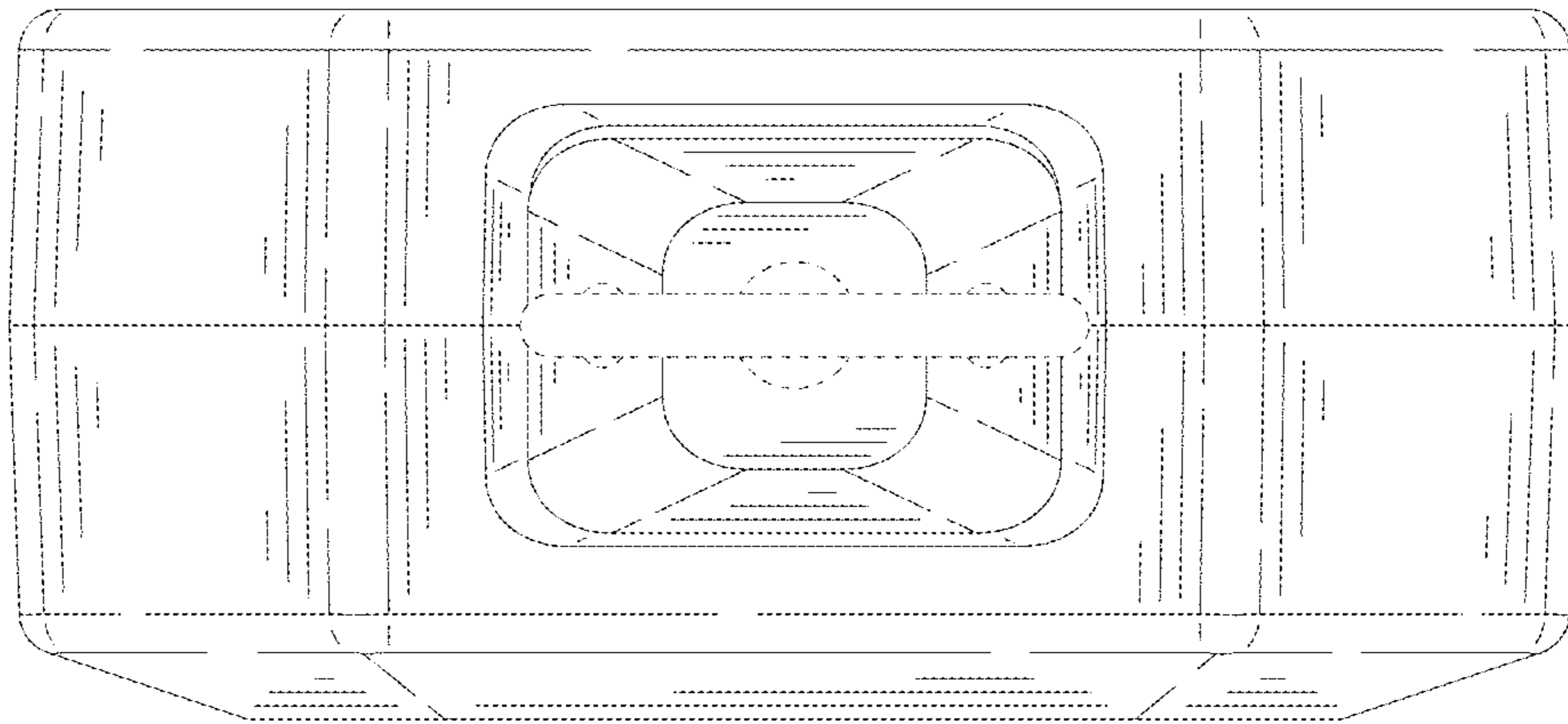


FIG. 8