



US00D979376S

(12) **United States Design Patent** (10) **Patent No.:** **US D979,376 S**
Kelly et al. (45) **Date of Patent:** **** Feb. 28, 2023**

(54) **ENCLOSED STRUCTURAL SUPPORT**

FOREIGN PATENT DOCUMENTS

(71) Applicant: **Meadow Burke, LLC**, Riverview, FL (US)

CA 2776394 5/2012
CH 305283 1/1954

(Continued)

(72) Inventors: **David Kelly**, Sacramento, CA (US);
Michael J. Recker, Palmetto, FL (US);
Gary Hartman, Riverview, FL (US);
Ronald G. Naumann, Valrico, FL (US)

OTHER PUBLICATIONS

Facebook Rapid Lok, Date Visited: Apr. 18, 2022, Facebook , Date Available: Feb. 28, 2019, <https://www.facebook.com/pg/MeadowBurke/posts/> (Year: 2019).*

(Continued)

(73) Assignee: **MEADOW BURKE, LLC**, Riverview, FL (US)

(**) Term: **15 Years**

Primary Examiner — Karen S Acker
Assistant Examiner — Elizabeth S Ko

(21) Appl. No.: **29/720,068**

(74) *Attorney, Agent, or Firm* — Sheridan Ross P.C.

(22) Filed: **Jan. 9, 2020**

(51) **LOC (14) Cl.** **08-05**

(52) **U.S. Cl.**

USPC **D8/354**

(58) **Field of Classification Search**

USPC D8/330, 349, 353-354, 364, 367, 381,
D8/371, 373; D14/140, 432; D6/300,
D6/301

CPC ... E04C 5/18; E04C 5/168; E04C 5/20; E04C
2/044; E04C 2/288; E04C 2/384; E04C
2002/047; E04C 2003/026; E04C 5/02;
E04C 5/03; E04C 5/16; E04C 5/163;
E04C 5/201; E04C 5/203; F16M 13/02;
F16M 11/041; F16M 13/022; A47B
97/001; A47B 45/00; A47B 57/56; A47B
81/00

See application file for complete search history.

(56) **References Cited**

U.S. PATENT DOCUMENTS

693,127 A 2/1902 Gardner et al.
1,189,988 A 7/1916 Moody
1,201,540 A 10/1916 Banes
2,053,873 A 9/1936 Niederhofer
2,218,894 A 10/1940 Schlosser
2,336,604 A 12/1943 Edward et al.

(Continued)

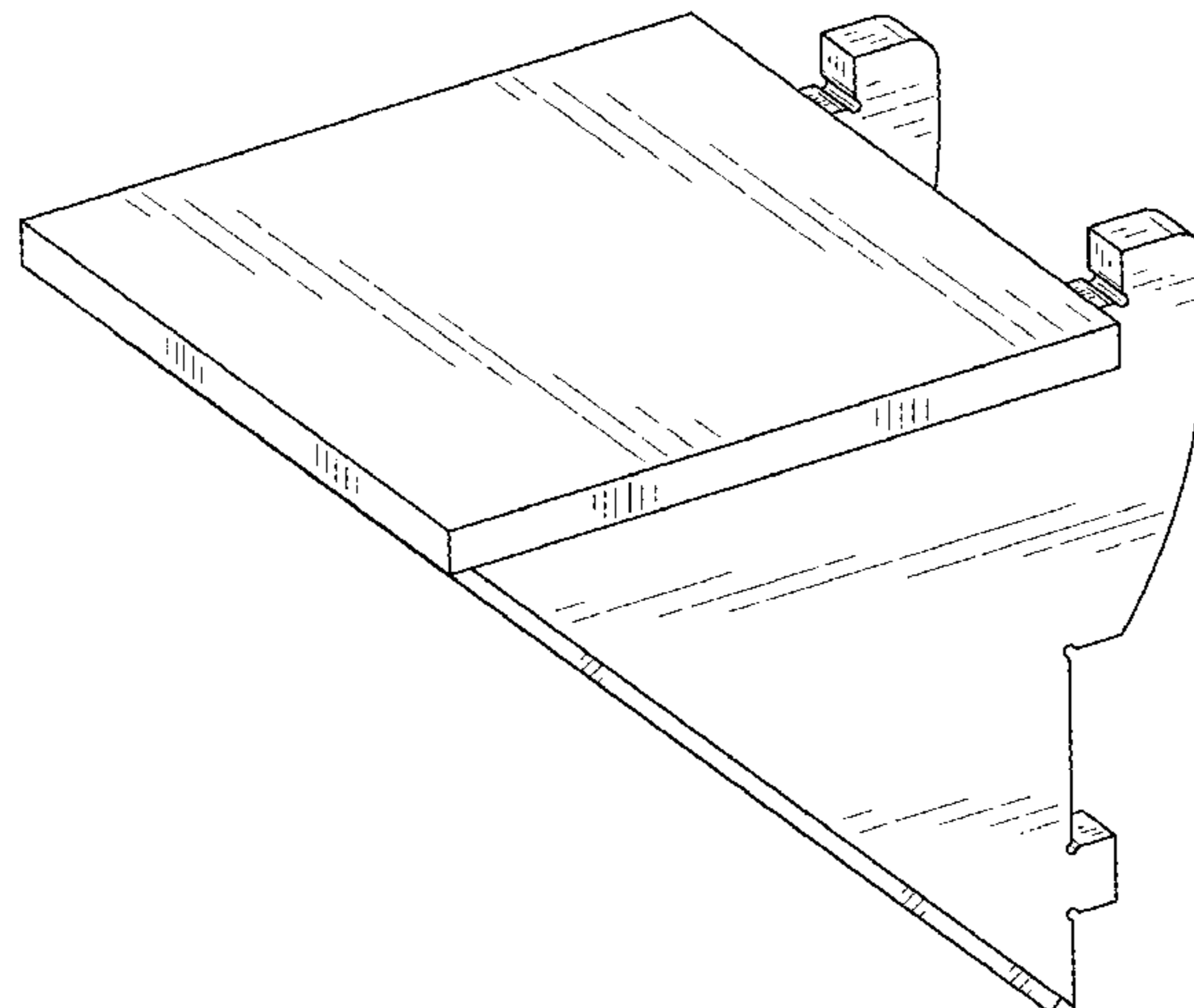
(57) **CLAIM**

The ornamental design for an enclosed structural support, as shown and described.

DESCRIPTION

FIG. 1 is a front perspective view of an enclosed structural support according to the new design;
FIG. 2 is a rear perspective view of the enclosed structural support of FIG. 1;
FIG. 3 is a front elevation view of the enclosed structural support of FIG. 1;
FIG. 4 is a rear elevation view of the enclosed structural support of FIG. 1;
FIG. 5 is a right elevation view of the enclosed structural support of FIG. 1;
FIG. 6 is a left elevation view of the enclosed structural support of FIG. 1;
FIG. 7 is a top plan view of the enclosed structural support of FIG. 1; and,
FIG. 8 is a bottom plan view of the enclosed structural support of FIG. 1.

1 Claim, 8 Drawing Sheets



(56)

References Cited

U.S. PATENT DOCUMENTS

2,355,651 A 8/1944 Hormes
 2,477,735 A 8/1949 Gentile
 2,622,834 A 12/1952 Birger
 2,660,050 A 11/1953 Hosbein et al.
 2,681,786 A 6/1954 Birger
 2,913,210 A 11/1959 Tichnor
 2,940,603 A 6/1960 Riedmaier et al.
 3,085,693 A 4/1963 Shell
 3,187,924 A 6/1965 William
 3,273,847 A 9/1966 Berman
 3,360,898 A 1/1968 Beckman
 3,471,988 A 10/1969 Allen
 3,537,671 A 11/1970 Wenthe
 3,604,669 A 9/1971 Asher
 3,613,900 A 10/1971 Chiu
 3,628,762 A 12/1971 Williams et al.
 3,637,086 A 1/1972 Klein
 3,652,048 A 3/1972 Hartman
 3,701,325 A 10/1972 Fenwick
 3,737,131 A 6/1973 Larson
 3,858,988 A 1/1975 Cohen
 3,888,441 A 6/1975 Rebentisch
 3,896,718 A 7/1975 Giambalvo
 3,915,308 A 10/1975 Ratszloff et al.
 3,954,243 A 5/1976 Sharp et al.
 D254,290 S 2/1980 Smith
 4,198,913 A 4/1980 Haworth et al.
 4,378,925 A 4/1983 Griffin
 4,403,700 A 9/1983 Manlove
 4,528,915 A 7/1985 Cofer
 4,588,866 A 5/1986 Monti
 4,615,448 A 10/1986 Johnstonbaugh
 4,687,094 A 8/1987 Allsop et al.
 D295,950 S 5/1988 Johnston
 4,817,900 A 4/1989 Whittington et al.
 4,835,933 A 6/1989 Yung
 4,951,438 A 8/1990 Thoresen
 5,038,689 A 8/1991 Duffy
 5,150,553 A 9/1992 Commins et al.
 5,154,388 A 10/1992 Magaro
 5,185,971 A 2/1993 Johnson, Jr.
 5,379,976 A 1/1995 Degirolamo
 5,472,103 A 12/1995 Merl
 5,548,939 A 8/1996 Carmical
 5,711,122 A 1/1998 Lee
 5,778,625 A 7/1998 Druffel et al.
 5,881,519 A 3/1999 Newkirk
 5,899,035 A 5/1999 Walkes et al.
 6,019,331 A 2/2000 Hoogland et al.
 6,101,773 A 8/2000 Chau et al.
 6,212,848 B1 4/2001 Cooper
 6,223,916 B1 5/2001 Enos
 6,273,435 B1 8/2001 Sringer
 6,298,631 B1 10/2001 Finley
 6,494,639 B1 12/2002 Friend
 6,499,608 B1 12/2002 Sterling et al.
 6,546,684 B2 4/2003 Wallkes et al.
 6,672,226 B2 1/2004 Bohnacker
 D511,086 S * 11/2005 Craine D8/354
 D513,171 S * 12/2005 Richardson D8/394
 D521,851 S * 5/2006 Smart D8/354
 7,086,544 B1 8/2006 Doench
 7,681,366 B2 3/2010 De Gobbi
 7,686,172 B2 3/2010 Wisnoski et al.
 7,726,091 B2 6/2010 Frohlich et al.
 7,793,450 B2 9/2010 Chasmer et al.
 8,209,924 B2 7/2012 Foley

8,209,925 B2 7/2012 Foley
 8,365,484 B2 2/2013 Foley
 8,468,764 B2 6/2013 Degen et al.
 D701,107 S * 3/2014 White D8/354
 D706,321 S * 6/2014 Oetlinger D15/138
 D715,339 S * 10/2014 Oetlinger D15/138
 9,277,814 B2 3/2016 Winker
 9,326,602 B2 5/2016 Gupta
 D772,775 S * 11/2016 Bird D12/223
 9,528,271 B2 * 12/2016 Rook E04D 13/00
 10,233,630 B1 3/2019 Francies, III
 10,370,845 B2 3/2019 Francies, III
 D851,482 S * 6/2019 Ferman D8/381
 D857,480 S * 8/2019 Ryan D8/354
 D857,483 S * 8/2019 Bevier D8/402
 D861,465 S * 10/2019 Haider D8/349
 10,480,197 B2 11/2019 Hohmann
 D883,774 S * 5/2020 Comalander D8/380
 D885,868 S * 6/2020 Hilmerson D8/354
 D887,251 S * 6/2020 Fox D8/354
 D891,229 S * 7/2020 Hohmann, Jr. D8/354
 D891,230 S * 7/2020 Fox D8/354
 D895,403 S * 9/2020 Fox D8/354
 D904,170 S * 12/2020 Francis D8/354
 D920,081 S * 5/2021 Peterson D8/354
 D939,331 S * 12/2021 Comalander D8/380
 2004/0050012 A1 3/2004 Pulkkanen et al.
 2007/0137135 A1 6/2007 Shymkovich
 2013/0248671 A1 9/2013 Schleiermacher et al.
 2018/0283012 A1 10/2018 Hohmann, Jr.
 2018/0347179 A1 12/2018 Kelly et al.
 2021/0277650 A1 9/2021 Recker et al.
 2022/0010545 A1 1/2022 Recker et al.

FOREIGN PATENT DOCUMENTS

CH	684240	8/1994
DE	120510	12/1899
DE	1222634	8/1966
GB	173031	12/1921
GB	605669	7/1948
GB	2031715	4/1980

OTHER PUBLICATIONS

Official Action for Canadian Patent Application No. 3006818, dated Feb. 4, 2020, 3 pages.
 Official Action for U.S. Appl. No. 15/994,084, dated Apr. 16, 2020, 12 pages.
 U.S. Appl. No. 16/735,576, filed Jan. 6, 2020, Kelly et al.
 Nafadi et al. "Ledge behavior and strength of long-span L-shaped beams," PCI Journal, Mar.-Apr. 2018, p. 50-66.
 Official Action for Canadian Patent Application No. 3006818, dated Jun. 18, 2019, 3 pages.
 Official Action for U.S. Appl. No. 15/994,084, dated Aug. 20, 2019, 9 pages. Restriction Requirement.
 Official Action for U.S. Appl. No. 15/994,084, dated Oct. 10, 2019, 9 pages.
 Notice of Allowance for Canada Patent Application No. 3,006,818, dated Aug. 27, 2020 1 page.
 Official Action for Canadian Patent Application No. 3103889, dated Apr. 6, 2022, 4 pages.
 Notice of Allowance for U.S. Appl. No. 15/994,084, dated Sep. 1, 2020 5 pages.
 Official Action for U.S. Appl. No. 16/735,576, dated Apr. 1, 2022 14 pages.

* cited by examiner

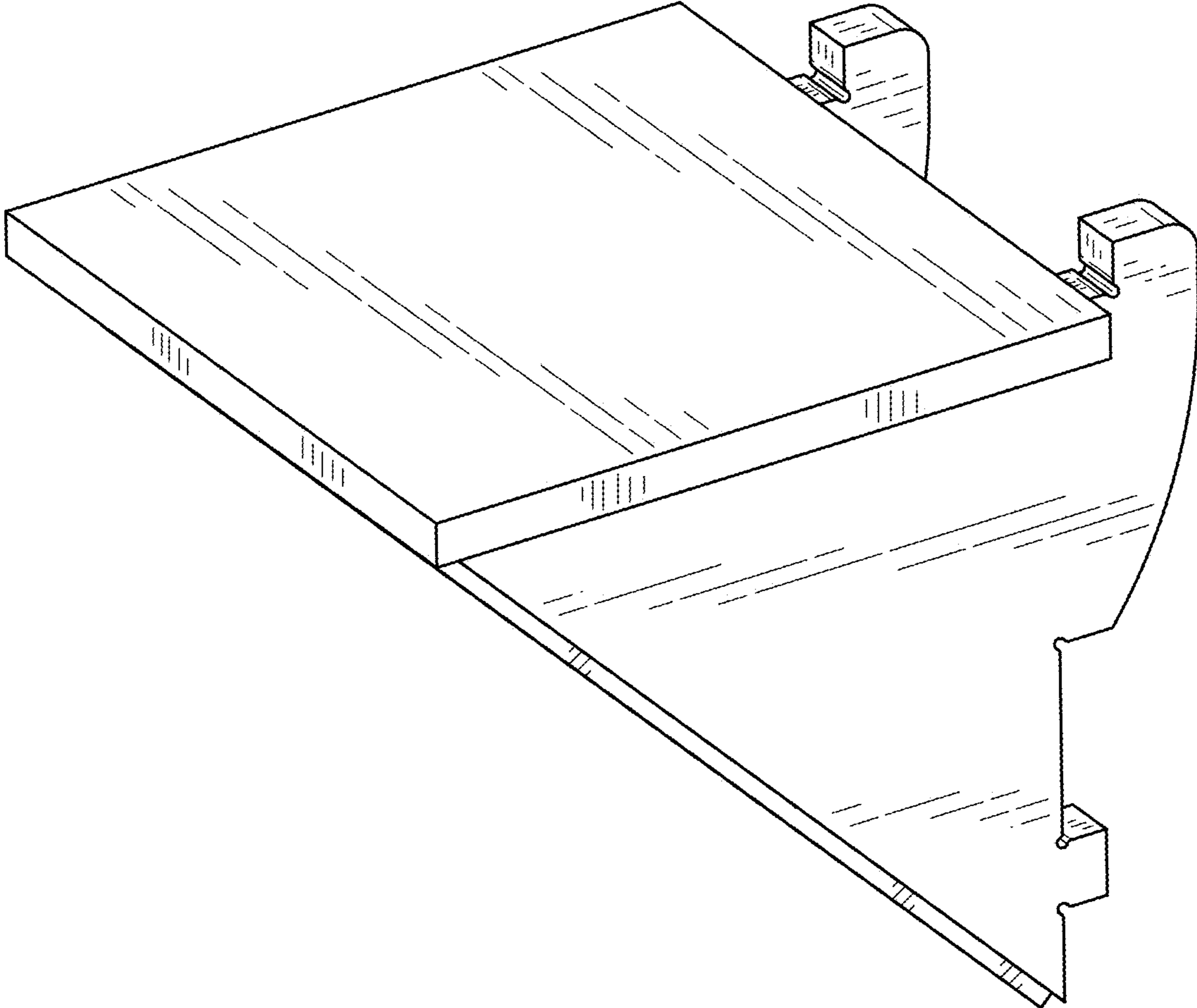


FIG.1

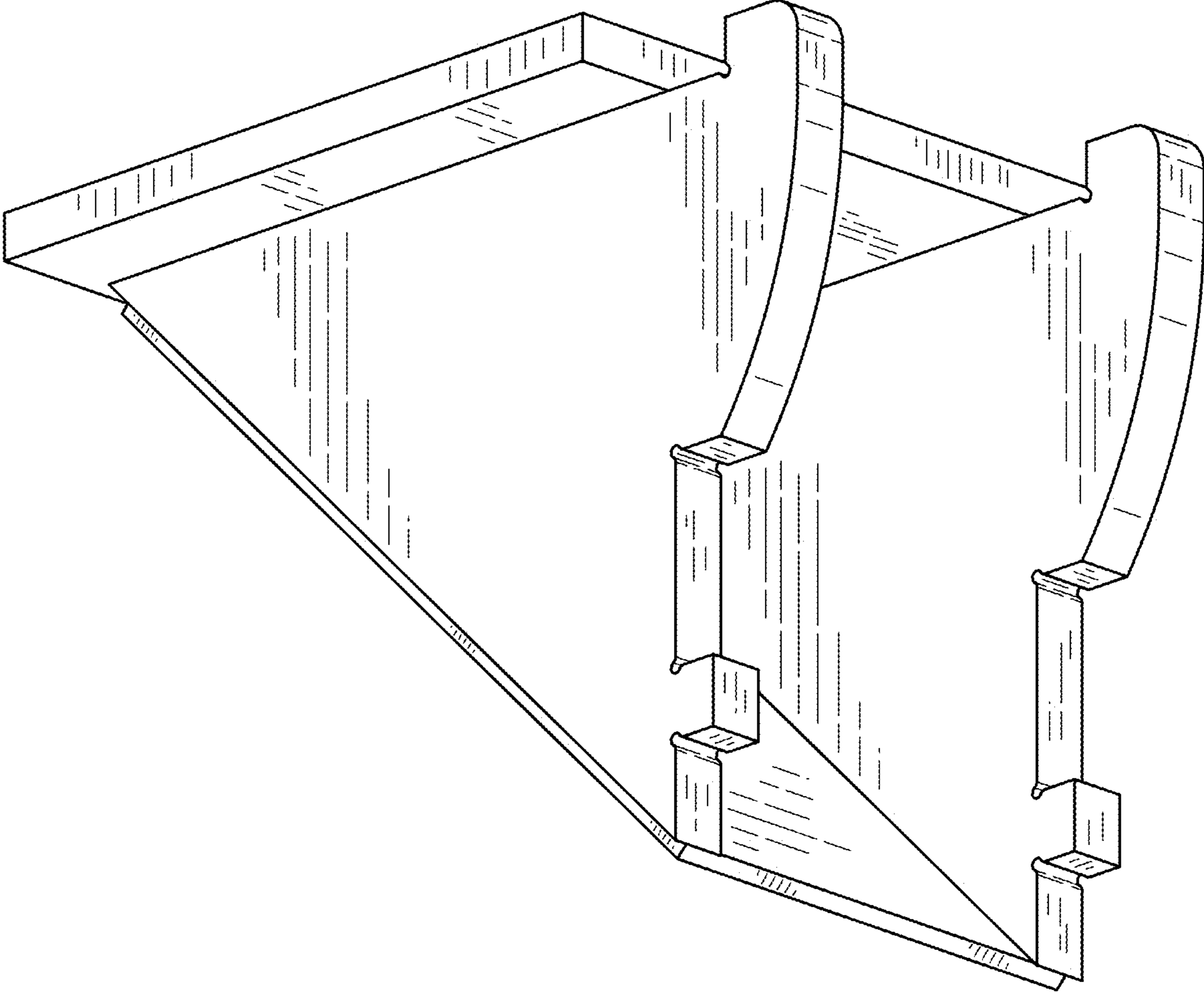


FIG.2

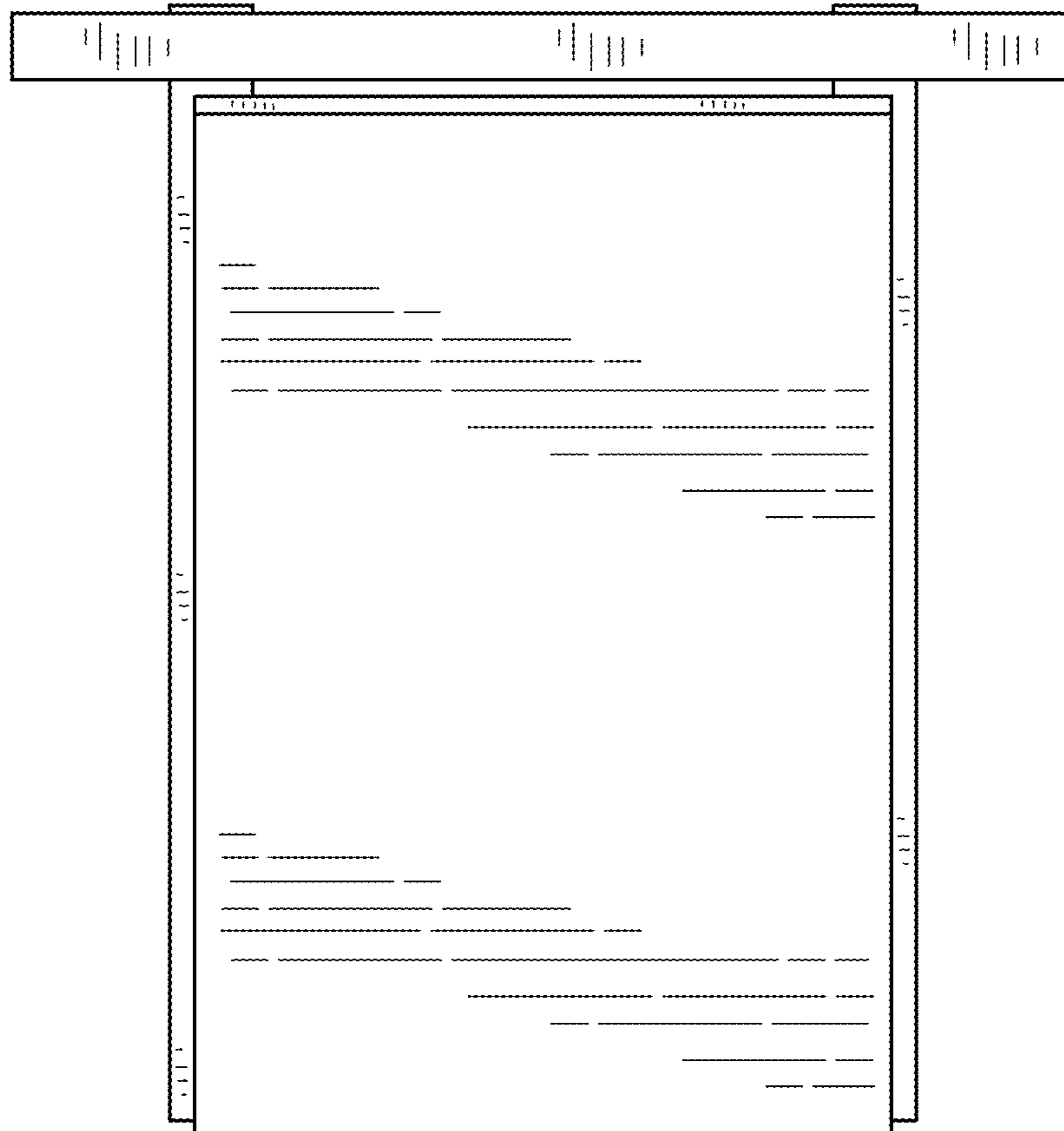


FIG.3

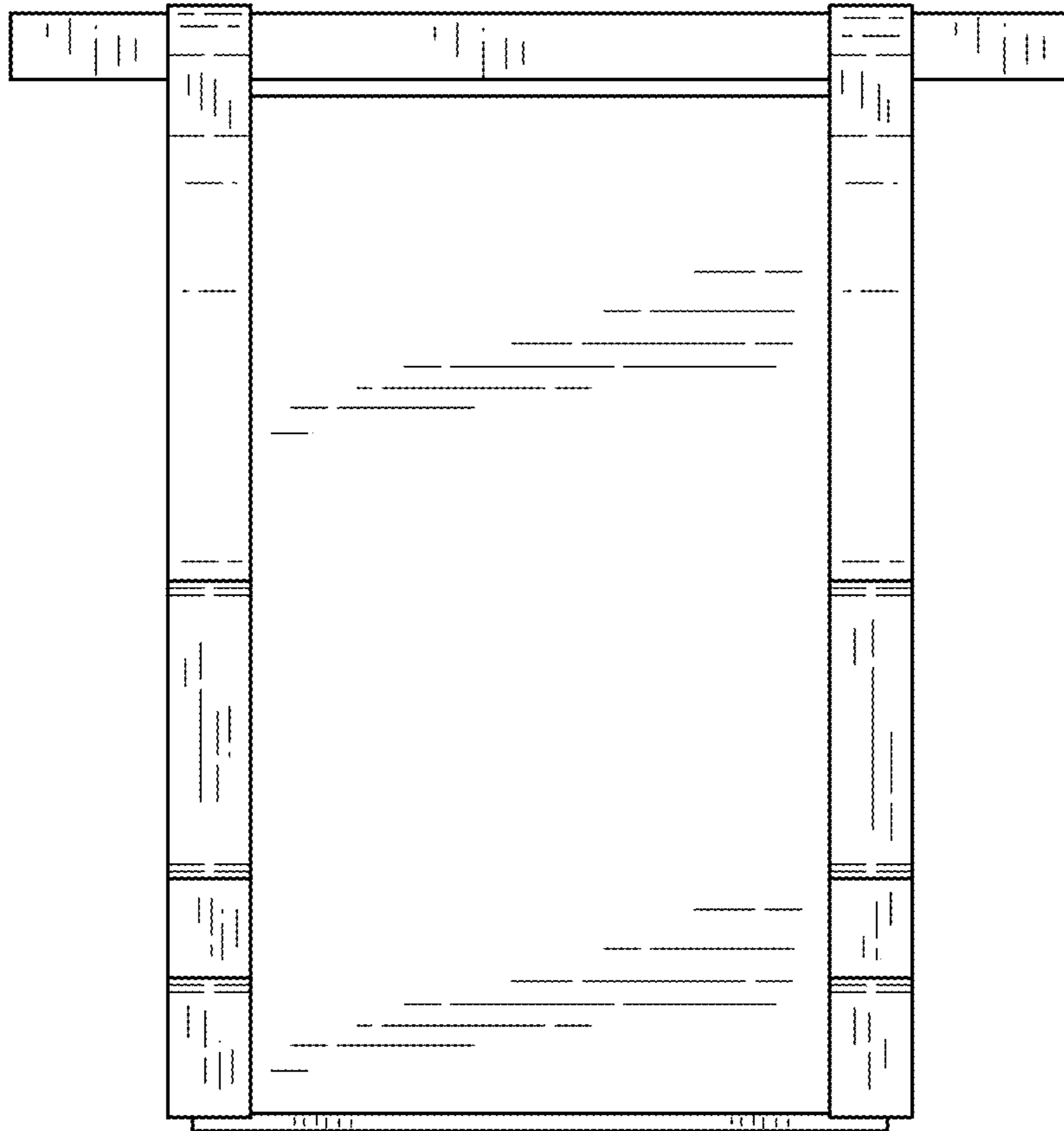


FIG.4

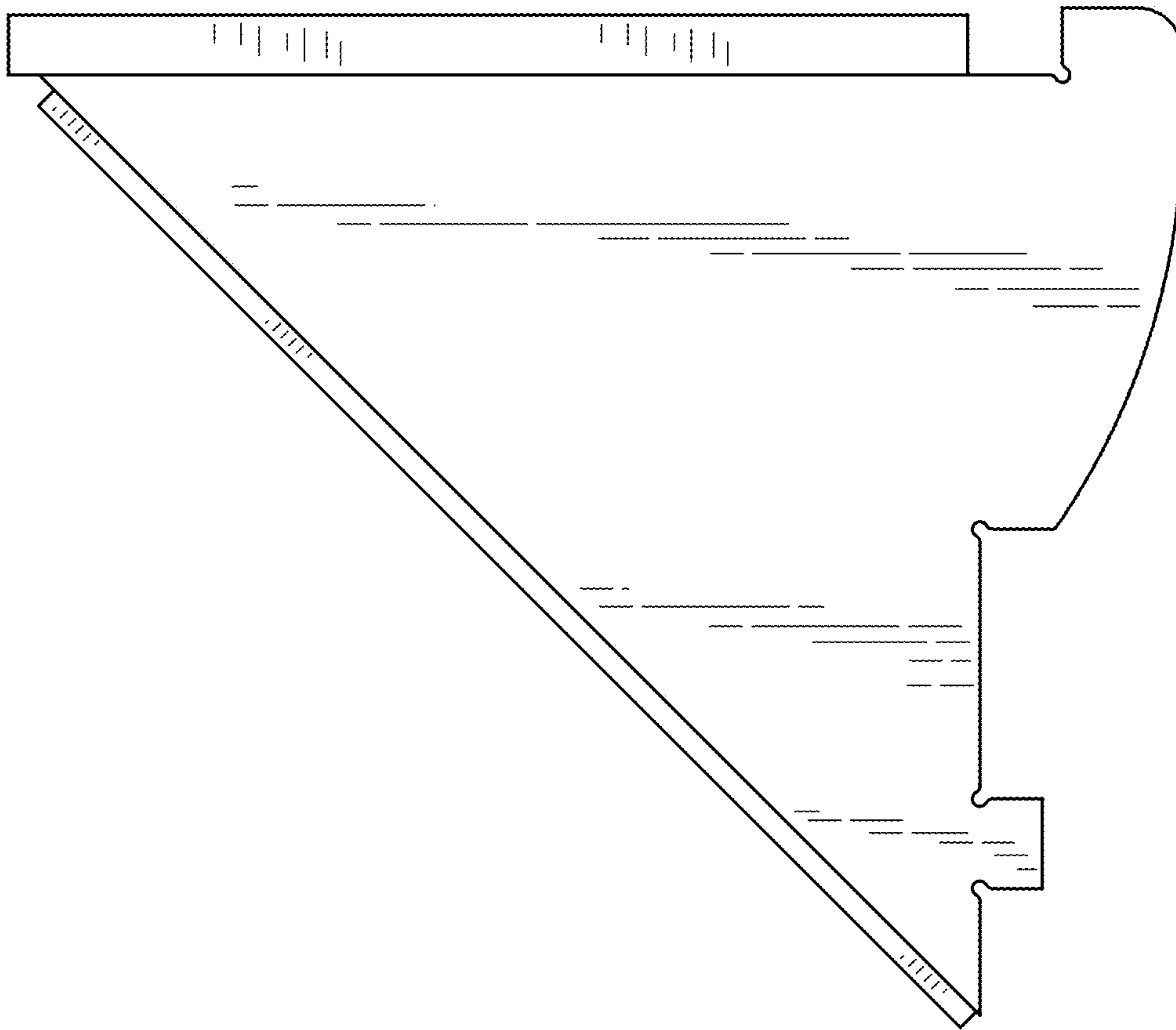


FIG.5

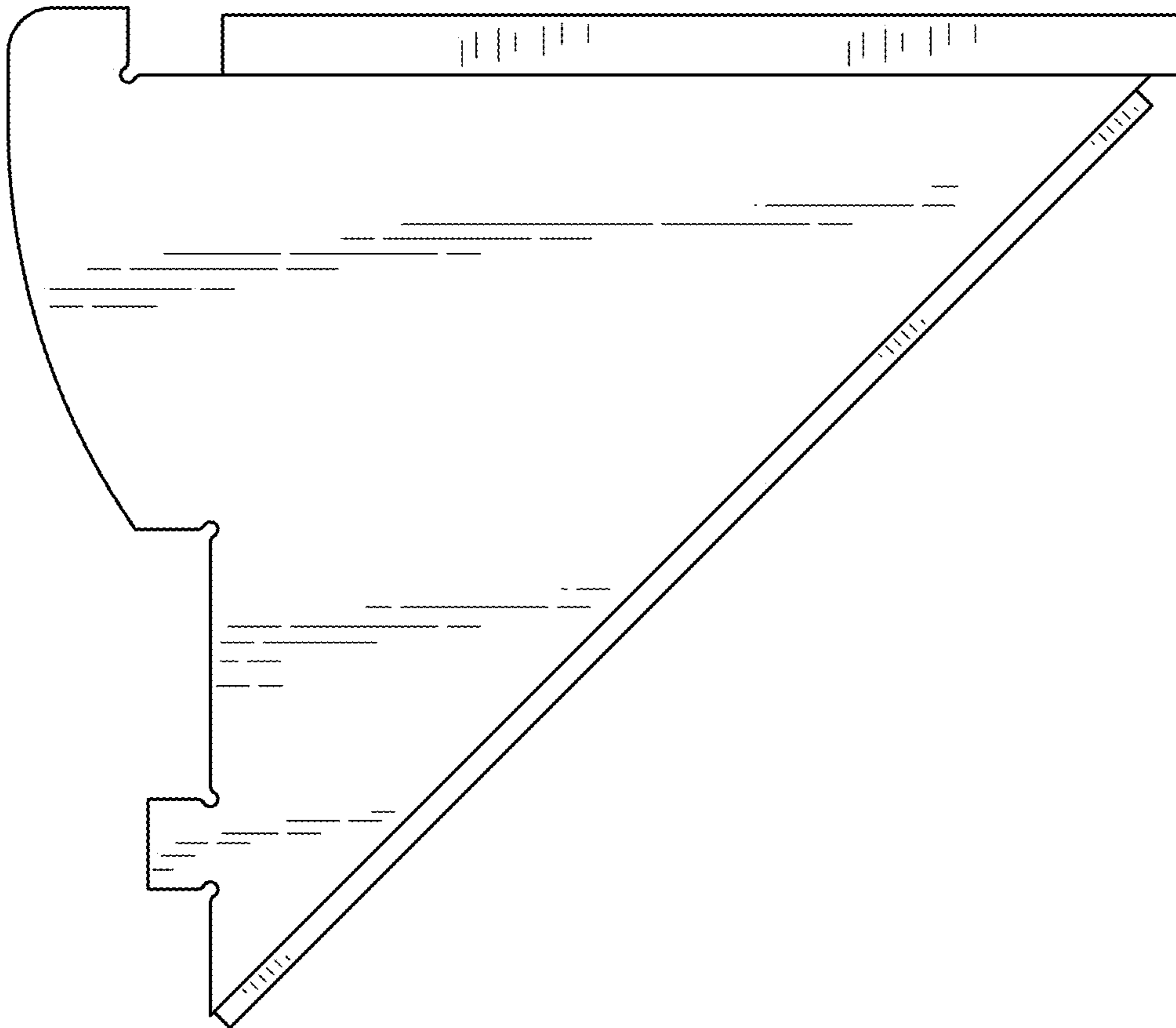


FIG.6

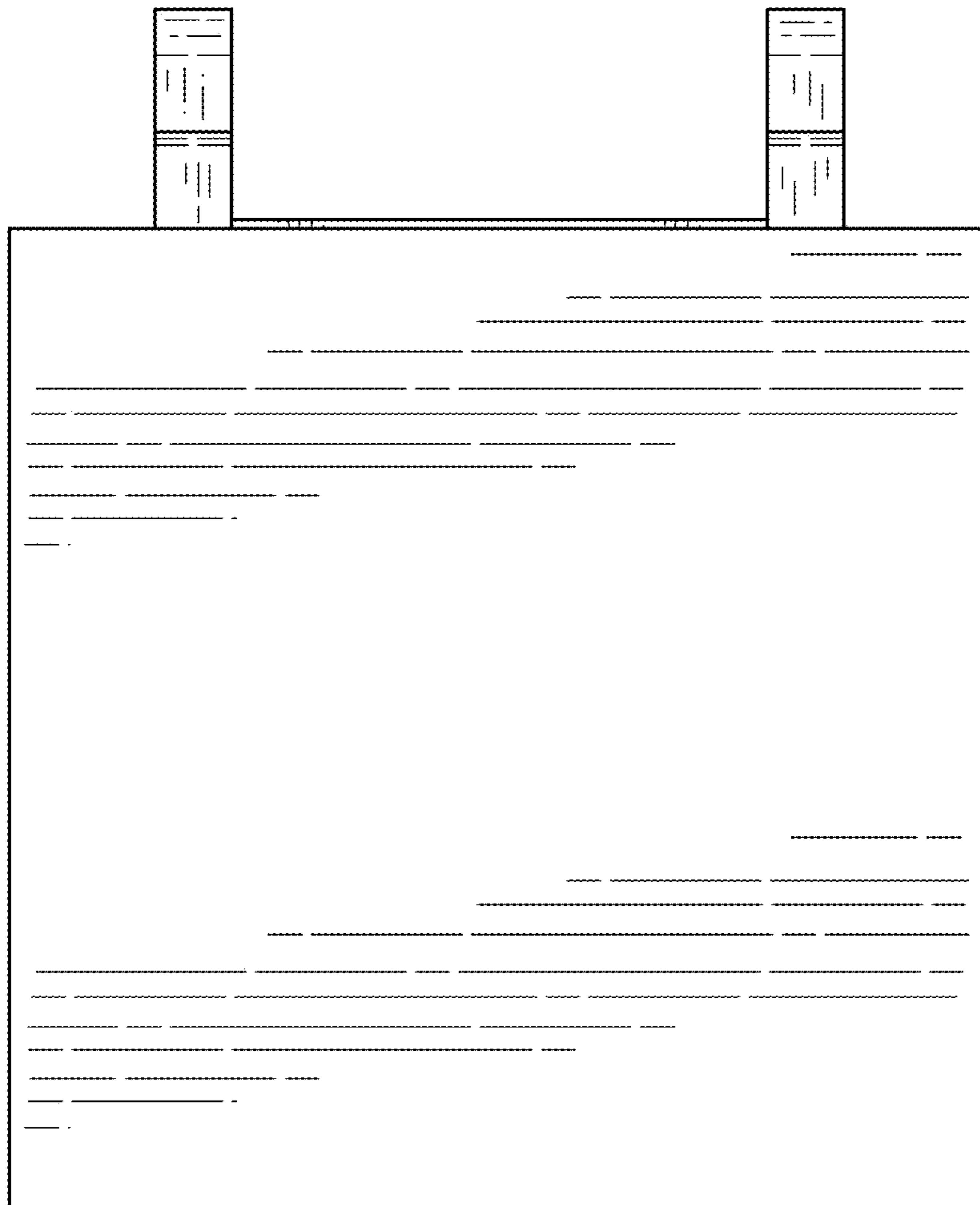


FIG.7

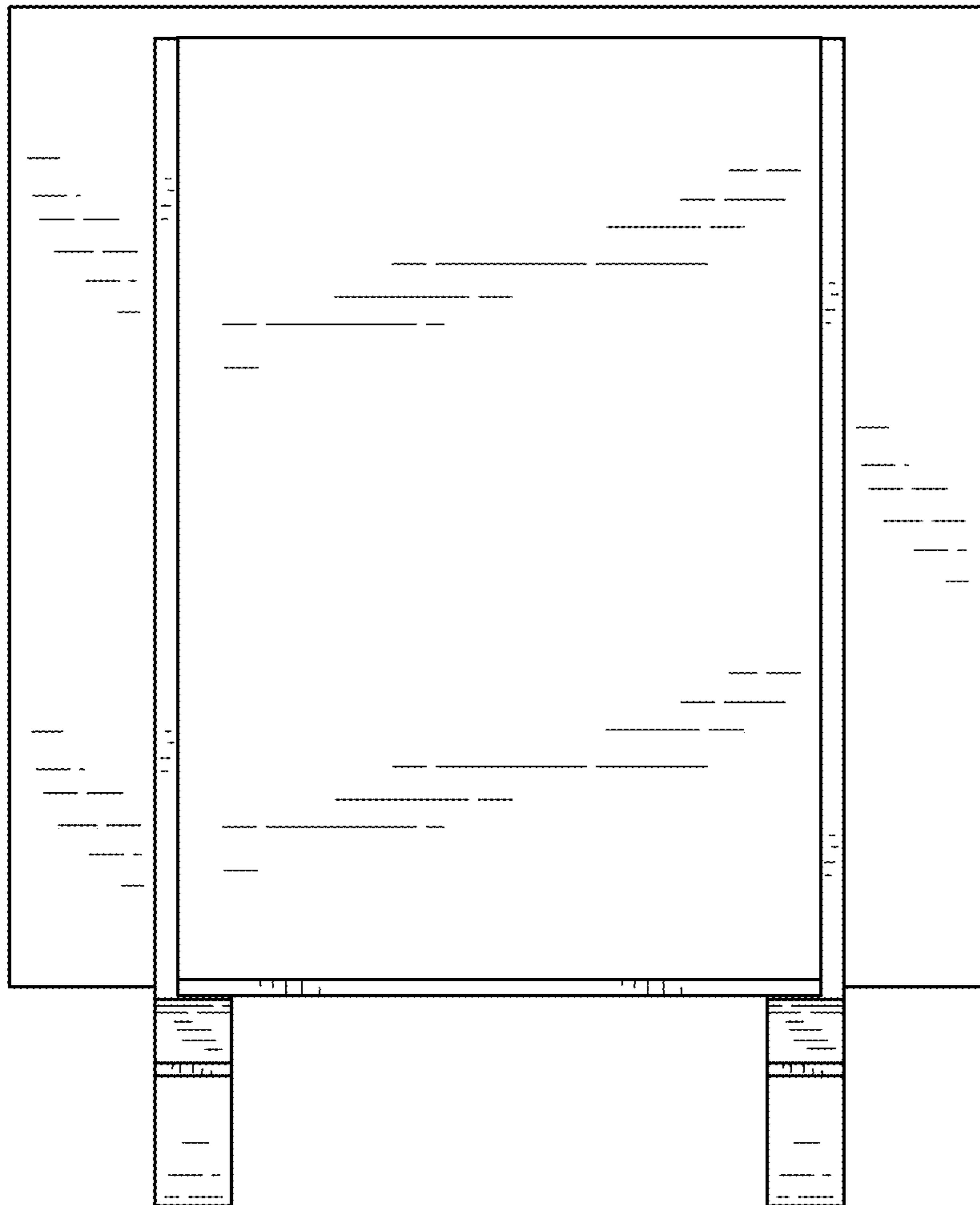


FIG.8