



US00D979375S

(12) **United States Design Patent** (10) **Patent No.:** **US D979,375 S**
Schmaltz (45) **Date of Patent:** **** Feb. 28, 2023**

(54) **BRACKET ASSEMBLY**

(71) Applicant: **Hawaii Aquatics Foundation**, Kailua, HI (US)

(72) Inventor: **Dean E. Schmaltz**, Kailua, HI (US)

(**) Term: **15 Years**

(21) Appl. No.: **29/723,313**

(22) Filed: **Feb. 5, 2020**

(51) **LOC (14) Cl.** **08-08**

(52) **U.S. Cl.**
USPC **D8/349**

(58) **Field of Classification Search**

USPC D8/349, 353, 354, 381; D25/2

CPC E04H 9/0237; F16B 7/22; F16B 5/00

See application file for complete search history.

(56) **References Cited**

U.S. PATENT DOCUMENTS

2,673,105	A *	3/1954	Fitzgerald	F16B 7/0486
					403/186
6,802,169	B2 *	10/2004	Simmons	F16B 7/22
					403/187
D550,484	S *	9/2007	Bonatti	D8/349
D569,228	S *	5/2008	Terada	D8/349
D598,735	S *	8/2009	Wakasugi	D8/382
D610,439	S *	2/2010	Wood	D8/381
D626,823	S *	11/2010	Wood	D8/381
D626,824	S *	11/2010	Wood	D8/381
D639,144	S *	6/2011	Schaefer	D25/122
D769,108	S *	10/2016	Eberl	D8/380
D866,296	S *	11/2019	Ohse	D8/354
D889,941	S *	7/2020	McCoy	D8/380

OTHER PUBLICATIONS

8020 Joining Plate Grainger, https://www.grainger.com/product/80-20-Joining-Plate-L-Flat-Plate-29PA19?opr=PDPRRDSP&analytics=dsrItems_2RCX4, retrieved Jun. 16, 2022 (Year: 2022).*

* cited by examiner

Primary Examiner — Richard Kearney

Assistant Examiner — Benjamin M Weeks

(74) *Attorney, Agent, or Firm* — Keri Ann K. S.

Krzykowski; Martin E. Hsia

(57) **CLAIM**

The ornamental design for a bracket assembly, as shown and described.

DESCRIPTION

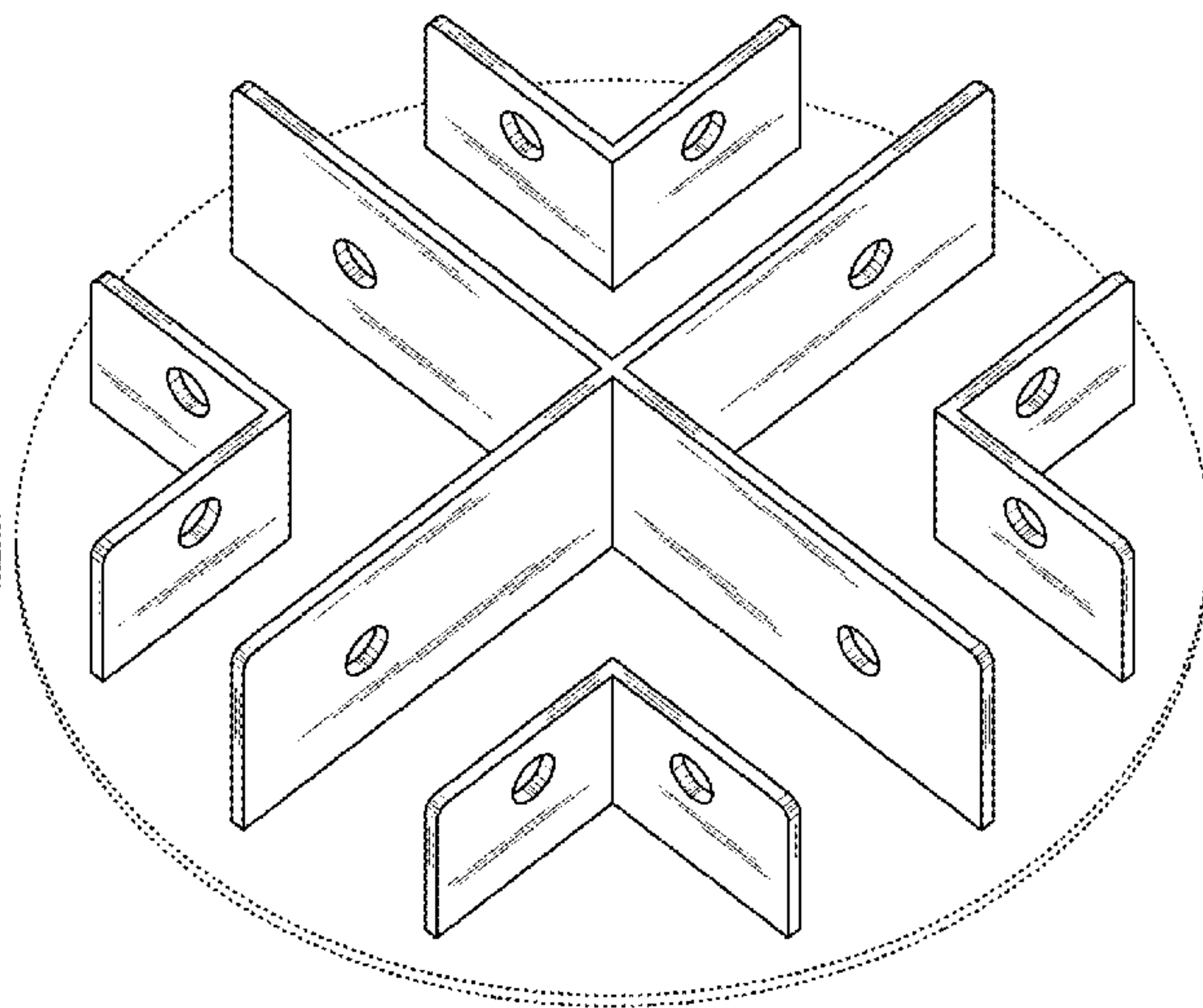
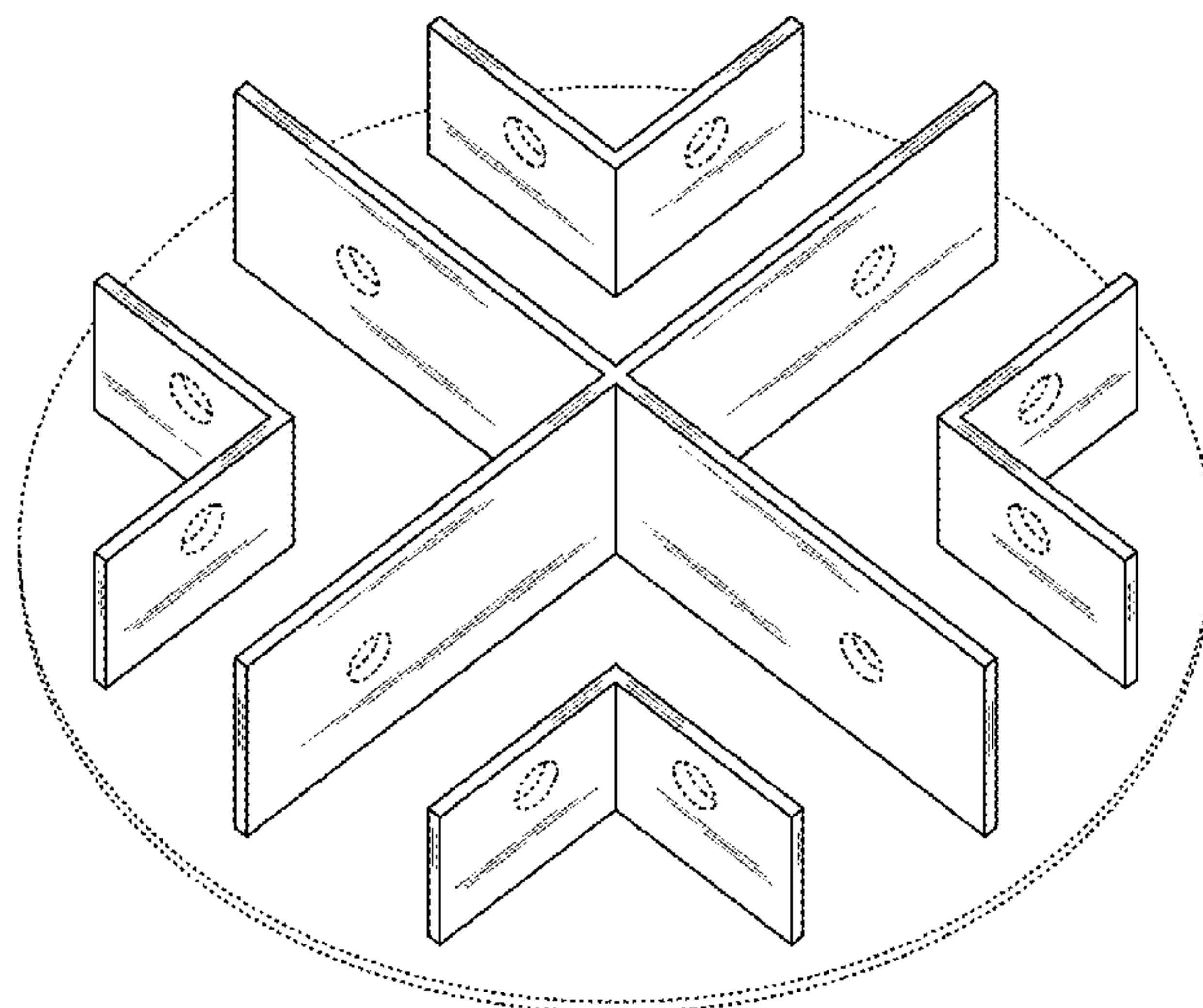
FIG. 1 is a perspective view from the top, front, right of a first embodiment of the bracket assembly of my new design; FIG. 2 is a top plan view thereof, the bottom plan view being the mirror image;

FIG. 3 is an elevational view thereof from the front, the elevational view from the rear, left and right being identical; FIG. 4 is a perspective view from the top, front, right of a second embodiment of the bracket assembly of my new design;

FIG. 5 is a top plan view thereof, the bottom plan view being the mirror image of FIG. 2; and,

FIG. 6 is an elevational view thereof from the front, the elevational view from the rear, left and right being identical. The broken lines shown in the figures illustrate environmental subject matter and portions of the bracket assembly that form no part of the claimed design.

1 Claim, 4 Drawing Sheets



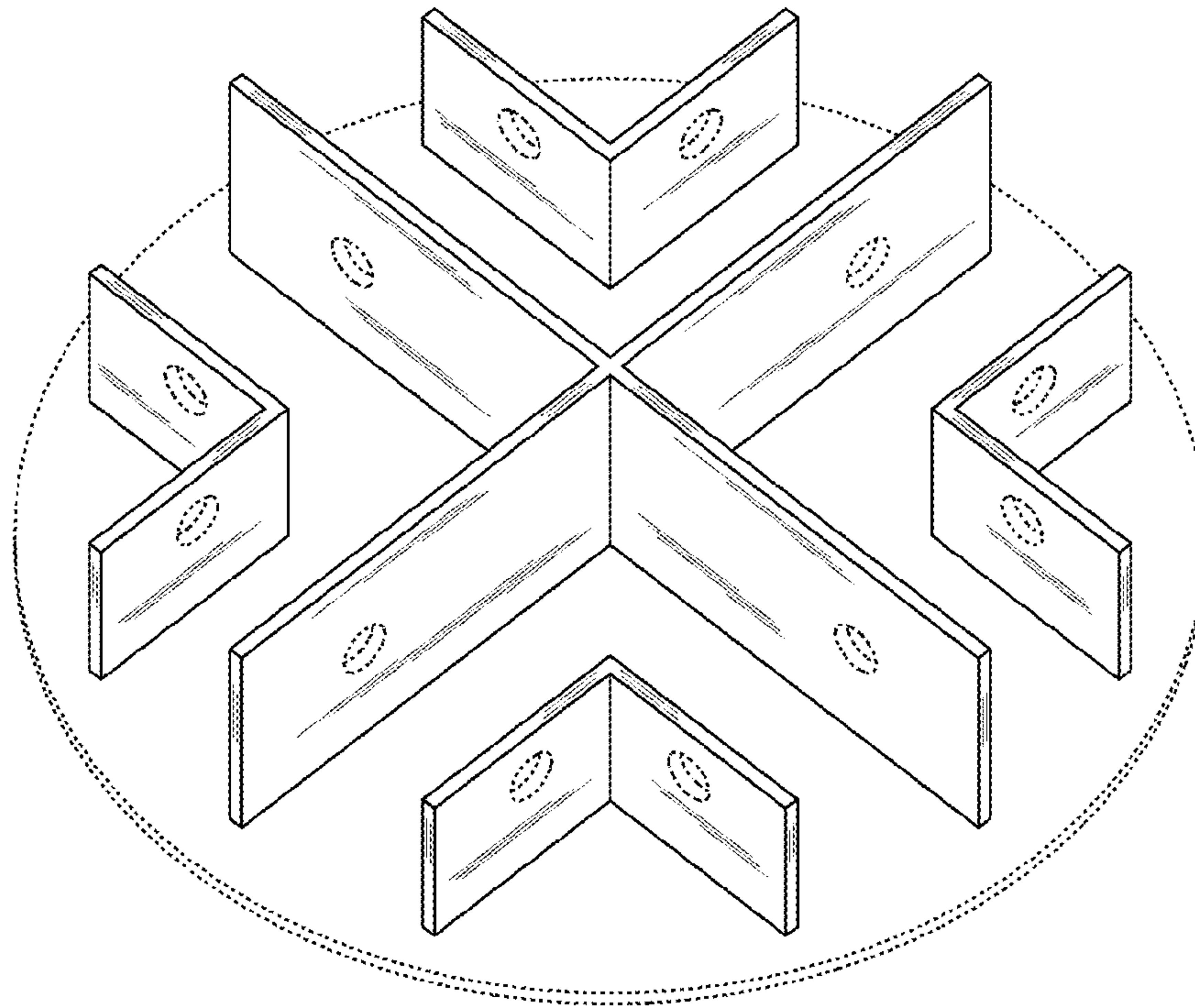


Fig. 1

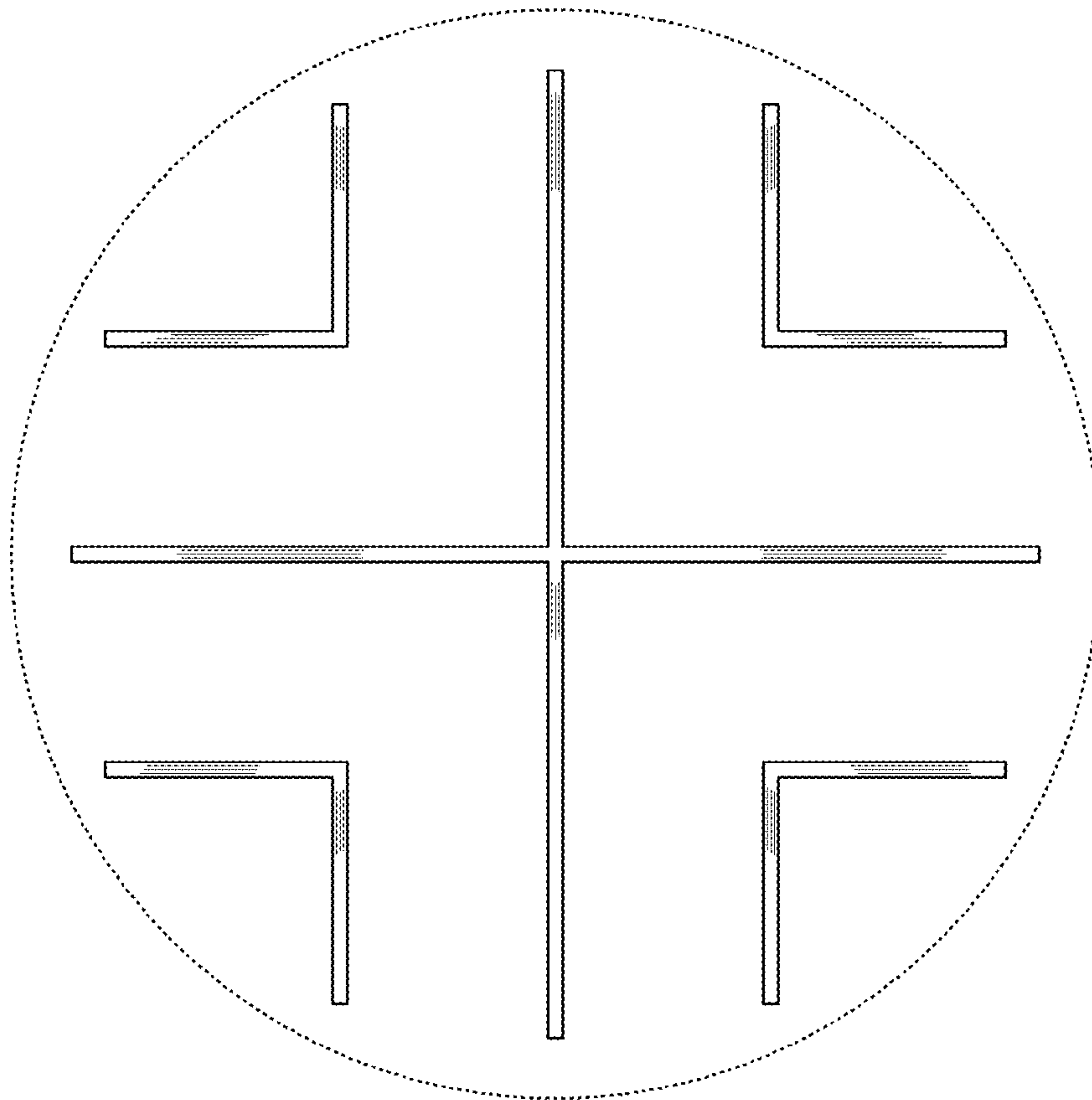


Fig. 2

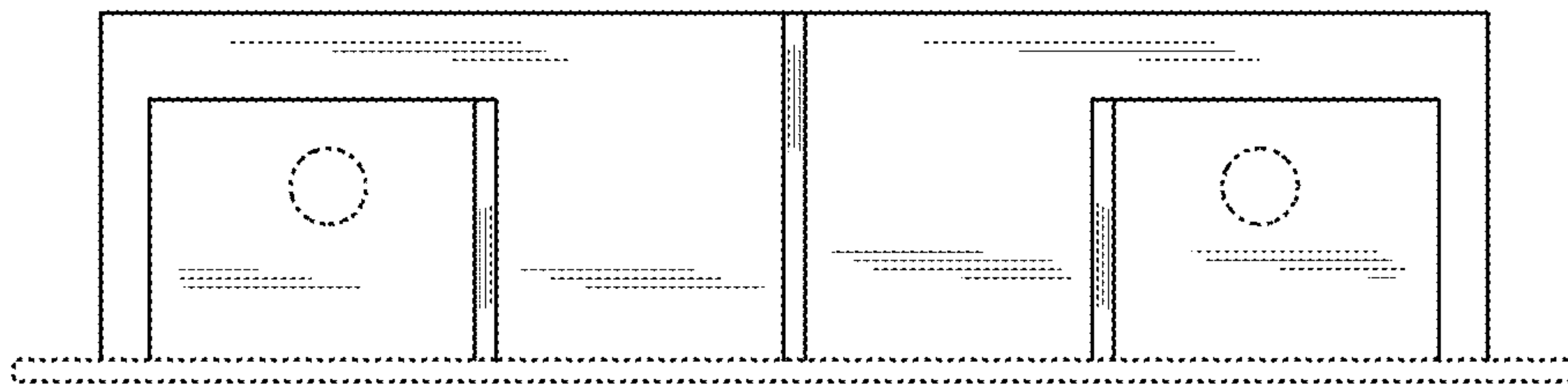


Fig. 3

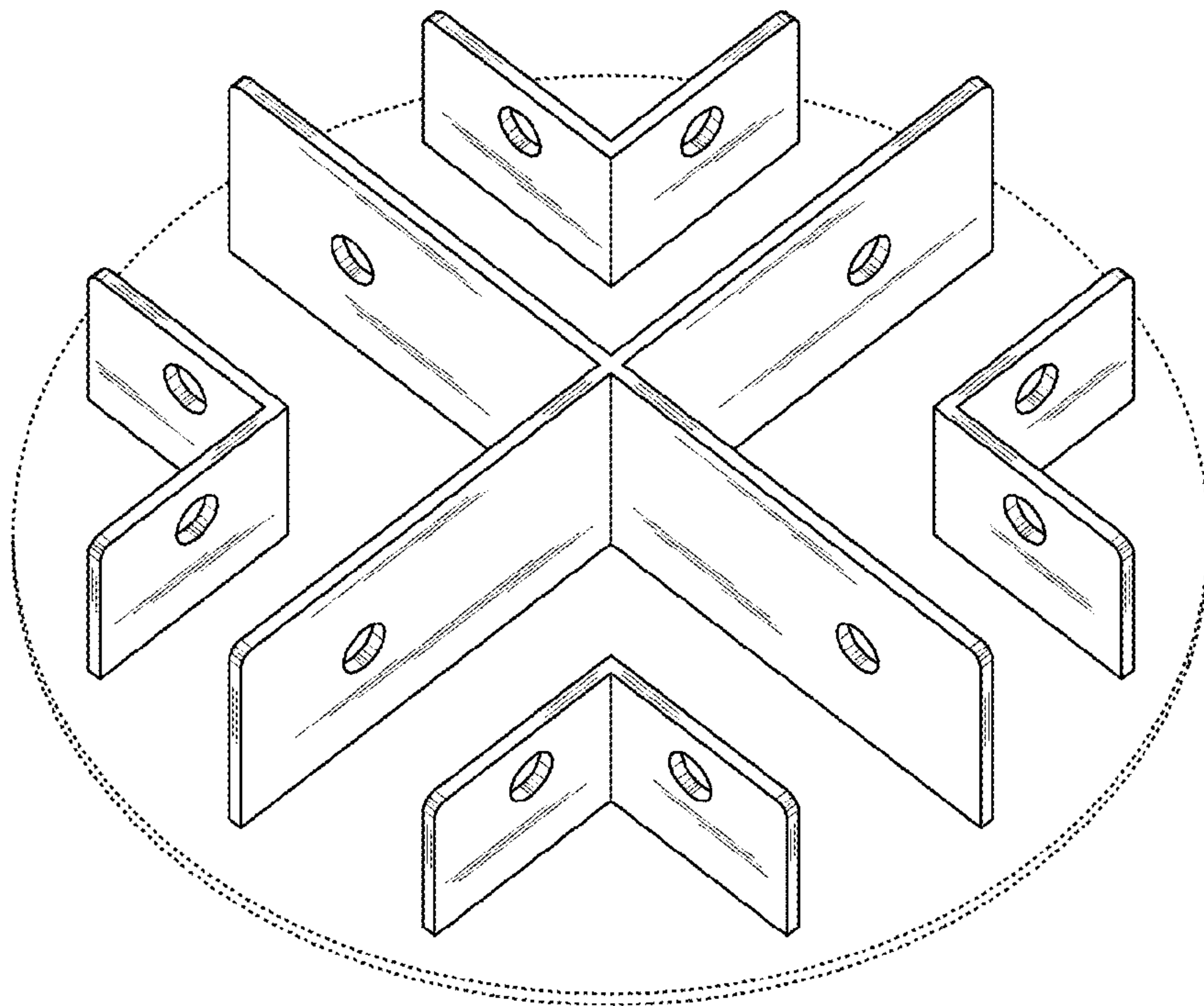


Fig. 4

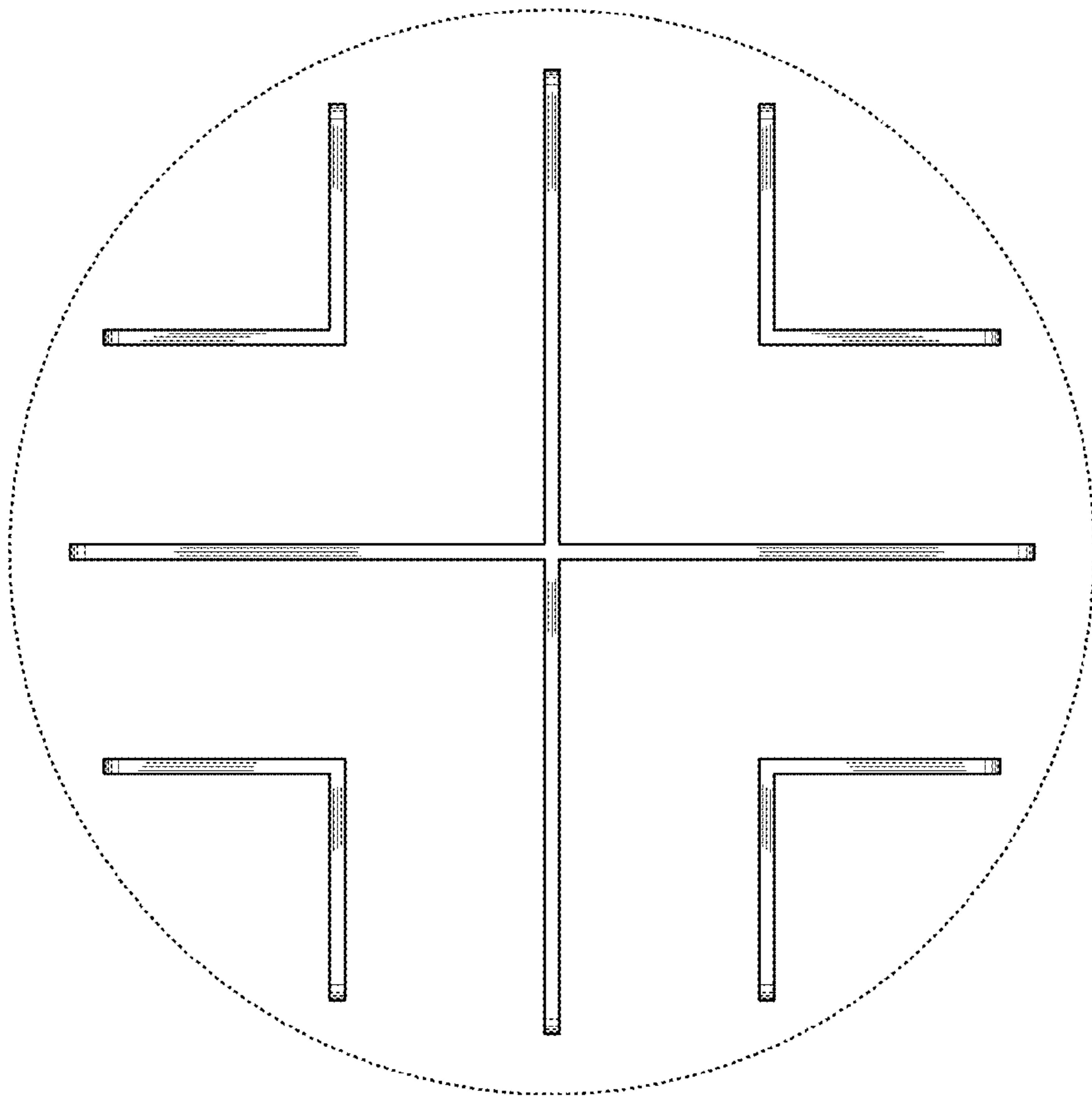


Fig. 5

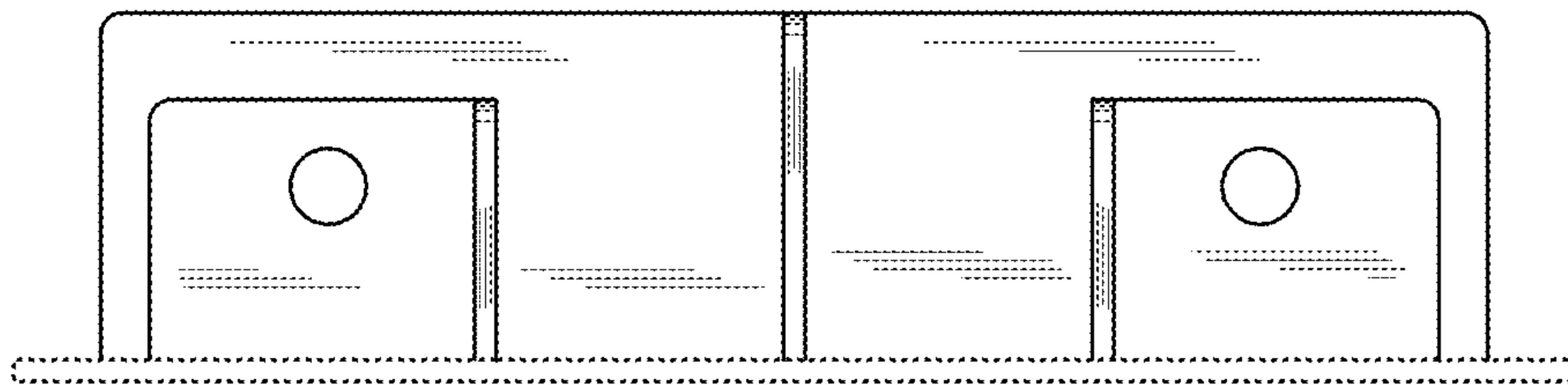


Fig. 6