

US00D979371S

(12) **United States Design Patent**
Pyne et al.

(10) **Patent No.:** **US D979,371 S**
(45) **Date of Patent:** **** Feb. 28, 2023**

(54) **OTF KNIFE**

FOREIGN PATENT DOCUMENTS

(71) Applicant: **Normandy Enterprises, LLC**,
Highland, UT (US)

DE	8116029	11/1982
EP	1040850	10/2000
WO	199429086	12/1994

(72) Inventors: **David Pyne**, Highland, UT (US);
Theodore R. Espiritu, Jr., West Valley
City, UT (US); **Kenneth Williams**,
Highland, UT (US); **Daniel H. Stuart**,
Layton, UT (US); **Zachary D.**
Henderson, South Weber, UT (US)

OTHER PUBLICATIONS

“Blue Shield Tactical Systems”, Retrieved on Jun. 21, 2021 from
<https://www.blueshieldtactical.com/product/blue-shield-otf-knife/>.

(Continued)

(73) Assignee: **Normandy Enterprises, LLC**,
Highland, UT (US)

Primary Examiner — Philip S Hyder

(74) *Attorney, Agent, or Firm* — Stoel Rives LLP

(**) Term: **15 Years**

(57) **CLAIM**

The ornamental design for a OTF knife, as shown and
described.

(21) Appl. No.: **29/785,892**

DESCRIPTION

(22) Filed: **May 27, 2021**

(51) **LOC (14) Cl.** **08-03**

(52) **U.S. Cl.**
USPC **D8/99**

(58) **Field of Classification Search**
USPC D8/98, 99, 100, 105, 107
CPC B26B 5/001; B26B 5/003; B26B 11/00;
B26B 1/08; B26B 1/02; B26B 1/10;
B26B 1/04; B26B 1/042; B26B 1/044;
B26B 1/048; B26B 3/08; B26B 29/06;
B26B 5/00

See application file for complete search history.

FIG. 1 is a top perspective view of a OTF knife of my new
design in a closed configuration.
FIG. 2 is a front view thereof.
FIG. 3 is a rear view thereof.
FIG. 4 is a left side view thereof.
FIG. 5 is a right side view thereof.
FIG. 6 is a top view thereof.
FIG. 7 is a bottom view thereof.
FIG. 8 is a bottom perspective view thereof.
FIG. 9 is a perspective view of the OTF knife of FIG. 1 is
an open configuration.
FIG. 10 is a front view thereof.
FIG. 11 is a rear view thereof.
FIG. 12 is a left side view thereof.
FIG. 13 is a right side view thereof.
FIG. 14 is a top view thereof.
FIG. 15 is a bottom view thereof; and,
FIG. 16 is a bottom perspective view thereof.
The broken lines depict portions of the OTF knife in which
the design is embodied that form no part of the claimed
design.

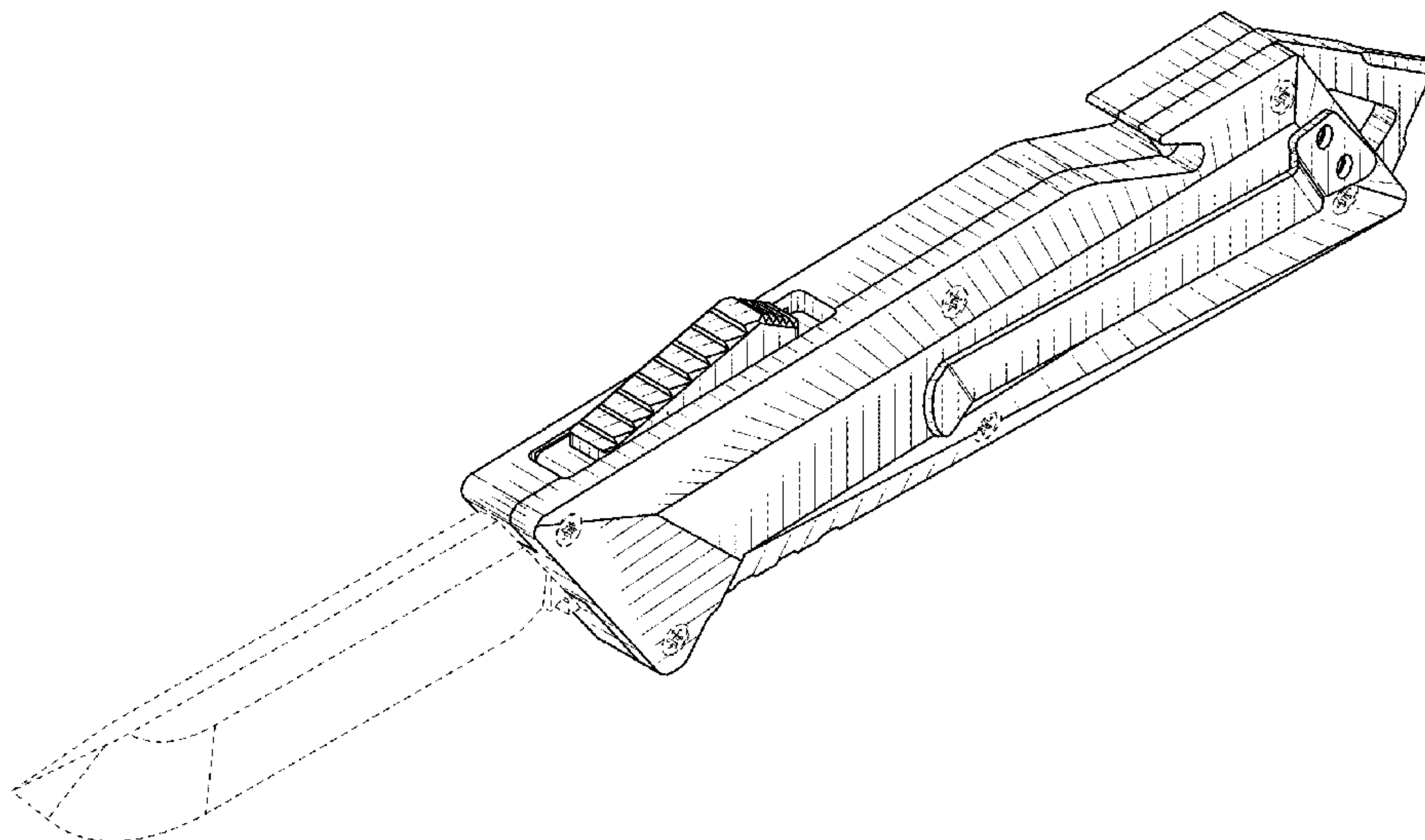
(56) **References Cited**

U.S. PATENT DOCUMENTS

D305,096	S	*	12/1989	Tench	D8/107
6,085,423	A	*	7/2000	Marifone	B26B 1/08 30/162
6,832,438	B1		12/2004	Gringer et al.		
6,907,668	B2		6/2005	Polei		
D510,514	S	*	10/2005	Ray	D8/99

(Continued)

1 Claim, 10 Drawing Sheets



(56)

References Cited

U.S. PATENT DOCUMENTS

7,100,285 B1 9/2006 Huang
 7,562,455 B2 7/2009 McHenry et al.
 8,595,941 B2* 12/2013 Lee B26B 1/08
 30/162
 8,671,578 B1* 3/2014 Frazer B26B 1/08
 30/162
 D749,928 S * 2/2016 Stobar D8/99
 D749,929 S * 2/2016 Stobar D8/99
 9,375,854 B2* 6/2016 Chu B26B 1/08
 9,498,889 B1* 11/2016 Hawk B26B 1/08
 D796,932 S * 9/2017 Sung D8/99
 9,764,485 B1* 9/2017 Hawk B26B 1/04
 D810,540 S * 2/2018 Marfione D8/99
 10,220,527 B1* 3/2019 Marfione B26B 1/08
 D870,532 S * 12/2019 Marfione D8/99
 D871,187 S * 12/2019 Marfione D8/99
 D871,887 S * 1/2020 Marfione D8/99
 D889,239 S * 7/2020 Marfione D8/99
 D903,460 S * 12/2020 Marfione D8/99
 10,981,284 B2 4/2021 Delplanche
 D939,916 S * 1/2022 Brewer D8/99

D945,240 S * 3/2022 Dickman D8/99
 2007/0175045 A1* 8/2007 McHenry B26B 1/08
 30/162
 2007/0245569 A1 10/2007 Chen
 2008/0222895 A1* 9/2008 Marfione B26B 11/00
 30/151
 2008/0222897 A1* 9/2008 Marfione B26B 1/08
 30/162
 2009/0235534 A1* 9/2009 Chu B26B 1/10
 30/162
 2014/0101943 A1* 4/2014 Chu B26B 1/08
 30/162
 2014/0173911 A1* 6/2014 Chu B26B 1/08
 30/162

OTHER PUBLICATIONS

“Slash2Gash Mini Rescue Auto Knife Cali Legal Blue Switchblade—
 Air Force”, retrieved on Jun. 21, 2021 from [https://slash2gash.com/
 products/mini-rescue-auto-knife-cali-legal-blue-switchblade-air-
 force](https://slash2gash.com/products/mini-rescue-auto-knife-cali-legal-blue-switchblade-air-force).

* cited by examiner

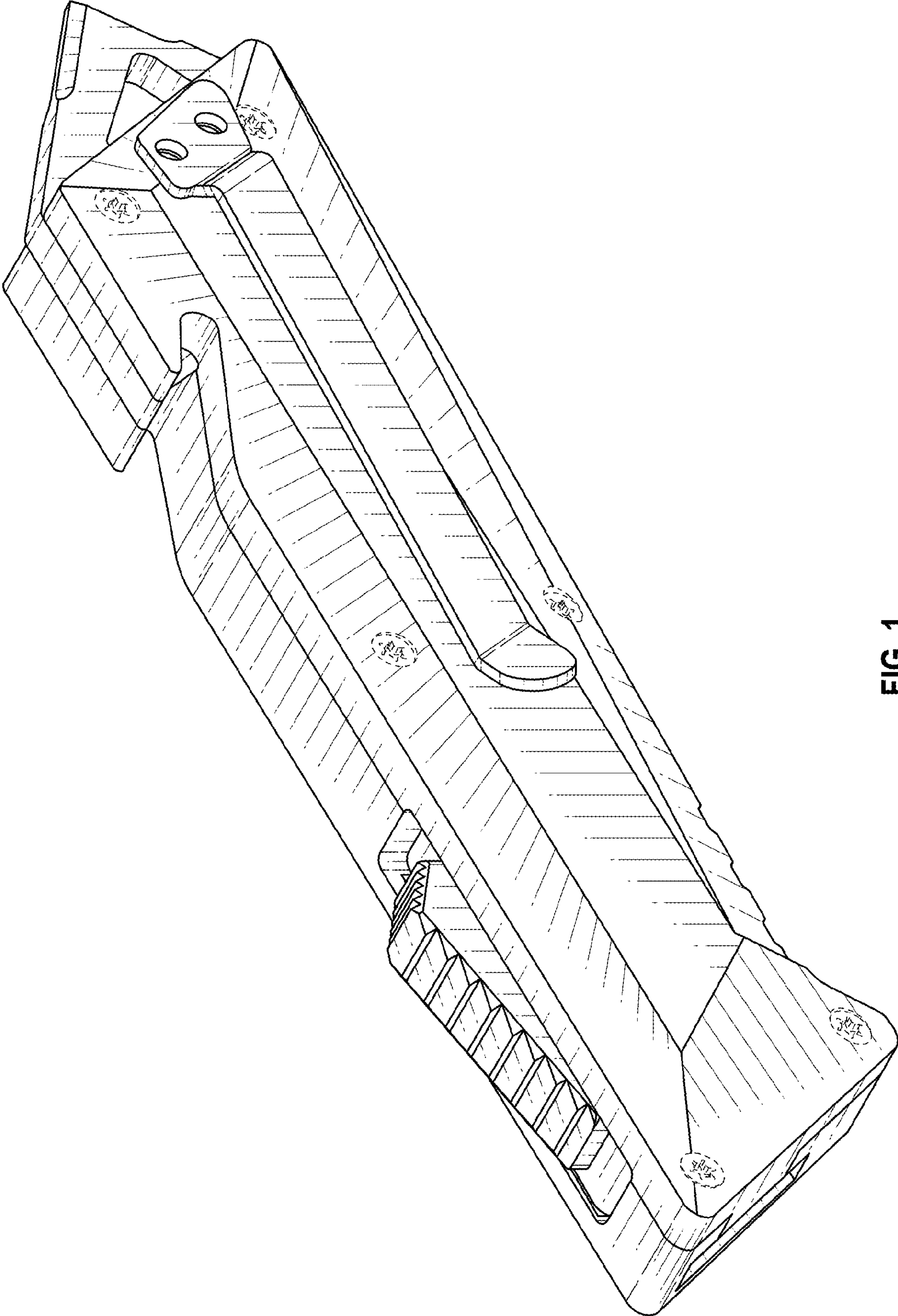


FIG. 1

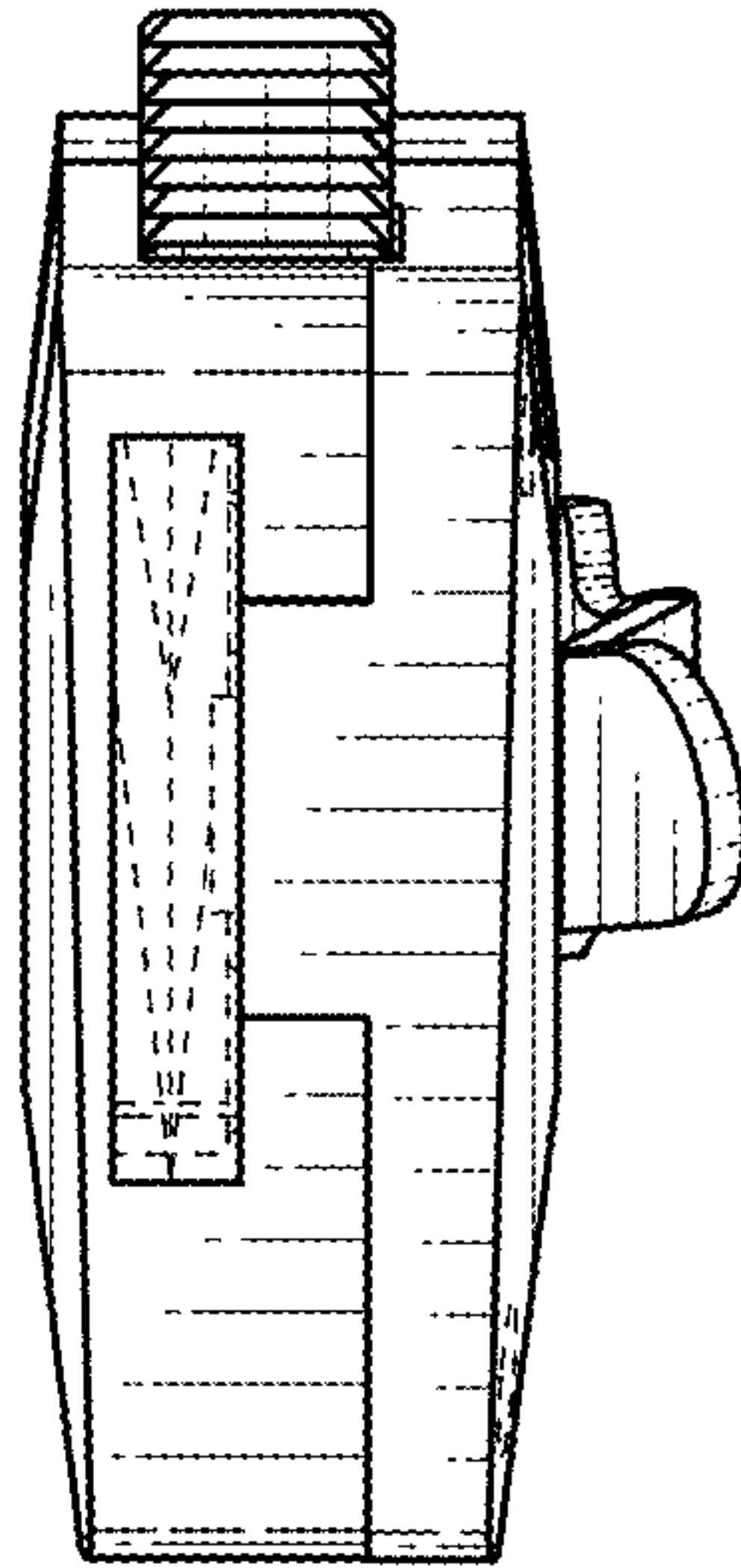


FIG. 2

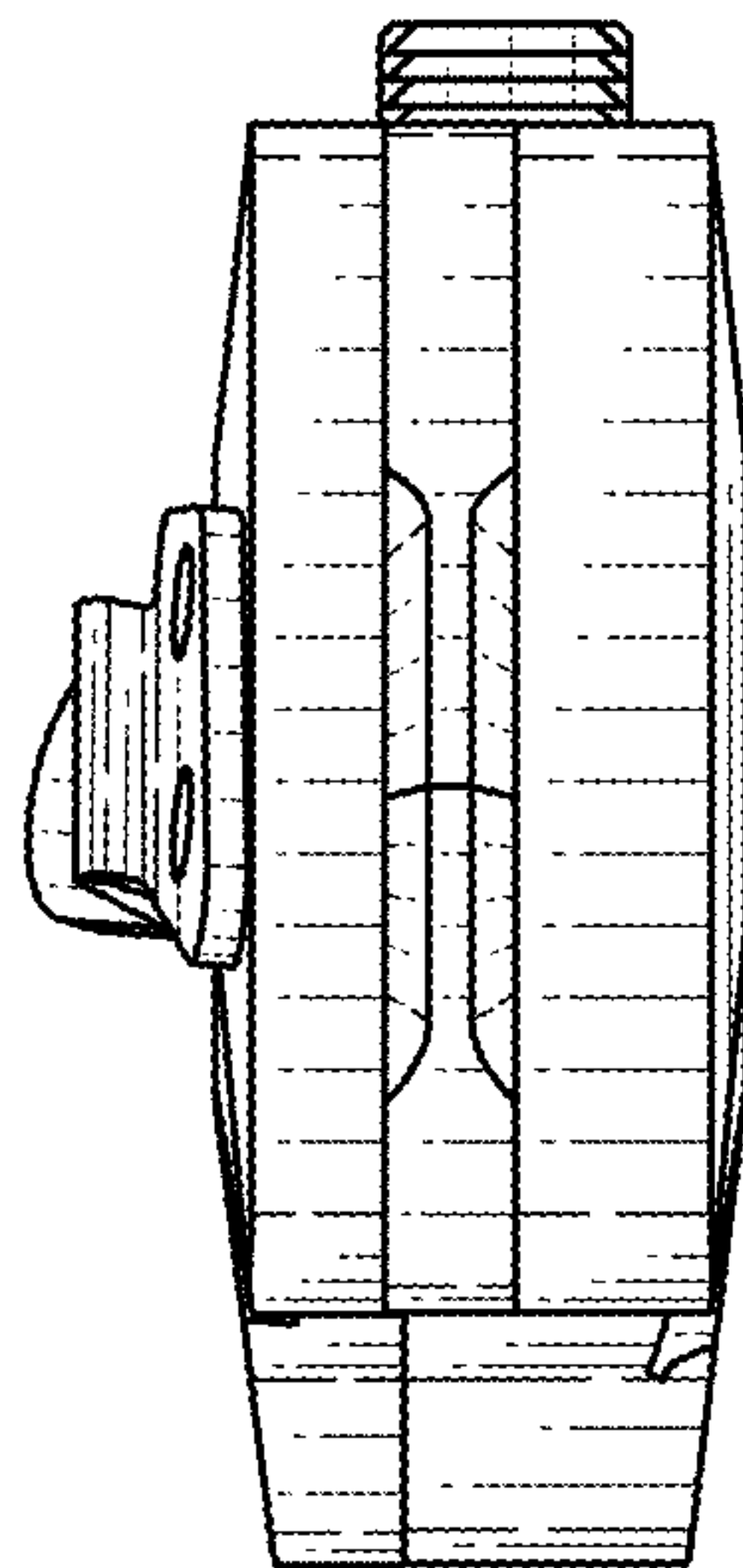


FIG. 3

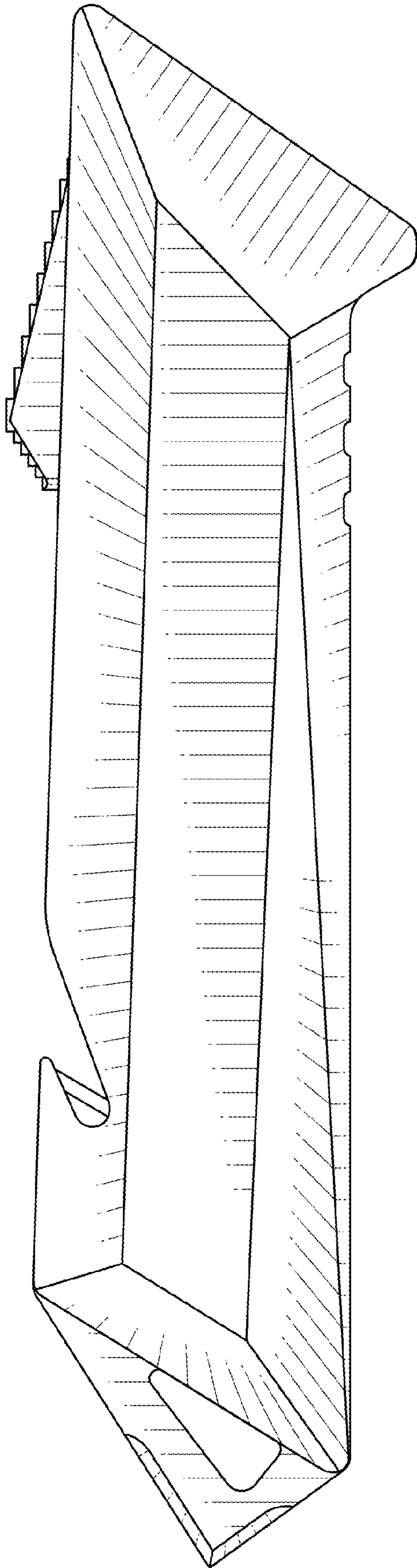


FIG. 4

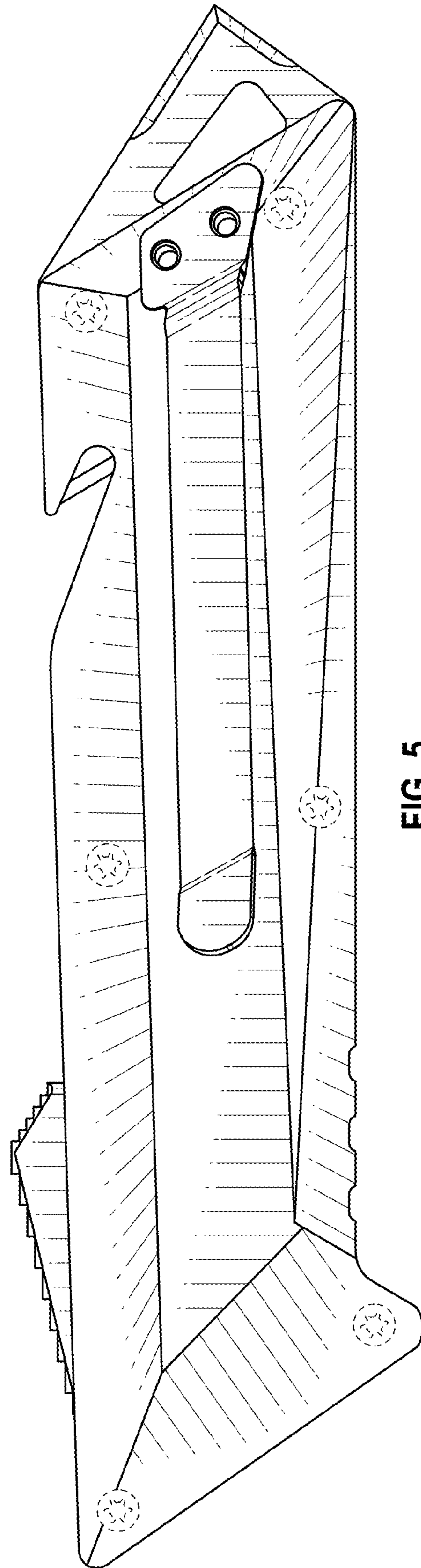


FIG. 5

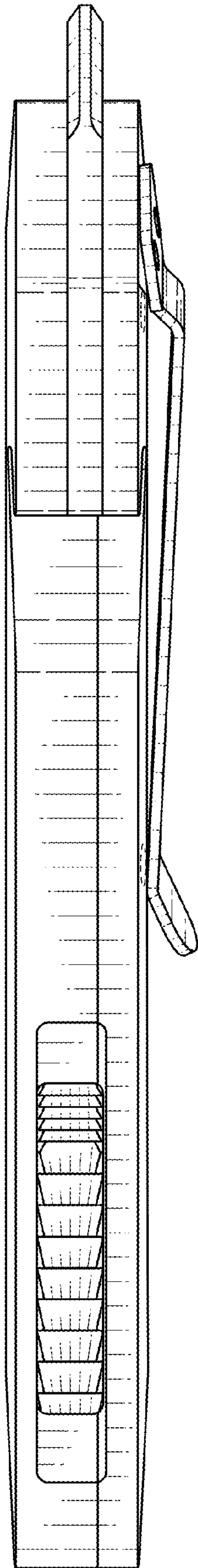


FIG. 6

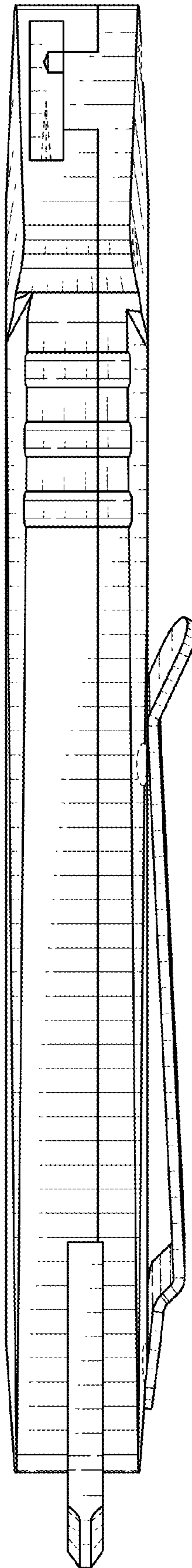


FIG. 7

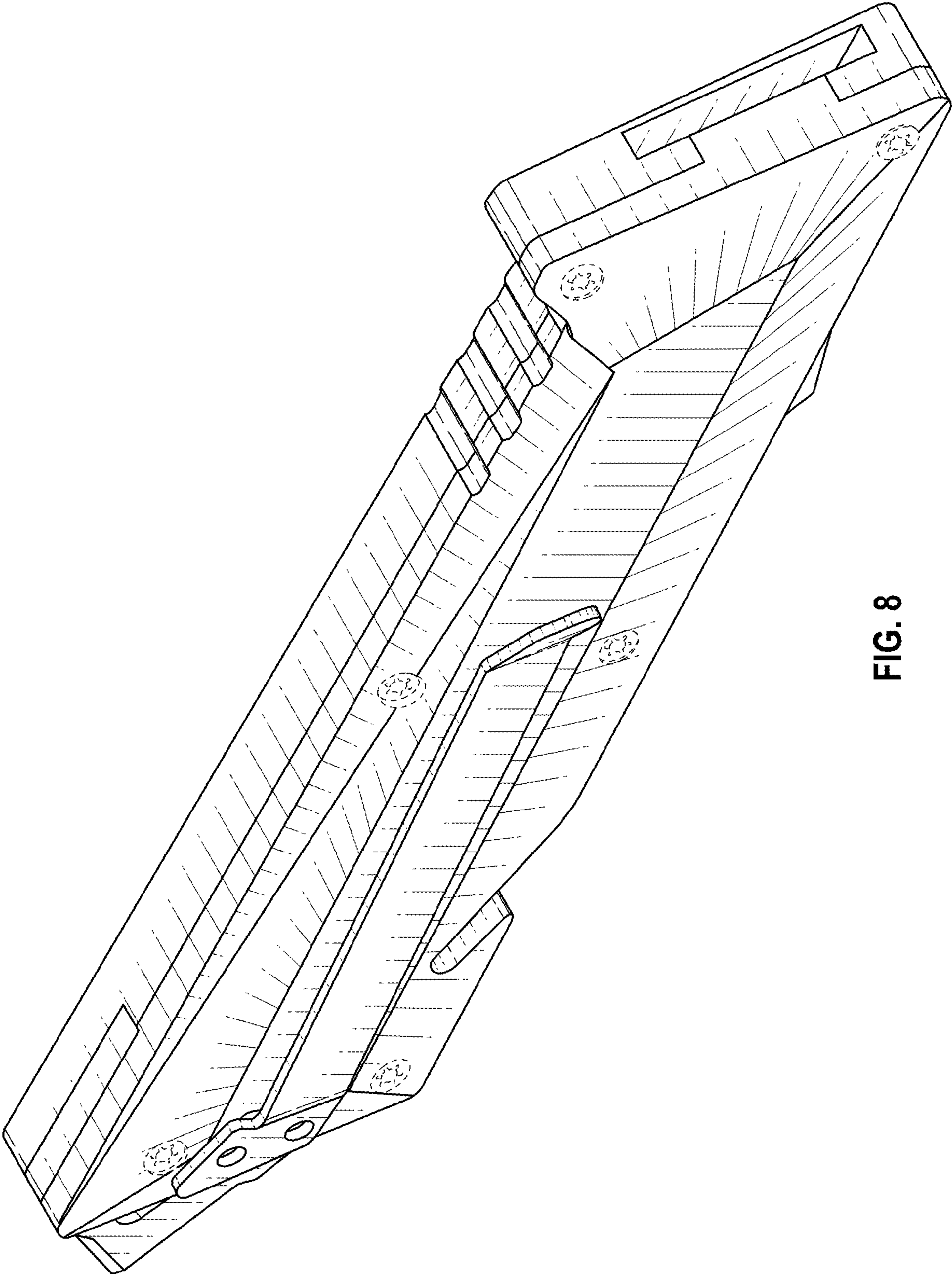


FIG. 8

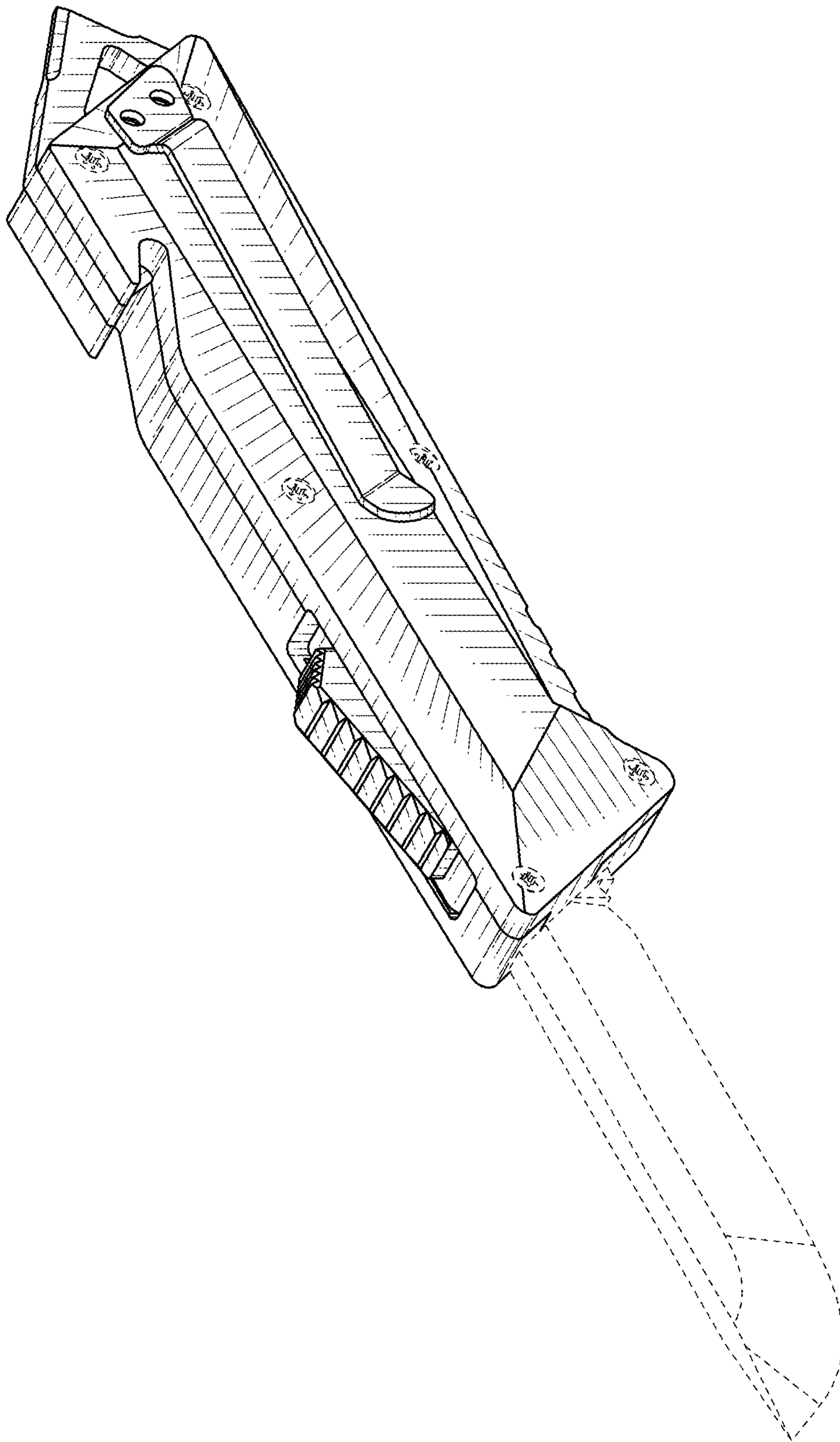


FIG. 9

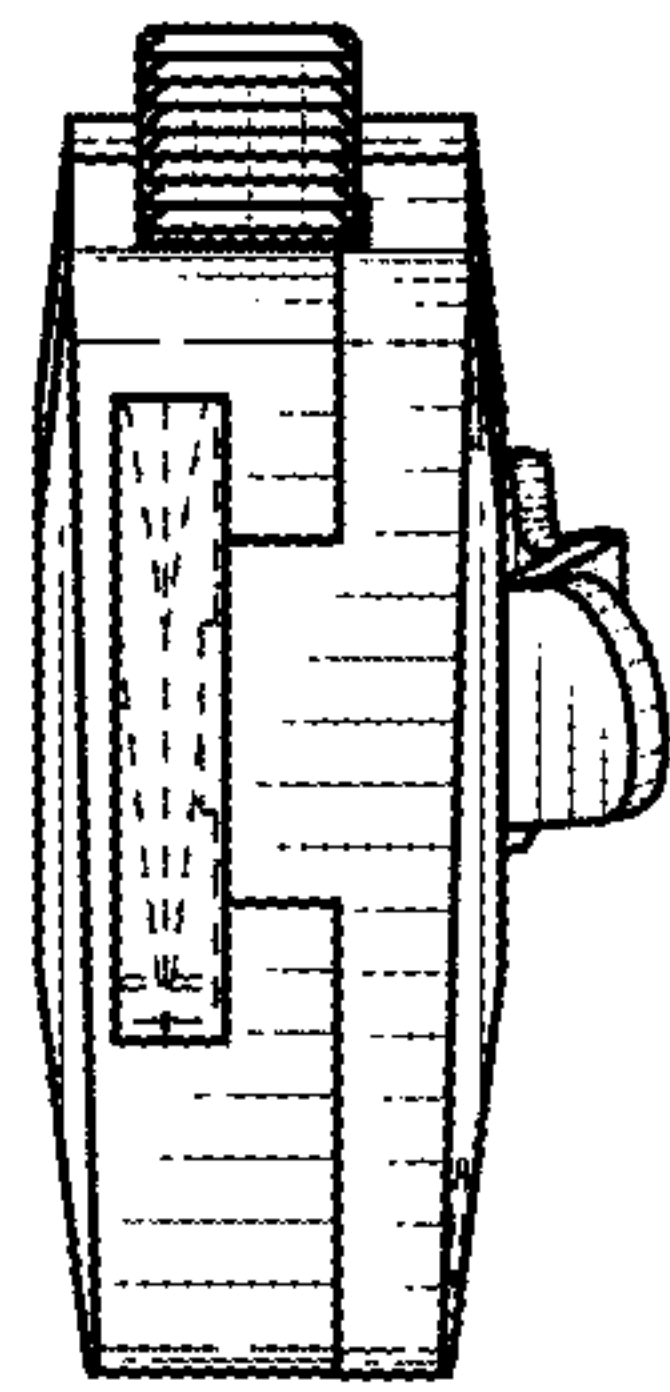


FIG. 10

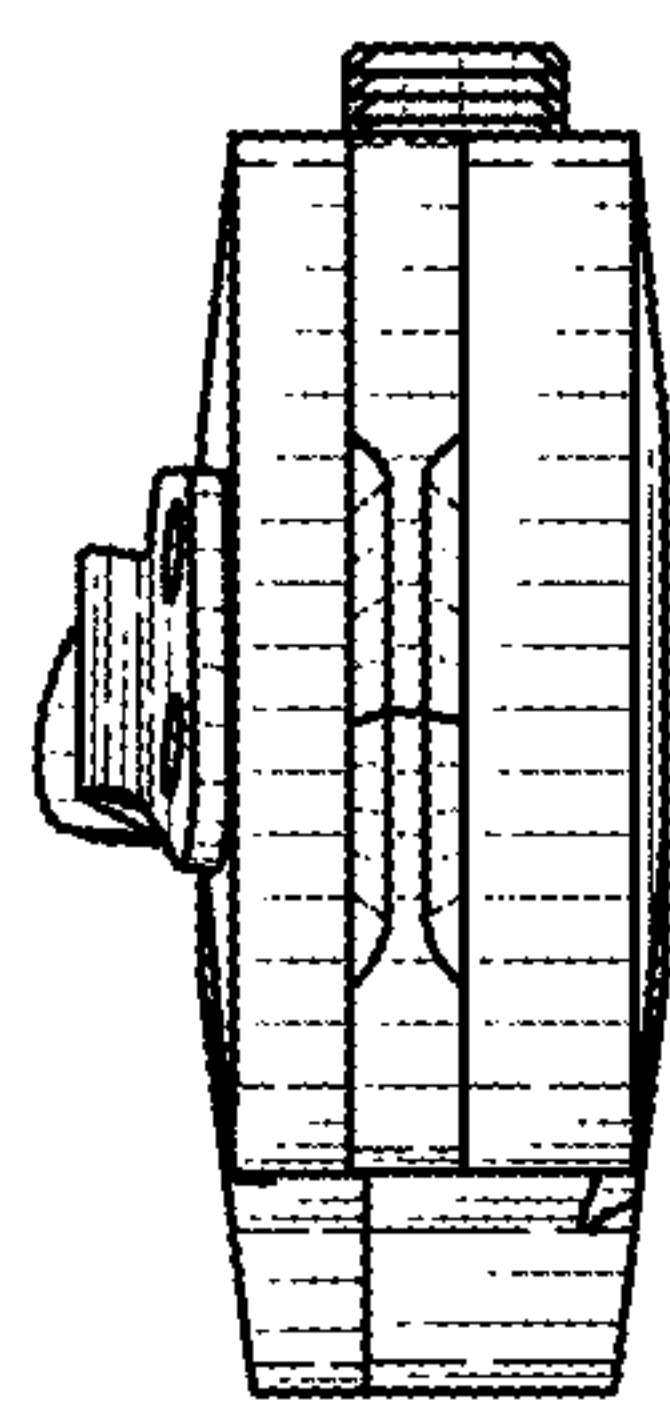


FIG. 11

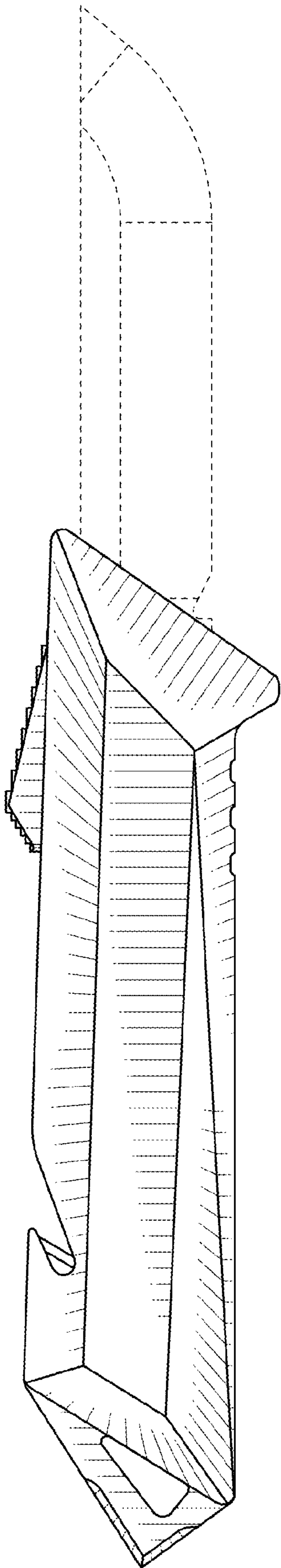


FIG. 12

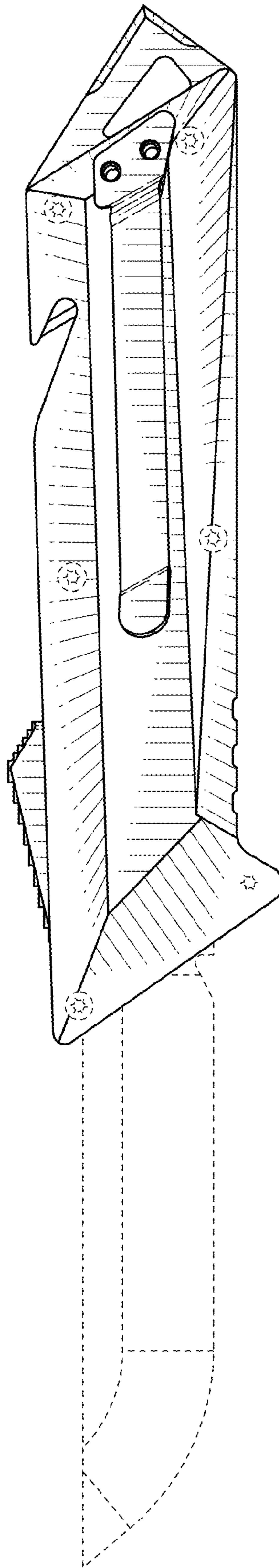


FIG. 13

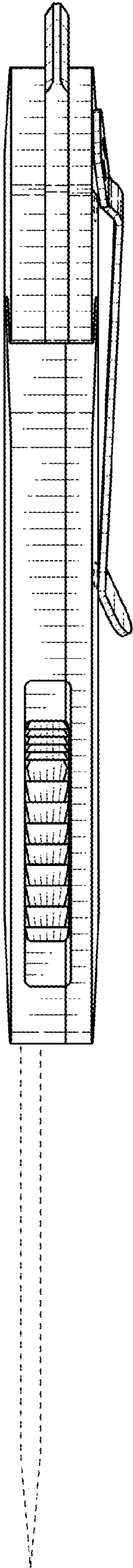


FIG. 14

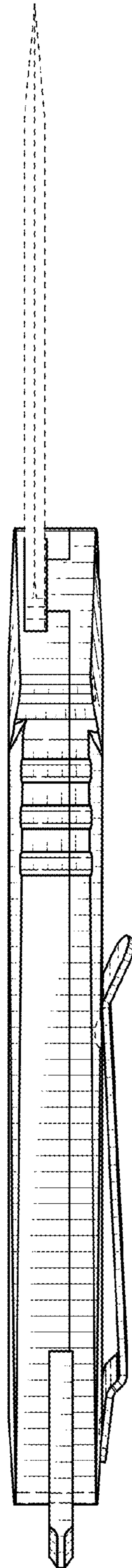


FIG. 15

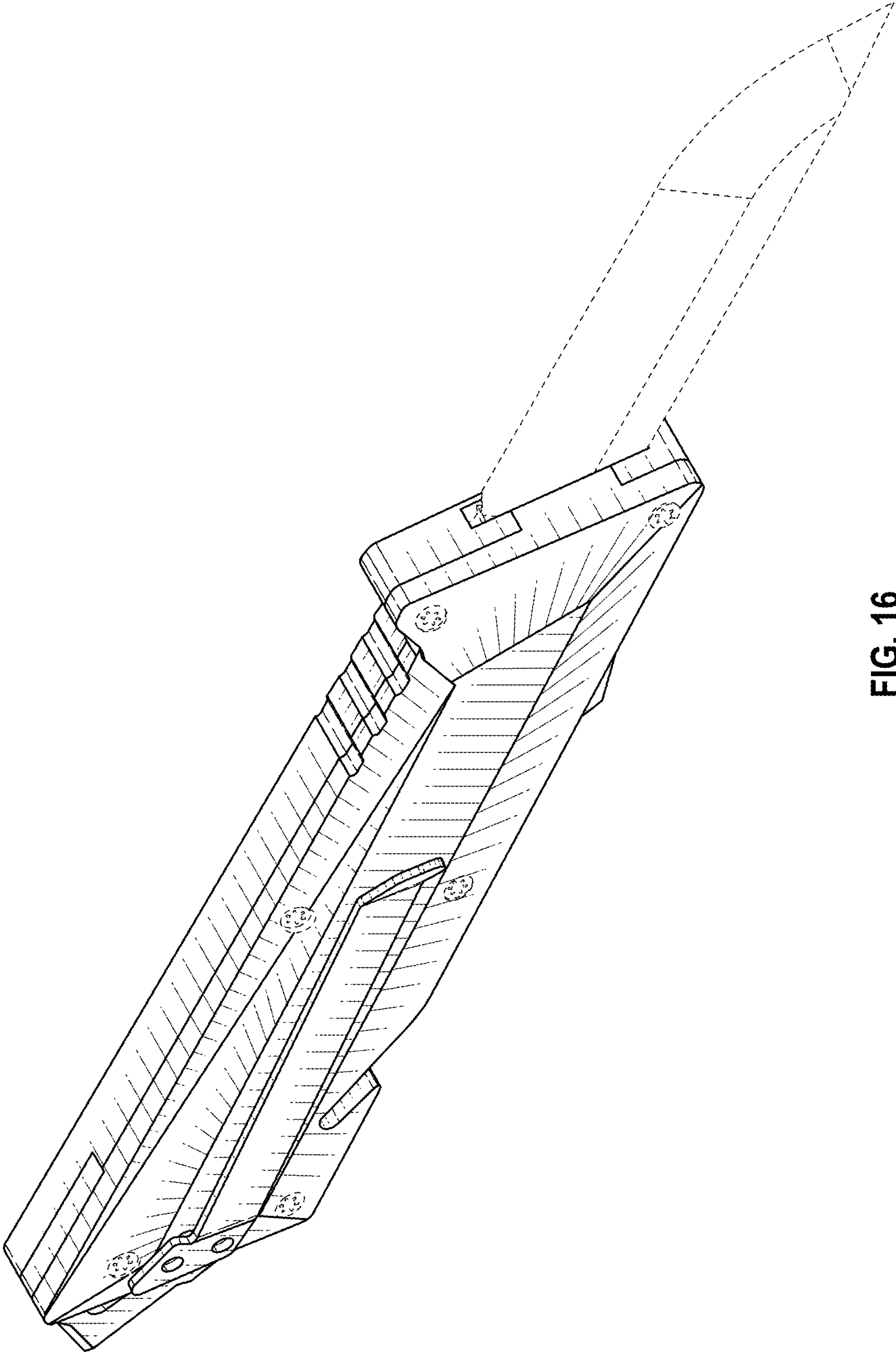


FIG. 16