



US00D979369S

(12) **United States Design Patent**
Liao

(10) **Patent No.:** **US D979,369 S**

(45) **Date of Patent:** **** Feb. 28, 2023**

(54) **DRILL BIT HOLDER**

(71) Applicant: **Shenzhen Kaduo Industrial Co., Ltd.**,
Shenzhen (CN)

(72) Inventor: **Jiping Liao**, Hengnan (CN)

(**) Term: **15 Years**

(21) Appl. No.: **29/848,818**

(22) Filed: **Aug. 5, 2022**

(51) **LOC (14) Cl.** **08-05**

(52) **U.S. Cl.**
USPC **D8/71**

(58) **Field of Classification Search**
USPC D8/14, 71; D24/176, 181, 229; D3/313,
D3/271.3

CPC B25H 3/003; B25H 1/0071; B25H 3/006;
B25H 1/0078; B25H 3/02; B25H 3/021;
B25H 3/04; B25H 3/06; B25H 5/00

See application file for complete search history.

(56) **References Cited**

U.S. PATENT DOCUMENTS

D206,038 S *	10/1966	Engelke et al.	D3/905
4,122,606 A *	10/1978	Roman	A61C 9/002
				433/213
4,694,956 A *	9/1987	Sims	A61C 19/008
				206/83
4,898,359 A *	2/1990	Gopon	A61C 9/002
				249/176
D371,945 S *	7/1996	Geary	D6/682.2
6,401,923 B1 *	6/2002	Huang	B25H 3/04
				206/480
D563,561 S *	3/2008	Faust, III	D3/271.3
D668,876 S	10/2012	Tice		
8,459,995 B1 *	6/2013	Aronov	A61C 11/08
				433/213
D709,749 S	7/2014	Leonard		

D838,567 S *	1/2019	Boltryk	D8/71
2005/0051446 A1 *	3/2005	Chen	B25H 3/04
				206/349
2008/0093240 A1 *	4/2008	Liu	B25H 3/003
				206/409
2009/0188823 A1 *	7/2009	Zwergius	B25H 3/003
				206/379
2011/0094910 A1 *	4/2011	Fleury	B25H 3/003
				206/372
2014/0299640 A1 *	10/2014	Escherich	B25H 3/003
				224/183
2015/0096911 A1 *	4/2015	Chen	B25H 3/02
				206/372
2019/0084146 A1 *	3/2019	Boltryk	B25H 3/003

* cited by examiner

Primary Examiner — Lauren R Calve

(74) *Attorney, Agent, or Firm* — Daniel M. Cohn;
Howard M. Cohn

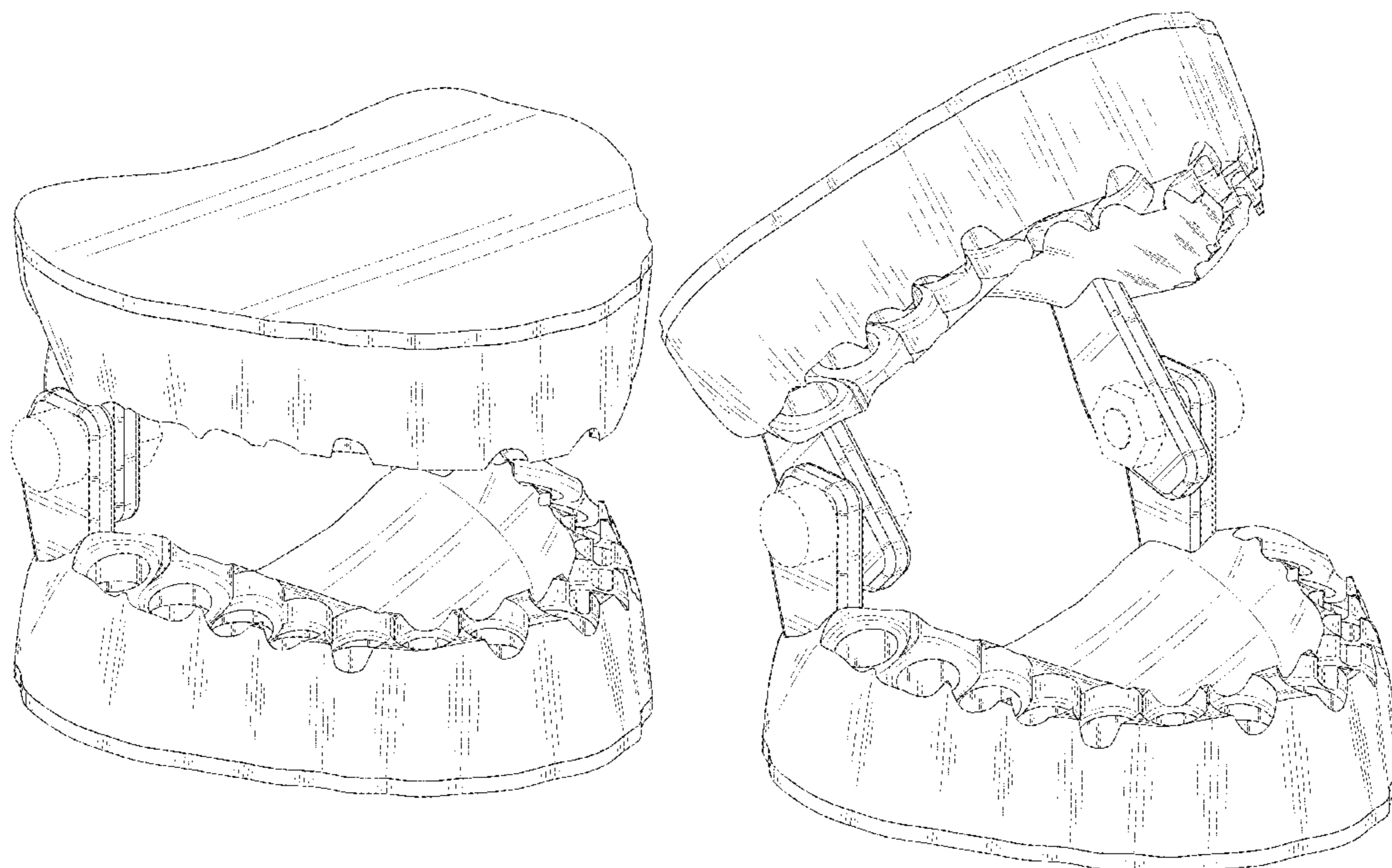
(57) **CLAIM**

The ornamental design for a drill bit holder, as shown and described.

DESCRIPTION

FIG. 1 is a perspective view of a drill bit holder showing my new design;
 FIG. 2 is another perspective view
 FIG. 3 is a front view thereof;
 FIG. 4 is a back view thereof;
 FIG. 5 is a left view thereof;
 FIG. 6 is a right view thereof;
 FIG. 7 is a top plan view thereof;
 FIG. 8 is a bottom plan view thereof; and,
 FIG. 9 is a perspective view thereof in an open state.
 The broken lines shown represent portions of the drill bit holder that form no part of the claimed design.

1 Claim, 9 Drawing Sheets



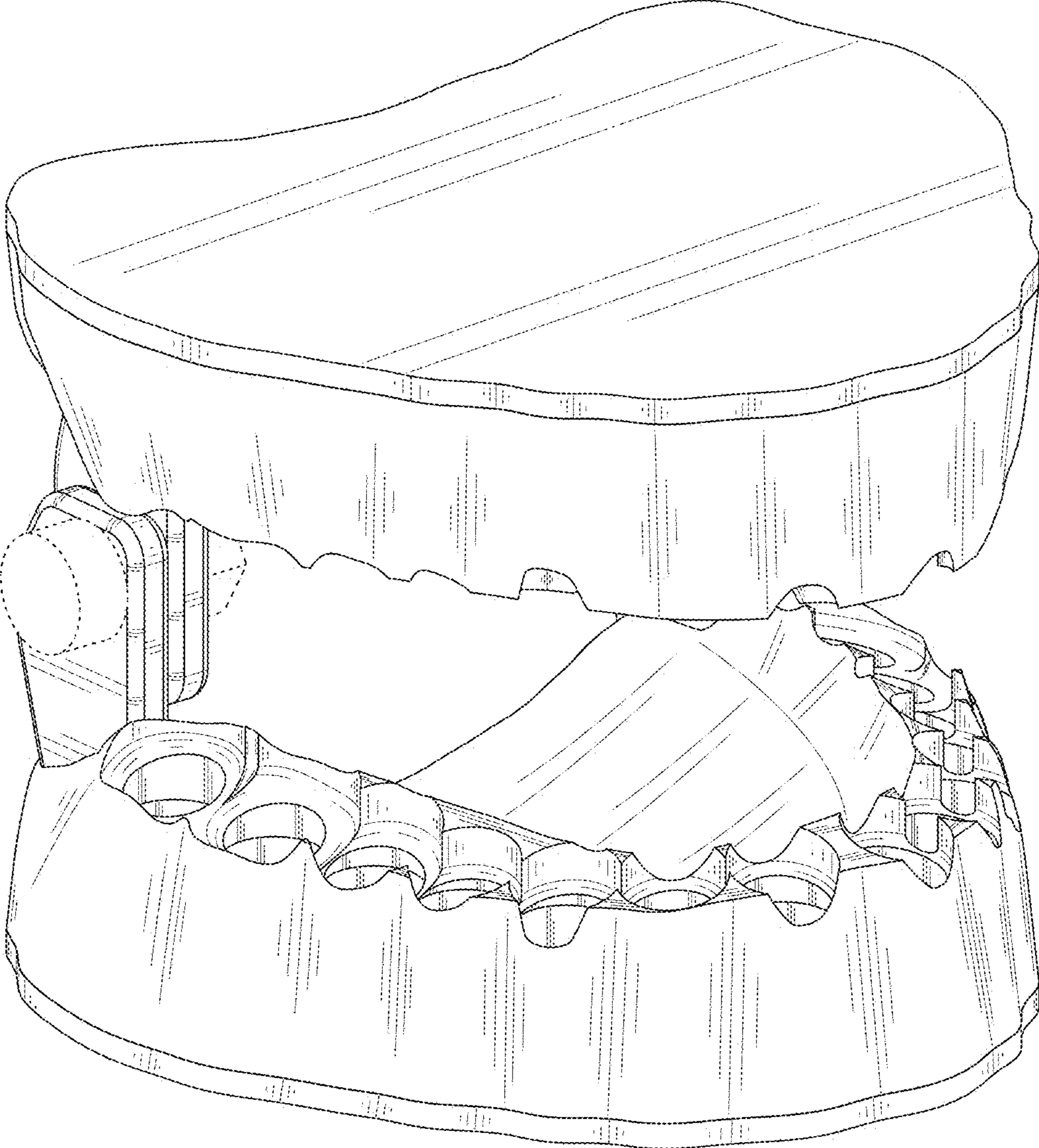


FIG.1



FIG.2

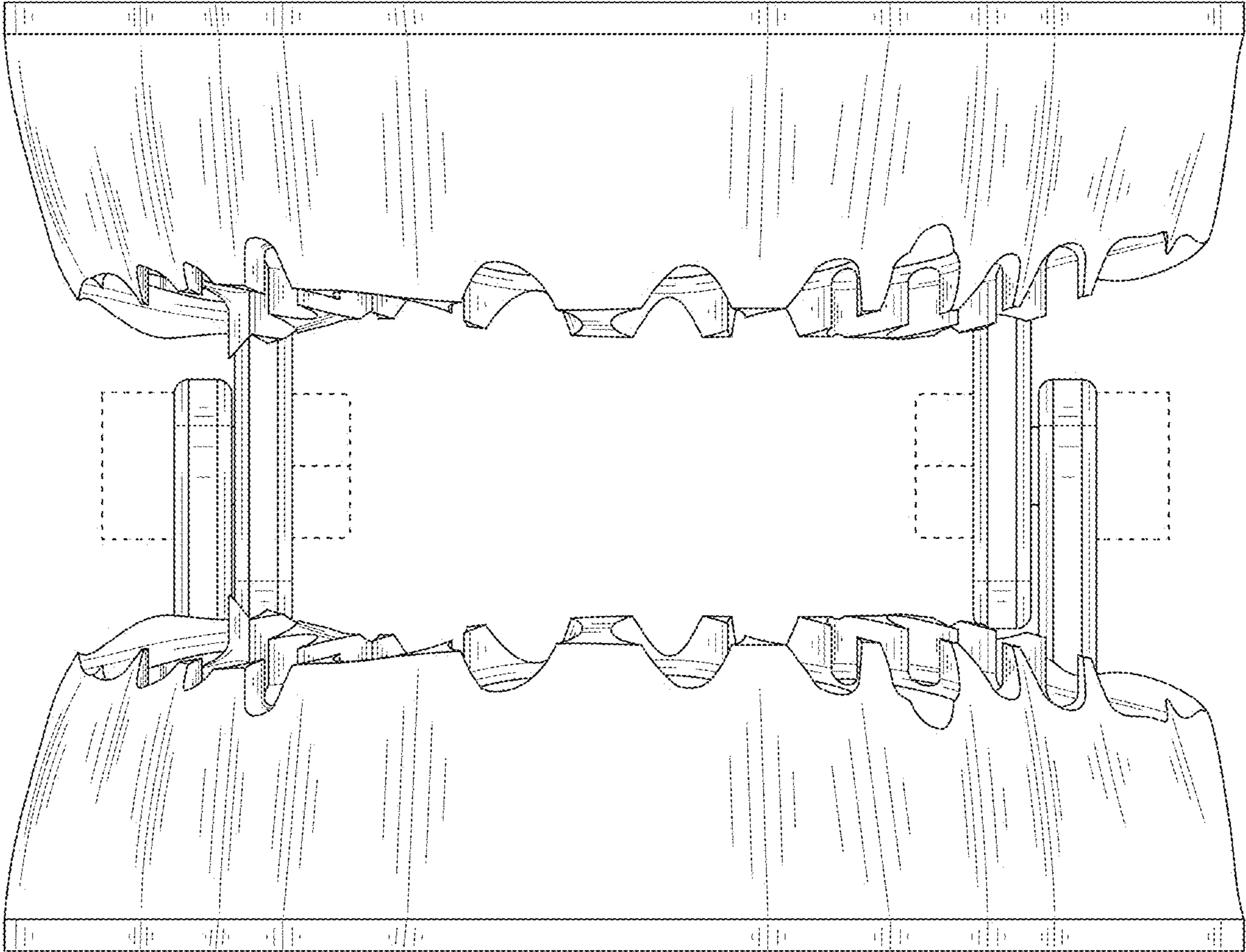


FIG.3

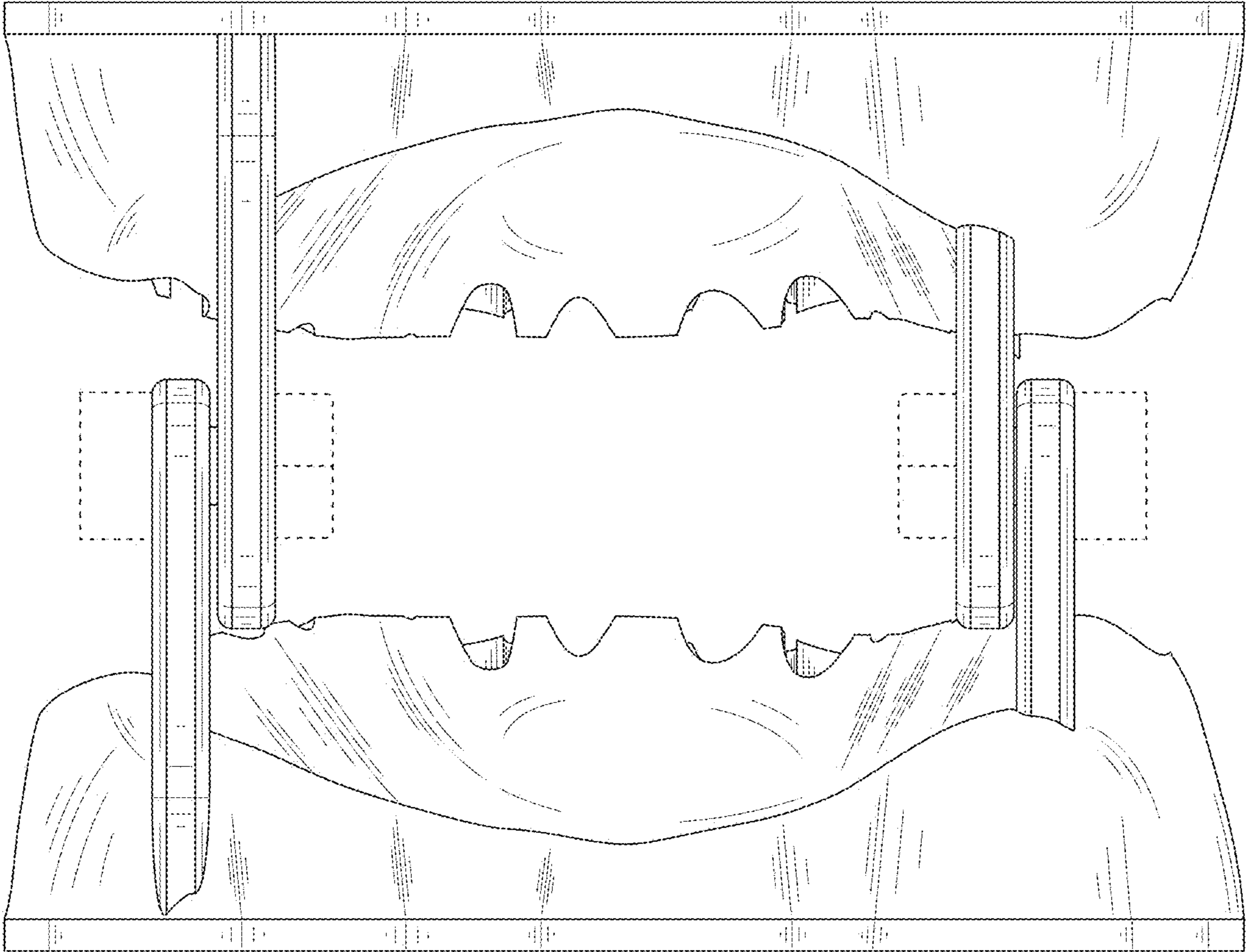


FIG.4

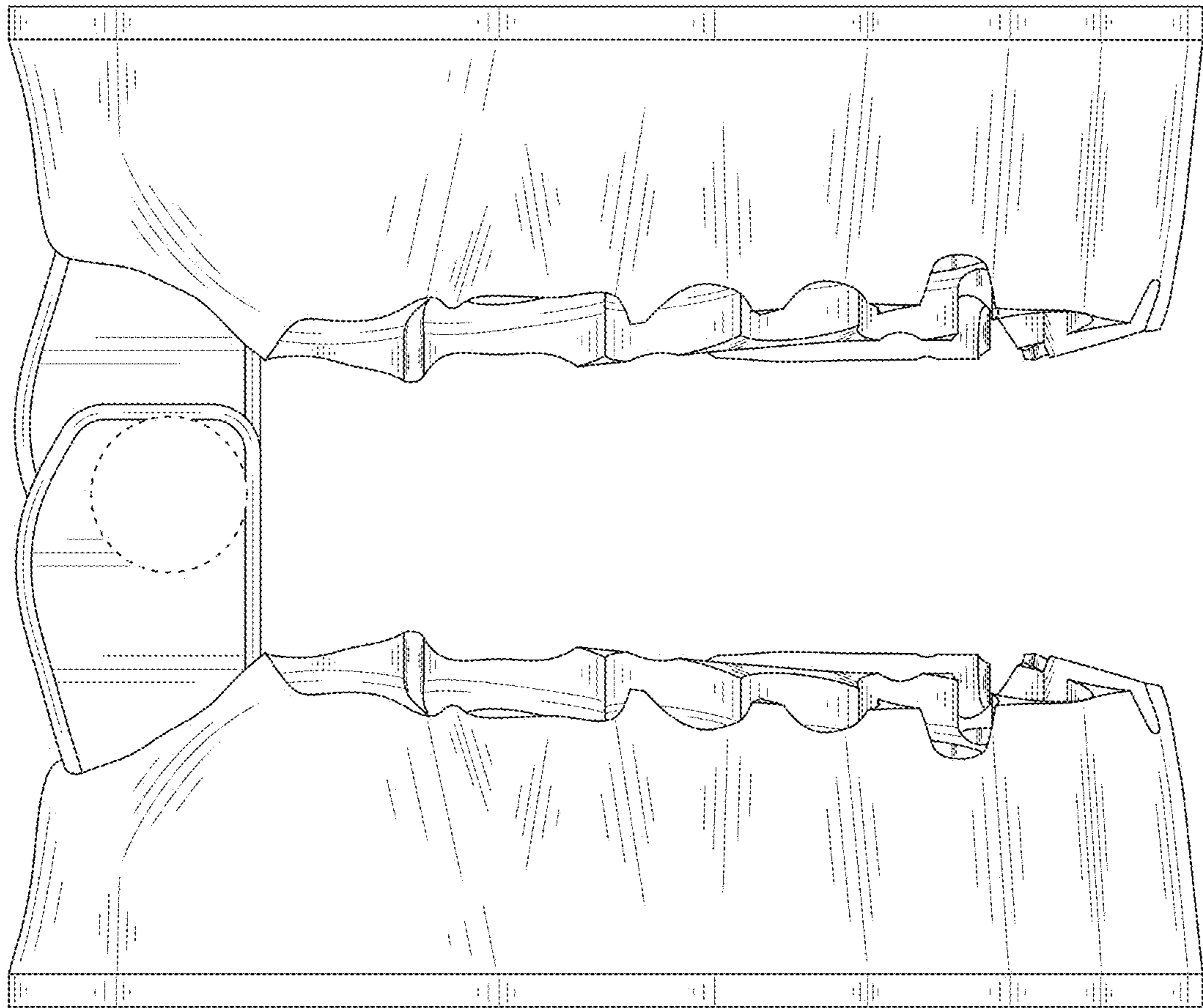


FIG.5

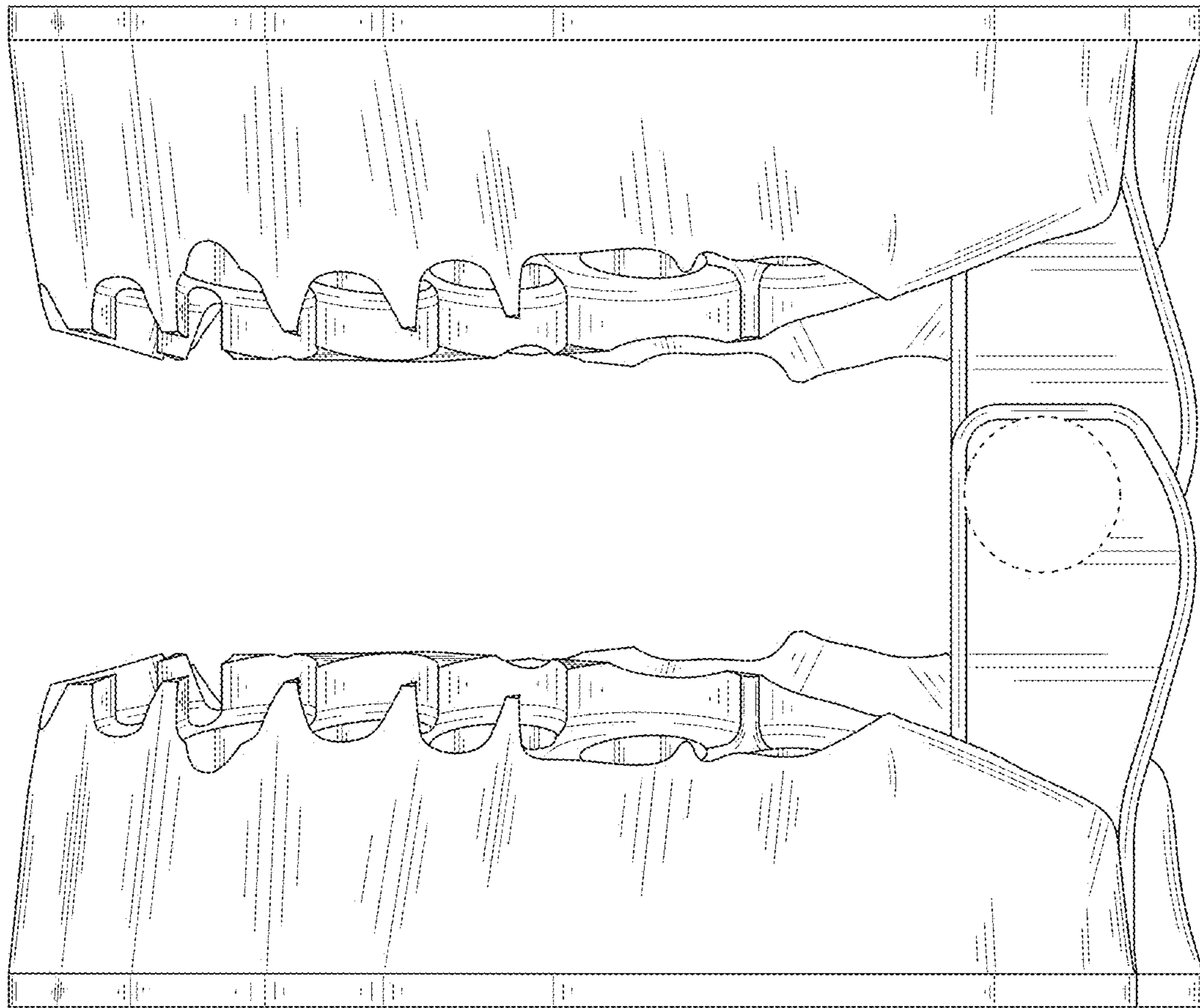


FIG.6

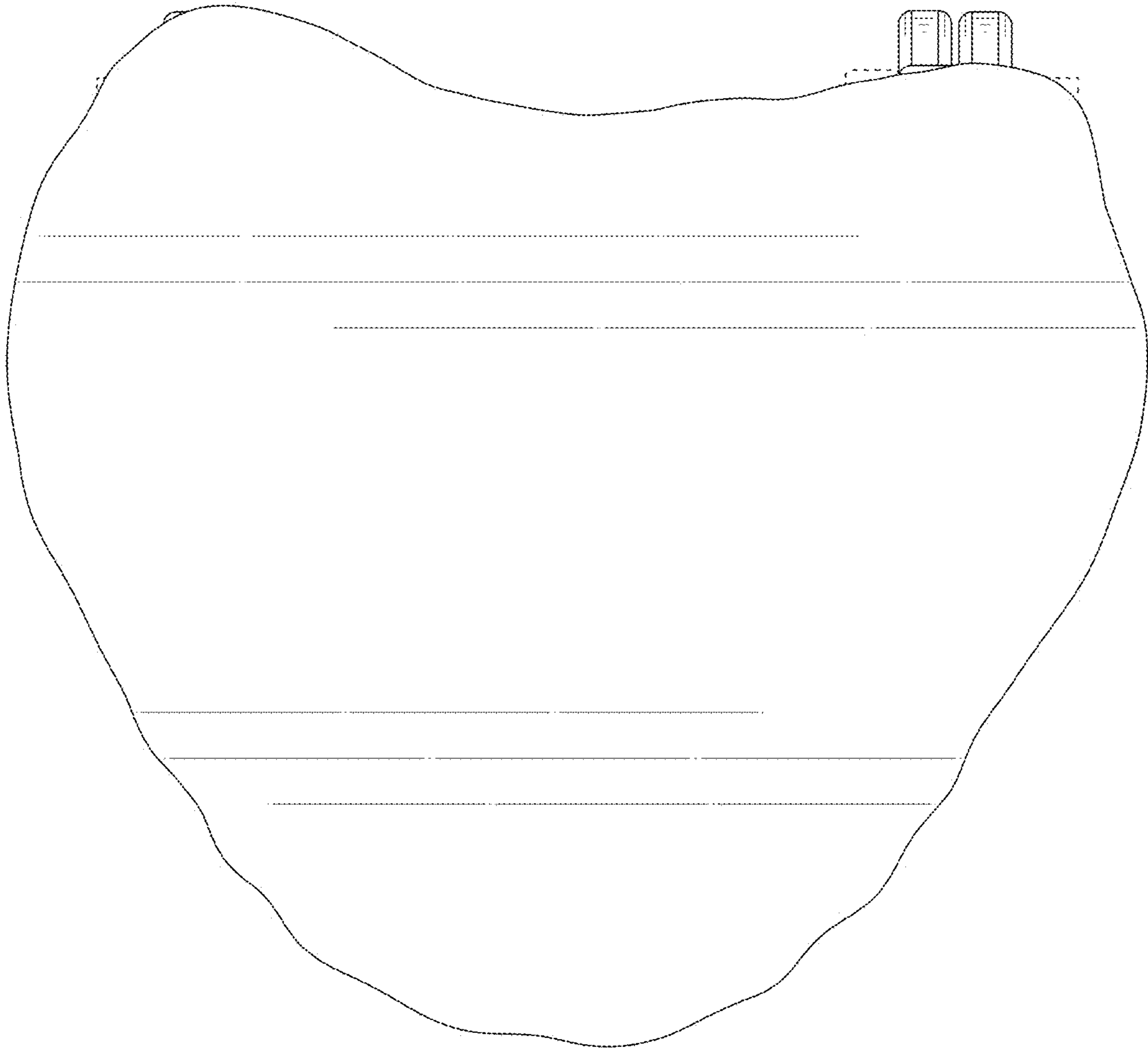


FIG. 7

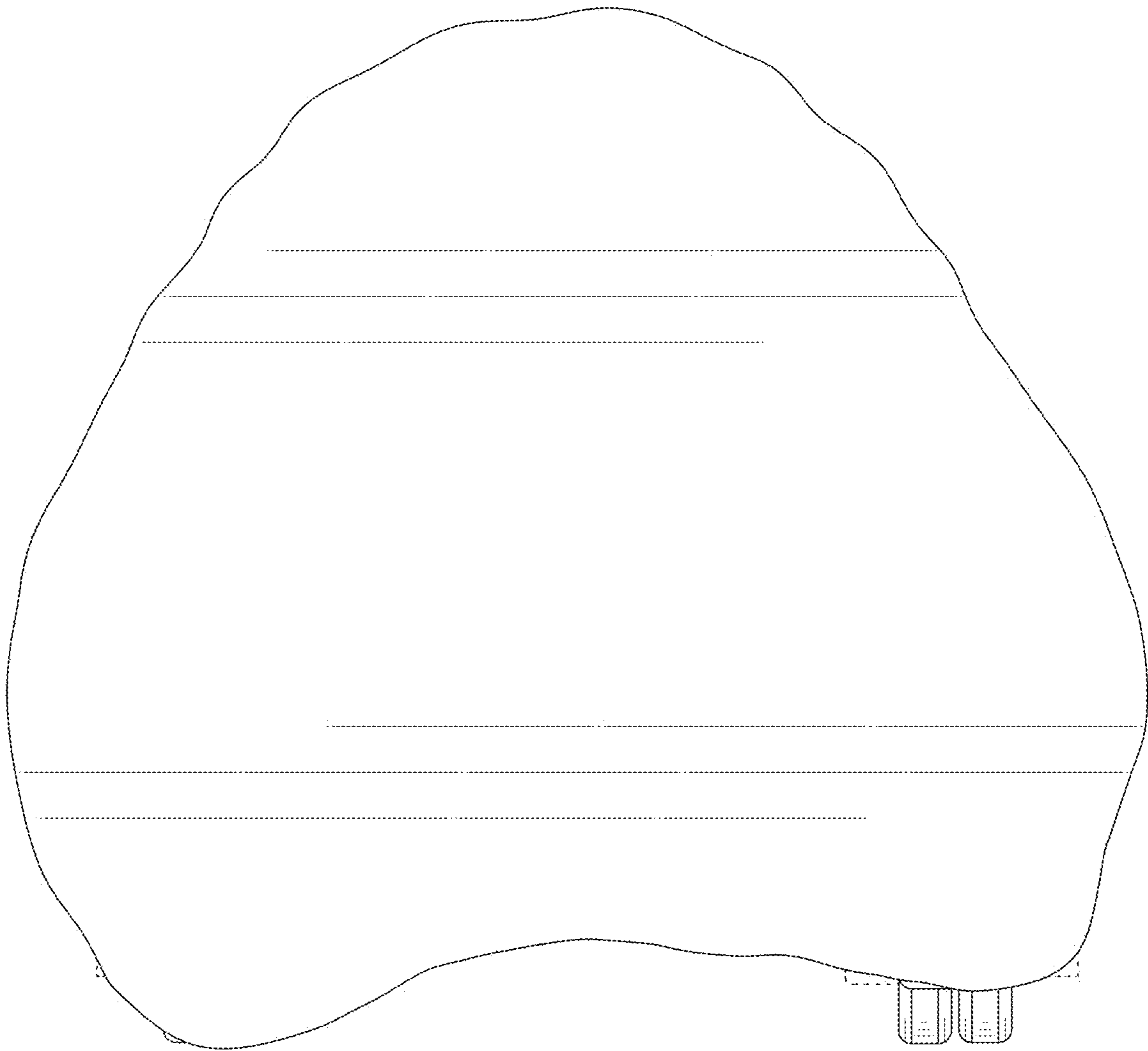


FIG.8

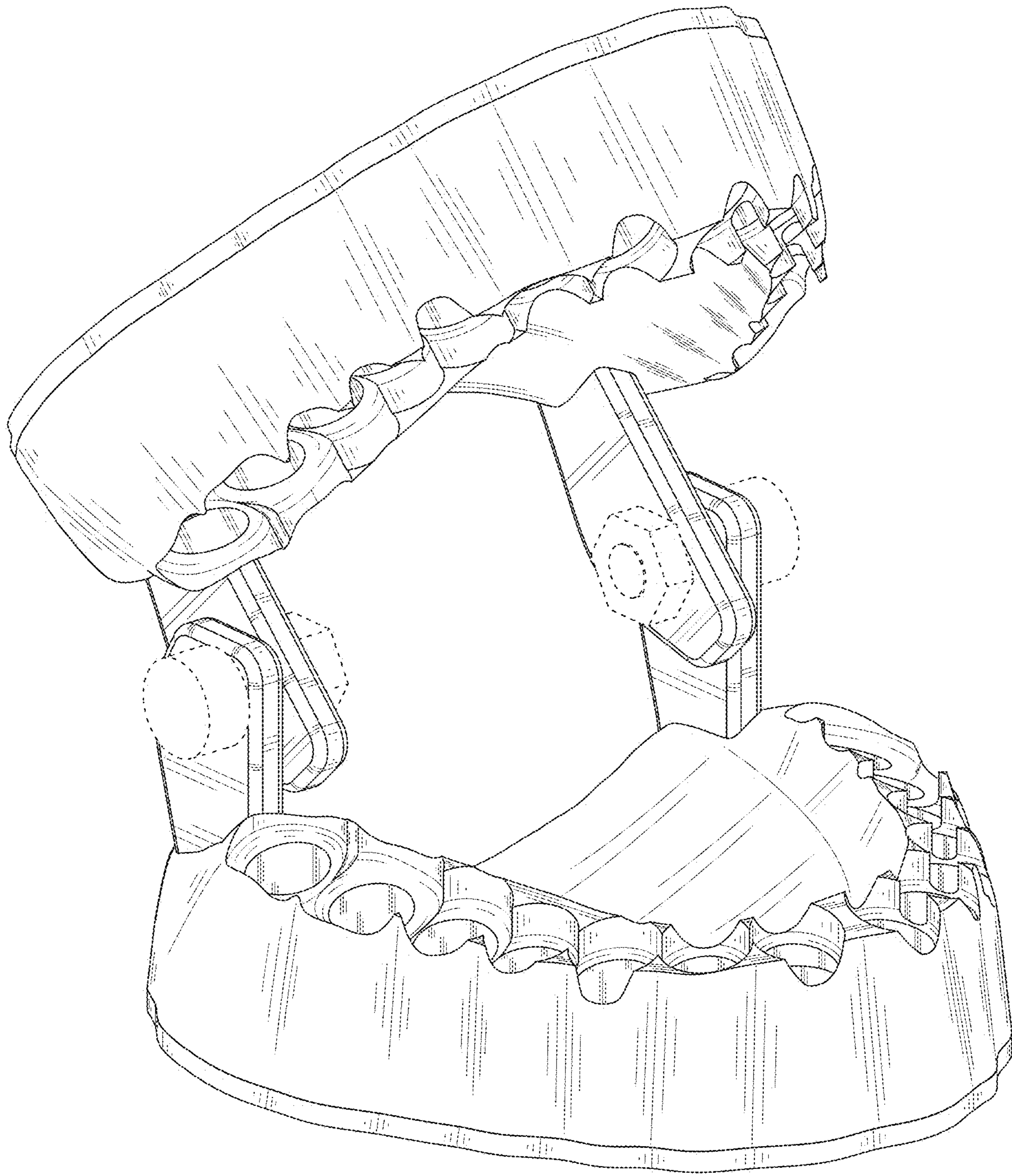


FIG.9