



US00D979368S

(12) **United States Design Patent** (10) **Patent No.:** **US D979,368 S**
Paunovic et al. (45) **Date of Patent:** **** Feb. 28, 2023**

- (54) **ROTARY HAMMER**
- (71) Applicant: **Würth International AG**, Chur (CH)
- (72) Inventors: **Dejan Paunovic**, Künzelsau (DE);
Dominik Bitsch, Künzelsau (DE)
- (73) Assignee: **WÜRTH INTERNATIONAL AG**,
Chur (CH)
- (**) Term: **15 Years**
- (21) Appl. No.: **29/801,541**
- (22) Filed: **Jul. 29, 2021**

D343,105 S *	1/1994	Shibata	D8/68
D406,511 S *	3/1999	Zurwelle	D8/68
D406,741 S *	3/1999	Zurwelle	D8/68
D466,779 S *	12/2002	Shibata	D8/68
D470,379 S *	2/2003	Andriolo	D8/68
D488,978 S *	4/2004	Cheung	D8/68
D492,565 S *	7/2004	Stirm	D8/68
D502,374 S *	3/2005	Aglassinger	D8/68
D502,375 S *	3/2005	Aglassinger	D8/68
D507,950 S *	8/2005	Aglassinger	D8/68
D511,286 S *	11/2005	Aglassinger	D8/68
D520,833 S *	5/2006	Andriolo	D8/68
D527,969 S *	9/2006	Okada	D8/68
D540,135 S *	4/2007	Okada	D8/68

(Continued)

Primary Examiner — Darlington Ly
(74) *Attorney, Agent, or Firm* — Lucas & Mercanti, LLP;
Klaus P. Stoffel

Related U.S. Application Data

- (62) Division of application No. 35/509,767, filed on Apr. 7, 2020 (U.S. filing date under 35 U.S.C. 384), and having an international filing date of Apr. 7, 2020, now Pat. No. Des. 934,042.

(57) **CLAIM**

The ornamental design for a rotary hammer, as shown and described.

(30) **Foreign Application Priority Data**

Oct. 9, 2019 (EM) 007 002 134

(51) **LOC (14) Cl.** **08-05**

(52) **U.S. Cl.**
USPC **D8/68**

(58) **Field of Classification Search**
USPC D8/61, 67, 68
CPC B62D 23/005; B62D 29/00; B62D 29/043;
B62D 31/00; B62D 33/046; B62D 35/00;
B62D 35/001; B60Q 1/0005
See application file for complete search history.

DESCRIPTION

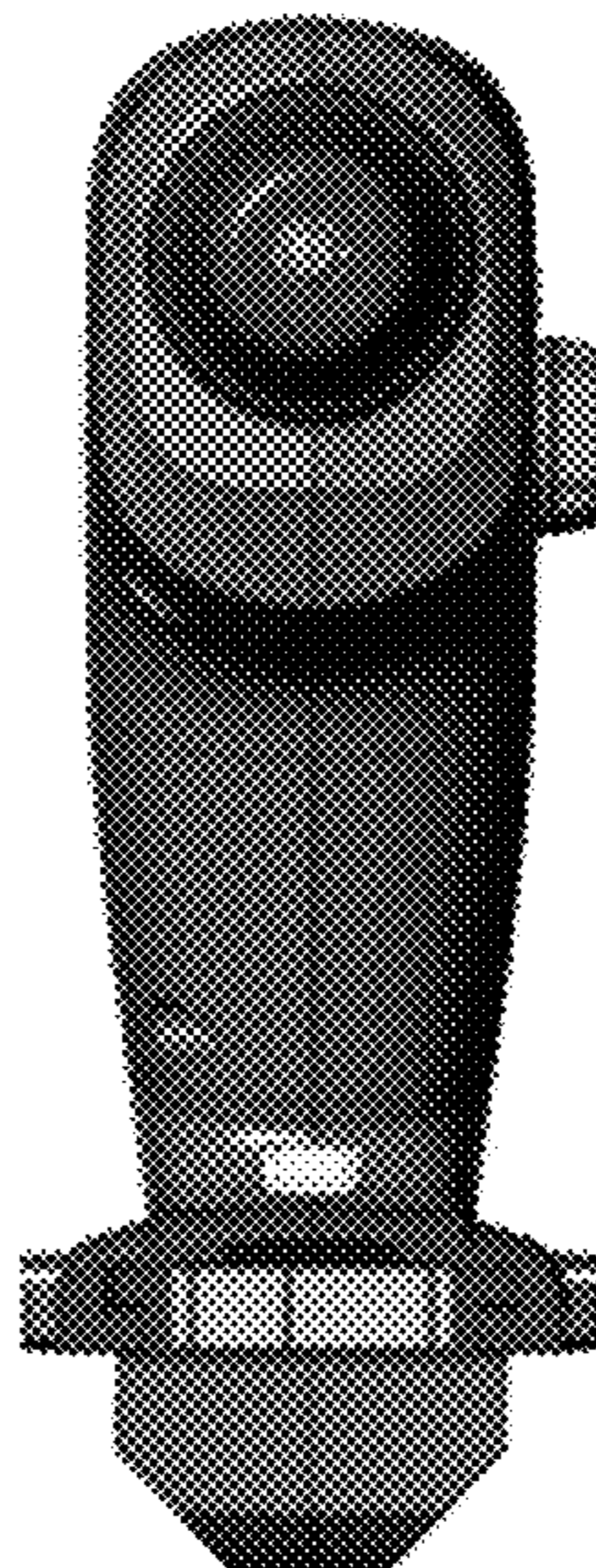
FIG. 1 is a front view of a first embodiment of the rotary hammer showing the present design;
FIG. 2 is a rear view thereof;
FIG. 3 is a top view thereof;
FIG. 4 is a bottom view thereof;
FIG. 5 is a right side view thereof;
FIG. 6 is a left side view thereof;
FIG. 7 is a top, front perspective view thereof;
FIG. 8 is a front view of a second embodiment of the rotary hammer showing the present design;
FIG. 9 is a rear view thereof;
FIG. 10 is a top view thereof;
FIG. 11 is a bottom view thereof;
FIG. 12 is a right side view thereof;
FIG. 13 is a left side view thereof; and,
FIG. 14 is a top, front perspective view thereof.

(56) **References Cited**

U.S. PATENT DOCUMENTS

5,159,986 A *	11/1992	Hoser	B25D 16/006
				173/48
D342,878 S *	1/1994	Watanabe	D8/68

1 Claim, 14 Drawing Sheets



(56)

References Cited

U.S. PATENT DOCUMENTS

D567,614	S *	4/2008	Okuda	D8/68
7,398,834	B2 *	7/2008	Jung	B25D 16/006
				173/4
D587,546	S *	3/2009	Wright	D8/68
D592,478	S *	5/2009	Wright	D8/68
D617,168	S *	6/2010	Yamamoto	D8/68
D631,721	S *	2/2011	Aglassinger	D8/67
D707,520	S *	6/2014	Aglassinger	D8/68
D708,032	S *	7/2014	Aglassinger	D8/68
D719,428	S *	12/2014	Aoki	D8/68
D761,070	S *	7/2016	Sell	D8/68
D872,552	S *	1/2020	Gu	D8/68
2006/0162943	A1 *	7/2006	Stirm	B25D 11/106
				173/205
2006/0272836	A1 *	12/2006	Hirayama	B25F 5/00
				173/217
2007/0039747	A1 *	2/2007	Stirm	B25D 11/005
				173/202
2009/0056967	A1 *	3/2009	Sell	B25D 11/005
				173/205

* cited by examiner

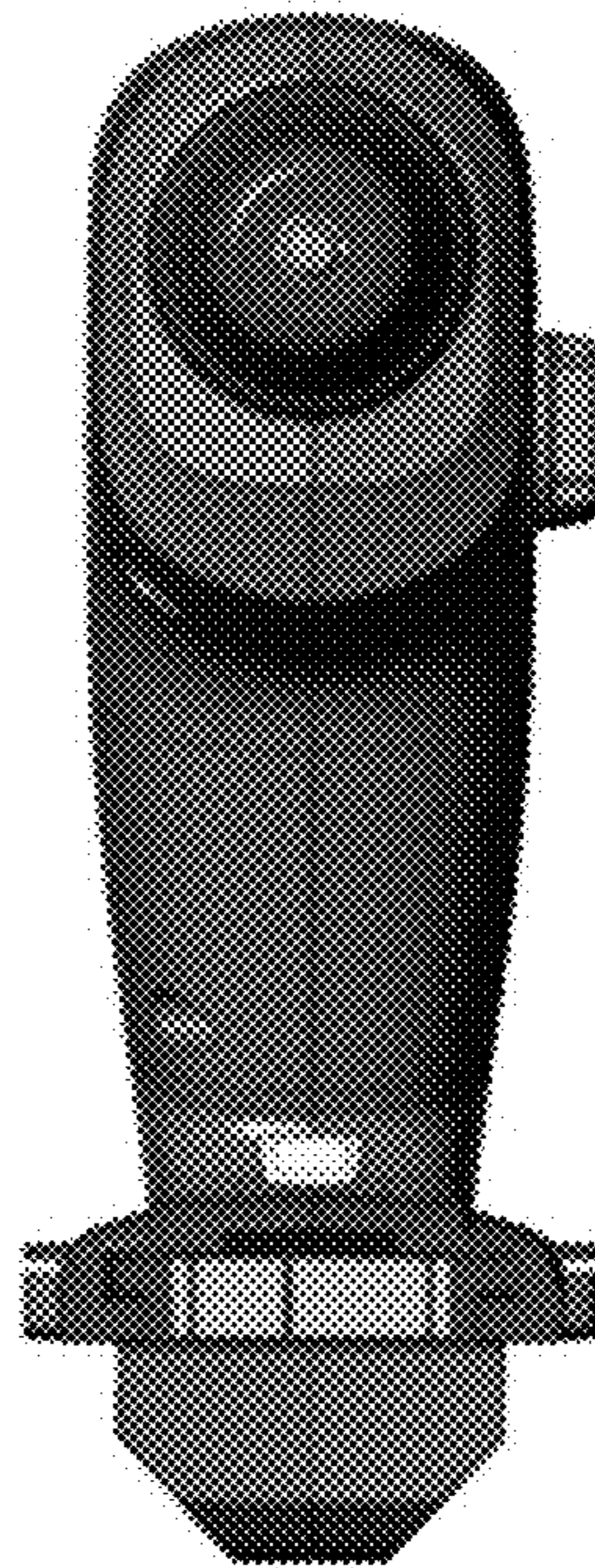


Fig. 1

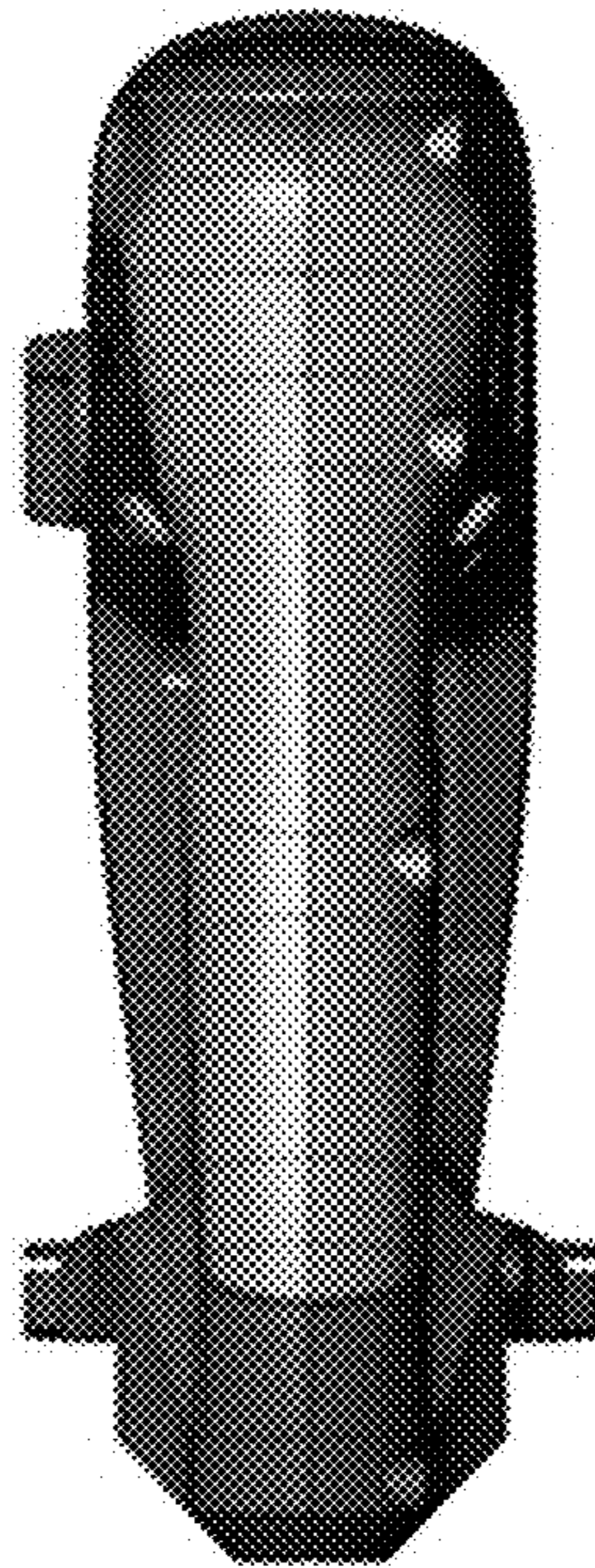


Fig. 2

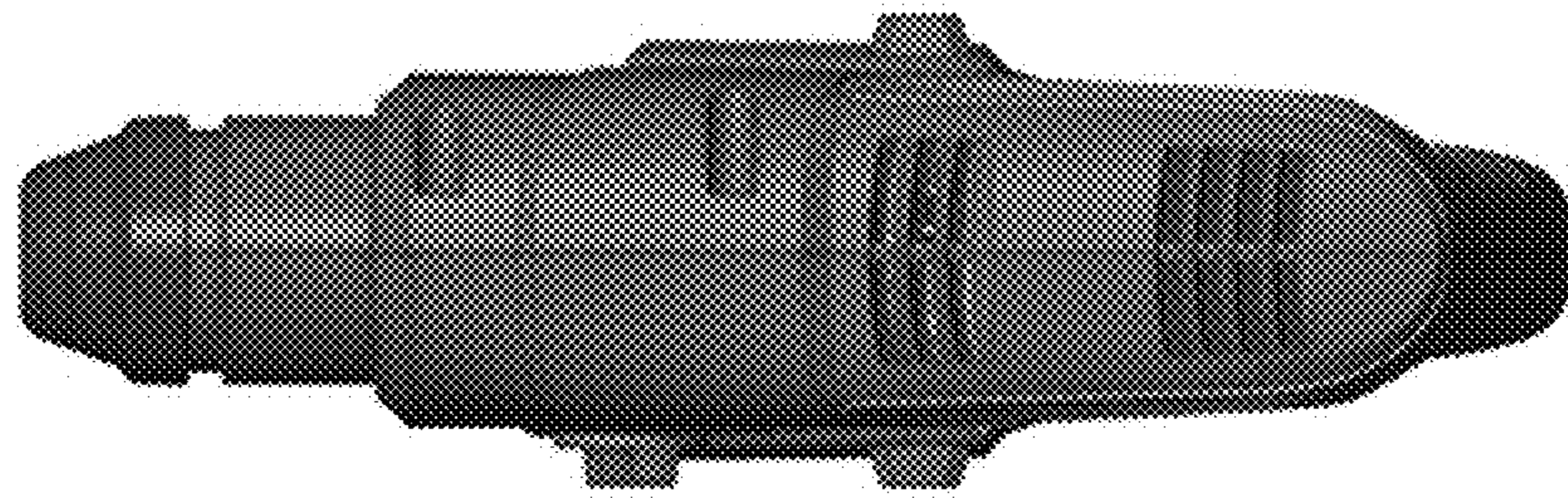


Fig. 3

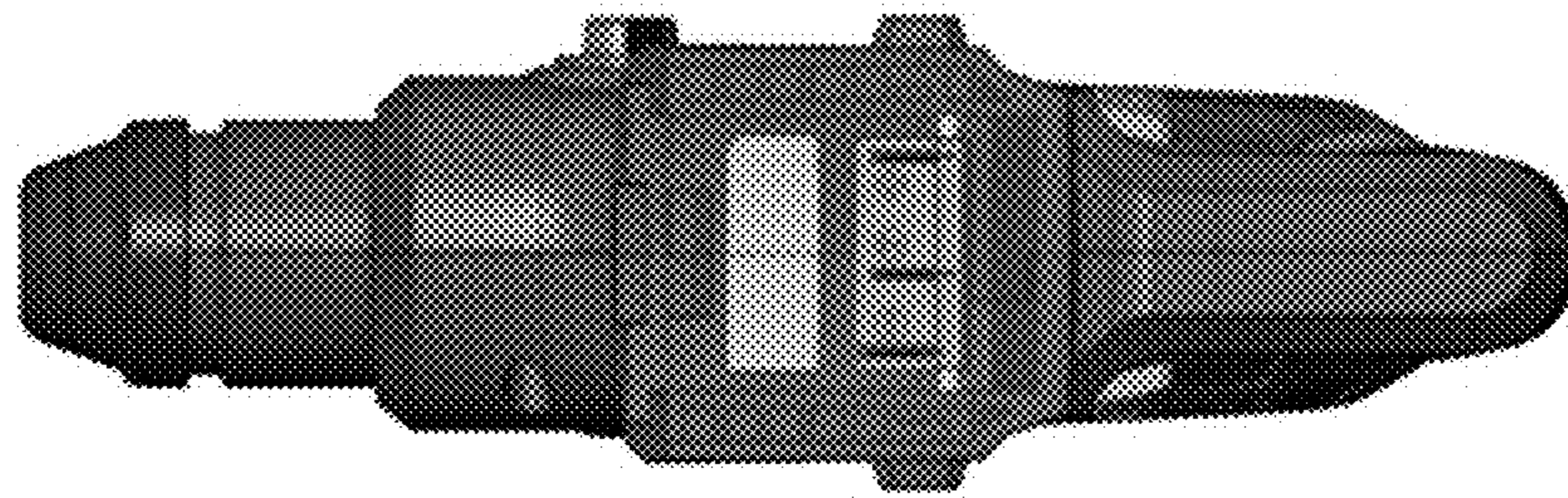


Fig. 4



Fig. 5

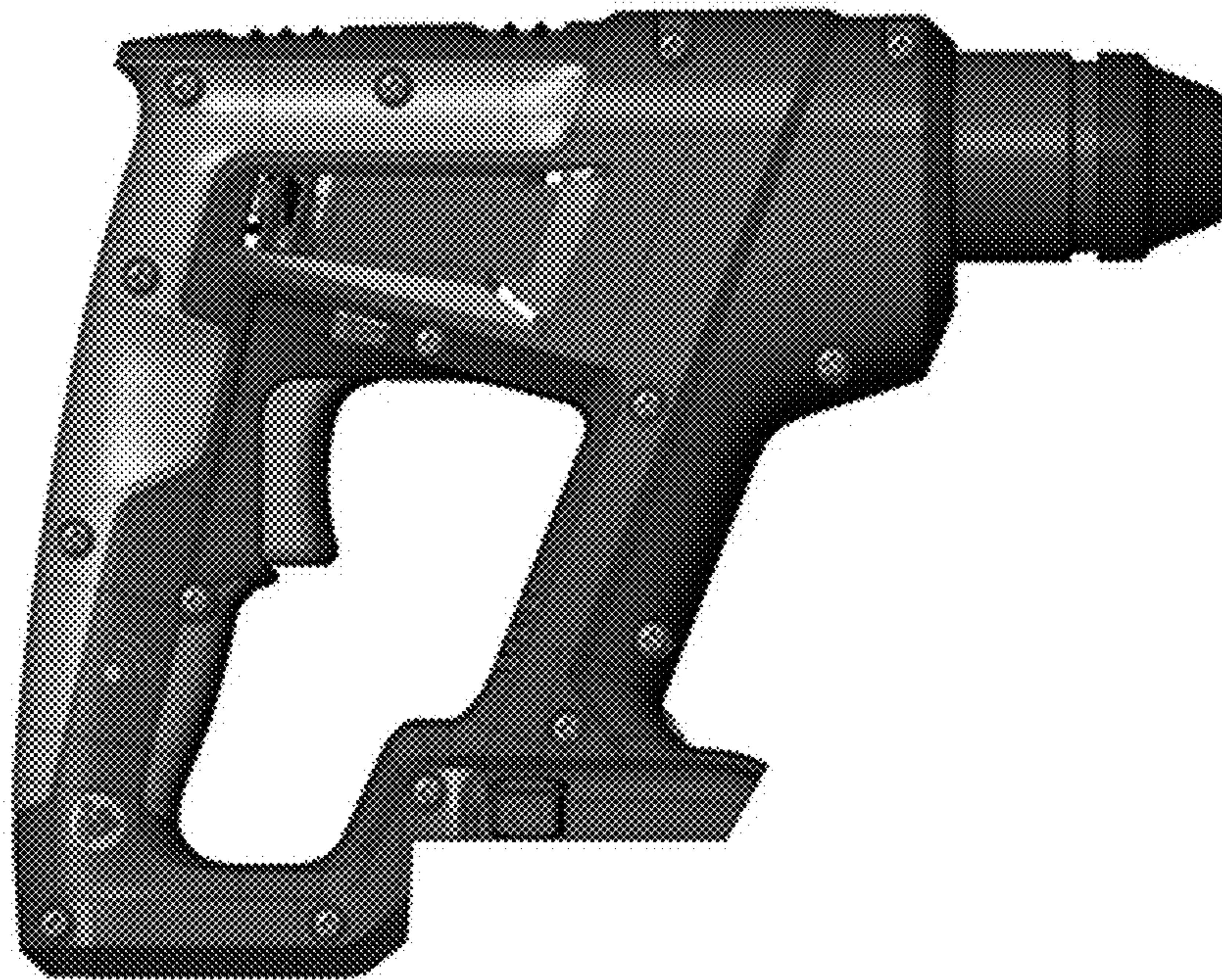


Fig. 6



Fig. 7

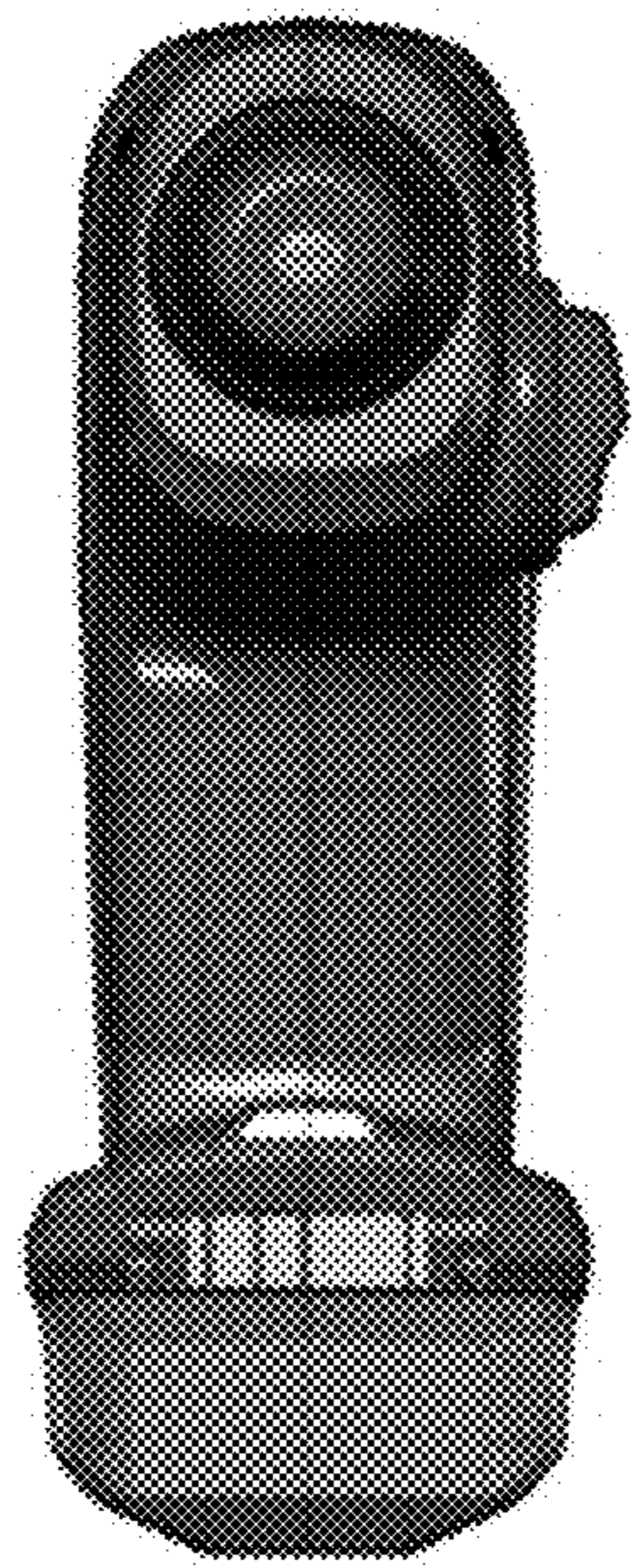


Fig. 8

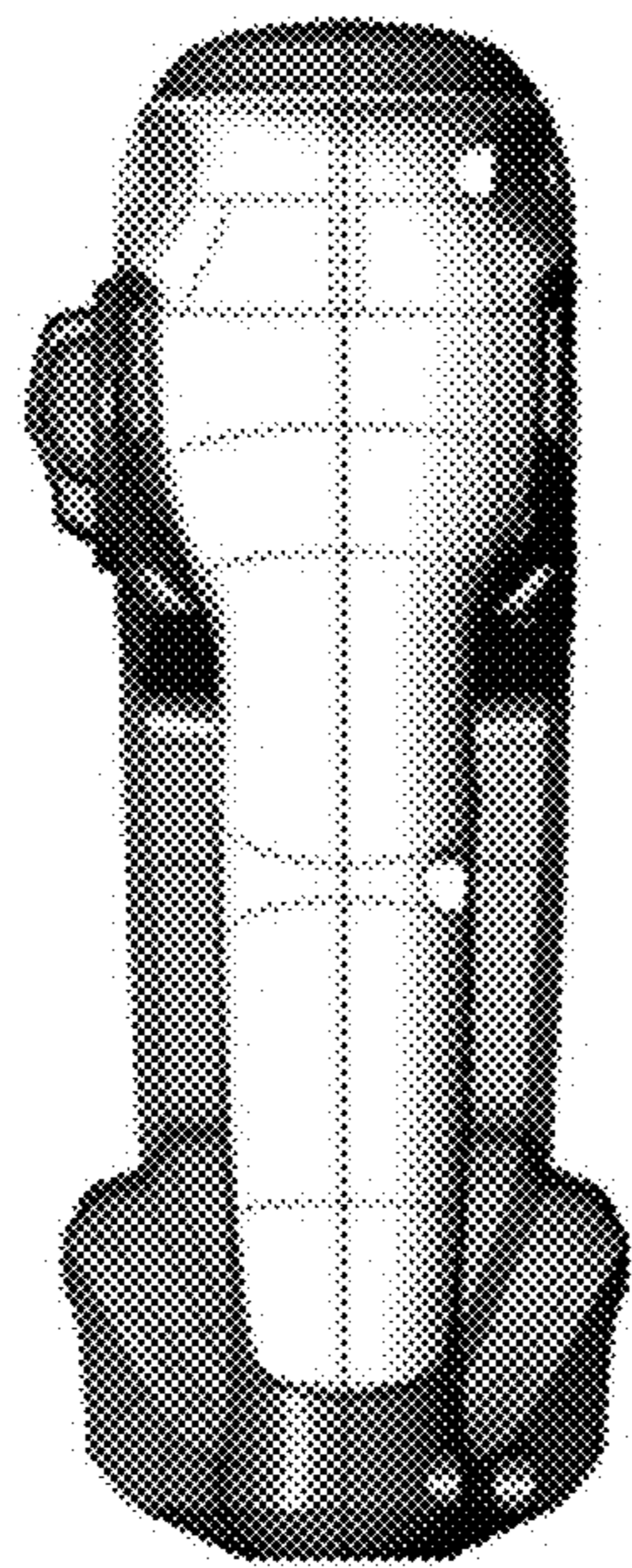


Fig. 9

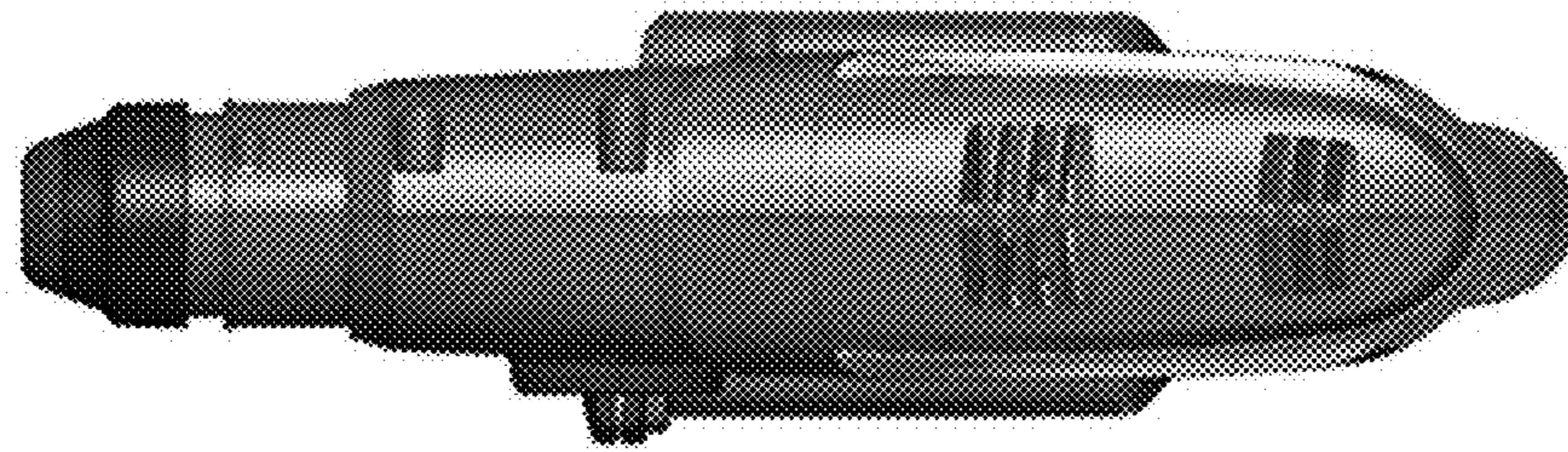


Fig. 10

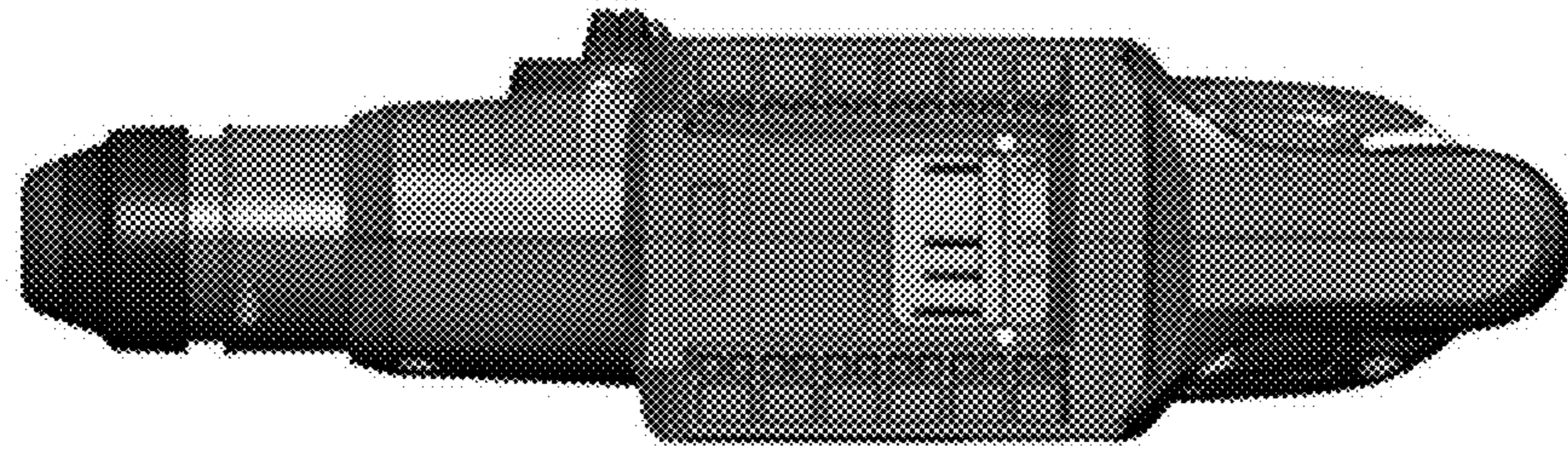


Fig. 11



Fig. 12



Fig. 13



Fig. 14