



US00D979367S

(12) **United States Design Patent**
Suzuki et al.

(10) **Patent No.:** **US D979,367 S**

(45) **Date of Patent:** **** Feb. 28, 2023**

(54) **PORTABLE ELECTRIC CUTOUT TOOL**

(71) Applicant: **MAKITA CORPORATION**, Anjo (JP)

(72) Inventors: **Wataru Suzuki**, Anjo (JP); **Takeshi Yamazaki**, Anjo (JP); **Katsumi Okouchi**, Anjo (JP)

(73) Assignee: **MAKITA CORPORATION**, Anjo (JP)

(**) Term: **15 Years**

(21) Appl. No.: **29/749,671**

(22) Filed: **Sep. 8, 2020**

(30) **Foreign Application Priority Data**

Mar. 9, 2020 (JP) 2020-004626 D

(51) **LOC (14) Cl.** **08-03**

(52) **U.S. Cl.**
USPC **D8/64; D15/131**

(58) **Field of Classification Search**
USPC D15/138, 139, 127, 133; D8/61, 64, 107
CPC B23D 49/00; B23D 49/10; B23D 49/11;
B23D 49/105; B23D 49/002; B23D
49/06; B23D 49/04; B23D 65/00; B23D
65/02; B23D 65/04; B26D 1/00
See application file for complete search history.

(56) **References Cited**

U.S. PATENT DOCUMENTS

D364,790 S * 12/1995 Duennes D8/61
5,829,931 A * 11/1998 Doumani B25F 5/003
409/218

(Continued)

OTHER PUBLICATIONS

Cut-Out Tool, available in makitatools.com, undated product page [online], [site visited Aug. 5, 2022], Internet URL: <https://www.makitatools.com/products/details/XOC02Z> (Year: 2022).*

(Continued)

Primary Examiner — Calvin E Vansant

Assistant Examiner — Eidiol Ghigliotty Torres

(74) *Attorney, Agent, or Firm* — Global IP Counselors, LLP

(57) **CLAIM**

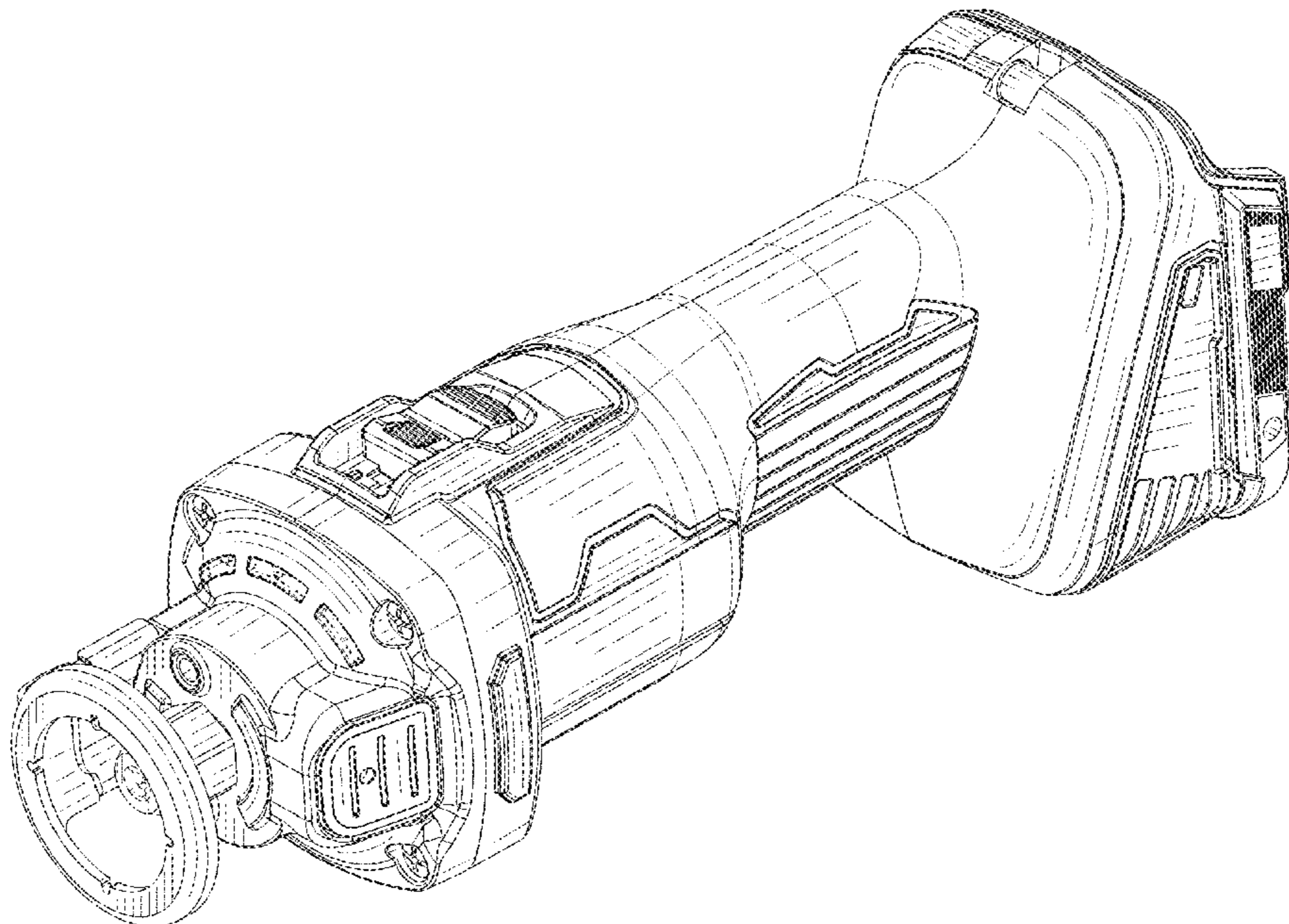
The ornamental design for a portable electric cutout tool, as shown and described.

DESCRIPTION

FIG. 1 is a front perspective view of a portable electric cutout tool in accordance with our new design; FIG. 2 is a rear perspective view of the portable electric cutout tool in accordance with our new design; FIG. 3 is a front elevational view of the portable electric cutout tool in accordance with our new design; FIG. 4 is a rear elevational view of the portable electric cutout tool in accordance with our new design; FIG. 5 is a top plan view of the portable electric cutout tool in accordance with our new design; FIG. 6 is a bottom plan view of the portable electric cutout tool in accordance with our new design; FIG. 7 is a right side elevational view of the portable electric cutout tool in accordance with our new design; FIG. 8 is a left side elevational view of the portable electric cutout tool in accordance with our new design; and, FIG. 9 is a front perspective view of the portable electric cutout tool in accordance with our new design illustrating a state in which a blade and a battery are attached to the portable electric cutout tool.

The broken lines in the drawings illustrate the environmental structures or portions of the portable electric cutout tool which form no part of the claimed design.

1 Claim, 9 Drawing Sheets



(56)

References Cited

U.S. PATENT DOCUMENTS

D437,757 S * 2/2001 Thomson D8/61
 D438,076 S * 2/2001 Wikle D8/61
 D447,028 S * 8/2001 Wikle D8/61
 D447,030 S * 8/2001 Chen D8/61
 D470,735 S * 2/2003 Heun B27C 5/10
 D8/61
 D473,119 S * 4/2003 Evans D8/61
 D477,758 S * 7/2003 Chunn B27C 5/10
 D8/64
 D479,451 S * 9/2003 Evans D8/61
 D481,919 S * 11/2003 Sham B27C 5/10
 D8/64
 D484,763 S * 1/2004 Sham B27C 5/10
 D8/64
 D526,176 S * 8/2006 Lopano B27C 5/10
 D8/61
 D528,099 S * 9/2006 Riley D14/155

D570,172 S * 6/2008 Heun D8/61
 D709,747 S 7/2014 Okouchi et al.
 D925,315 S * 7/2021 James B27C 5/10
 D8/62
 2014/0048301 A1* 2/2014 Okouchi B27C 5/10
 173/217
 2014/0116738 A1* 5/2014 Okouchi B27C 5/10
 173/46

OTHER PUBLICATIONS

Cordless Cut-Out Tool, available in <https://www.homedepot.com>, oldest review date: Jan. 10, 2021 [online], [site visited Aug. 5, 2022], Internet URL:<https://www.homedepot.com/p/Makita-18V-LXT-Lithium-Ion-Brushless-Cordless-Cut-Out-Tool-AWS-Capable-Tool-Only-XOC02Z/315172159?source=shoppingads&locale=en-US> (Year: 2021).*

* cited by examiner

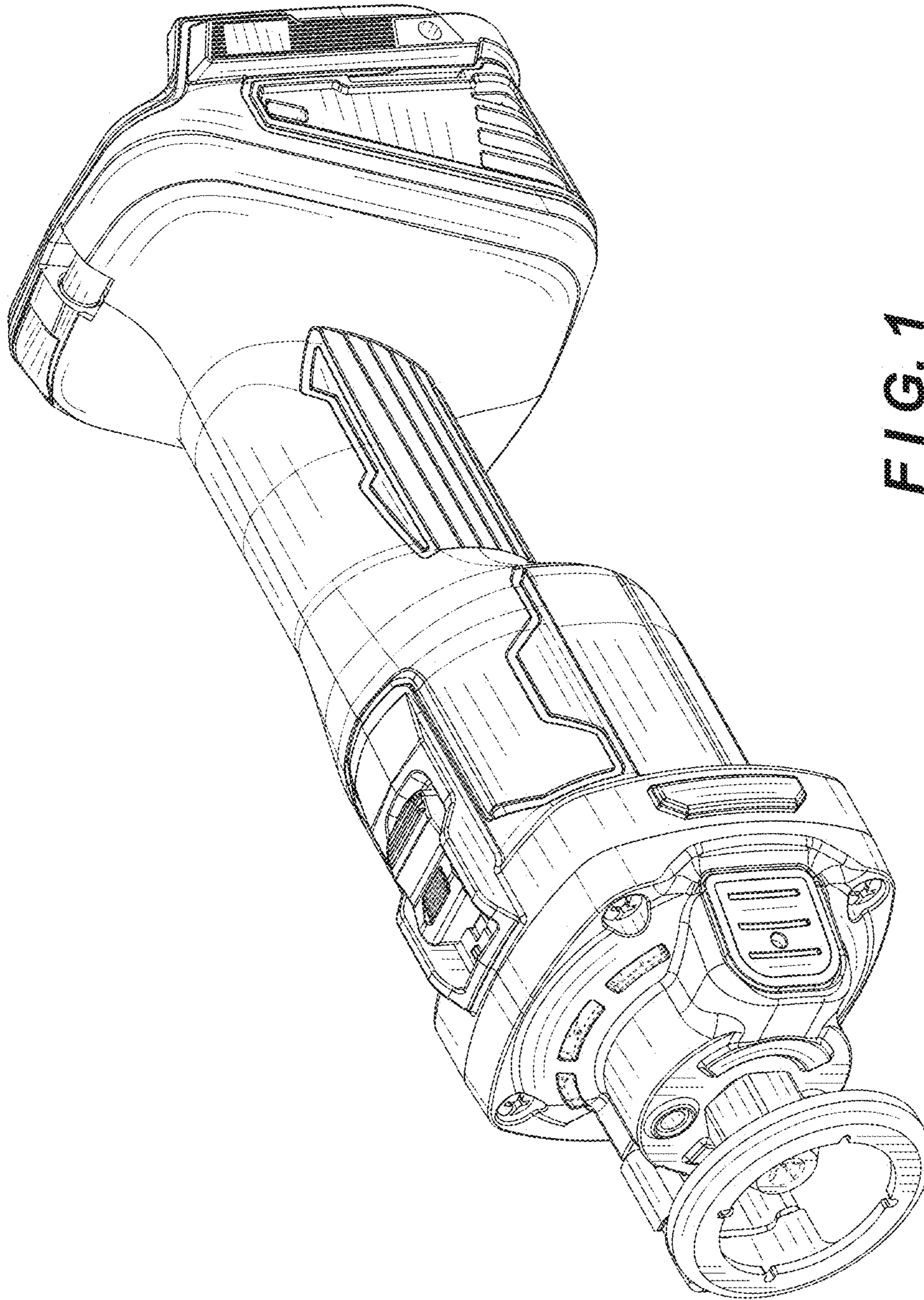


FIG. 1

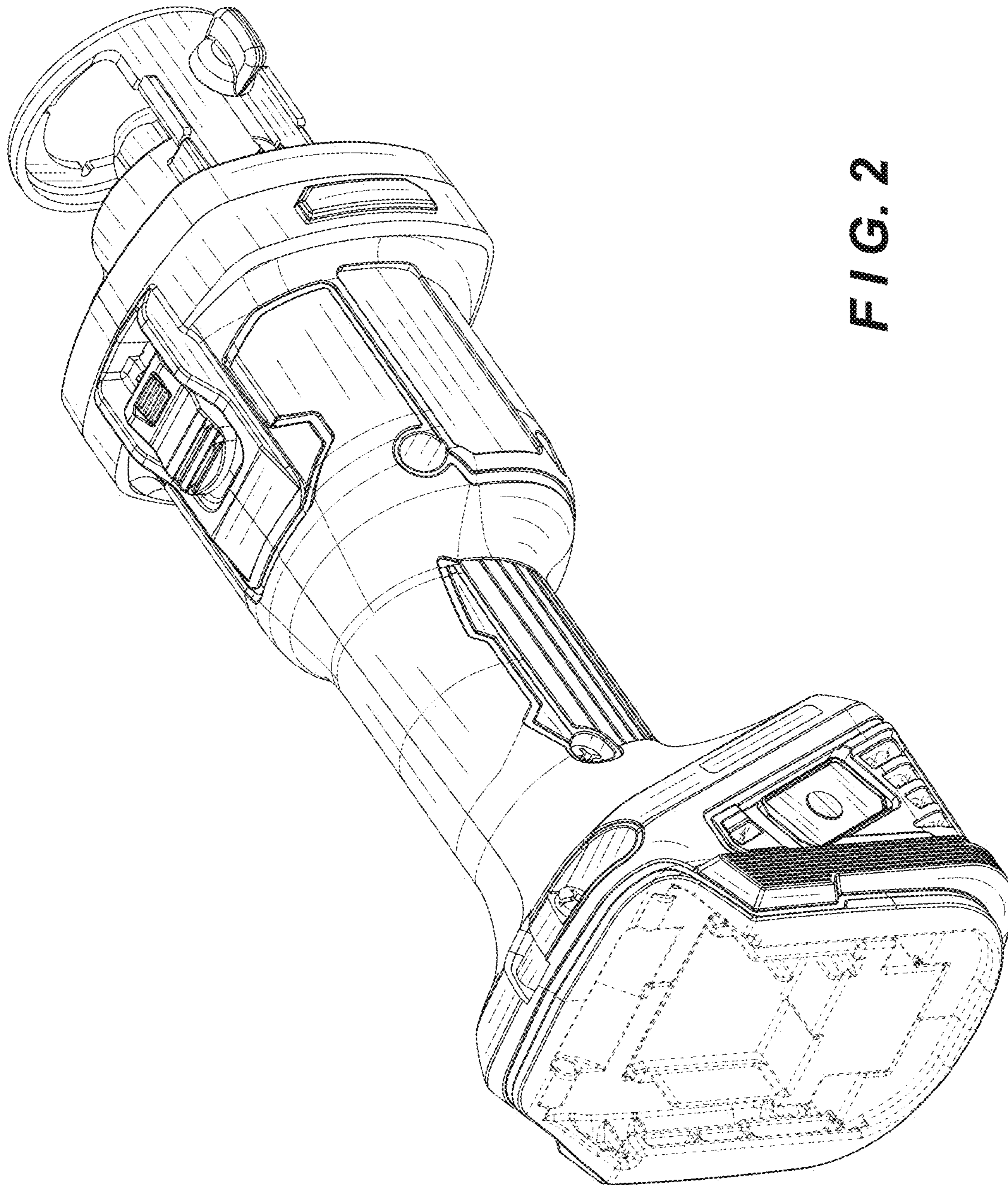


FIG. 2

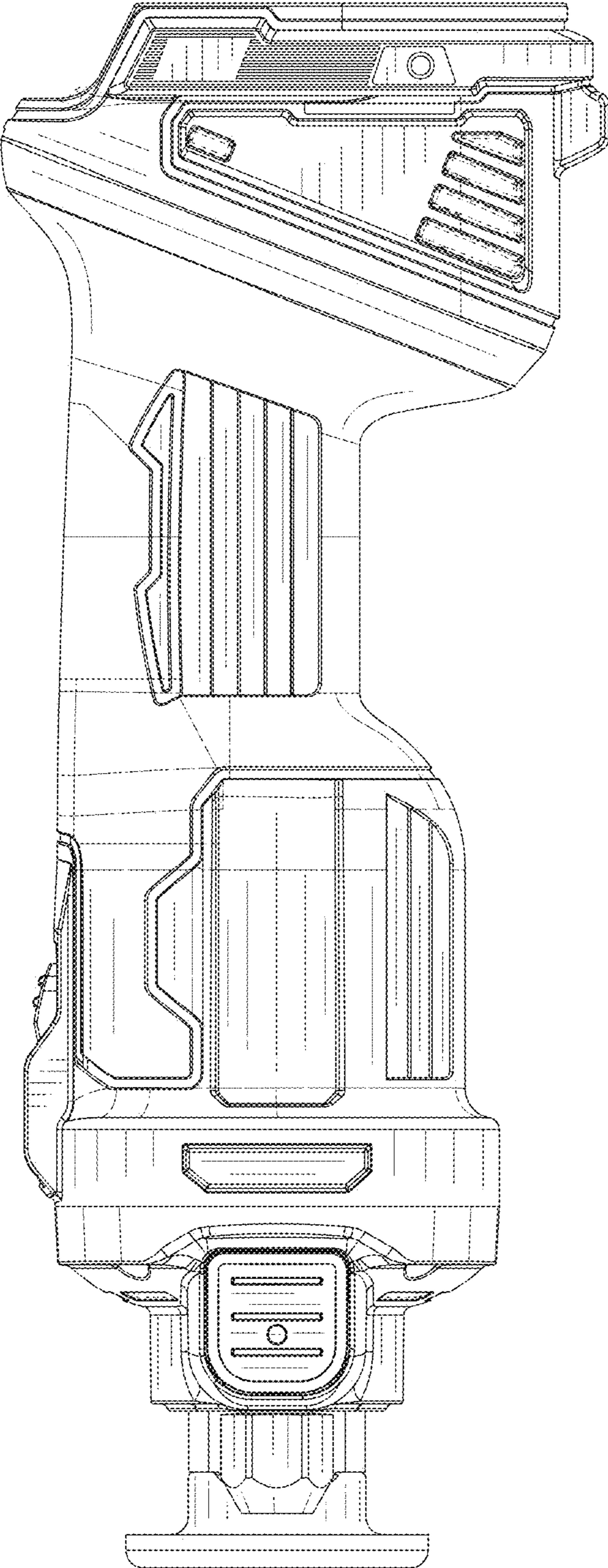


FIG. 3

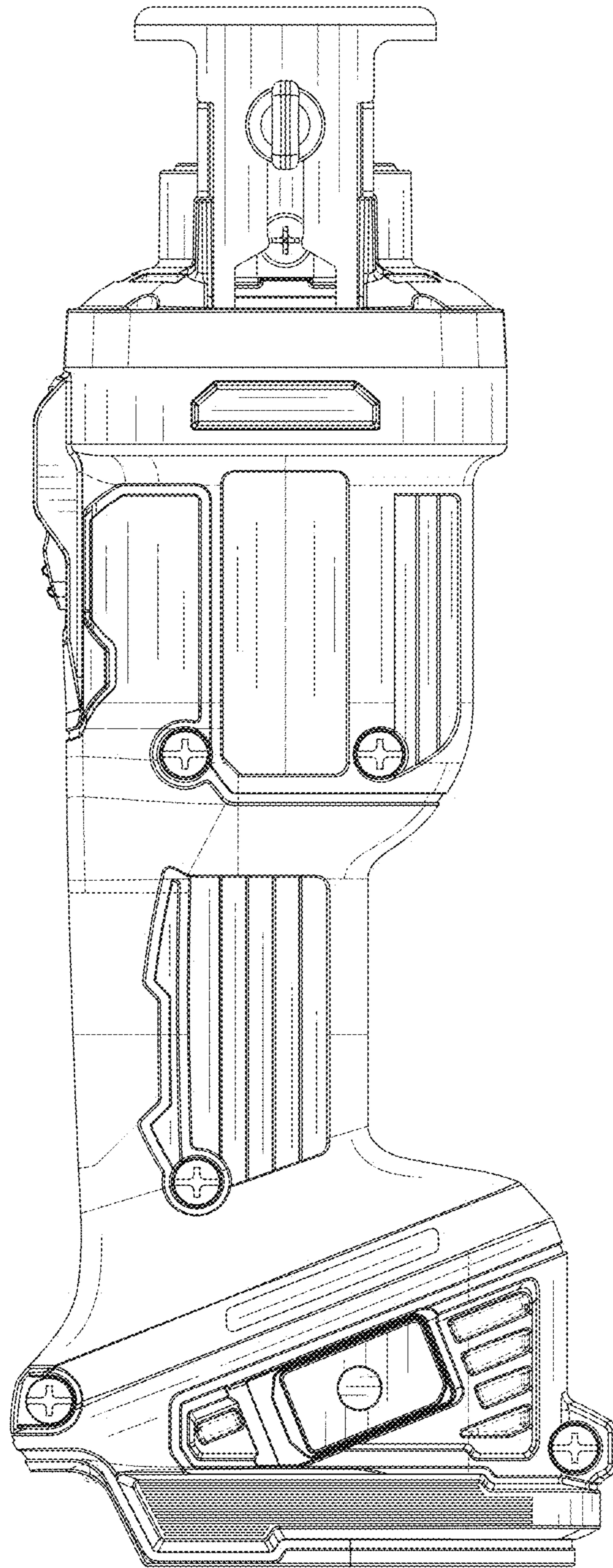


FIG. 4

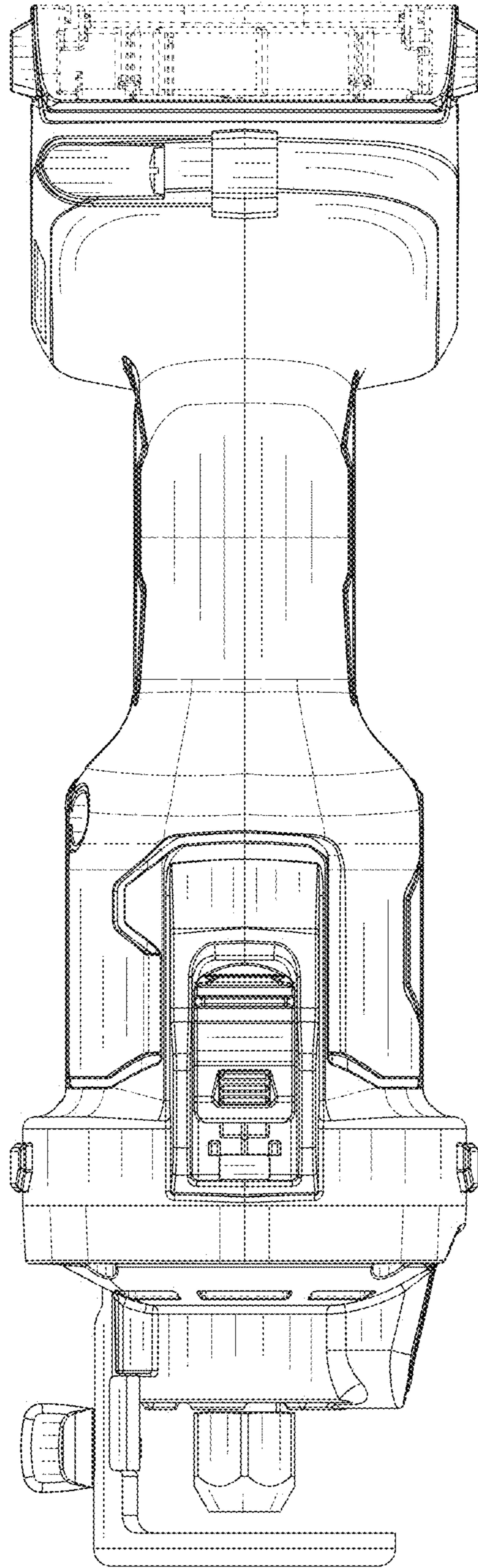


FIG. 5

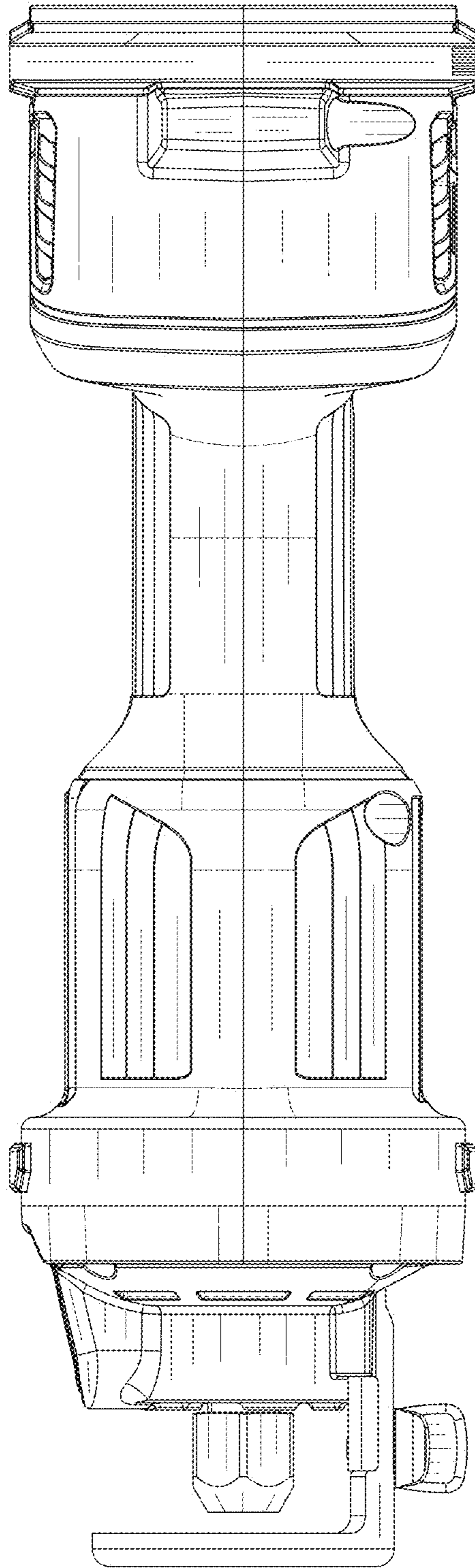


FIG. 6

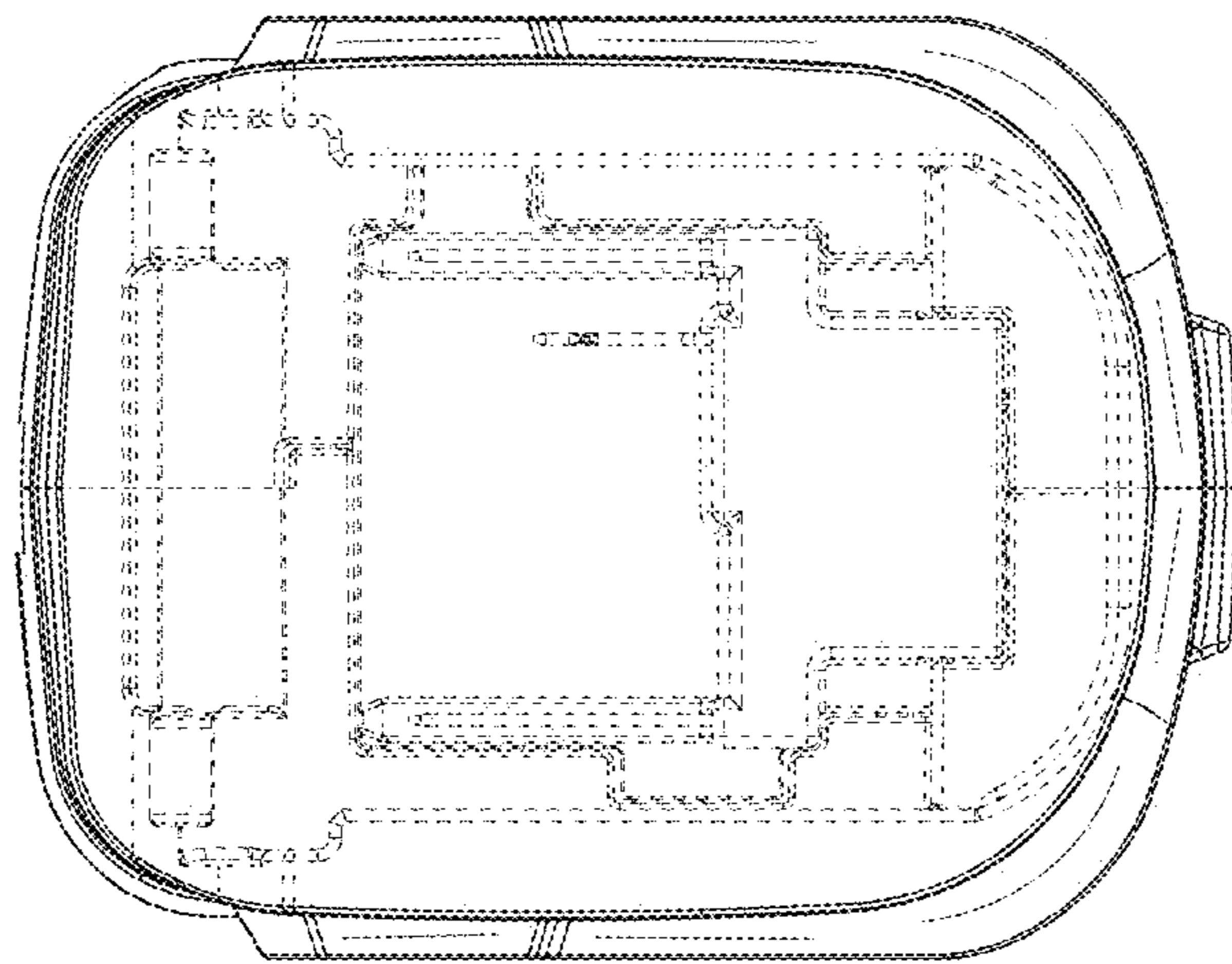


FIG. 7

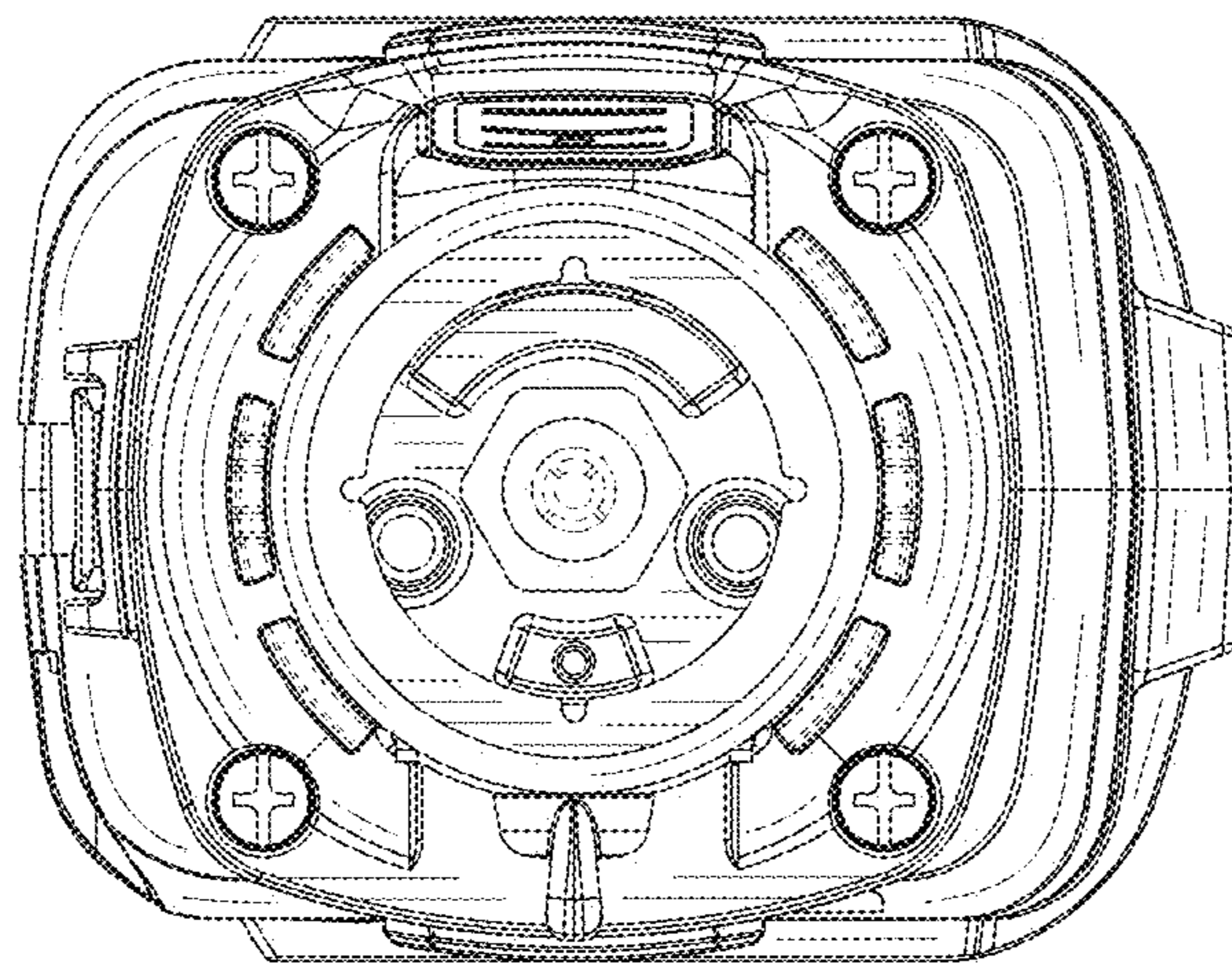


FIG. 8

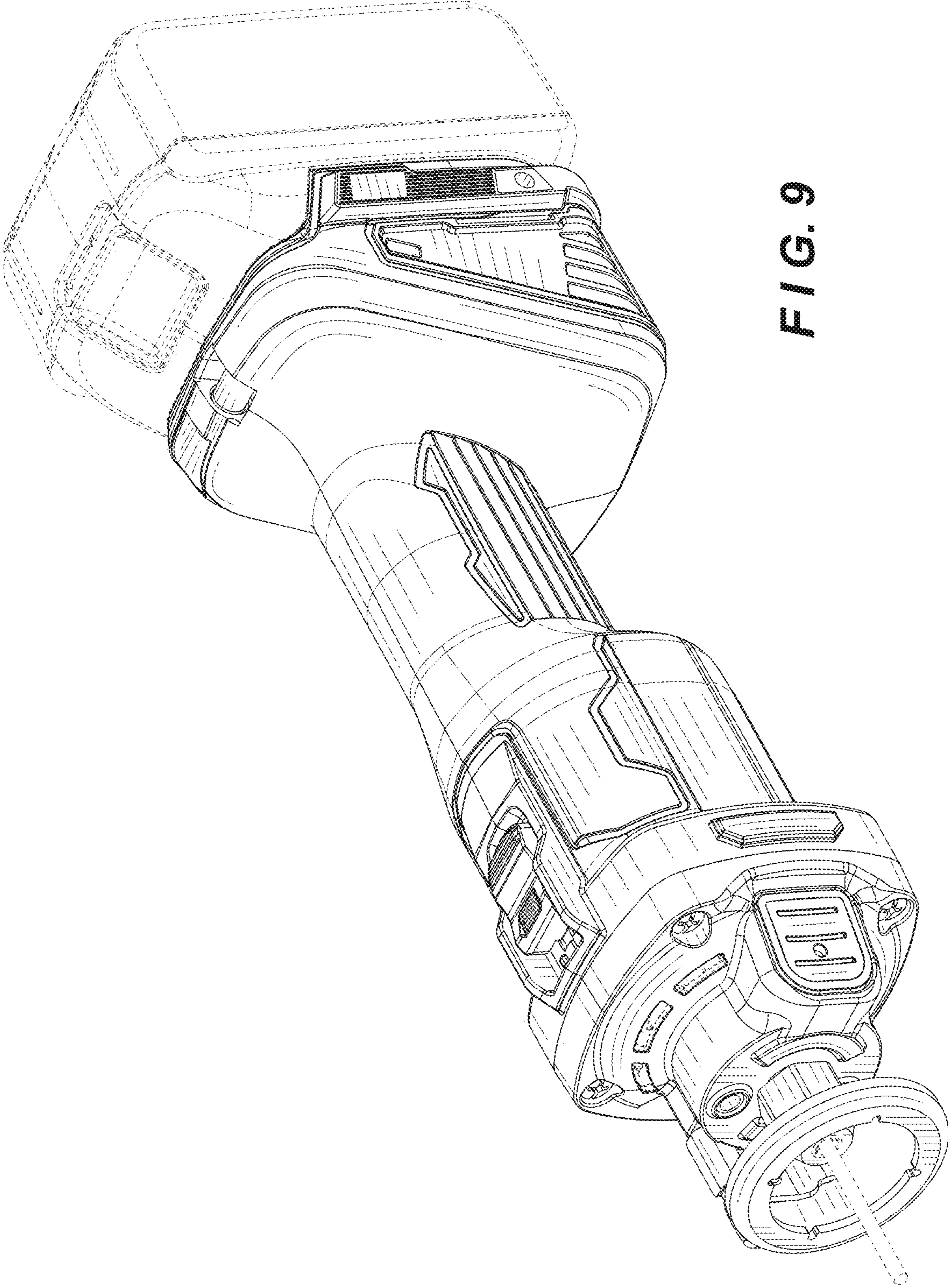


FIG. 9