



US00D979364S

(12) **United States Design Patent** (10) **Patent No.:** **US D979,364 S**  
**Du** (45) **Date of Patent:** **\*\* Feb. 28, 2023**

(54) **GROMMET PLIER**

OTHER PUBLICATIONS

- (71) Applicant: **Zhijun Du**, Guangzhou (CN)
- (72) Inventor: **Zhijun Du**, Guangzhou (CN)
- (\* ) Notice: Patent file contains an affidavit/declaration under 37 CFR 1.130(b).
- (\*\* ) Term: **15 Years**
- (21) Appl. No.: **29/811,320**
- (22) Filed: **Oct. 13, 2021**
- (51) **LOC (14) Cl.** ..... **08-05**
- (52) **U.S. Cl.**  
USPC ..... **D8/52**
- (58) **Field of Classification Search**  
USPC ..... D8/51-60  
CPC ..... B25B 7/00; B25B 7/02  
See application file for complete search history.

“Upgraded Version Grommet Tool Kit,Handheld 3/8 inch Eyelet Kit Manual Grommet Press Machine with 500 pcs 10 mm Grommets” product listing on Amazon.com, listed as first available on Jun. 11, 2021. Retrieved on Jul. 1, 2022 from <https://a.co/d/1fK0hOV> (Year: 2021).\*

“Bizoepro Grommet Tool Kit Grommets Press Grommet Pliers Punch Kits Handheld Eyelets W/with 500pcs 3/8 Inch (10mm) Silver Grommets Tarp Fabric Leather Shoes” product listing on Amazon.com, listed as first available on Apr. 28, 2021. Retrieved on Jul. 1, 2022 from <https://a.co/d/fiBfnza> (Year: 2021).\*

“Beamnova 3/8 Inch (10mm) Grommet Pliers Kit with 500 Grommet Supplies & Hollow Hole Punch Tool Black Hand Press Handheld Eyelet Setter for Tarp Leather Canvas” product listing on Amazon.com, listed as first available on May 5, 2021. Retrieved on Jul. 1, 2022 from <https://a.co/d/8Ws0ek5> (Year: 2021).\*

(Continued)

*Primary Examiner* — Deanna L Pratt  
(74) *Attorney, Agent, or Firm* — Xiaofang Zhong

(57) **CLAIM**

The ornamental design for a grommet plier, as shown and described.

**DESCRIPTION**

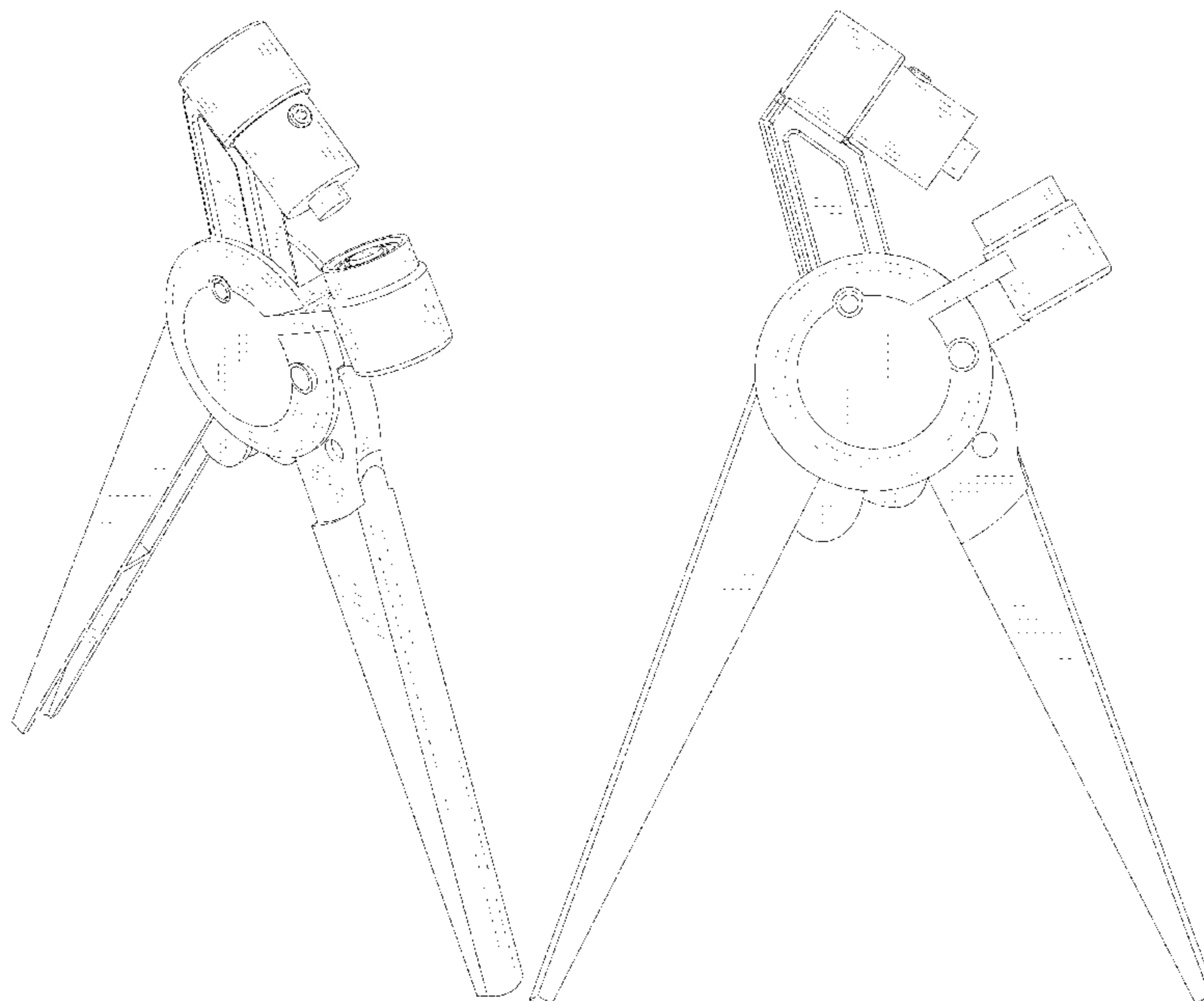
FIG. 1 is a perspective view of a grommet plier showing my new design;  
FIG. 2 is another perspective view of the grommet plier thereof;  
FIG. 3 is a front elevational view thereof;  
FIG. 4 is a rear elevational view thereof;  
FIG. 5 is a right side view thereof;  
FIG. 6 is a left side view thereof;  
FIG. 7 is a top plan view thereof; and,  
FIG. 8 is a bottom plan view thereof.

**1 Claim, 8 Drawing Sheets**

(56) **References Cited**

U.S. PATENT DOCUMENTS

2,755,541	A *	7/1956	Kruger	.....	B25B 7/02
					29/268
3,519,188	A *	7/1970	Erhardt, Jr.	.....	A41H 37/006
					29/243.517
D255,641	S	7/1980	Wakeman		
D477,508	S *	7/2003	Brady	.....	D8/52
D592,474	S *	5/2009	Lin	.....	D8/52
D760,050	S	6/2016	Liao et al.		
D760,389	S	6/2016	Burdess		
D810,535	S	2/2018	Liu		
D835,965	S	12/2018	Su		
D848,808	S	5/2019	Zhong		
D850,228	S	6/2019	Moyer et al.		
D876,192	S	2/2020	Su		
D879,571	S	3/2020	Thomas		
D906,074	S	12/2020	Glockseisen et al.		



(56)

**References Cited**

OTHER PUBLICATIONS

“Qeerbsin Grommet Tool Kit Portable Handheld Hole Punch Pliers with 500pcs 3/8 Inch (10mm) Silver Grommets for Leather, Fabric, Tarp, Shoes, Clothing” product listing on Amazon.com, listed as first available on Aug. 23, 2021. Retrieved on Jul. 1, 2022 from <https://a.co/d/6kspSop> (Year: 2021).\*

\* cited by examiner

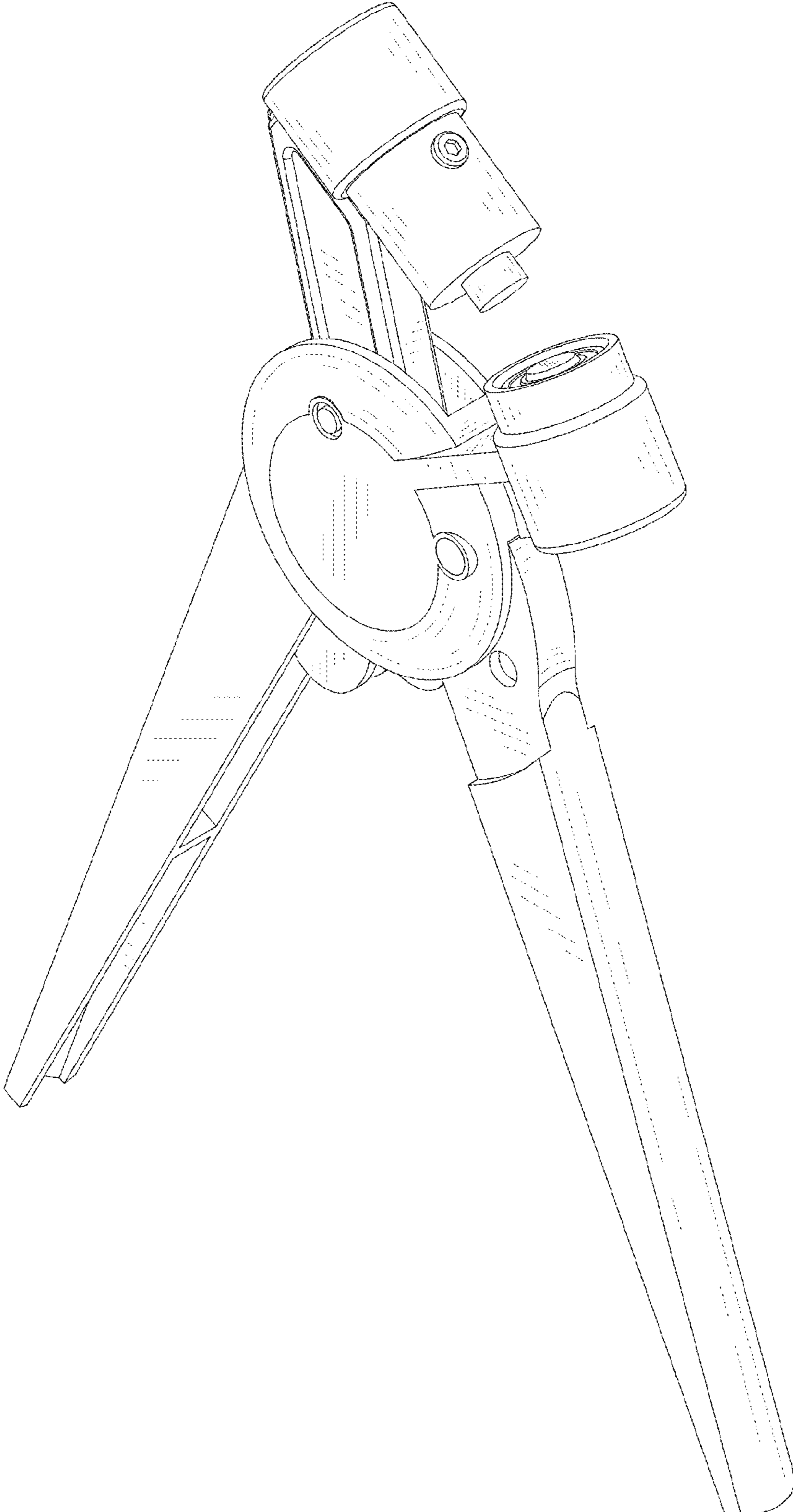


FIG.1

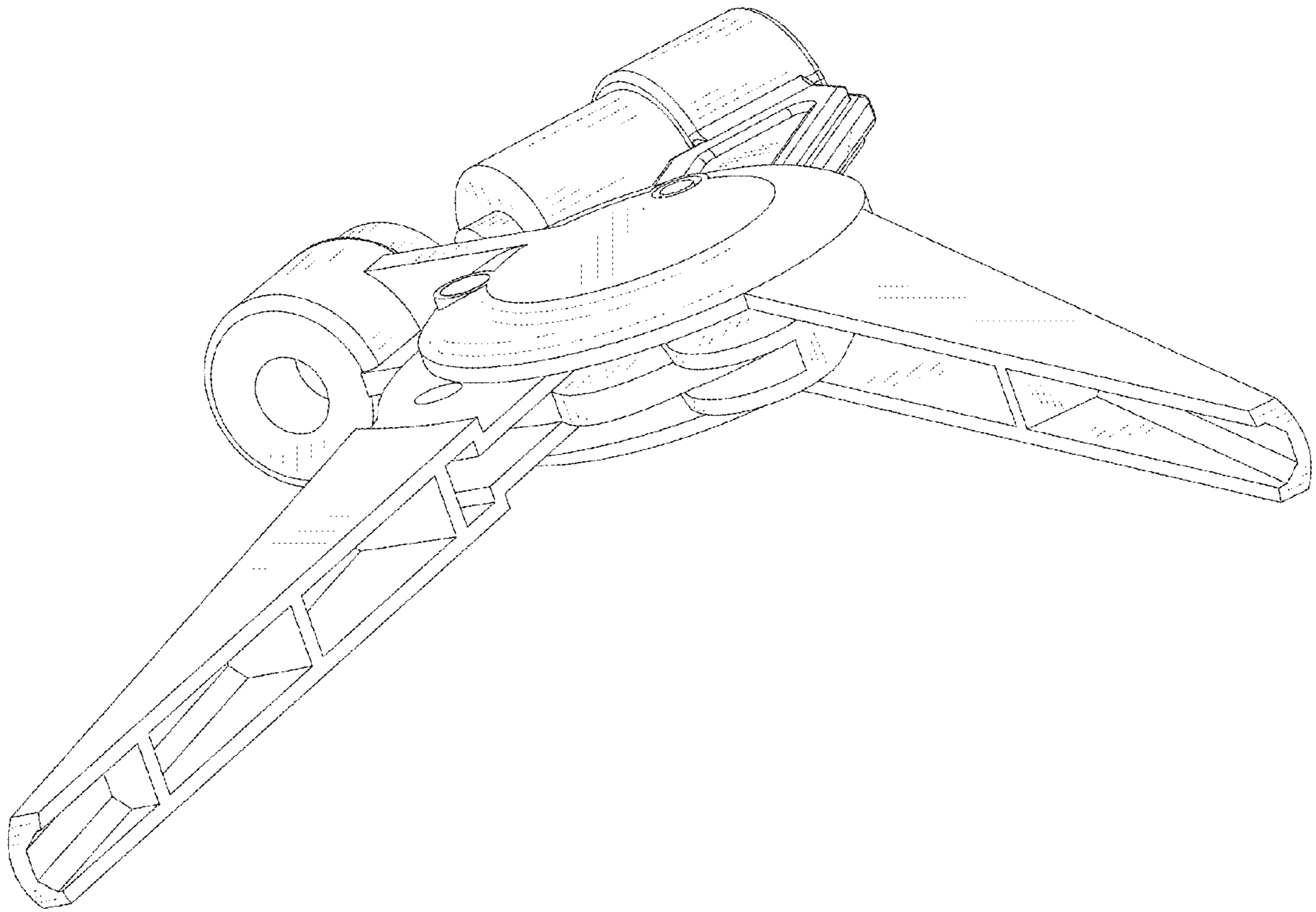


FIG.2

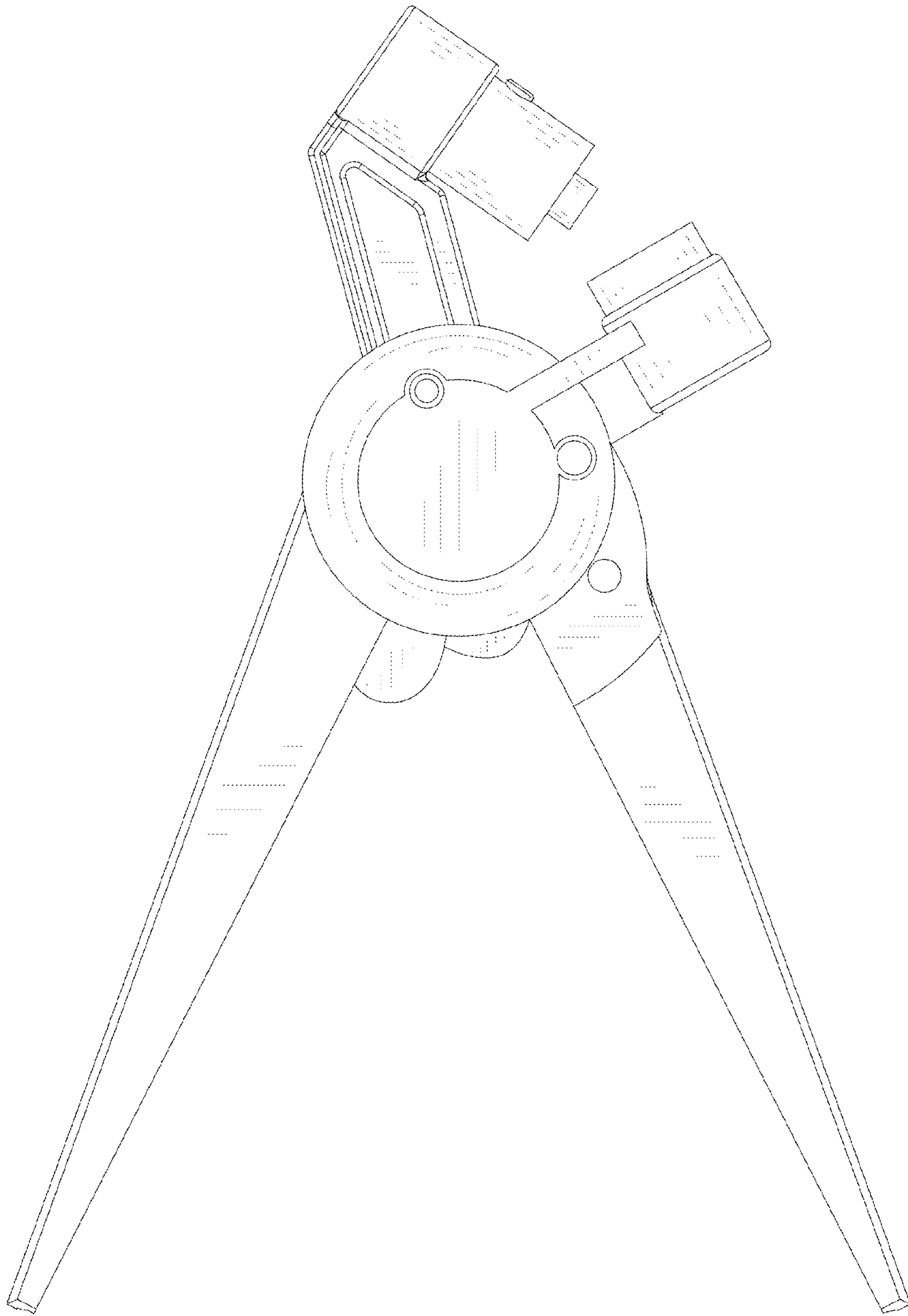


FIG.3

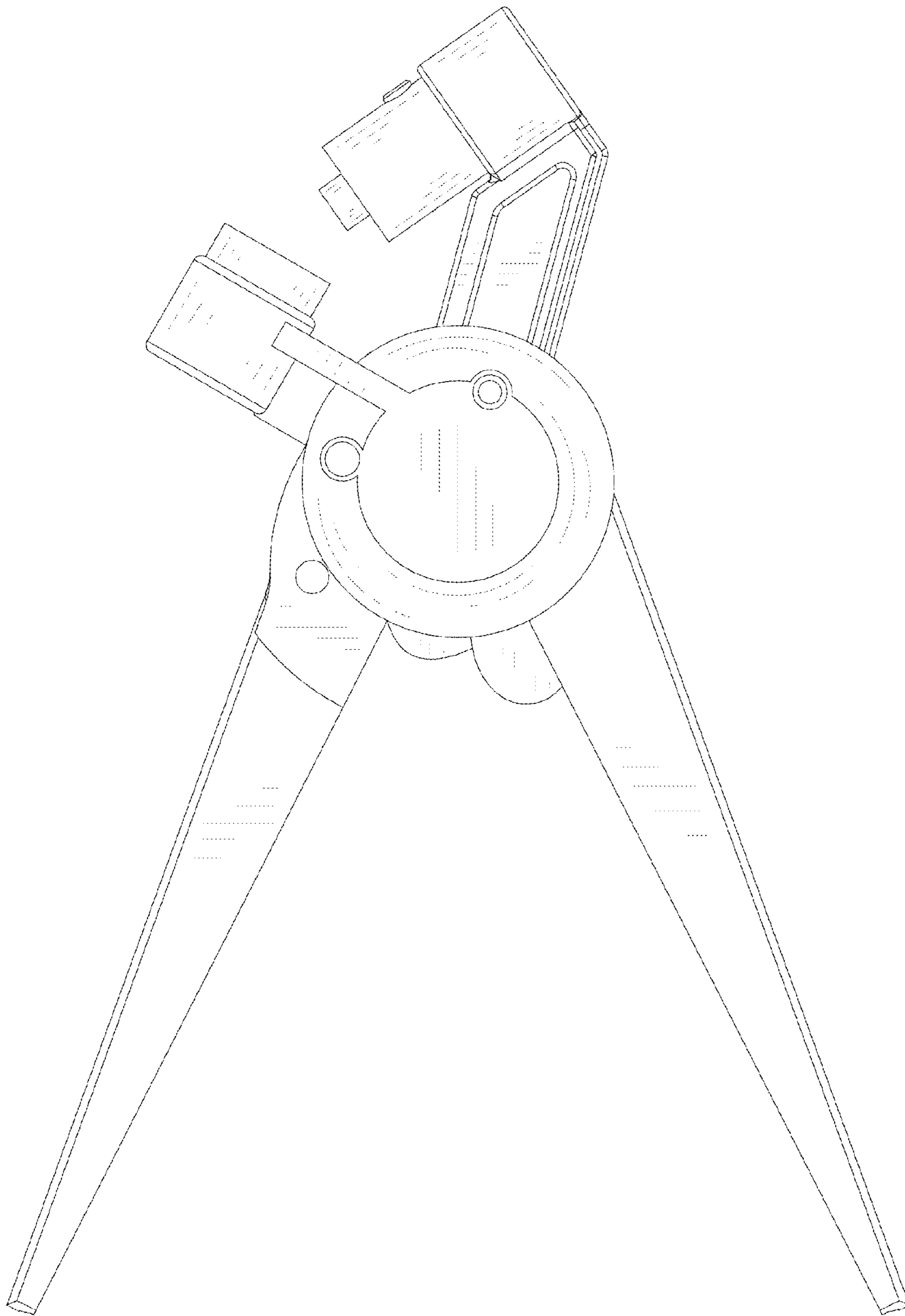


FIG.4

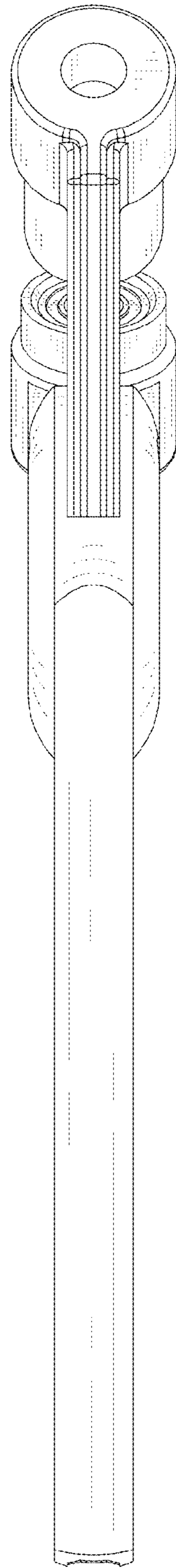


FIG. 5

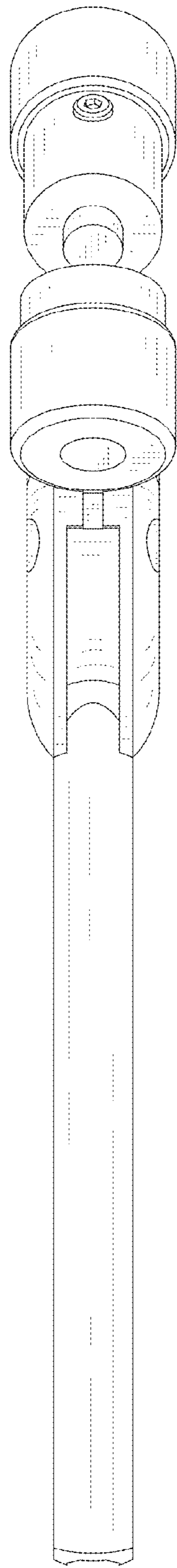


FIG. 6



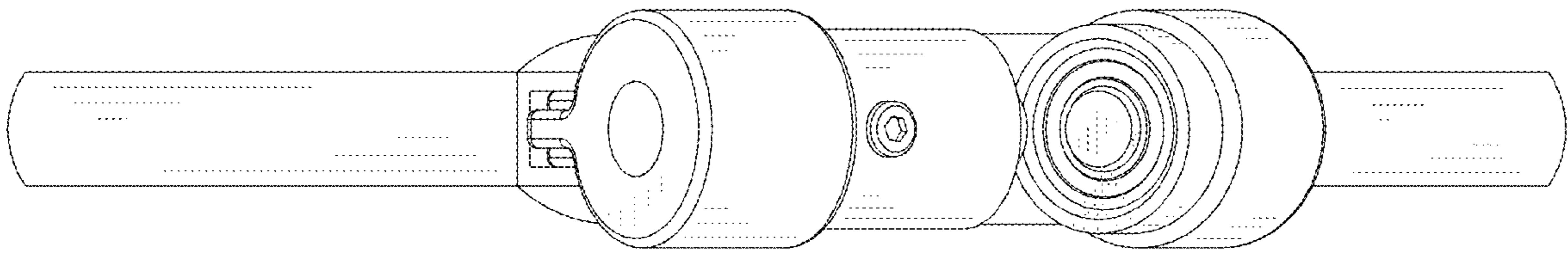


FIG. 7

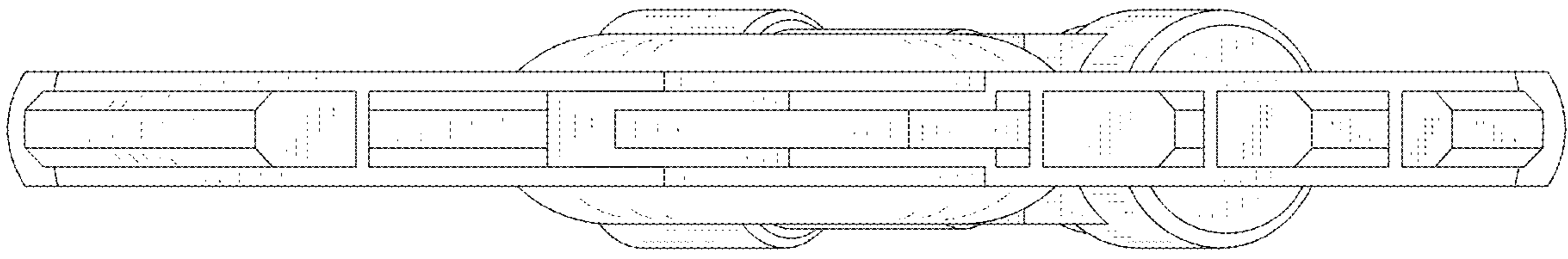


FIG. 8