



US00D979362S

(12) **United States Design Patent** (10) **Patent No.:** **US D979,362 S**  
**Leonhardt et al.** (45) **Date of Patent:** **\*\* Feb. 28, 2023**

(54) **STAPLER**  
(71) Applicant: **ACCO Brands Corporation**, Lake Zurich, IL (US)  
(72) Inventors: **Wolf Leonhardt**, Stuttgart (DE); **Stefan Kettner**, Stuttgart (DE); **Hans Georg Kloster**, Stuttgart (DE)  
(73) Assignee: **ACCO Brands Corporation**, Lake Zurich, IL (US)

D511,665 S 11/2005 Sauter et al.  
D514,904 S 2/2006 Sauter et al.  
D530,578 S 10/2006 Sauter et al.  
D531,470 S 11/2006 Kirby et al.  
D542,613 S \* 5/2007 Marks ..... D8/50  
(Continued)

**FOREIGN PATENT DOCUMENTS**

DE S40205645-0001 9/2002  
DE 102011107670 A1 1/2013  
(Continued)

(\*\*) Term: **15 Years**

**OTHER PUBLICATIONS**

(21) Appl. No.: **29/808,196**  
(22) Filed: **Sep. 17, 2021**  
(51) **LOC (14) Cl.** ..... **19-02**  
(52) **U.S. Cl.**  
USPC ..... **D8/49**  
(58) **Field of Classification Search**  
USPC ..... D8/49-50, 394-396, 380, 382, 391, 393,  
D8/374-375, 354, 400, 402, 499;  
D19/65, 72, 99-100  
CPC ..... B25C 5/0285; B25C 1/123; B25C 5/025;  
B25C 5/0207; B25C 5/0214; B25C 11/02  
See application file for complete search history.

Swingline Stapler\_747, Date Visited: Nov. 28, 2022, Amazon, Date Available: Dec. 8, 2004, <https://www.amazon.com/Swingline-SWI74701-Classic-Stapler-Sheets/dp/B0006HUQYC?th=1> (Year: 2004).\*

(Continued)

*Primary Examiner* — Karen S Acker  
*Assistant Examiner* — Elizabeth S Ko  
(74) *Attorney, Agent, or Firm* — Michael Best & Friedrich LLP

(57) **CLAIM**

We claim the ornamental design for a stapler, as shown and described.

(56) **References Cited**

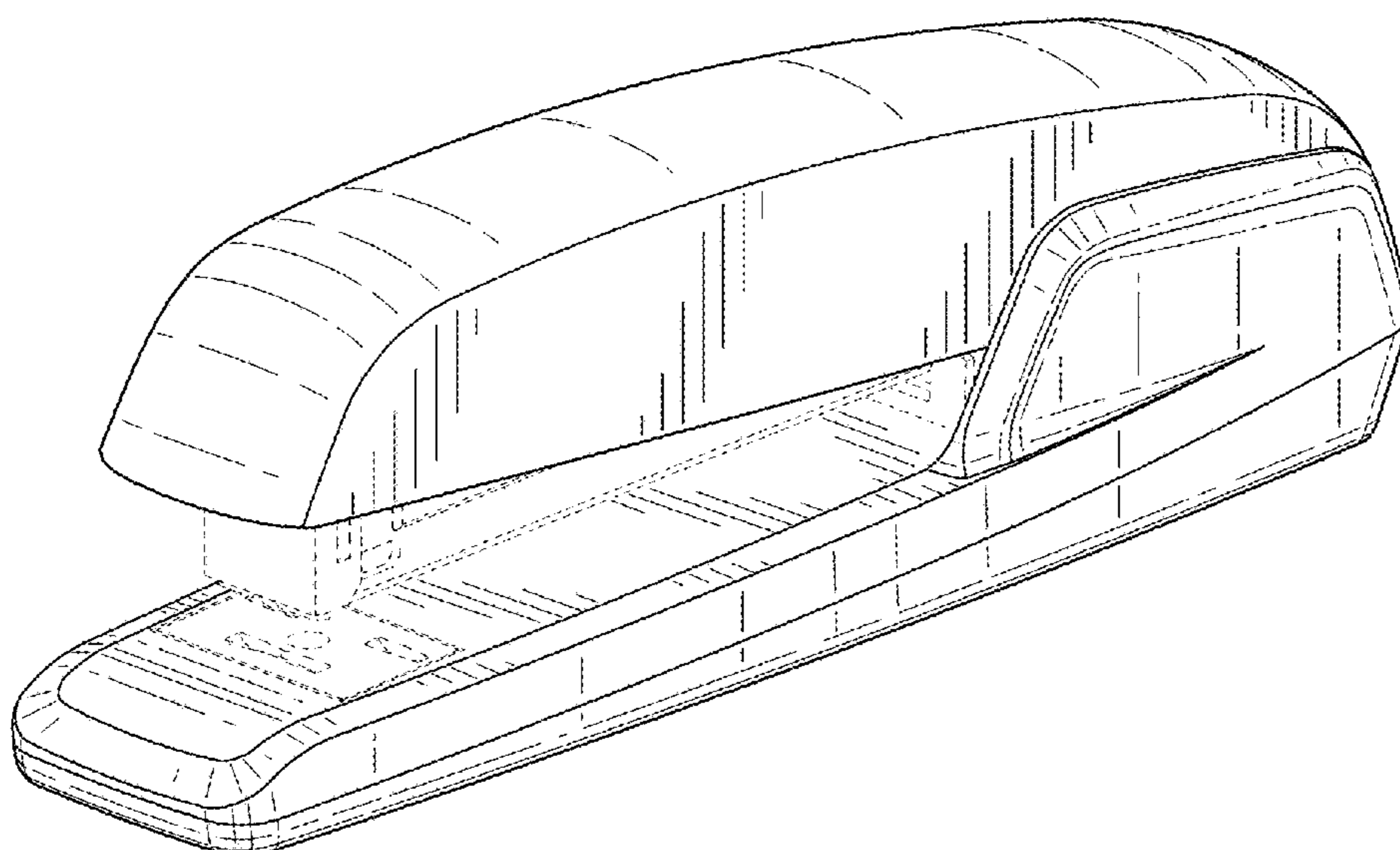
**DESCRIPTION**

**U.S. PATENT DOCUMENTS**

D175,094 S \* 7/1955 Ruskin ..... D8/50  
D277,162 S \* 1/1985 Power ..... 227/128  
D296,071 S \* 6/1988 Chi ..... D8/49  
D296,183 S \* 6/1988 Chi ..... D8/49  
D387,646 S 12/1997 Arns  
D414,999 S 10/1999 Wilson et al.  
D420,266 S 2/2000 Berry et al.  
D445,323 S 7/2001 Arns  
D447,396 S 9/2001 Arns  
D502,850 S 3/2005 Sauter et al.  
D502,851 S 3/2005 Sauter et al.  
D511,283 S 11/2005 Sauter et al.

FIG. 1 is a front perspective view of a stapler embodying the invention.  
FIG. 2 is a left side view of the stapler of FIG. 1.  
FIG. 3 is a right side view of the stapler of FIG. 1.  
FIG. 4 is a front view of the stapler of FIG. 1.  
FIG. 5 is a rear view of the stapler of FIG. 1; and,  
FIG. 6 is a top view of the stapler of FIG. 1.  
Portions of the stapler shown in broken lines form no part of the claimed design.

**1 Claim, 6 Drawing Sheets**



(56)

References Cited

U.S. PATENT DOCUMENTS

D543,428 S 5/2007 Kirby et al.  
 D554,456 S 11/2007 Chang  
 D557,092 S 12/2007 Harris et al.  
 D572,549 S 7/2008 Sudmalis et al.  
 D574,682 S \* 8/2008 Cunningham ..... D8/50  
 D574,683 S \* 8/2008 Cunningham ..... D8/50  
 D579,294 S \* 10/2008 Cunningham ..... D8/49  
 D579,295 S \* 10/2008 Cunningham ..... D8/49  
 D587,976 S 3/2009 Cunningham et al.  
 D599,636 S \* 9/2009 Cedar ..... D8/49  
 7,621,433 B2 11/2009 Ivarsson  
 D606,825 S \* 12/2009 Marks ..... D8/49  
 D606,826 S \* 12/2009 Marks ..... D8/49  
 D617,164 S 6/2010 Leung  
 D617,165 S \* 6/2010 Leung ..... D8/50  
 7,922,057 B2 4/2011 Ambjornsson et al.  
 8,297,485 B2 10/2012 Schneider et al.  
 8,579,173 B2 11/2013 Gustafsson et al.  
 8,622,273 B2 1/2014 Schneider et al.  
 D713,230 S \* 9/2014 Chuang ..... D8/49  
 D724,915 S 3/2015 Lin  
 D727,125 S \* 4/2015 Genord ..... D8/49  
 D740,632 S \* 10/2015 Monteleone ..... D8/50  
 D768,449 S \* 10/2016 Li ..... D8/49  
 D795,032 S \* 8/2017 Racamier ..... D8/49  
 D798,123 S \* 9/2017 Racamier ..... D8/49  
 D828,736 S \* 9/2018 Irigo ..... D8/50  
 10,166,667 B2 1/2019 Groch  
 D847,596 S \* 5/2019 Hastings ..... D8/49  
 D906,073 S \* 12/2020 Fish ..... D8/50  
 D913,065 S \* 3/2021 Chan ..... D8/49  
 D946,986 S \* 3/2022 Nakamura ..... D8/49  
 D959,222 S \* 8/2022 Fine ..... D8/49  
 2005/0223498 A1 10/2005 Kirby et al.  
 2005/0224555 A1 10/2005 Kirby et al.  
 2006/0144894 A1 7/2006 Kirby et al.  
 2006/0144895 A1 7/2006 Kirby et al.  
 2014/0367442 A1 12/2014 Gadekar et al.  
 2017/0203426 A1 \* 7/2017 Yu ..... B25C 5/025

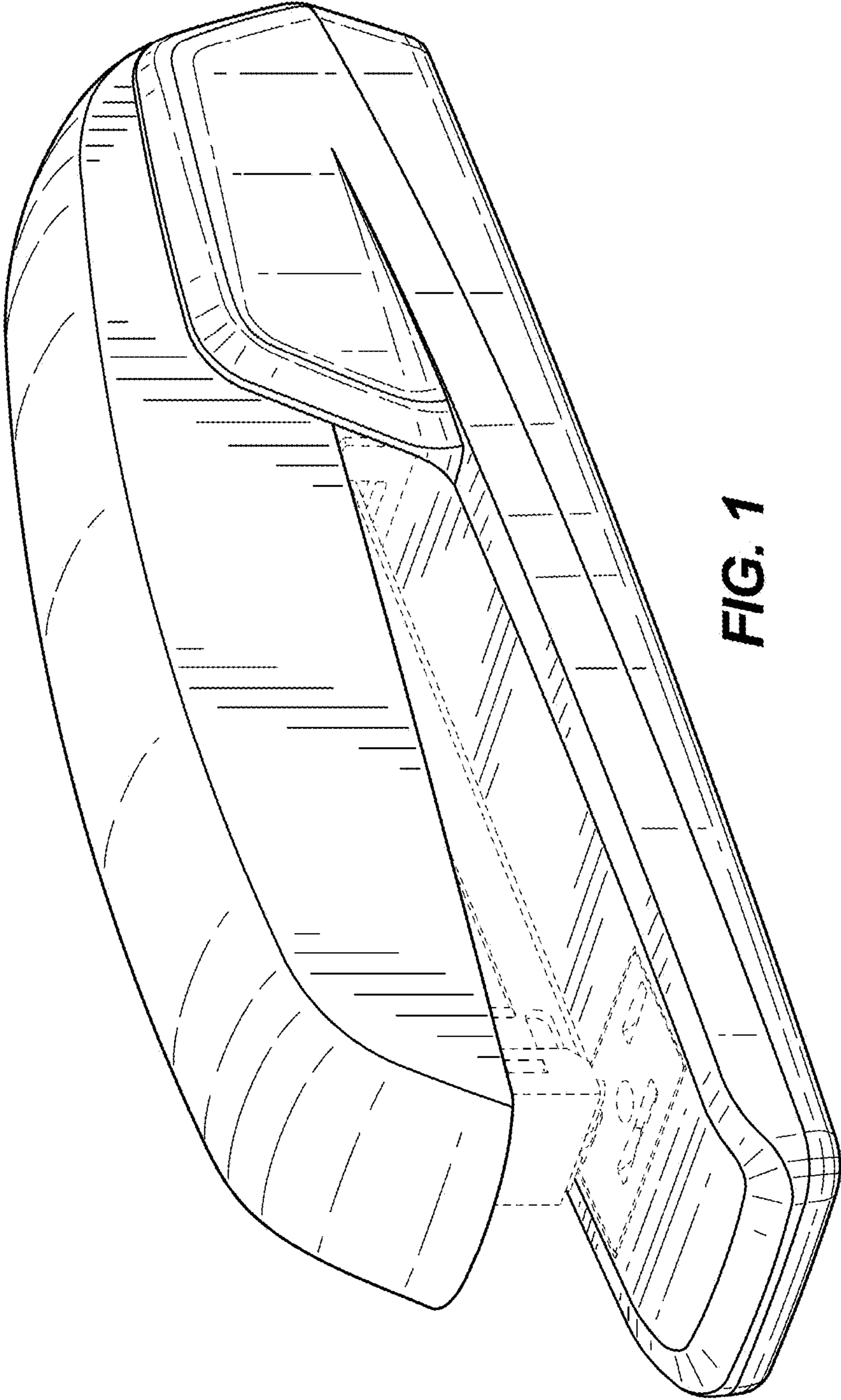
FOREIGN PATENT DOCUMENTS

DE 102017112204 A1 12/2018  
 EM 0002650380001 2/2005  
 EM 0015404280001 7/2009  
 EM 001661943-0001 1/2010  
 EM 0031314730001 5/2016  
 FR 973684 11/1997  
 WO 03057417 A1 7/2003

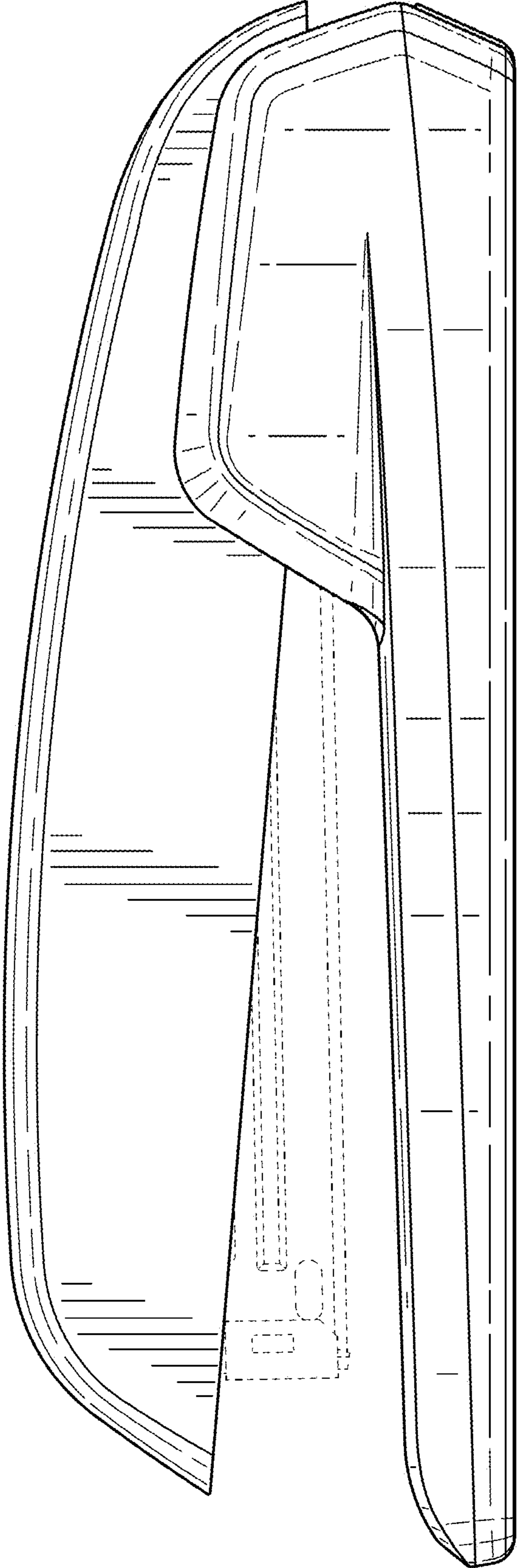
OTHER PUBLICATIONS

Swingline Stapler Value Pack Eco, Date Visited: Nov. 14, 2022, Amazon, Date Available: Apr. 18, 2006, <https://www.amazon.com/Swingline-Stapler-Antimicrobial-Capacity-S70754551H/dp/B00006IFKW> (Year: 2006).  
 ACCO Brands, "Swingline Stapling Products", Fact Book, 2003, pp. 98-111.  
 ACCO Brands, "Swingline Stapling Products", Fact Book, 2007, pp. 9-28.  
 ACCO Brands, "Swingline Stapling Products", Fact Book, 2008, pp. 7-26.  
 ACCO Brands, "Swingline Stapling Products", Fact Book, 2010, pp. 3-22.  
 ACCO Brands, "Swingline Stapling Products", Fact Book, 2012, pp. 2-19.  
 ACCO Brands, "Swingline Stapling Products", Fact Book, 2001, pp. 178-187.  
 ACCO Brands, "Swingline Stapling Products", Fact Book, 2013, pp. 2-19.  
 ACCO Brands, "Swingline Desktop Staplers", Fact Book, 2014, pp. 18-42.  
 ACCO Brands, "Swingline Stapling", Fact Book, 2005, pp. 96-116.  
 ACCO Brands, "Swingline Stapling Products", Fact Book, 2011, pp. 11-18.  
 ACCO Brands, "Swingline Stapling Products", Fact Book, 2017, pp. 12-23.  
 ACCO Brands Canada, "Swingline Stapling Products", Fact Book, 2018, pp. 19-28.  
 ACCO Brands, "Swingline", Fact Book, 2016, pp. 12-22.

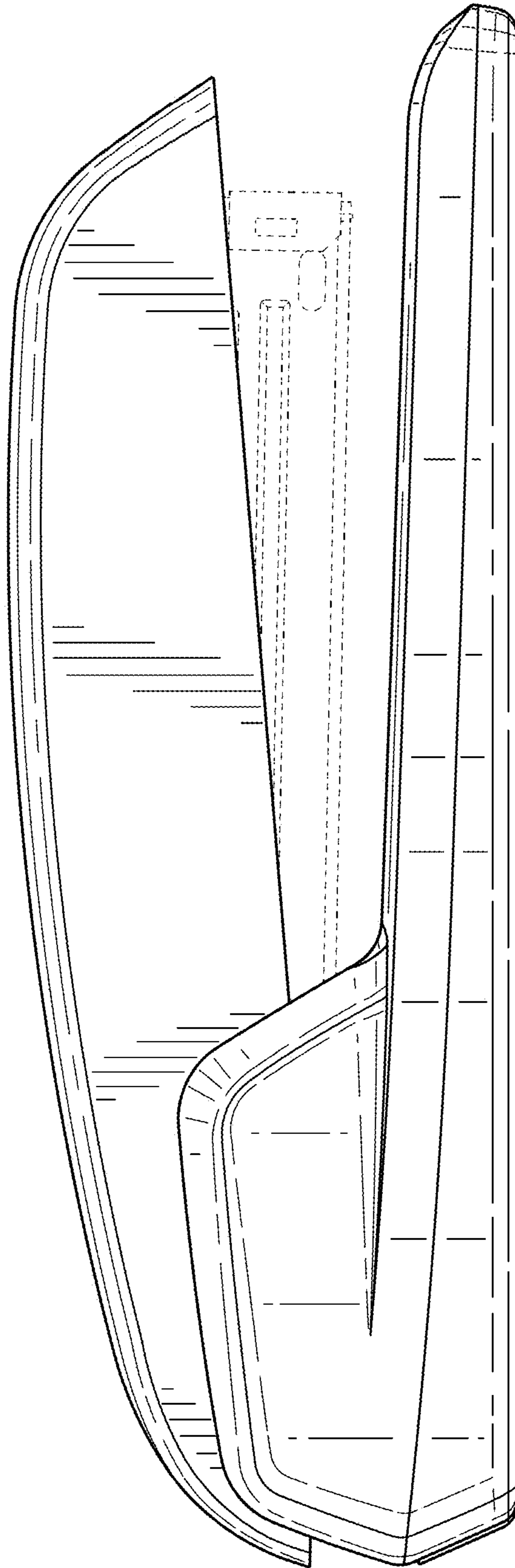
\* cited by examiner



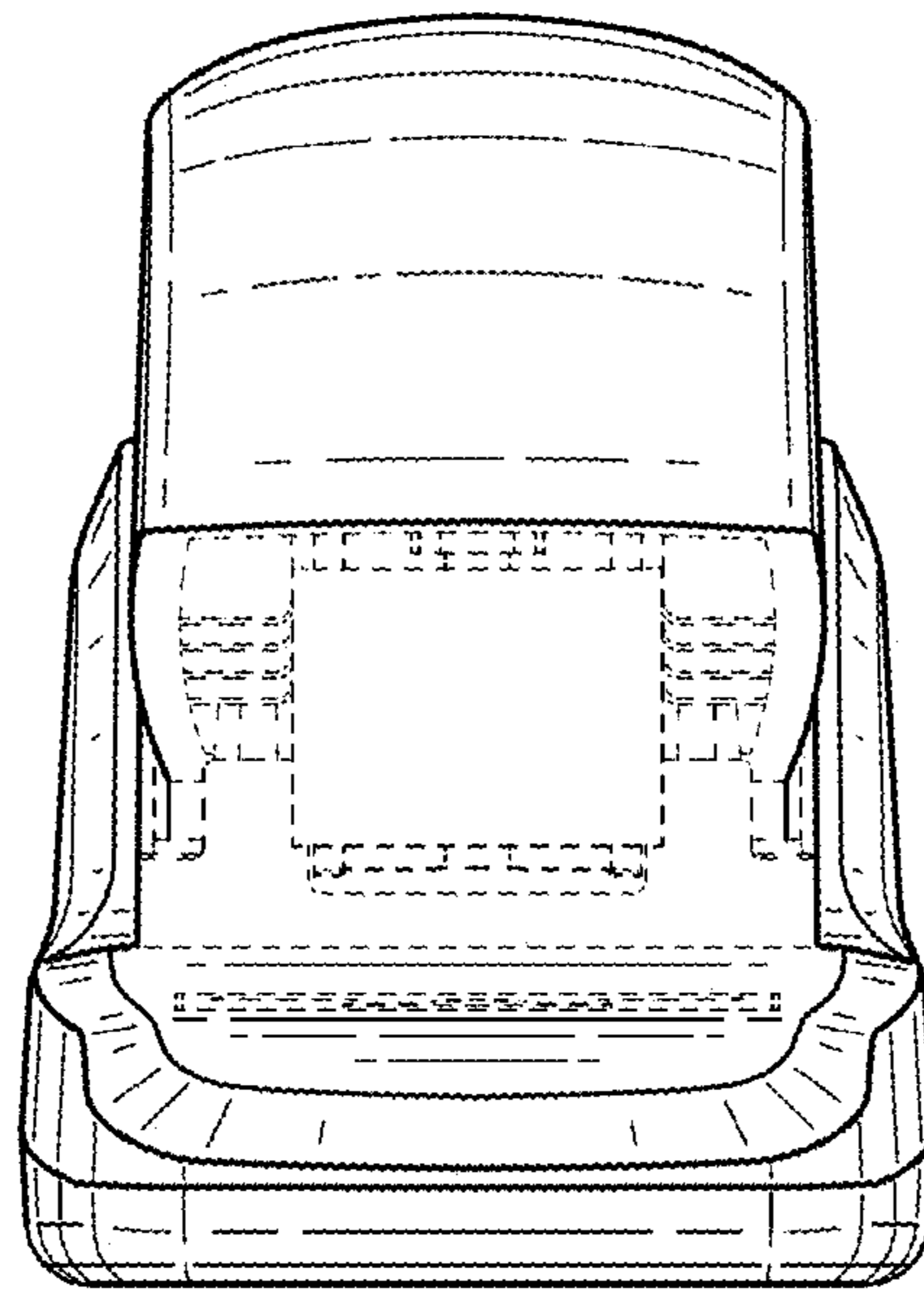
**FIG. 1**



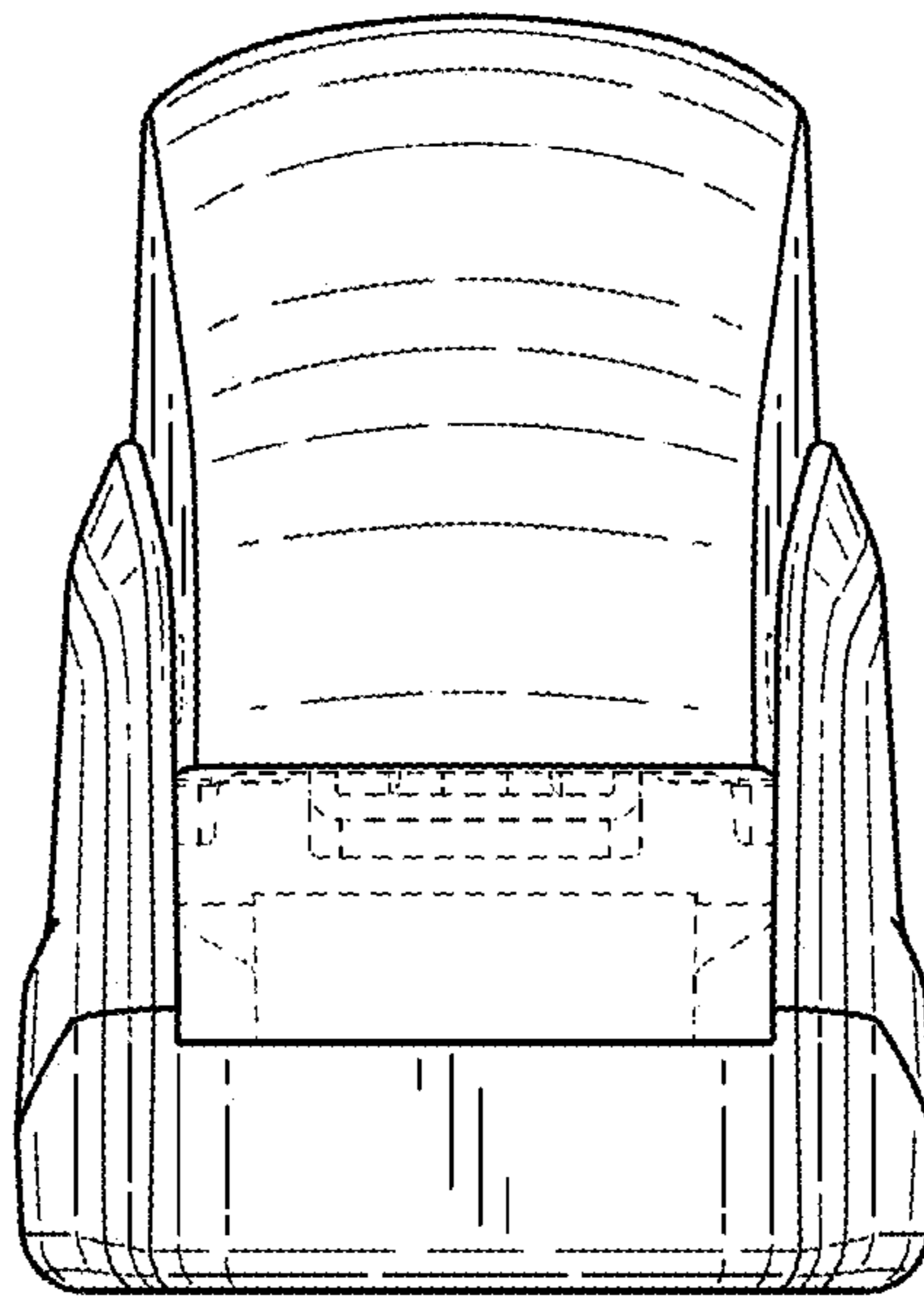
**FIG. 2**



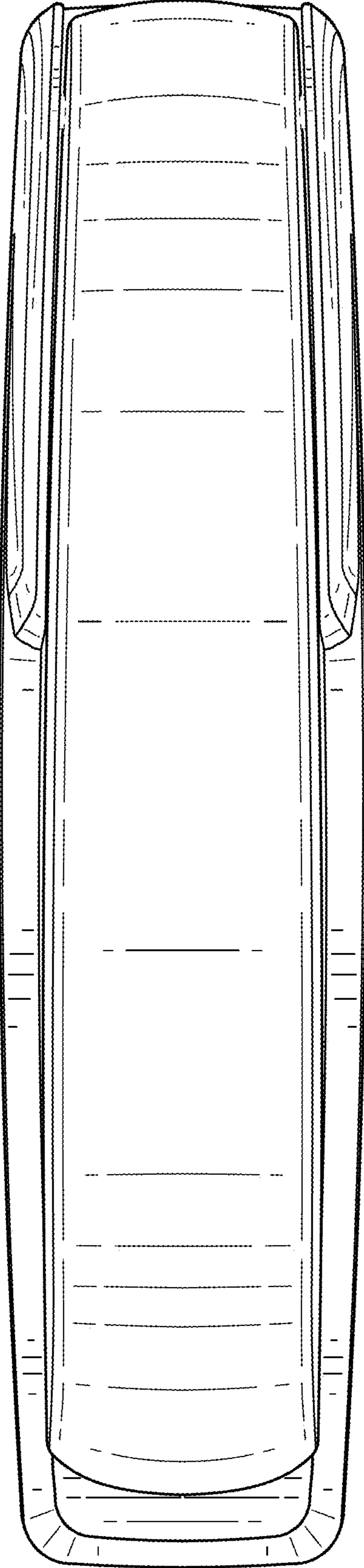
**FIG. 3**



**FIG. 4**



**FIG. 5**



**FIG. 6**