



US00D979361S

(12) **United States Design Patent** (10) **Patent No.:** **US D979,361 S**
Lowrey (45) **Date of Patent:** **** Feb. 28, 2023**

(54) **FENCE STRAINER**
(71) Applicant: **WIREMAN PTY LIMITED**, Milsons Point (AU)
(72) Inventor: **Ian Lowrey**, Surry Hills (AU)
(73) Assignee: **WIREMAN PTY LIMITED**
(**) Term: **15 Years**

(21) Appl. No.: **29/780,025**
(22) Filed: **Apr. 22, 2021**

(30) **Foreign Application Priority Data**

Oct. 22, 2020 (AU) 202015805
Oct. 22, 2020 (AU) 202015806

(51) **LOC (14) Cl.** **08-05**

(52) **U.S. Cl.**
USPC **D8/44**

(58) **Field of Classification Search**
USPC D8/14, 44, 51
CPC F16G 11/12; F16G 11/10; B25B 25/00
See application file for complete search history.

(56) **References Cited**

U.S. PATENT DOCUMENTS

836,591 A * 11/1906 Locke F16G 11/10
254/258
1,151,670 A * 8/1915 Donald F16G 11/12
254/254
1,271,294 A * 7/1918 Duigan F16G 11/12
254/246
1,497,566 A * 6/1924 Ironside F16G 11/12
254/259
3,341,177 A * 9/1967 Weise F16G 11/12
254/246
8,528,379 B2 * 9/2013 Williamson B25B 25/00
254/237

D875,493 S * 2/2020 Fox F16G 11/12
D8/44
D925,310 S * 7/2021 Lowrey F16G 11/10
D8/44
2004/0119059 A1 * 6/2004 Reiff E04H 17/10
256/42
2020/0056678 A1 * 2/2020 Fox F16G 11/12
2022/0040833 A1 * 2/2022 Lowrey E04H 17/268

* cited by examiner

Primary Examiner — Philip S Hyder
(74) *Attorney, Agent, or Firm* — Design IP

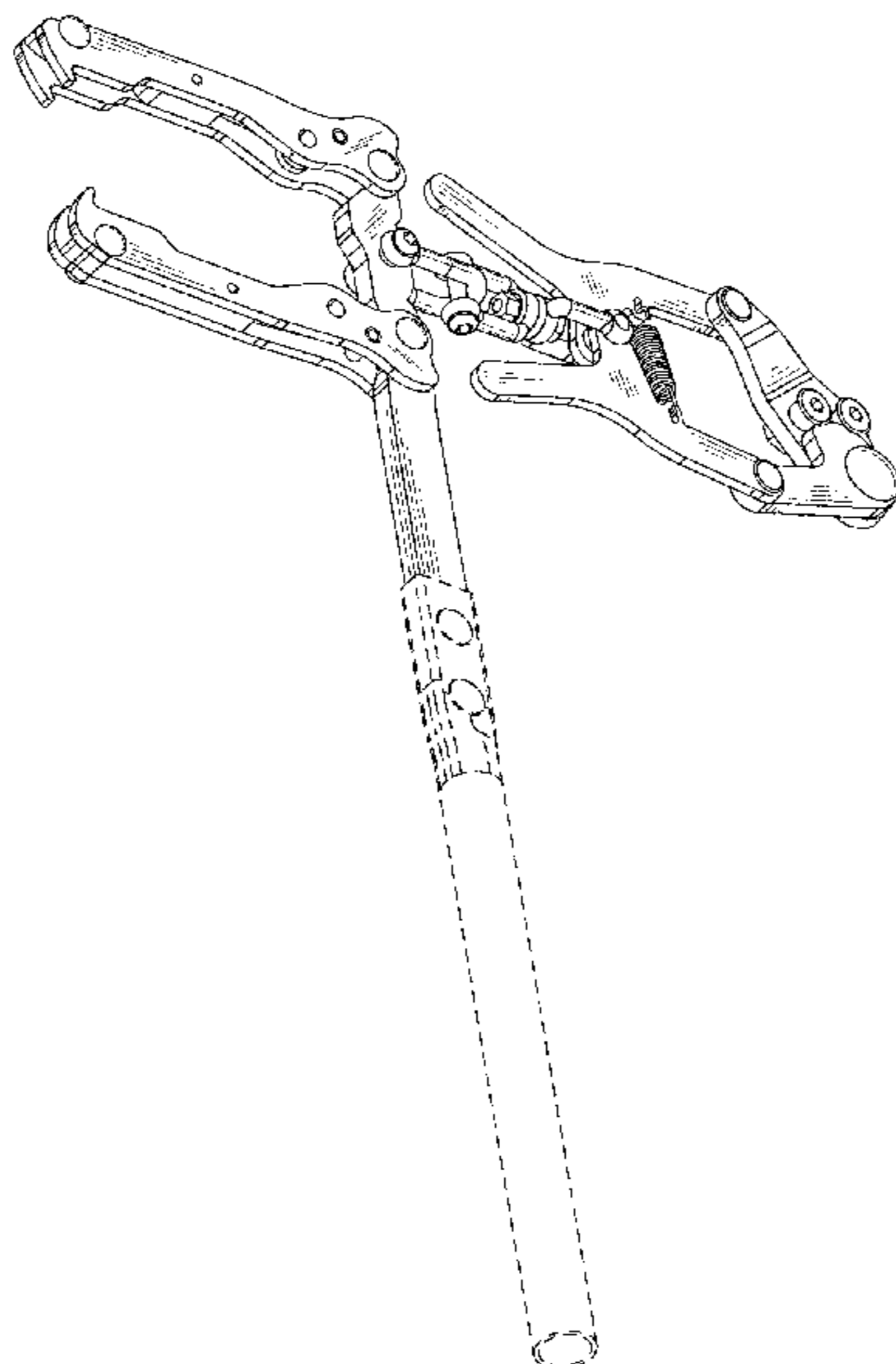
(57) **CLAIM**

The ornamental design for a fence strainer, as shown and described.

DESCRIPTION

FIG. 1 is a front left perspective view of a fence strainer showing a first embodiment of my new design;
FIG. 2 is a front perspective view thereof;
FIG. 3 is a front view thereof;
FIG. 4 is a rear view thereof;
FIG. 5 is a top view thereof;
FIG. 6 is a bottom view thereof;
FIG. 7 a left side view thereof;
FIG. 8 a right side view thereof;
FIG. 9 is a front left perspective view showing a second embodiment of my new design;
FIG. 10 is a front perspective view thereof;
FIG. 11 is a front view thereof;
FIG. 12 is a rear view thereof;
FIG. 13 is a top view thereof;
FIG. 14 is a bottom view thereof;
FIG. 15 a left side view thereof; and,
FIG. 16 is a right side view thereof.
The broken line showing of handle portions in FIGS. 1 through 16 of the fence strainer represent environmental subject matter and form no part of the claimed design.

1 Claim, 16 Drawing Sheets



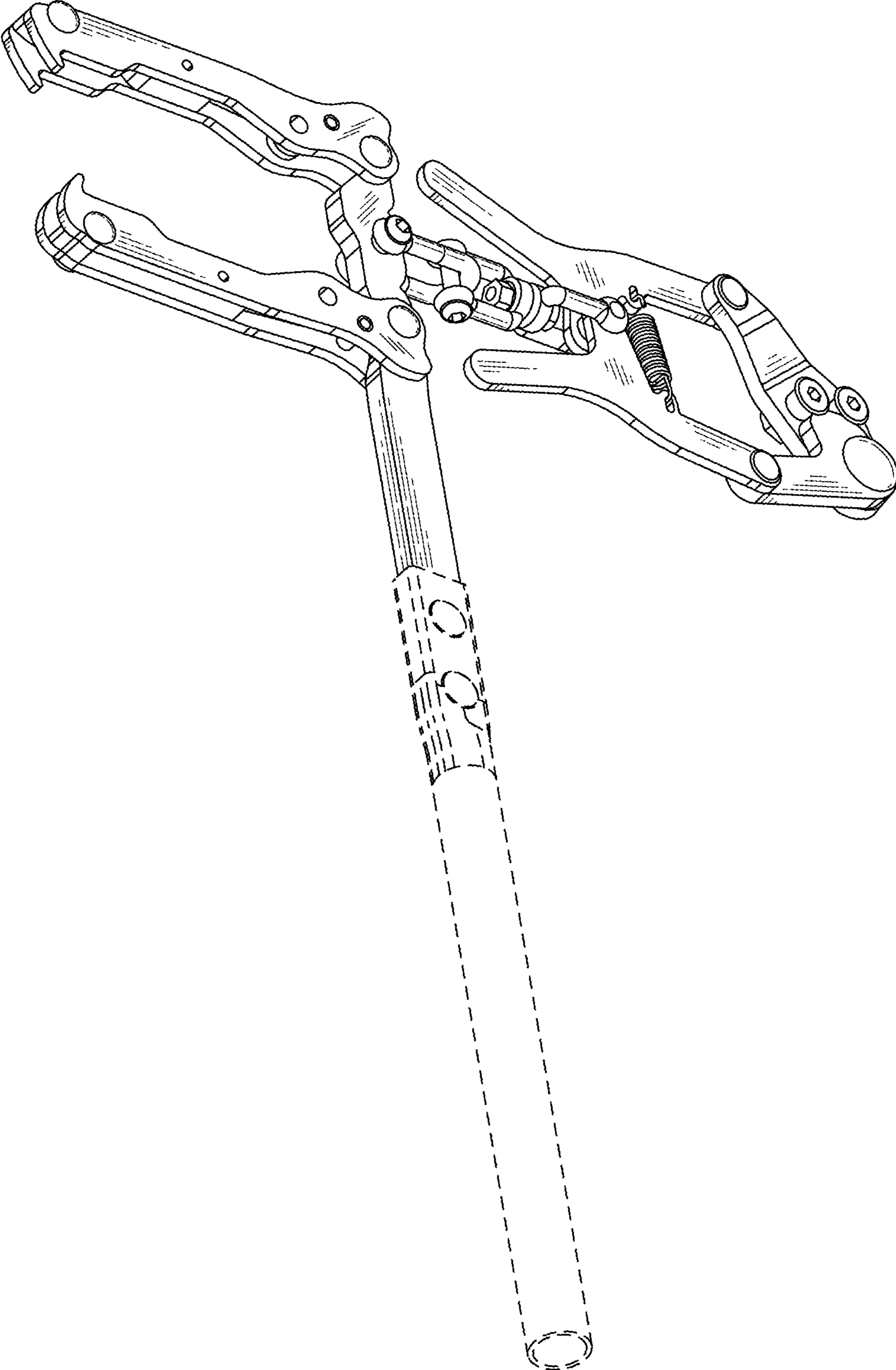


FIG. 1

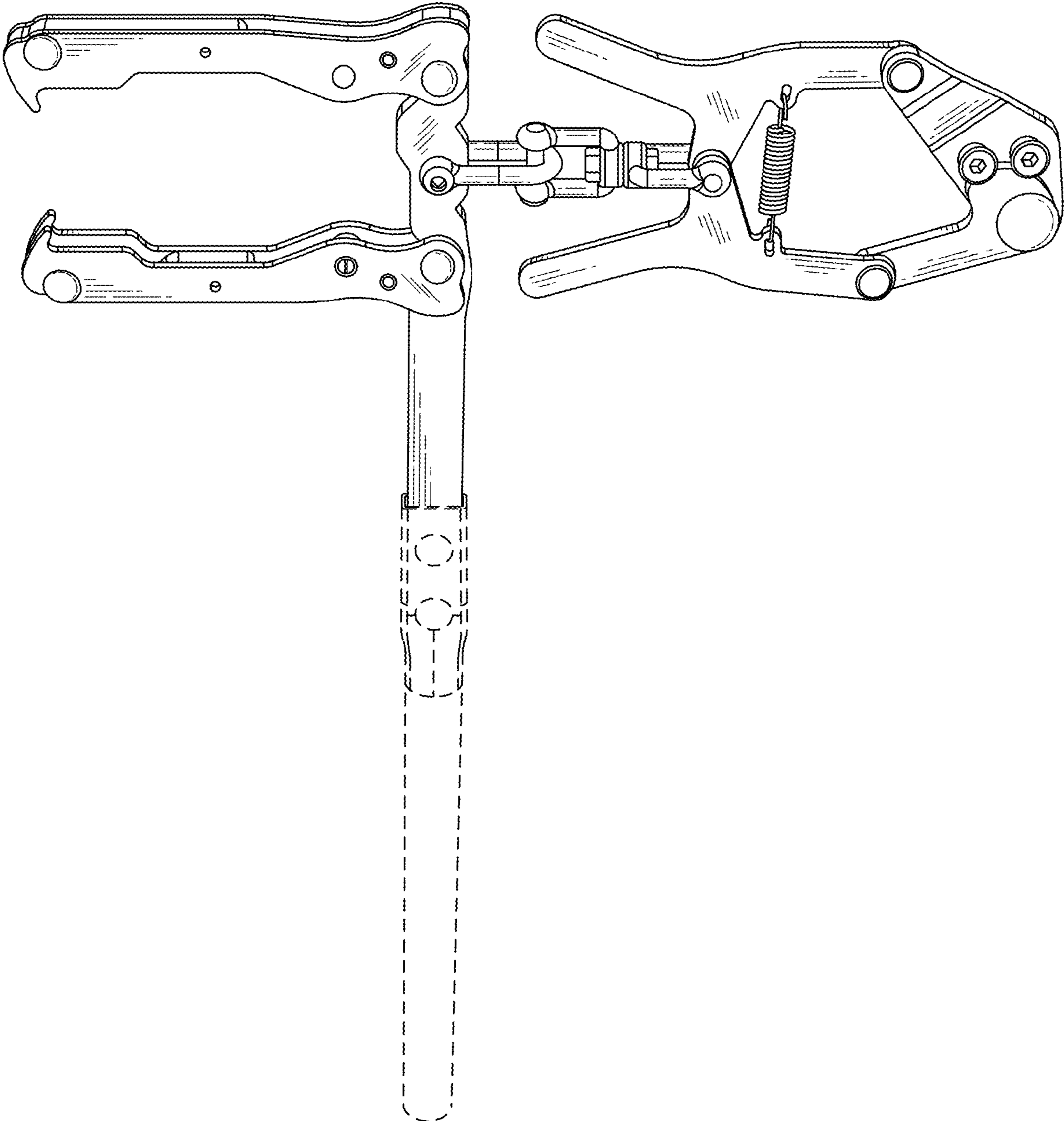


FIG. 2

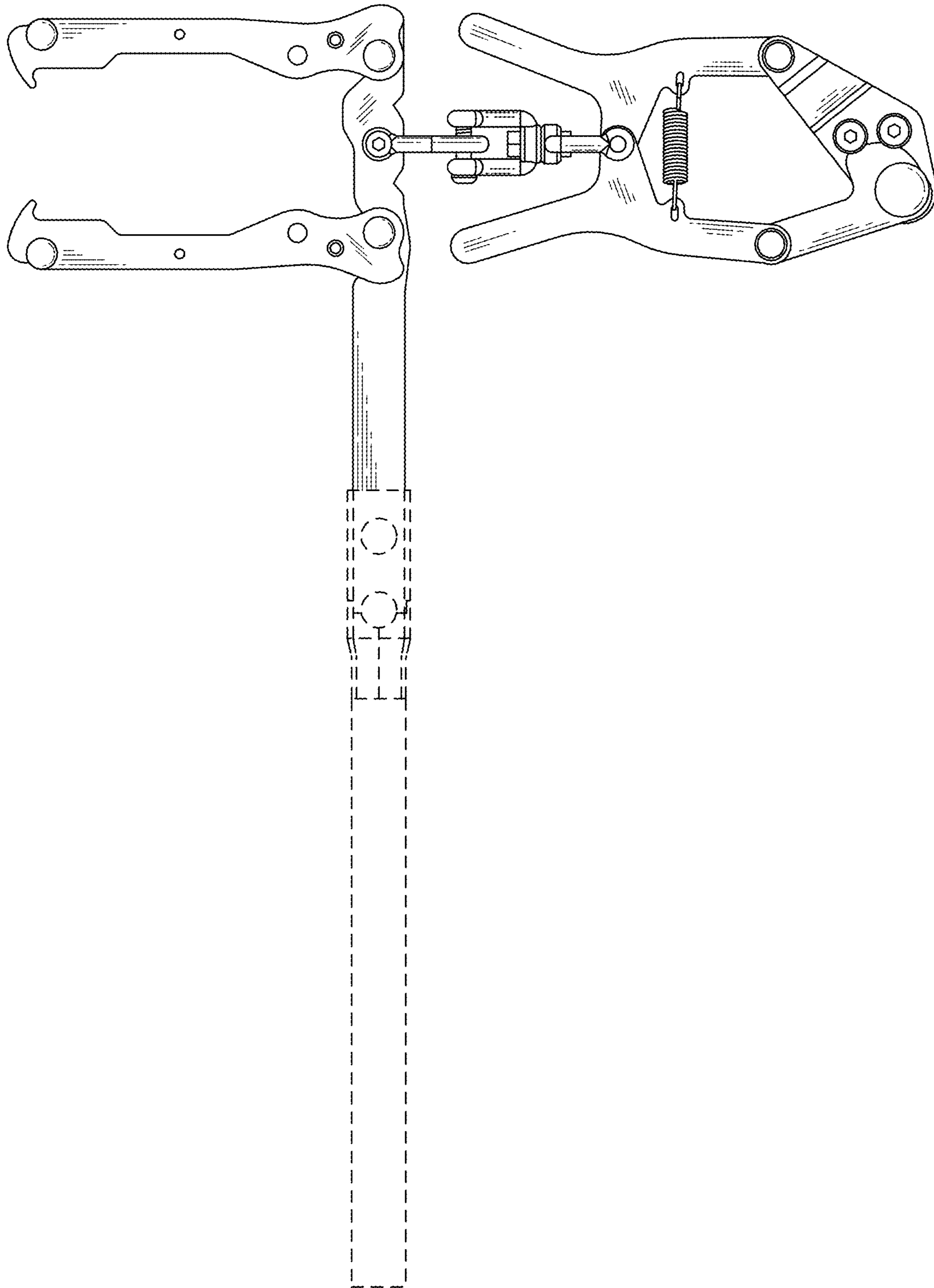


FIG. 3

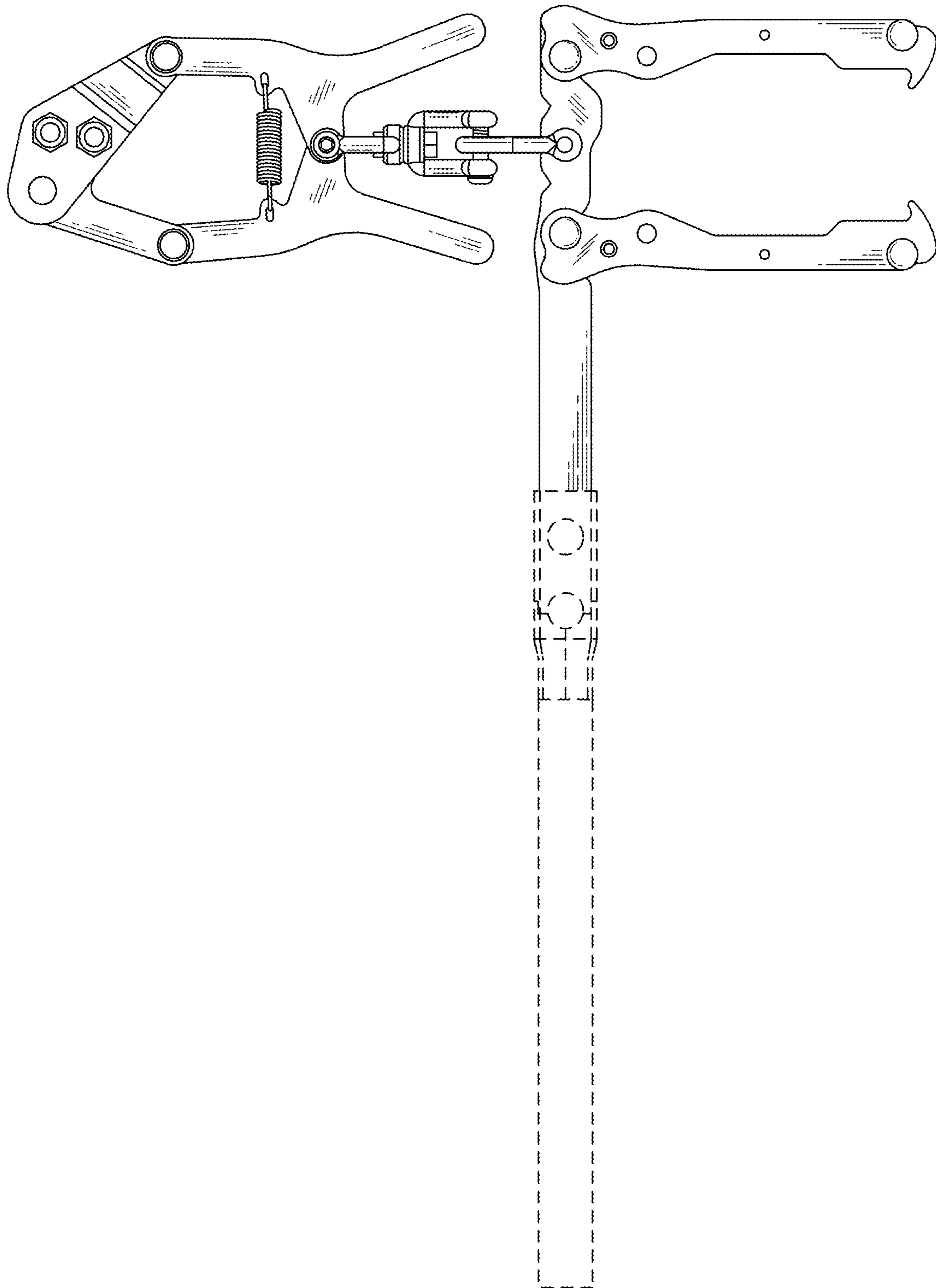


FIG. 4

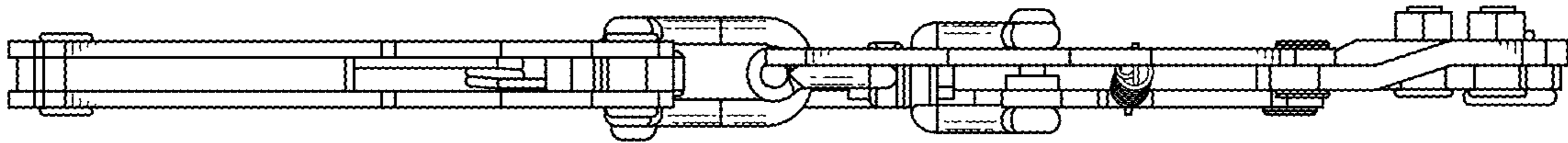


FIG. 5

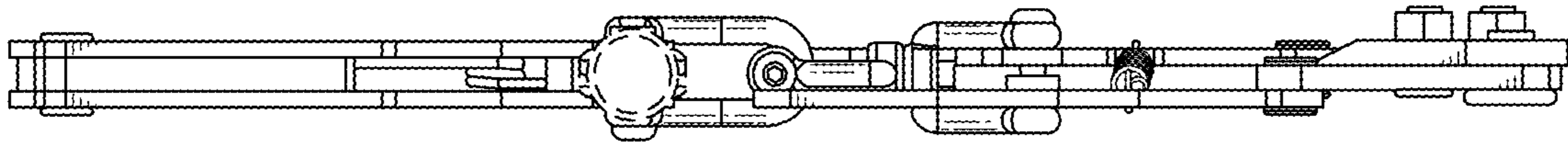


FIG. 6



FIG. 7



FIG. 8

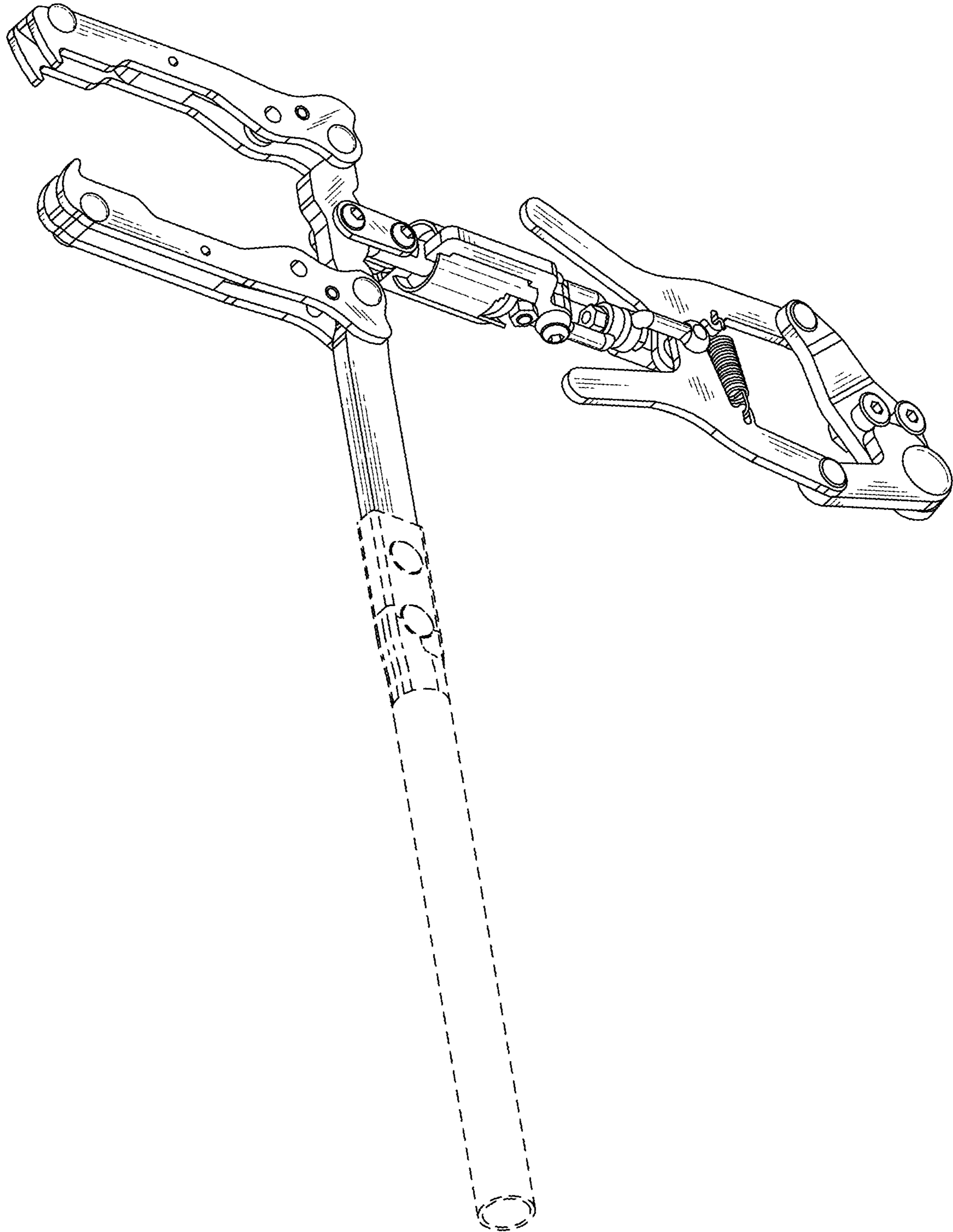


FIG. 9

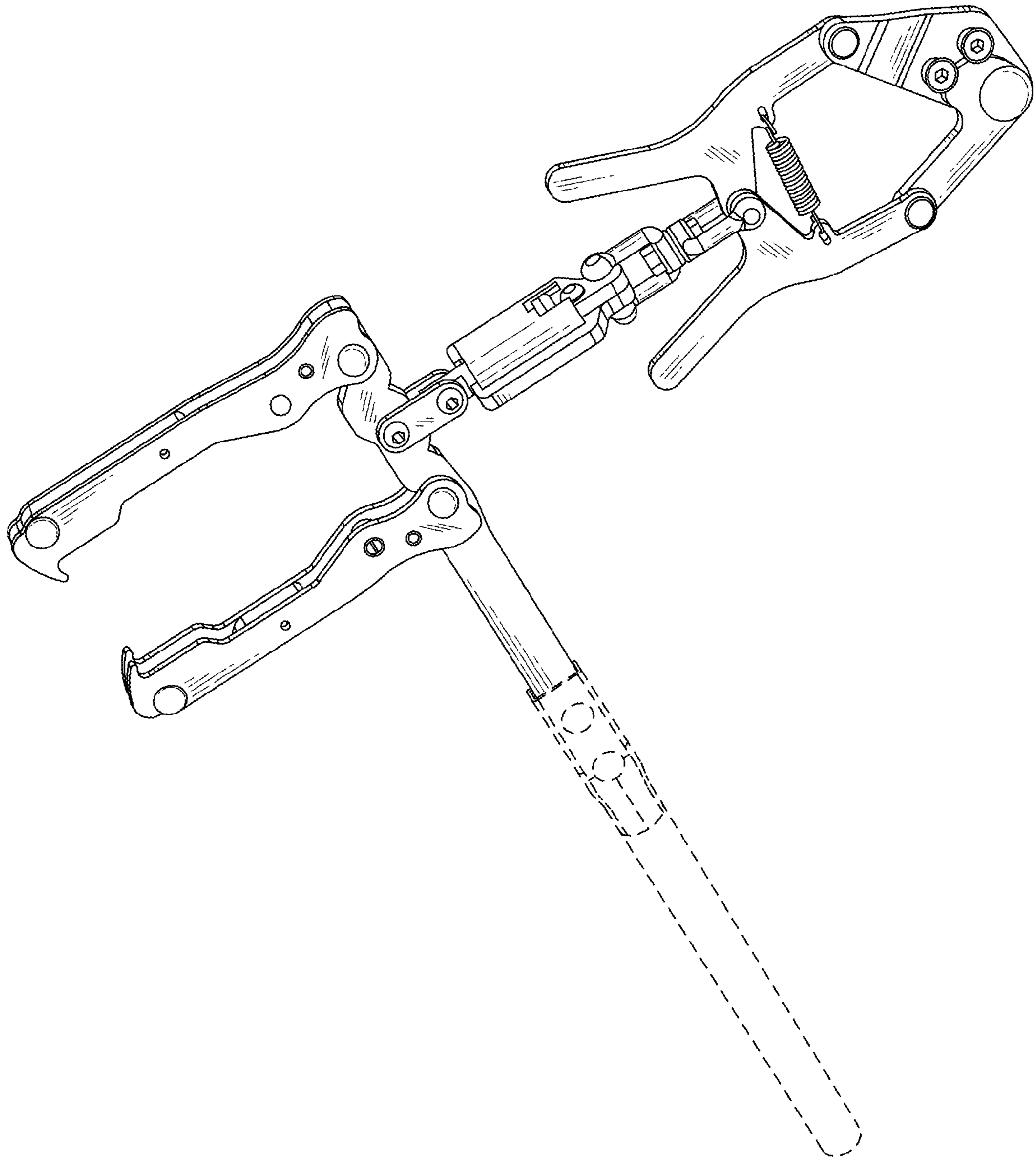


FIG. 10

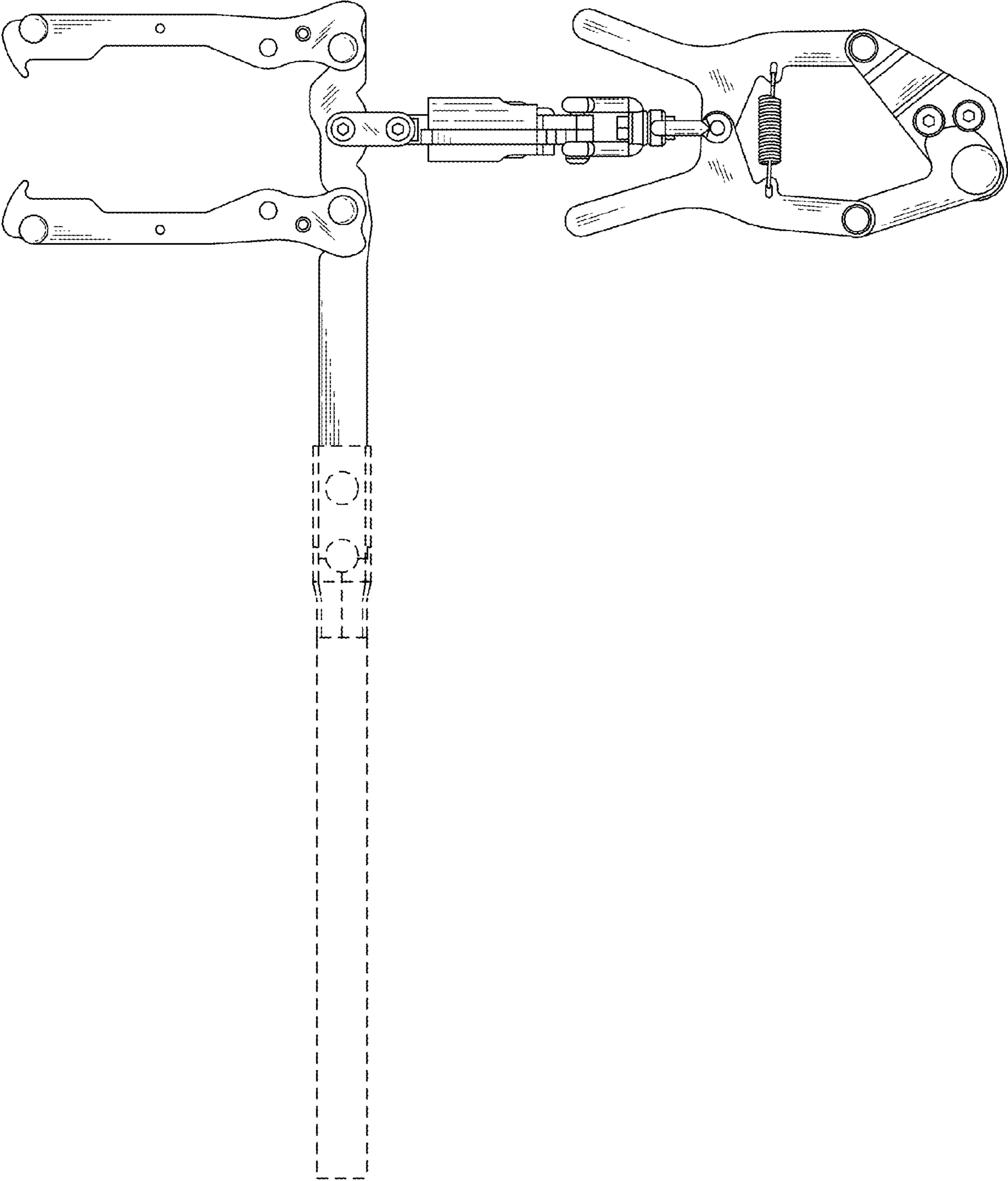


FIG. 11

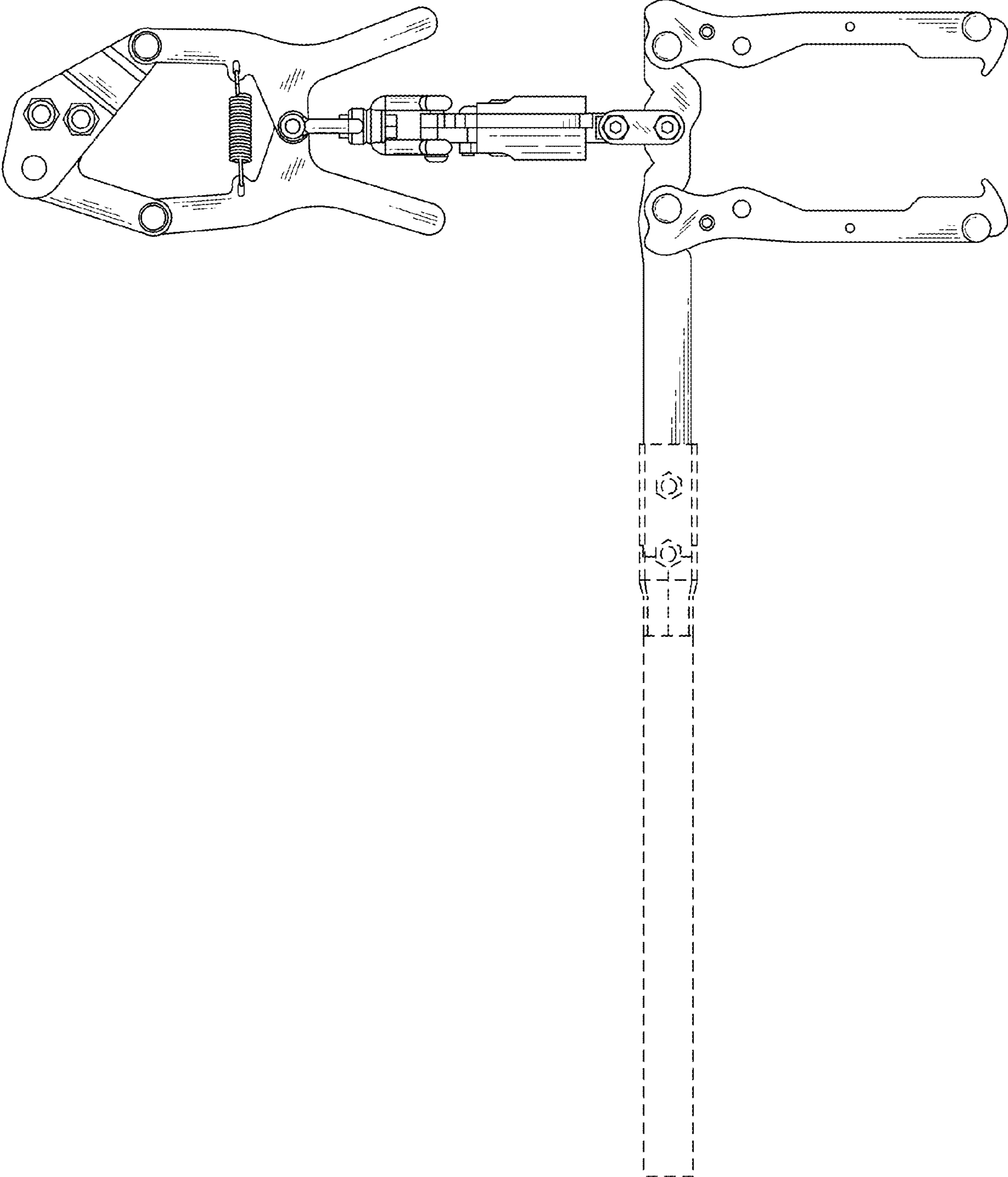


FIG. 12

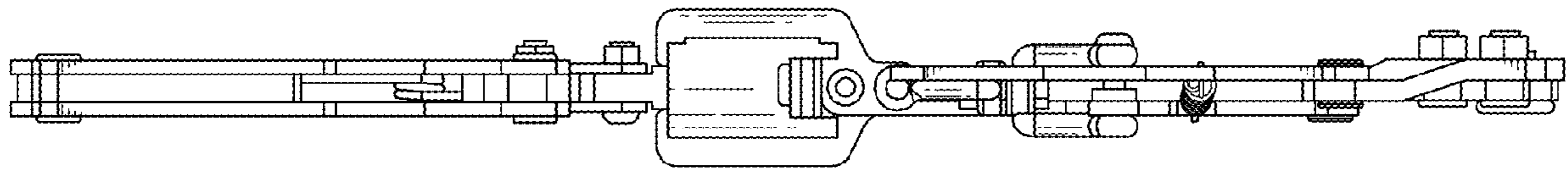


FIG. 13

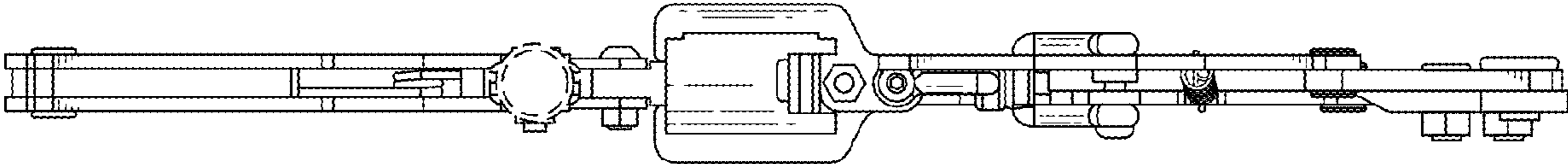


FIG. 14

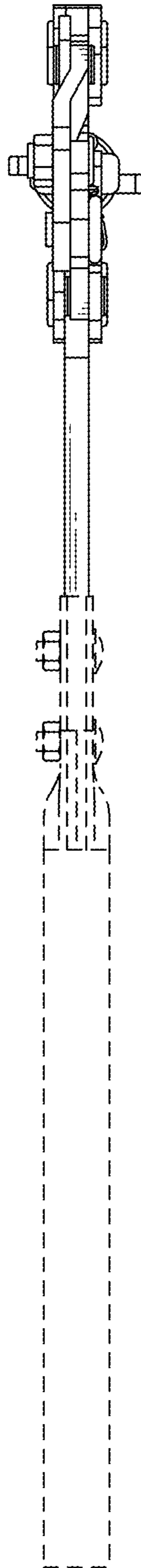


FIG. 15



FIG. 16