



US00D979360S

(12) **United States Design Patent** (10) **Patent No.:** **US D979,360 S**  
**Sheiner** (45) **Date of Patent:** **\*\* Feb. 28, 2023**

(54) **POLLEN SCOOPER WITH COLLECTION NOTCH**

(71) Applicant: **Sheiner Engineering & Design, LLC**, Newark, NJ (US)

(72) Inventor: **Brandon Michael Sheiner**, Newark, NJ (US)

(\*\*) Term: **15 Years**

(21) Appl. No.: **29/702,608**

(22) Filed: **Aug. 20, 2019**

**Related U.S. Application Data**

(62) Division of application No. 29/559,259, filed on Mar. 25, 2016, now Pat. No. Des. 861,443.

(51) **LOC (14) Cl.** ..... **08-05**

(52) **U.S. Cl.**  
USPC ..... **D8/16**

(58) **Field of Classification Search**  
USPC ..... D8/16, 18, 19, 33, 45, 47, 90, 93, 366, D8/371; D4/118, 119; D32/40, 41, 42, D32/46, 47, 48, 49  
CPC ..... A01H 1/025; A01H 1/02; A01H 1/00  
See application file for complete search history.

(56) **References Cited**

**U.S. PATENT DOCUMENTS**

- 4,554,761 A \* 11/1985 Tell ..... A01H 1/025 47/1.41
- D302,880 S \* 8/1989 Terry ..... D32/46
- D310,743 S \* 9/1990 Riddle ..... D3/210
- D311,981 S \* 11/1990 Kabbaby ..... D32/46
- D379,256 S \* 5/1997 Tipp ..... D32/46
- D381,149 S \* 7/1997 Mayo ..... D32/49
- D478,699 S \* 8/2003 Henriksson ..... D32/49
- D527,855 S \* 9/2006 Williams ..... D32/49
- D566,274 S \* 4/2008 Lee ..... D24/147
- D578,717 S \* 10/2008 Trueheart ..... D32/40
- D617,967 S \* 6/2010 Lambert ..... D32/46

(Continued)

**OTHER PUBLICATIONS**

Herb Grinder With Pollen Catcher New Larger Size by Sharp Shredda Grinders Company, <https://jerri1962sblog.weebly.com/my-reviews/herb-grinder-with-pollen-catcher-new-larger-size-by-sharp-shredda-grinders-company> (last accessed Oct. 8, 2018).

(Continued)

*Primary Examiner* — Eliza Z Harvey

(74) *Attorney, Agent, or Firm* — Michael J. Tsimaras

(57) **CLAIM**

The ornamental design of a pollen scooper with collection notch, as shown and described.

**DESCRIPTION**

FIG. 1 illustrates a front, side perspective view of a pollen scooper with collection notch in accordance with the present disclosure;

FIG. 2 illustrates a front view of the pollen scooper with collection notch shown in FIG. 1;

FIG. 3 illustrates a rear view of the pollen scooper with collection notch shown in FIG. 1;

FIG. 4 illustrates a left side view of the pollen scooper with collection notch shown in FIG. 1. The right side view is a mirror image of the left side shown in FIG. 4;

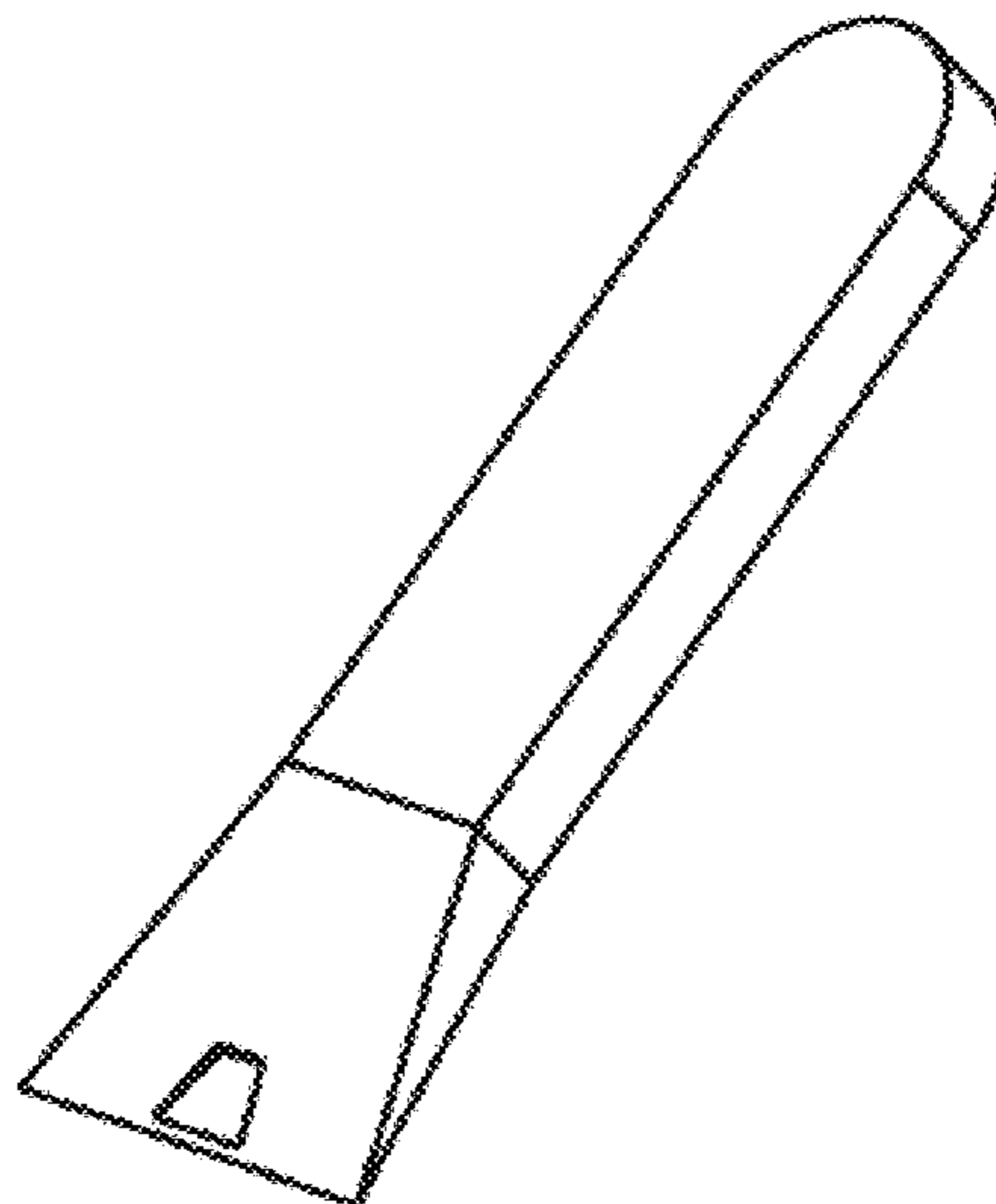
FIG. 5 illustrates a front, side perspective view of a pollen scooper with collection notch in accordance with the present disclosure;

FIG. 6 illustrates a front view of the pollen scooper with collection notch shown in FIG. 5;

FIG. 7 illustrates a rear view of the pollen scooper with collection notch shown in FIG. 5; and,

FIG. 8 illustrates a left side view of the pollen scooper with collection notch shown in FIG. 5. The right side view is a mirror image of the left side shown in FIG. 8.

**1 Claim, 4 Drawing Sheets**



(56)

**References Cited**

U.S. PATENT DOCUMENTS

D687,202 S \* 7/2013 Molsenbocker ..... D32/46  
D809,235 S \* 1/2018 Henke ..... D32/48

OTHER PUBLICATIONS

Black Tie Grinder—2.5 Inch Herb Grinder, The Best Rated Herb Grinder with Carry Bag, 4-piece Anodized Aluminum; [https://www.amazon.com/gp/product/B00RIGPI7E/ref=as\\_li\\_tl?ie=UTF8&camp=1789&creative=390957&creativeASIN=B00RIGPI7E&linkCode=as2&tag=mmjgrinder-20&linkId=FNUBCZYWJAMCXSM4](https://www.amazon.com/gp/product/B00RIGPI7E/ref=as_li_tl?ie=UTF8&camp=1789&creative=390957&creativeASIN=B00RIGPI7E&linkCode=as2&tag=mmjgrinder-20&linkId=FNUBCZYWJAMCXSM4) (last accessed Oct. 8, 2018).

Marijuana Grinders; <http://marijuanagrinder.com/> (last accessed Oct. 8, 2018).

\* cited by examiner

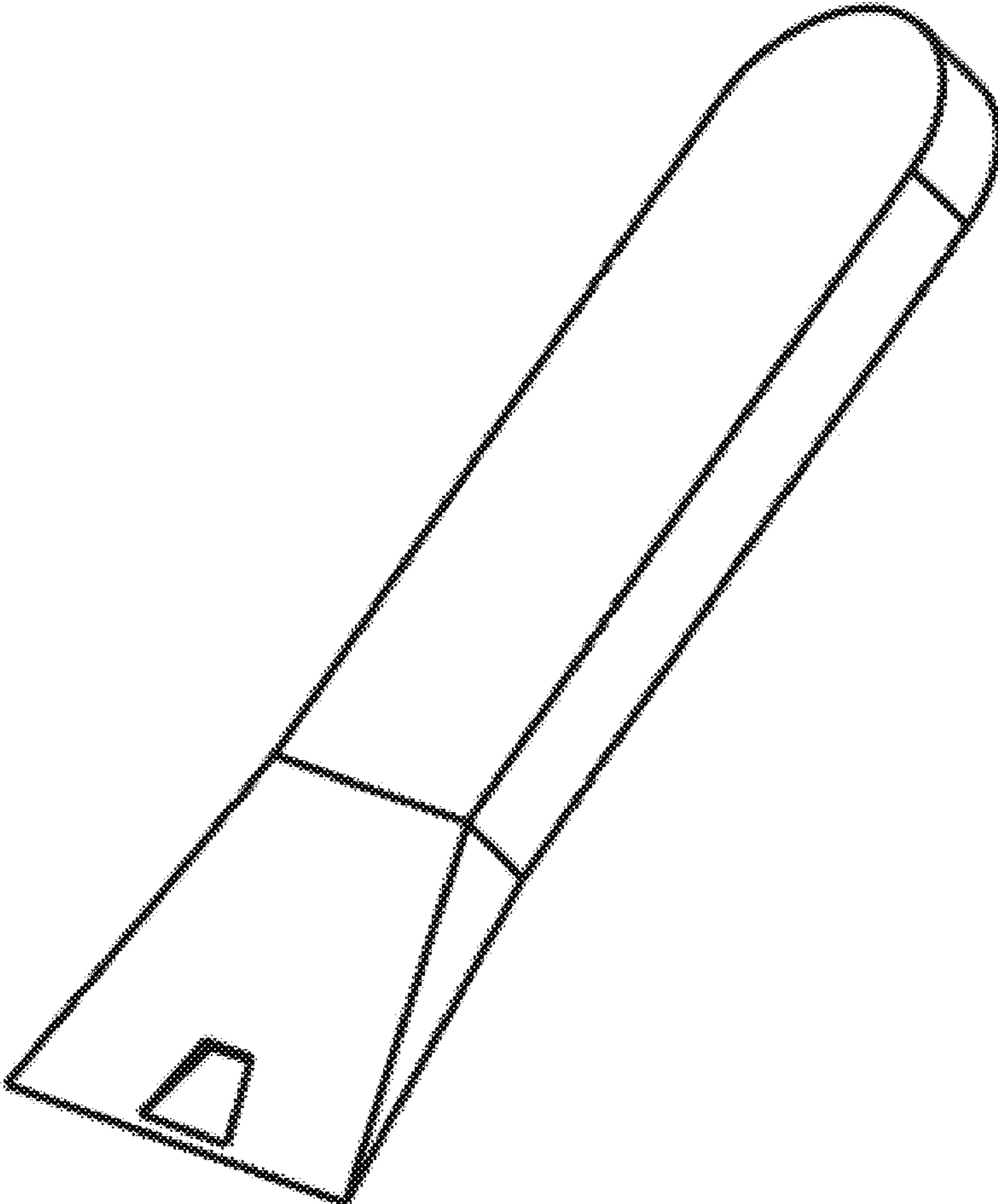


FIG. 1

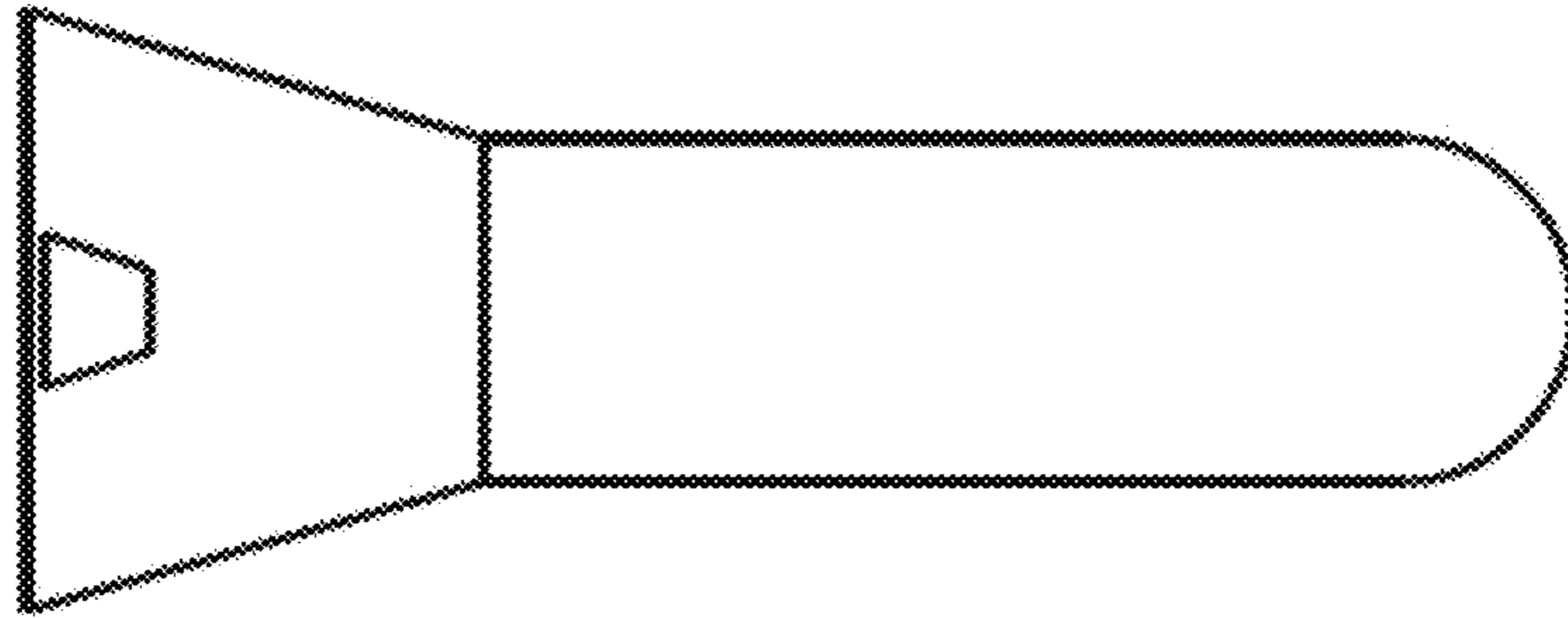


FIG. 2

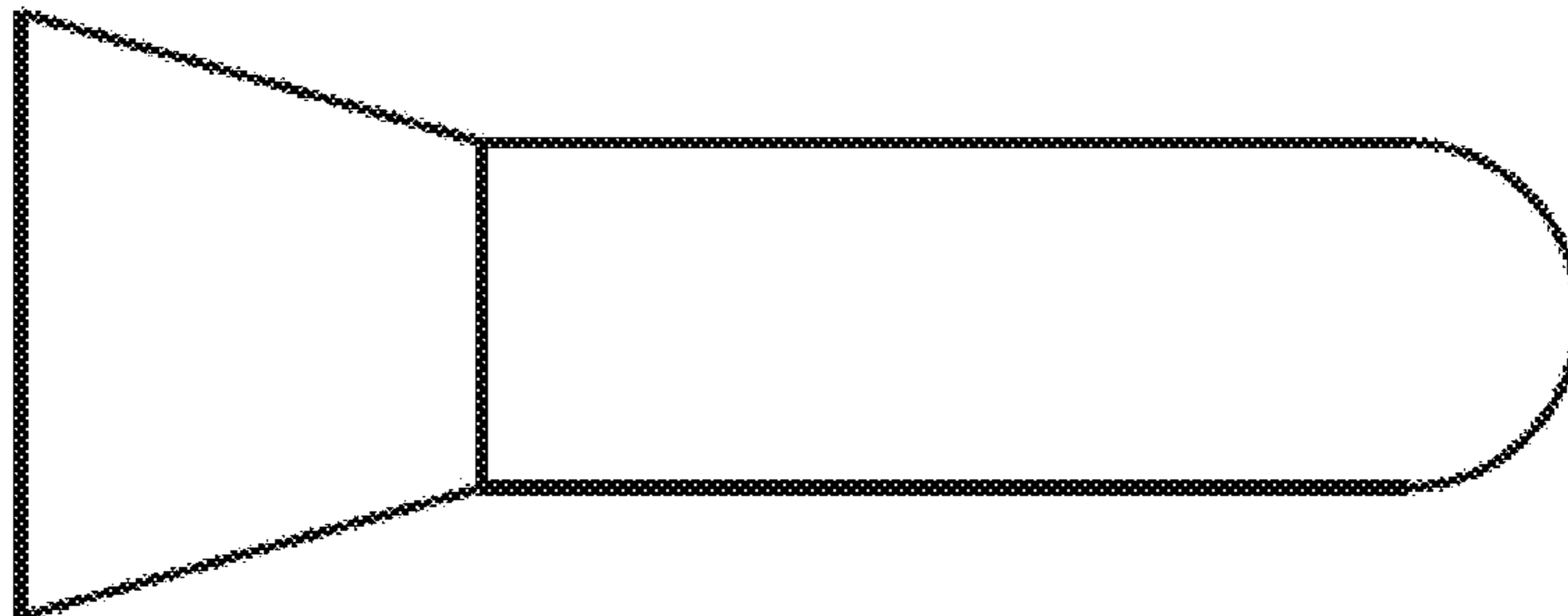


FIG. 3



FIG. 4

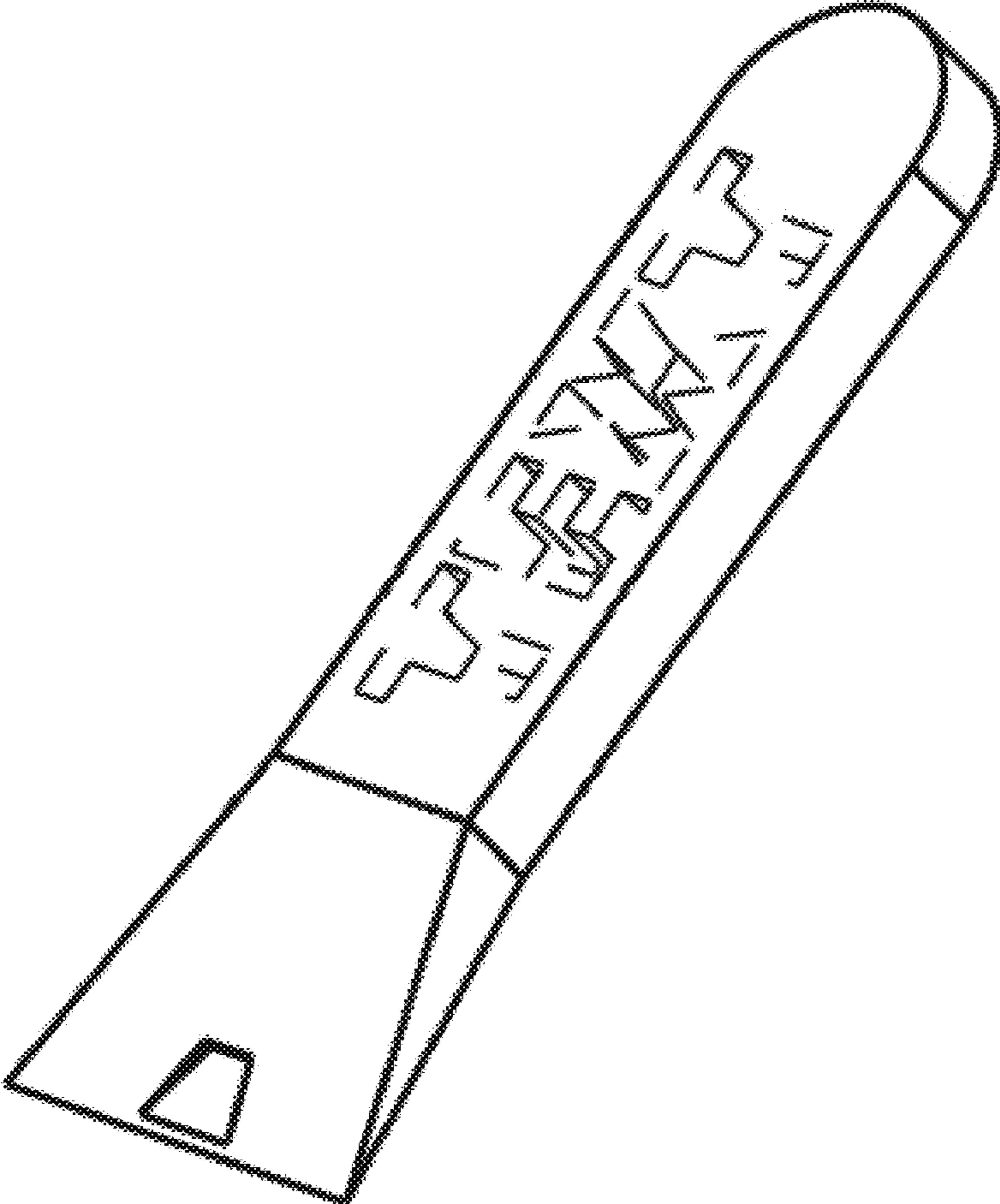


FIG. 5

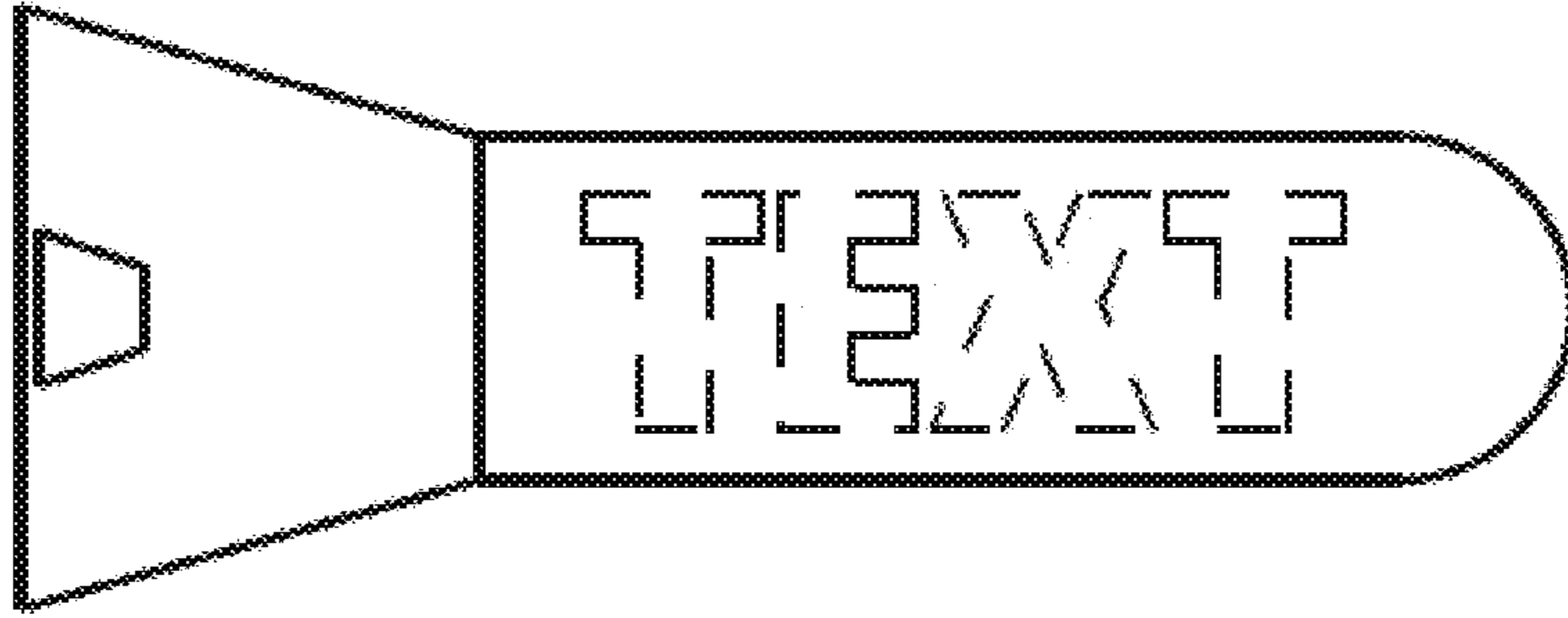


FIG. 6

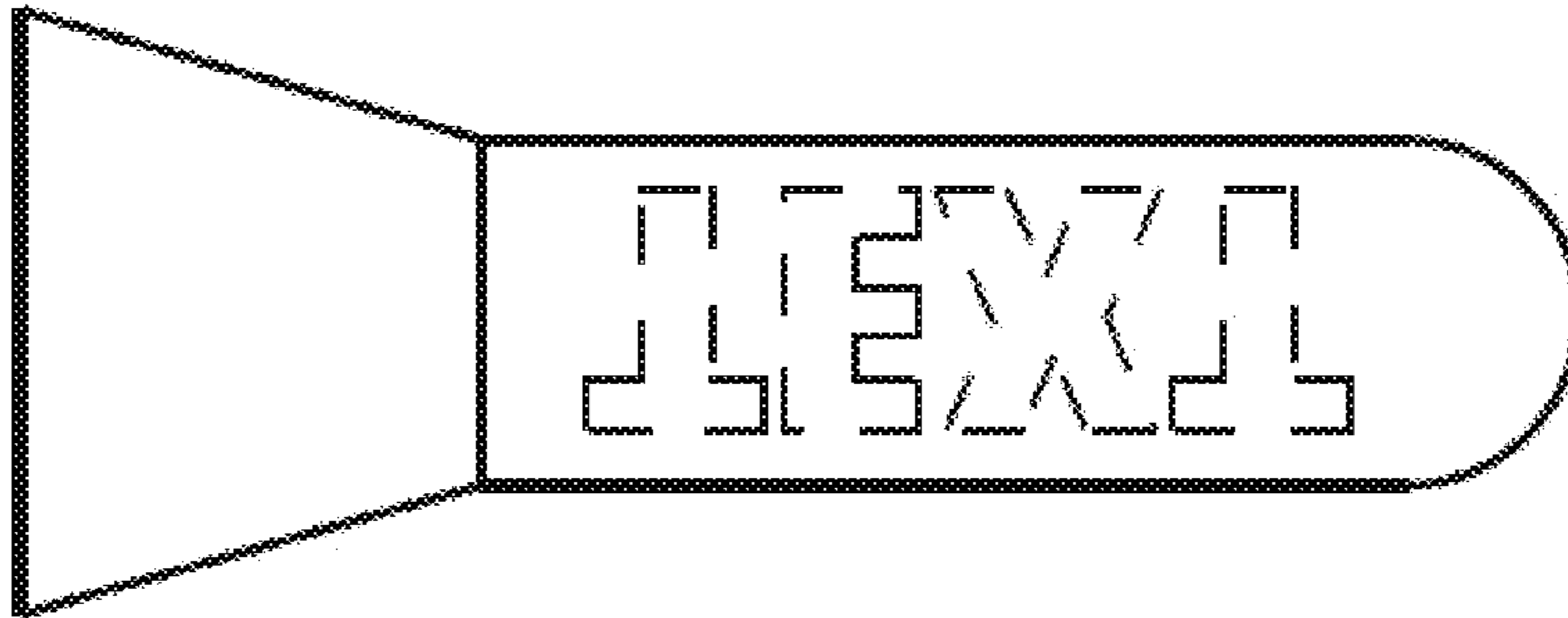


FIG. 7



FIG. 8