

US00D979358S

(12) **United States Design Patent** (10) **Patent No.:** **US D979,358 S**  
**Zhang** (45) **Date of Patent:** **\*\* Feb. 28, 2023**

(54) **GARDEN WEEDER**

(71) Applicant: **Zhejiang Dongyuan Tools Co., Ltd.**,  
Dongyang (CN)

(72) Inventor: **Chao Zhang**, Dongyang (CN)

(73) Assignee: **Zhejiang Dongyuan Tools Co., Ltd.**,  
Dongyang (CN)

(\*\*) Term: **15 Years**

(21) Appl. No.: **29/849,980**

(22) Filed: **Aug. 16, 2022**

(51) **LOC (14) Cl.** ..... **08-01**

(52) **U.S. Cl.**  
USPC ..... **D8/4**

(58) **Field of Classification Search**  
USPC ..... D8/1, 4, 7, 9, 12, 13, 14, 107  
CPC .. A01D 1/06; A01D 11/06; A01B 1/16; A01B  
1/08

See application file for complete search history.

(56) **References Cited**

**U.S. PATENT DOCUMENTS**

287,677	A *	10/1883	Higinbotham .....	A01B 1/18 294/50.5
2,885,240	A *	5/1959	Andrews .....	A01B 1/16 294/50.8
D518,339	S	4/2006	Campbell et al.	
D528,878	S *	9/2006	Laramee .....	D8/7
D703,496	S *	4/2014	Arcati .....	D8/1
D957,216	S *	7/2022	Poutiainen .....	D8/1
2003/0037715	A1 *	2/2003	Santa Cruz .....	A01B 1/165 111/7.1
2006/0037301	A1 *	2/2006	Gray .....	A01B 1/18 56/400.04

**OTHER PUBLICATIONS**

Garant GDW36NS Weeder; Garant; Amazon.ca; Apr. 13, 2019; Accessed Nov. 25, 2022; URL:< <https://www.amazon.ca/dp/B07QPHBDK7> > (Year: 2019).\*

Colwelt Stand Up Weeder and Weed Puller, Stand Up Weed Puller Tool with Foot Pedal, Step and Twist Manual Weeder 40 Inch(Combo Pack—Stand Up Weeder & Hand Weeder& Garden Gloves); Colwelt; Amazon.ca; Oct. 1, 2020; Accessed Nov. 25, 2022; URL:< <https://www.amazon.ca/dp/B0886281N3> > (Year: 2020).\*

Garden Weasel 95204 WeedPopper Step & Twist, Easy Weed Removal, No Chemicals, Easy Cleanup, Weather and Rust Resistant, Lifetime Warranty; Garden Weasel; Amazon.ca; Jul. 2, 2020; Accessed Nov. 25, 2022; URL:< <https://www.amazon.ca/dp/B08C2KC7FQ> > (Year: 2020).\*

\* cited by examiner

*Primary Examiner* — Susan Bennett Hattan  
*Assistant Examiner* — Benjamin D. Wannemacher

(74) *Attorney, Agent, or Firm* — Nitin Kaushik

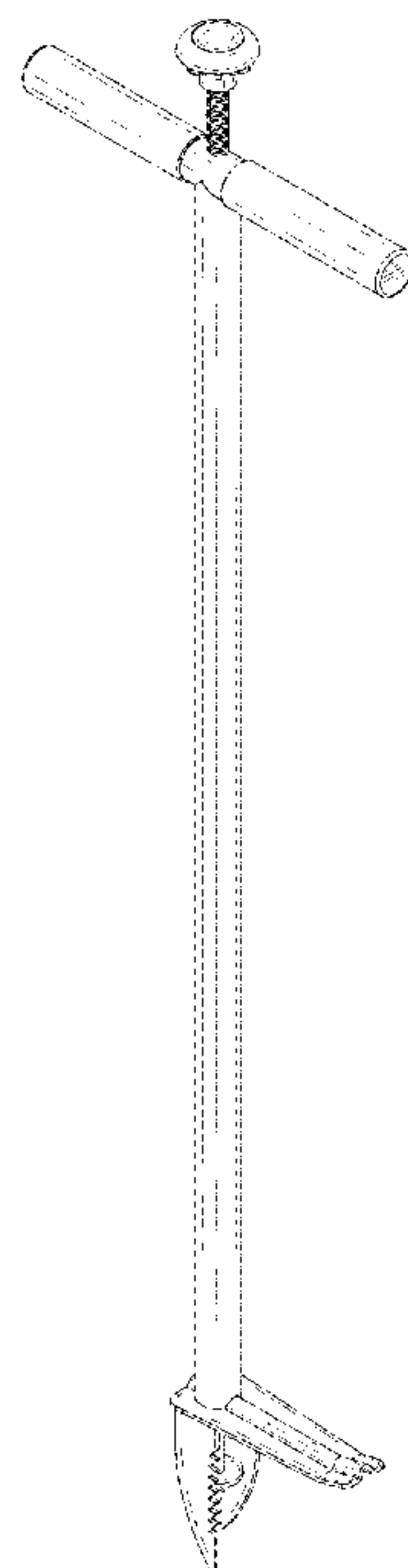
(57) **CLAIM**

The ornamental design for a garden weeder, as shown and described.

**DESCRIPTION**

FIG. 1 is a front perspective view of a garden weeder, showing my new design;  
FIG. 2 is a front view thereof;  
FIG. 3 is a rear view thereof;  
FIG. 4 is a left side view thereof;  
FIG. 5 is a right side view thereof;  
FIG. 6 is a top view thereof; and,  
FIG. 7 is a bottom view thereof.

**1 Claim, 7 Drawing Sheets**



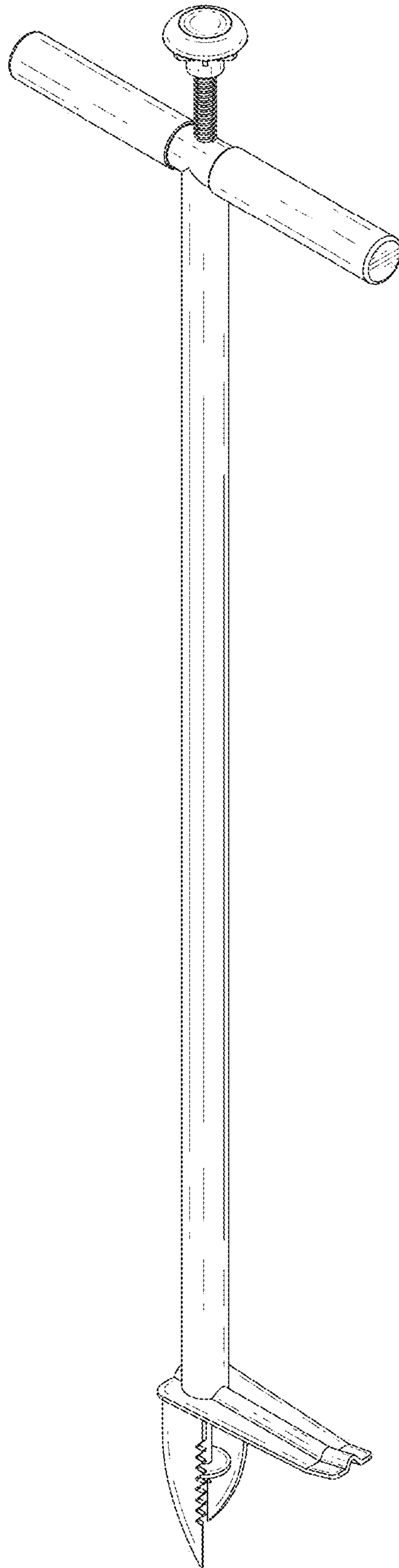


FIG. 1

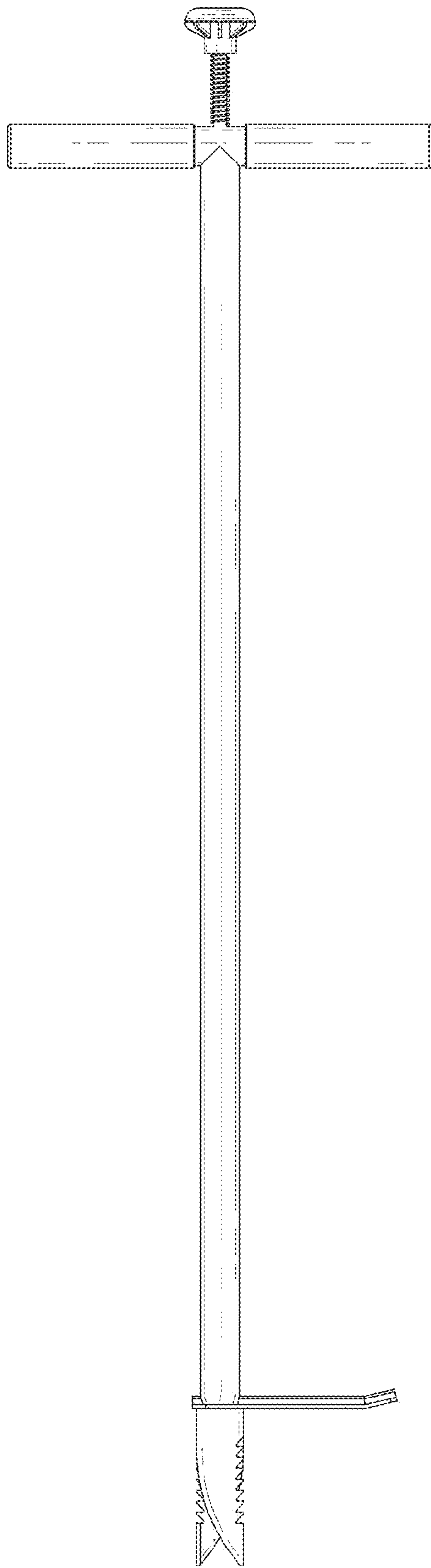


FIG. 2

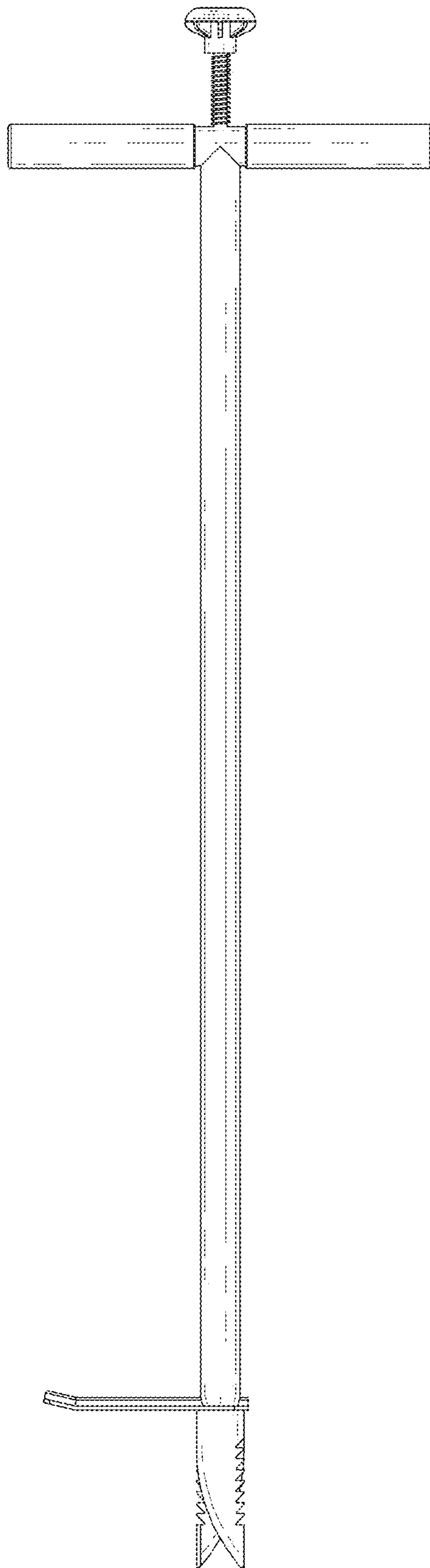


FIG. 3

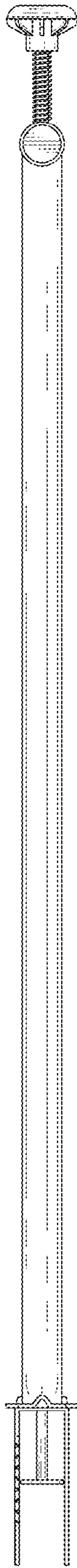


FIG. 4

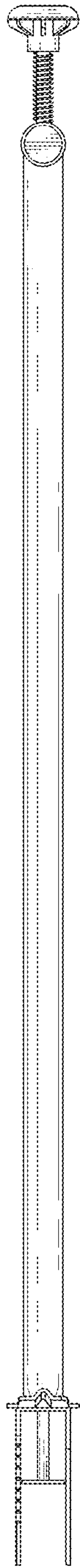


FIG. 5

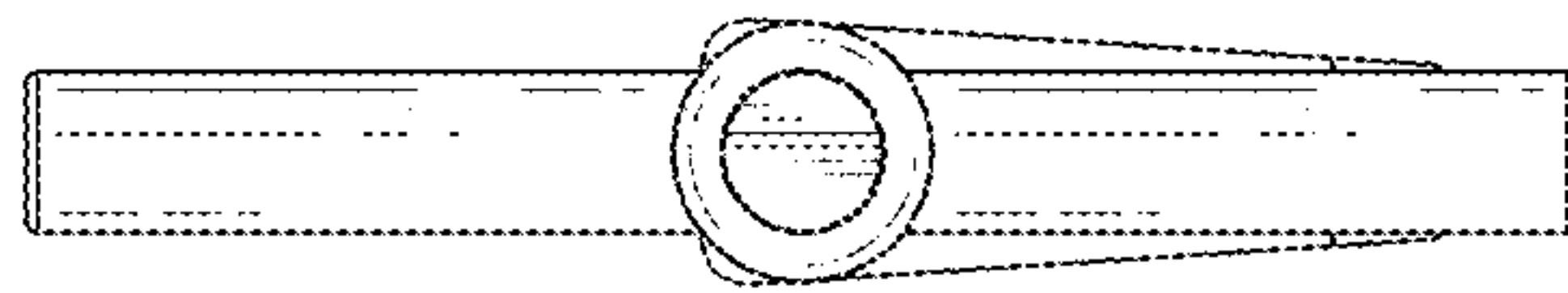


FIG. 6

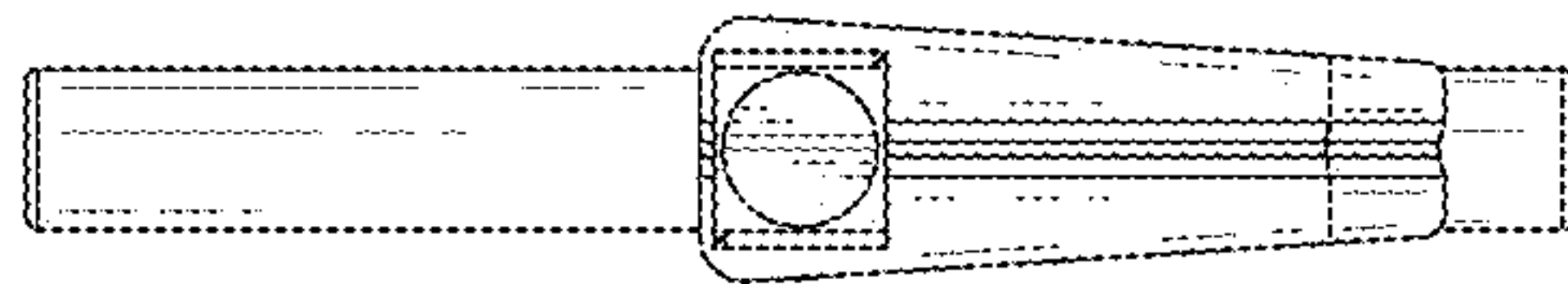


FIG. 7