



US00D979351S

(12) **United States Design Patent** (10) **Patent No.:** **US D979,351 S**
Xu (45) **Date of Patent:** **** Feb. 28, 2023**

(54) **BARBECUE TOOLSET**
(71) Applicant: **Yangjiang Zhongjian Industry And Trade Company Limited, Yangjiang (CN)**

D632,142 S * 2/2011 Lu D7/688
D650,219 S * 12/2011 Lu D7/688
D721,559 S * 1/2015 Grinaids A47G 21/10
D7/643
D737,626 S * 9/2015 Lu A47G 21/10
D7/395

(72) Inventor: **Simon Xu, Yangjiang (CN)**

(Continued)

(73) Assignee: **YANGJIANG ZHONGJIAN INDUSTRY AND TRADE COMPANY LTD, Yangjiang (CN)**

FOREIGN PATENT DOCUMENTS

CN 301875840 * 4/2012
CN 304548160 * 3/2018
EM 008830020-0001 * 2/2022

(**) Term: **15 Years**

OTHER PUBLICATIONS

(21) Appl. No.: **29/859,111**

Grilaz—US, “Grilaz Heavy-DUty Rose Wooden BBQ Grilling Tools Set,” Jan. 21, 2022, Amazon.com, www.amazon.com/dp/B098JRBQB6?th=1 (Year: 2022).*

(22) Filed: **Nov. 7, 2022**

(Continued)

(51) **LOC (14) Cl.** **07-02**

(52) **U.S. Cl.**
USPC **D7/683; D7/401.2; D7/664; D7/674**

Primary Examiner — Joseph Kukella
Assistant Examiner — Arva P Adams

(58) **Field of Classification Search**
USPC D4/117, 118, 132, 138; D7/368, 381, D7/382, 393–395, 401.2, 637, 642–645, D7/653–664, 669, 674, 682–691, 693; D8/34, 107, 300, 310; D22/117, 118
CPC A47G 21/02; A47G 21/06; A47G 21/10; A47J 37/0786; A47J 43/28; A47J 43/283; A47J 43/288; B25G 1/102; B25G 3/18; B26B 11/00

(57) **CLAIM**

The ornamental design for a barbecue toolset, as shown and described.

See application file for complete search history.

DESCRIPTION

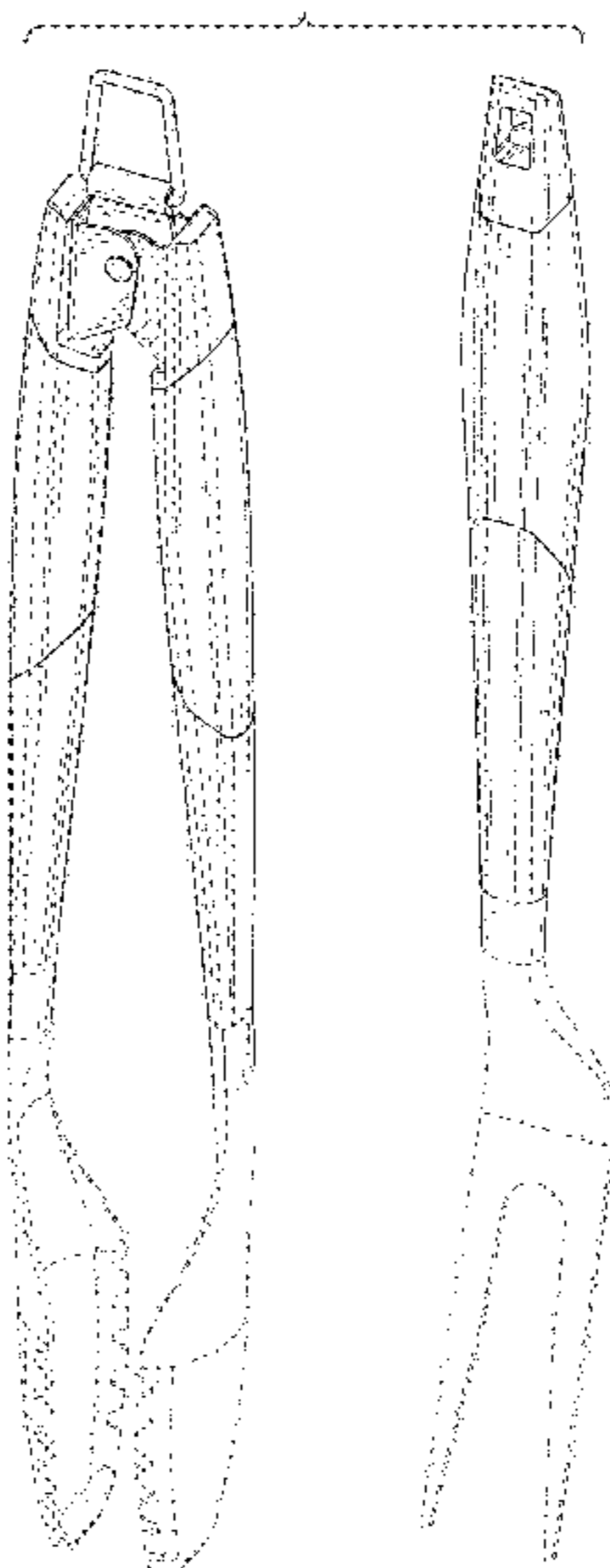
(56) **References Cited**

U.S. PATENT DOCUMENTS

D87,764 S * 9/1932 Walker D8/34
D149,939 S * 6/1948 Failing D8/34
D173,839 S * 1/1955 De Angelis D8/7
D180,749 S * 8/1957 Pardon D7/664
D216,326 S * 12/1969 Steiner D7/649
D227,294 S * 6/1973 Maynard D10/53
6,092,847 A * 7/2000 Kwan A47G 21/10
294/99.2
D578,826 S * 10/2008 Lu D7/395

FIG. 1 is a front and top perspective view of a barbecue toolset, showing my new design;
FIG. 2 is a rear and bottom perspective view thereof;
FIG. 3 is a front elevation view thereof;
FIG. 4 is a rear elevation view thereof;
FIG. 5 is a left side elevation view thereof;
FIG. 6 is a right side elevation view thereof;
FIG. 7 is a top plan view thereof; and,
FIG. 8 is a bottom plan view thereof.
The broken lines in the figures illustrate portions of the barbecue toolset that form no part of the claimed design.

1 Claim, 8 Drawing Sheets



(56)

References Cited

U.S. PATENT DOCUMENTS

D856,059 S 8/2019 Thomkins
2002/0117869 A1* 8/2002 Wang A47G 21/10
294/99.2

OTHER PUBLICATIONS

“Grill Tool Set,” Accessed Dec. 21, 2022, Drip EZ, <https://bbqdripez.com/products/grill-tool-set> (Year: 2022).*

* cited by examiner

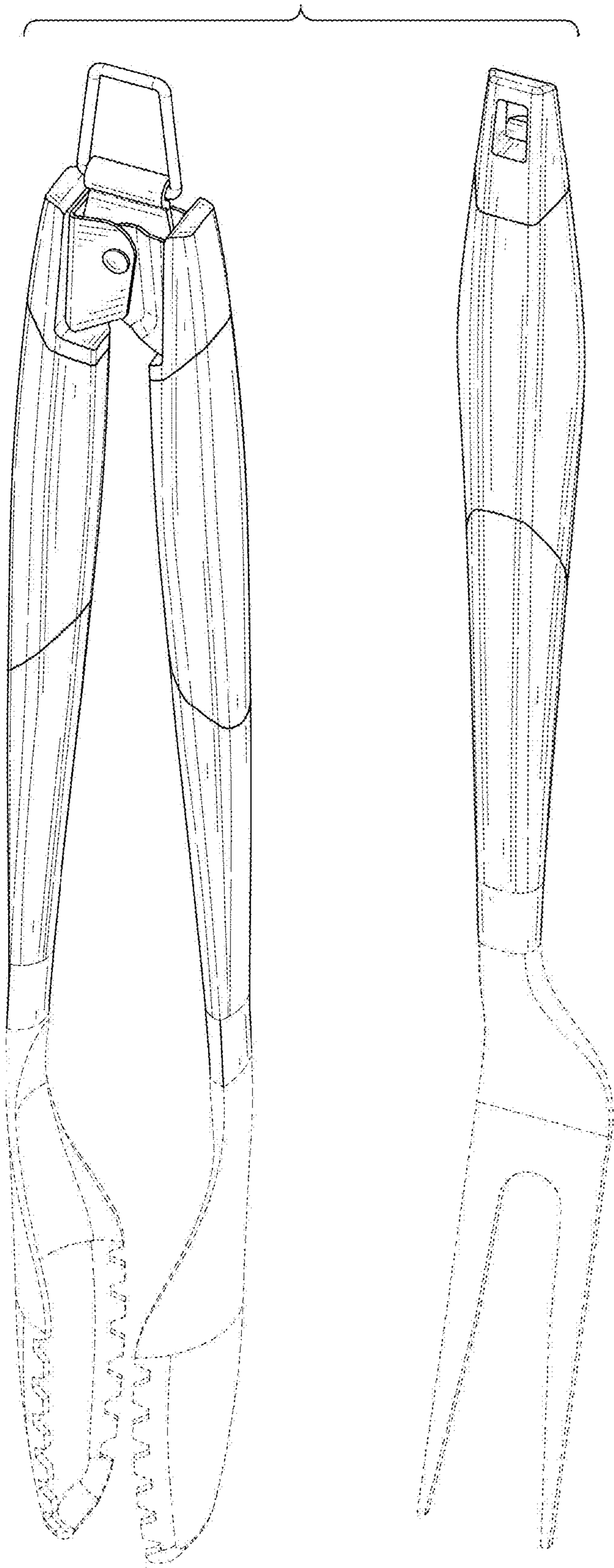


FIG. 1

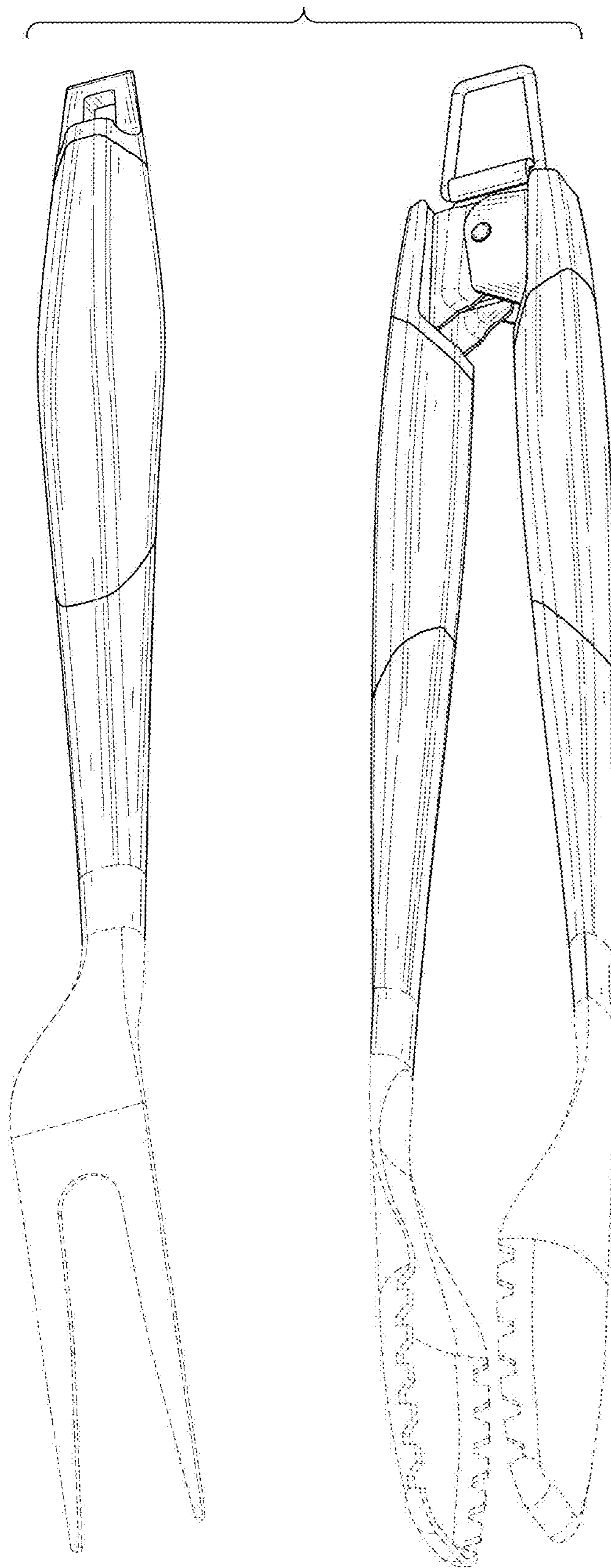


FIG. 2

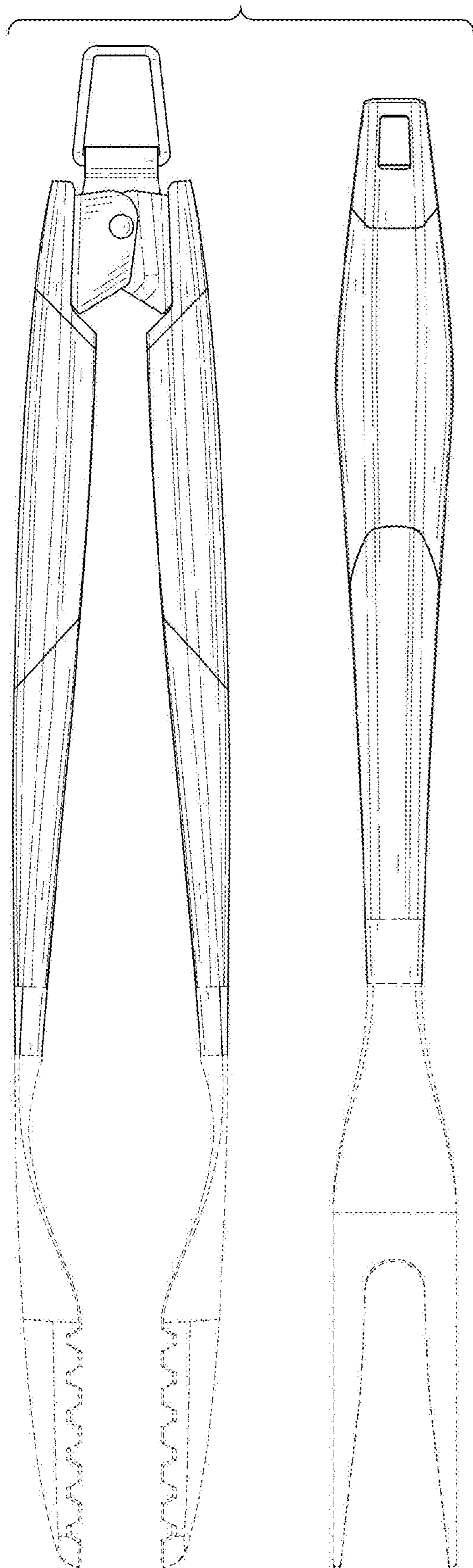


FIG. 3

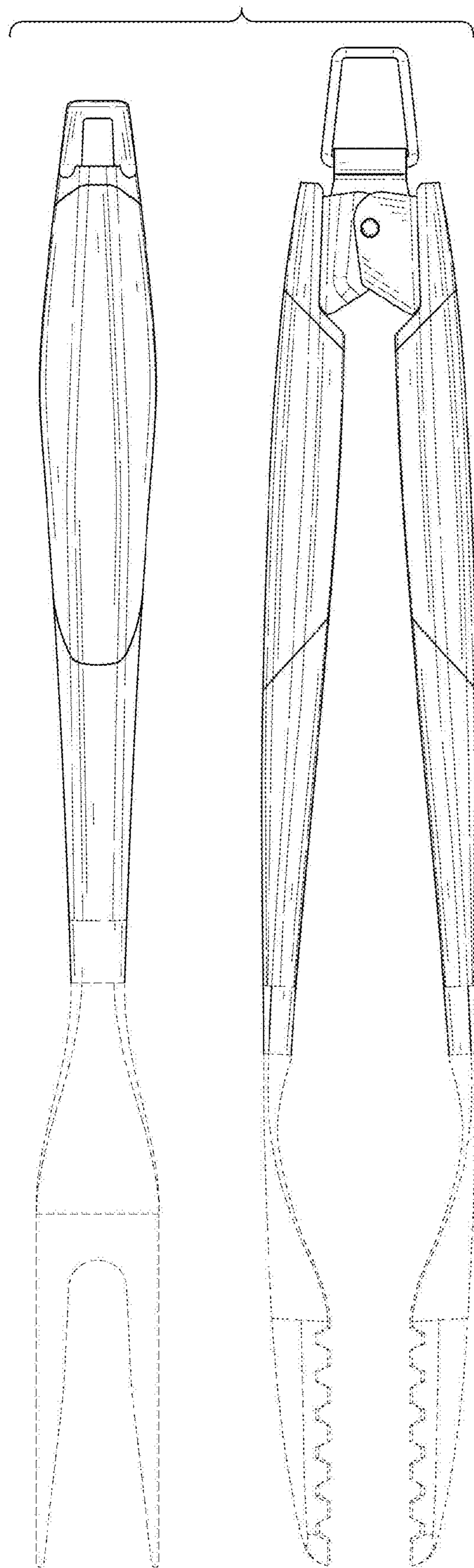


FIG. 4

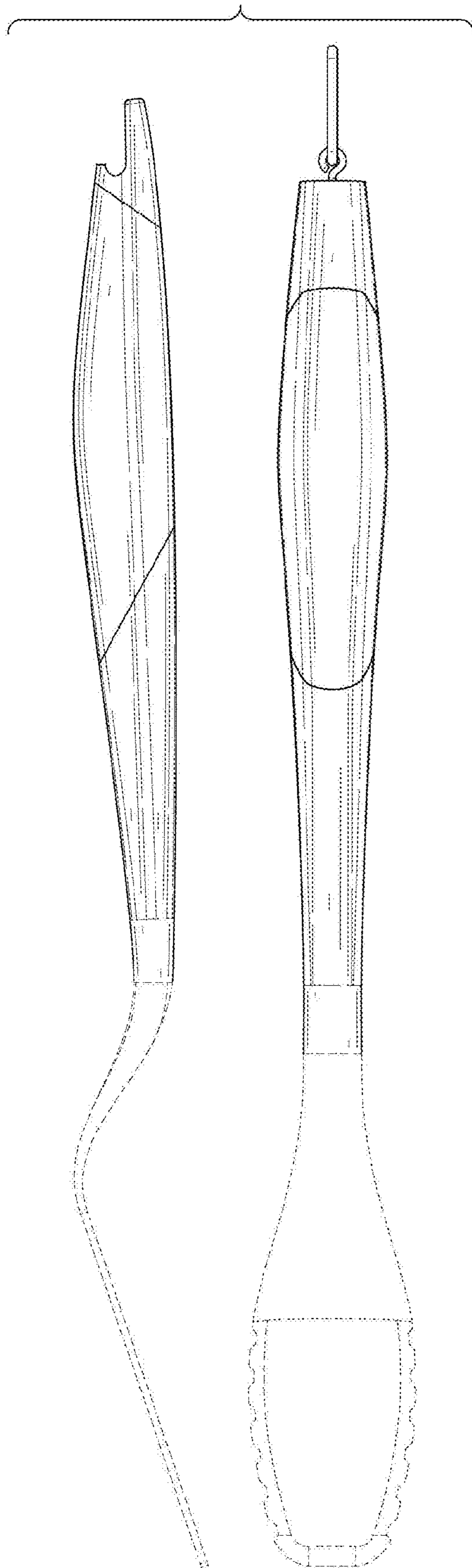


FIG. 5

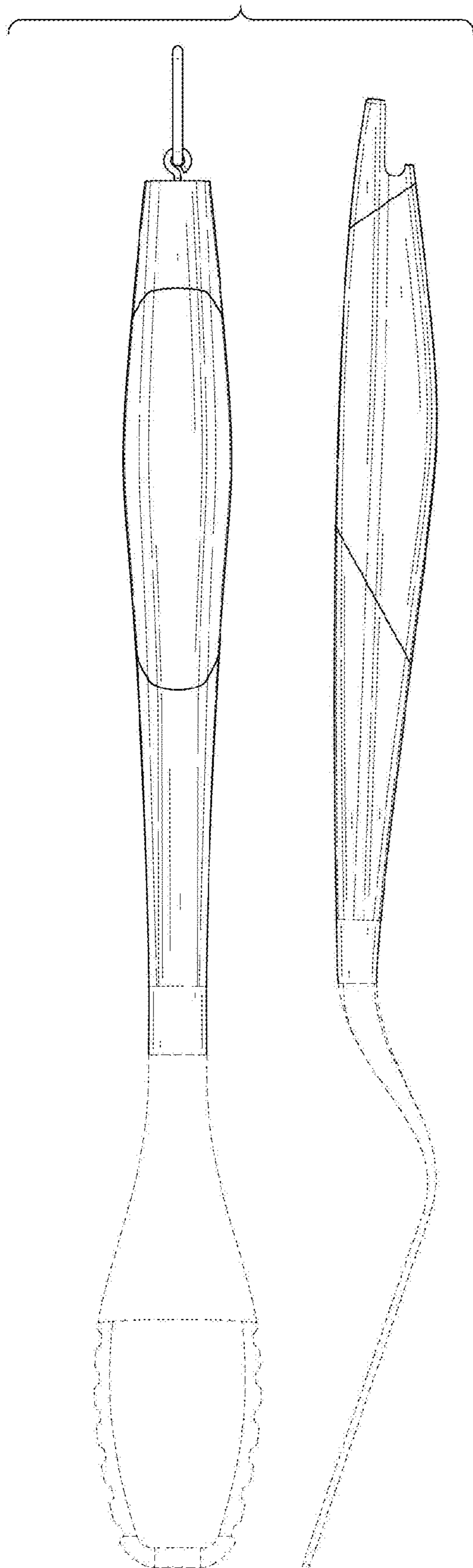


FIG. 6

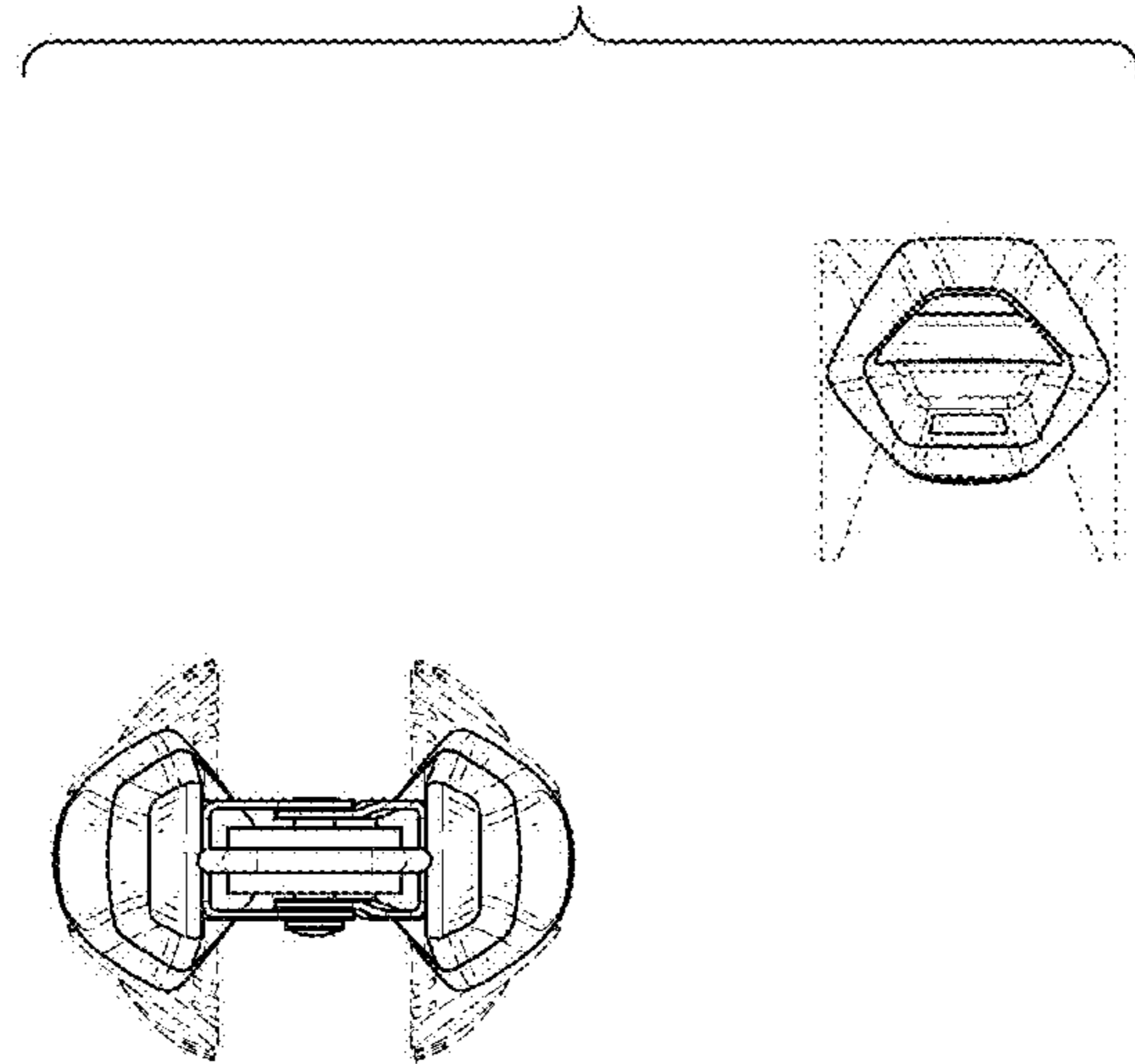


FIG. 7

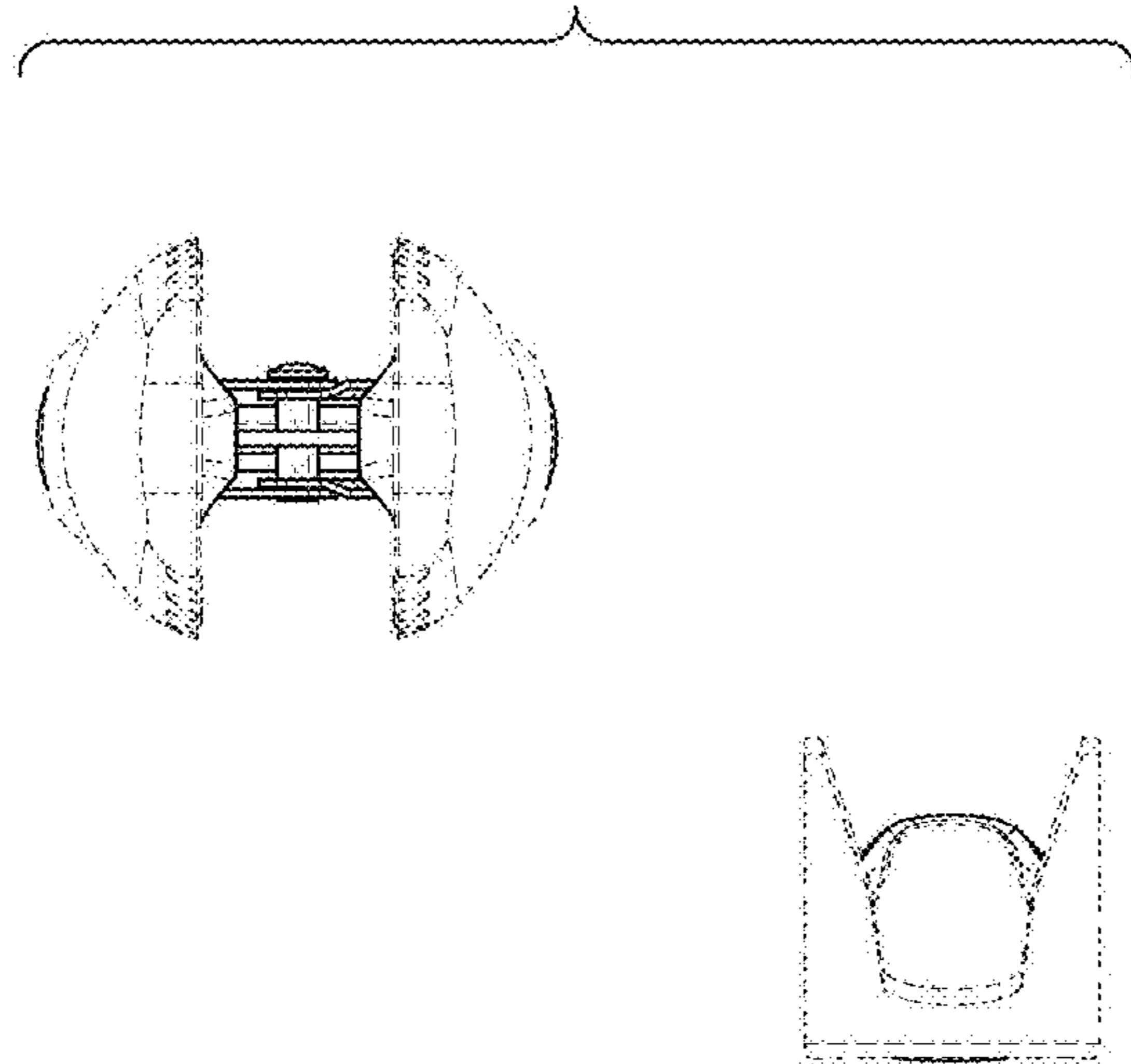


FIG. 8