



US00D979349S

(12) **United States Design Patent** (10) **Patent No.:** **US D979,349 S**
Xu (45) **Date of Patent:** **** Feb. 28, 2023**

(54) **LUNCH BOX**

(71) Applicant: **Dongguan Oumeng Houseware Products Co., Ltd, Guangdong (CN)**

(72) Inventor: **Jingsheng Xu, Hunan (CN)**

(73) Assignee: **Dongguan Oumeng Houseware Products Co., Ltd, Dongguan (CN)**

(**) Term: **15 Years**

(21) Appl. No.: **29/805,018**

(22) Filed: **Aug. 24, 2021**

(51) **LOC (14) Cl.** **07-07**

(52) **U.S. Cl.**
USPC **D7/629**

(58) **Field of Classification Search**
USPC D7/601–603, 605, 759–761, 629–630,
D7/637, 368, 392.1, 555, 708.1;
D9/414–416, 424–425, 430–432, 420, 418
CPC .. B65D 25/2873; B65D 25/18; B65D 25/205;
B65D 25/289; B65D 25/14; B65D 25/20;
B65D 25/22; B65D 25/2826; B65D
25/02; B65D 25/2885; B65D 25/2891;
B65D 25/30; B65D 25/545; B65D
25/287; B65D 25/24; B65D 25/01; B65D
25/00; B65D 25/32; B65D 25/10; B65D
25/102; B65D 25/282; B65D 25/54;
B65D 25/2858; B65D 11/02; B65D
11/10; B65D 11/826; B65D 11/00; B65D
21/0201; B65D 21/0213; B65D 21/86;
B65D 5/36; B65D 5/5028; B65D 5/68;
B65D 5/02; B65D 47/0857; B65D 7/44;
B65D 85/00; B65D 85/06; B65D 85/18;
B65D 85/182; B65D 85/68; B65D
2501/00; B65D 2583/00; B65D 13/00;
A45F 3/02; A45F 3/0414; A45F 3/00;
A45F 3/005; A45F 3/12; A45F 3/47;
A45F 3/08; A45F 3/10; A45F 3/42; A45F
3/20; A45F 3/06; A45F 3/16; A45F 3/15;
A45F 3/22; A45F 3/44; A45F 3/18; A45F
2003/142; A45F 2003/025; A45F

2003/003; A45F 2003/045; A45F
2003/146; A45F 2003/002; A45F
2003/006; A45F 2003/007;

(Continued)

(56) **References Cited**

U.S. PATENT DOCUMENTS

D614,950 S * 5/2010 Colacitti D7/354
D763,706 S * 8/2016 Shum D9/737

(Continued)

FOREIGN PATENT DOCUMENTS

EM 008659387-0001 * 9/2021

OTHER PUBLICATIONS

Bento Lunch Box Microwave Safe Food Container 3 Compartment Bento Box for Kids and Adults, date posted: unknown [online], [retrieved Nov. 18, 2022]. Retrieved from internet, <https://www.walmart.com/ip/Bento-Lunch-Box-Microwave-Safe-Food-Container-3-Compartment-Bento-Box-for-Kids-and-Adults/863484816> on Nov. 18, 2022.*

(Continued)

Primary Examiner — Shannon W Morgan
Assistant Examiner — Terilyn Nicole Davis

(57) **CLAIM**

The ornamental design for a lunch box, as shown and described.

DESCRIPTION

FIG. 1 is a perspective view of a lunch box showing my new design;
FIG. 2 is another perspective view thereof;
FIG. 3 is a front view thereof;
FIG. 4 is a back view thereof;
FIG. 5 is an enlarged left view thereof;
FIG. 6 is an enlarged right view thereof;
FIG. 7 is a top view thereof; and,

(Continued)

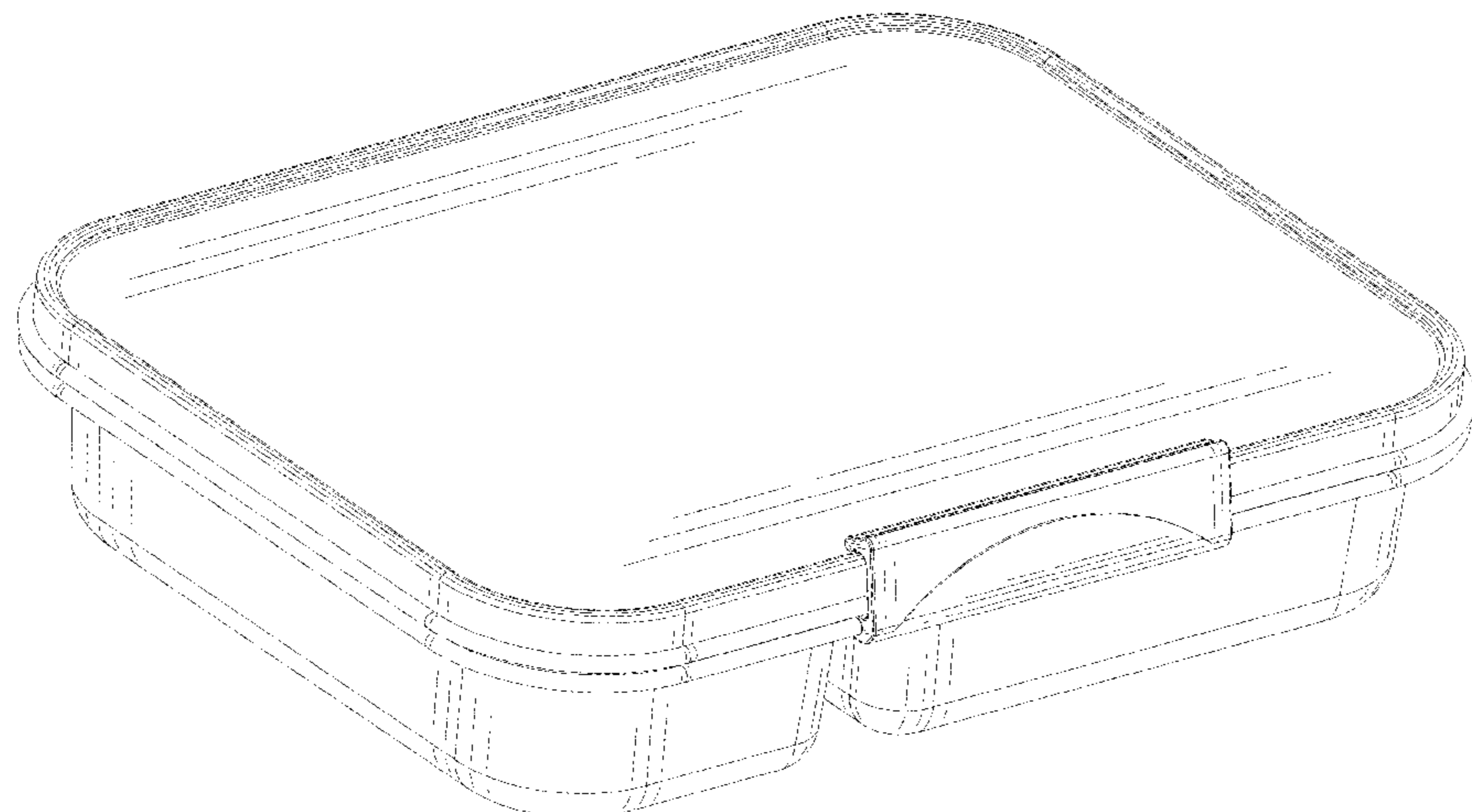


FIG. 8 is a bottom view thereof.

1 Claim, 8 Drawing Sheets

(58) **Field of Classification Search**

CPC A45F 2003/148; A45F 2003/166; A45F 2003/008; A45F 2003/163; A45F 2003/125; A45F 2003/127; A45F 2003/001; A45F 2003/144; A45F 4/02; A45F 4/00; A45F 4/12; A45F 4/06; A45F 4/04; A45F 4/10; A45F 4/08; A45F 2005/006; A45F 2005/008; A45F 2005/1013; A45F 2005/1073; A45F 2005/1033; A45F 2005/002; A45F 2005/104; A45F 2005/027; A45F 2005/026; A45F 2005/125; A45F 2005/108; A45F 2005/025; A45F 2005/1066; A45F 2005/1093; A45F 2005/23; A45F 5/021; A45F 5/02; A45F 5/1026; A45F 5/10; A45F 5/004; A45F 5/102; A45F 5/12; A45F 5/1046; A45F 5/22; A45F 5/14; A45F 5/06; A45F 5/08; A45F 2200/0516; A45F 2200/0525; A45F 2200/0583; A45F 2200/075; A45F 2200/0566; A45F 2200/0533; A45F 2200/0591; A45F 2200/05; A45F 2200/0508; A45F 2200/0558; A45F 2200/005; A45F 2200/0541; A45F 2200/00; A45F 2004/023; A45F 2004/002; A45F 2004/026; A45F 2004/006

See application file for complete search history.

(56)

References Cited

U.S. PATENT DOCUMENTS

D830,796 S * 10/2018 Chen D7/703
 D880,957 S * 4/2020 Xu D7/629
 D882,359 S * 4/2020 Xu D7/709
 D883,754 S * 5/2020 Xu D7/629
 D892,564 S * 8/2020 Xu D7/602
 D953,128 S * 5/2022 Swartz D7/703
 D953,129 S * 5/2022 Swartz D7/703
 D964,808 S * 9/2022 Xu D7/541
 2010/0006578 A1 * 1/2010 Roth F25D 3/08
 220/592.01
 2011/0114526 A1 * 5/2011 Neumann A45C 11/20
 206/459.5
 2019/0202601 A1 * 7/2019 Pepe B65D 21/0213

OTHER PUBLICATIONS

Goodful Reusable Lunch Container with 3 Compartments, BPA-Free, Leak-Proof Lid, Easy to Open and Close, Microwave Safe, Dishwasher Safe, first available Feb. 14, 2020 [online], [retrieved Nov. 28, 2022]. Retrieved from internet, <https://www.amazon.com/Square-Lunch-Container-3-Compartments/dp/B084TPHS5X> on Nov. 28, 2022.*

Bento Box, Bento Box Adult Lunch Box, Ideal Leak Proof Lunch Box Containers, Mom's Choice Kids Lunch Box, Lunch Containers for Adults (White L), available Jul. 31, 2021 [online], [retrieved Nov. 18, 2022]. Retrieved from internet, <https://www.amazon.com/Containers-Microwave-Dishwasher-MISS-BIG/dp/B097T7FQPB/?th=1> on Nov. 17, 2022.*

* cited by examiner

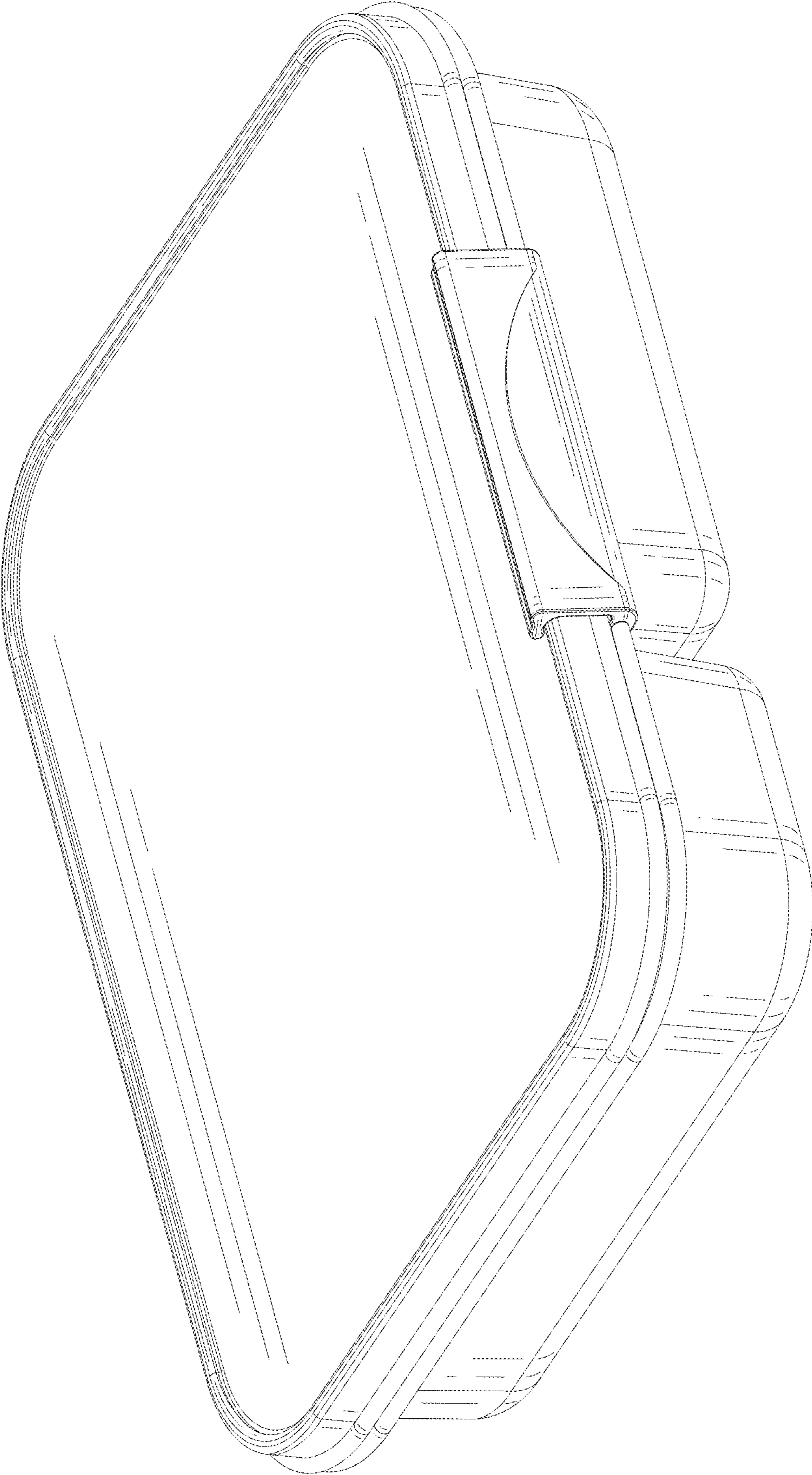


FIG. 1

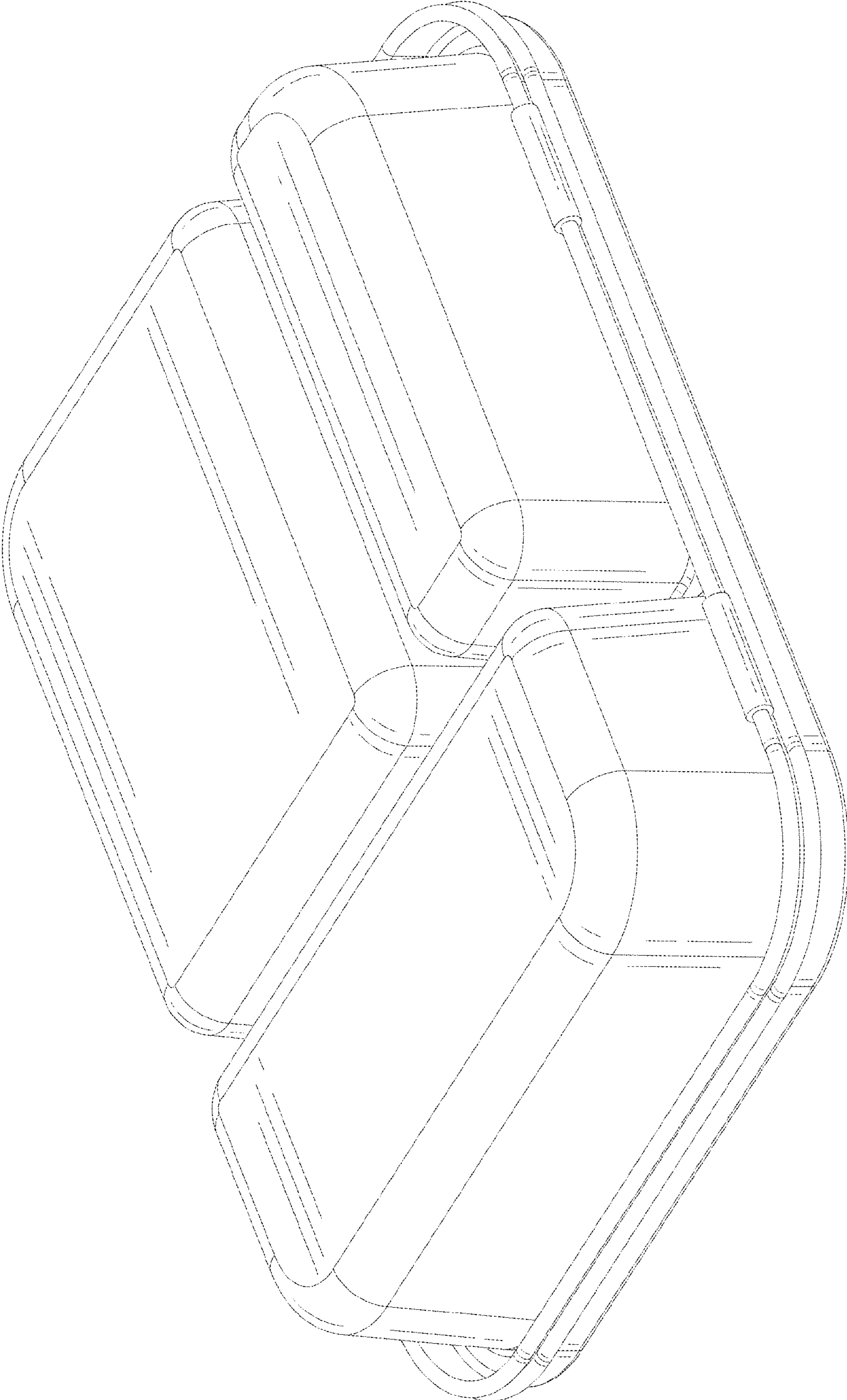


FIG. 2

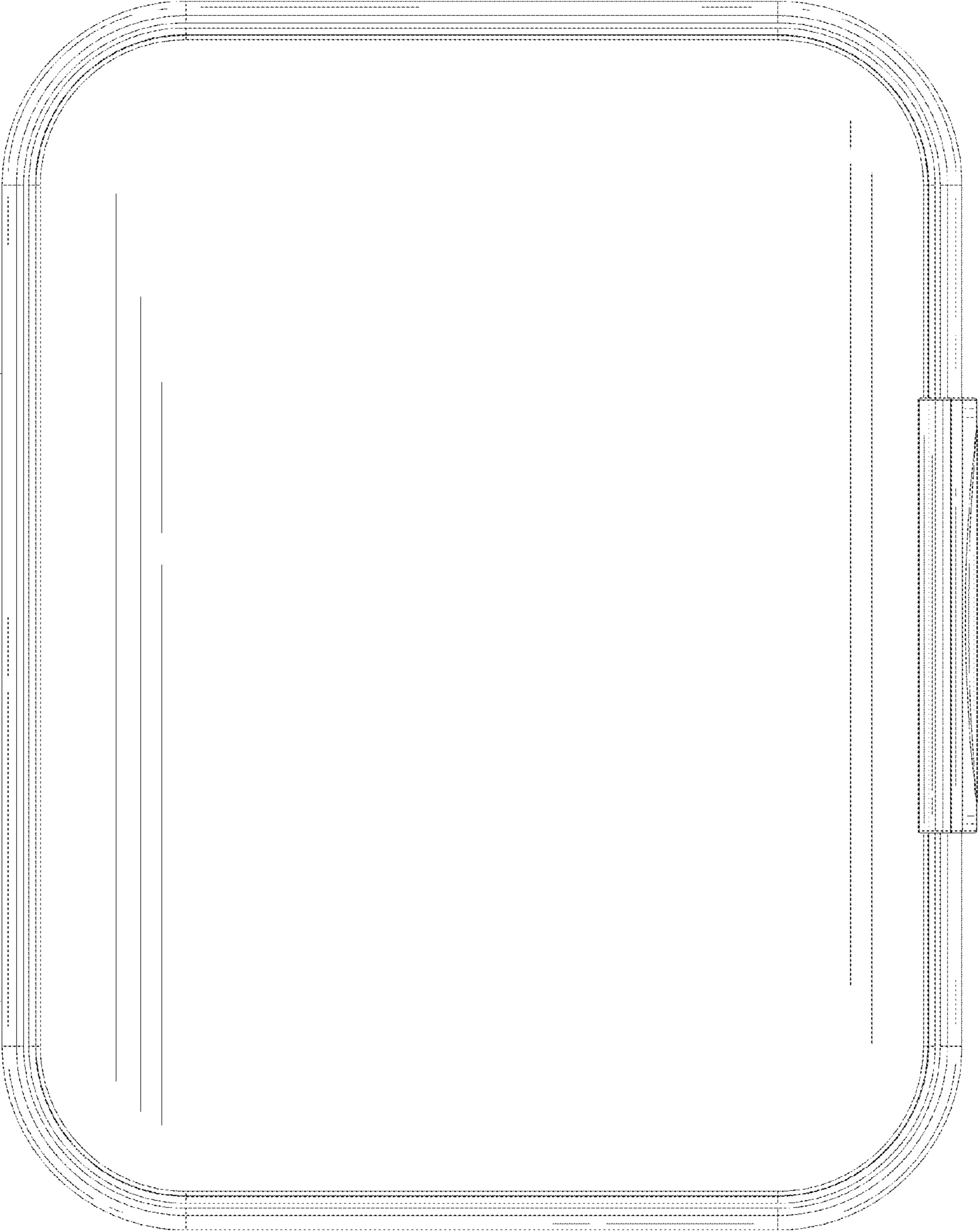


FIG. 3

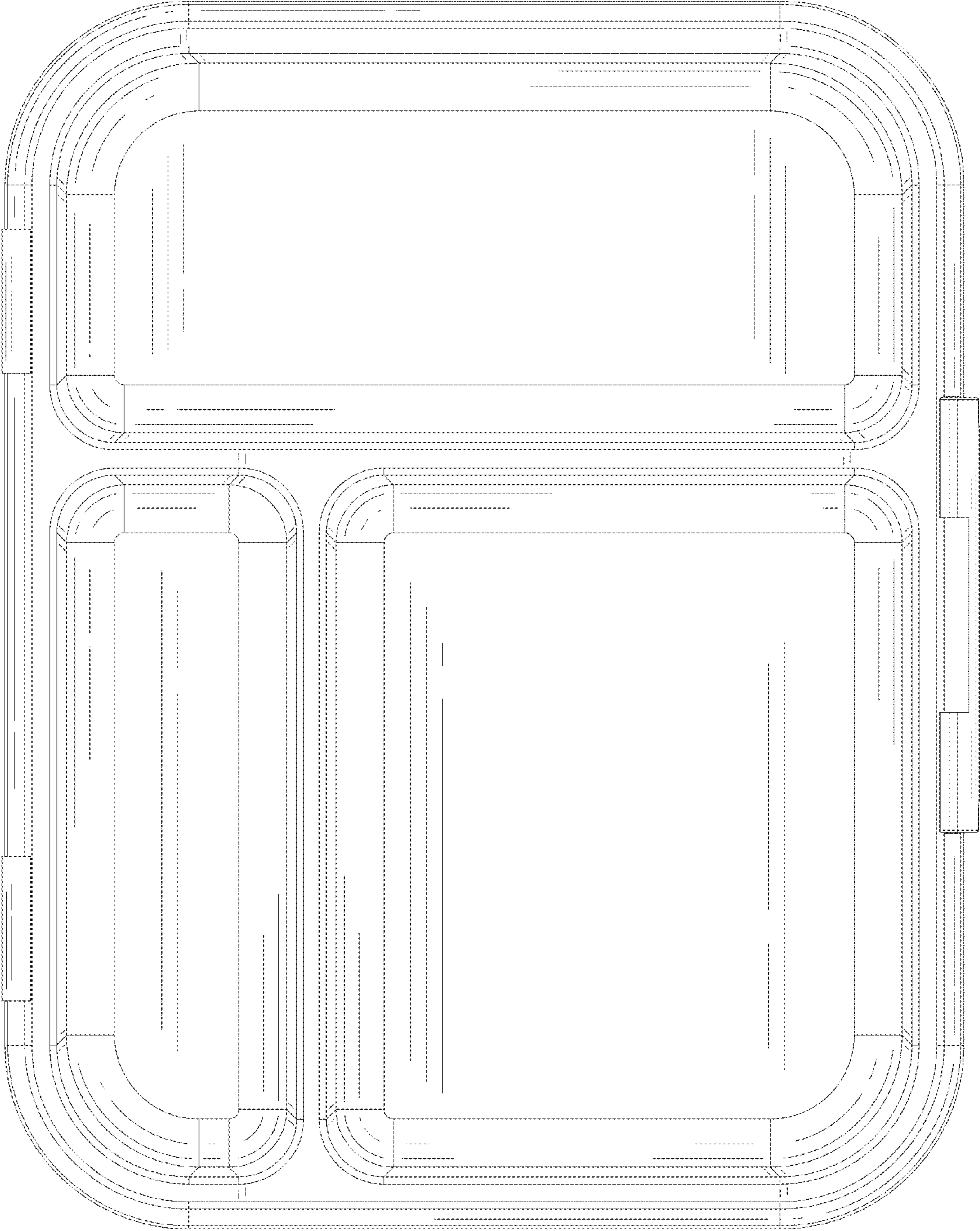


FIG. 4

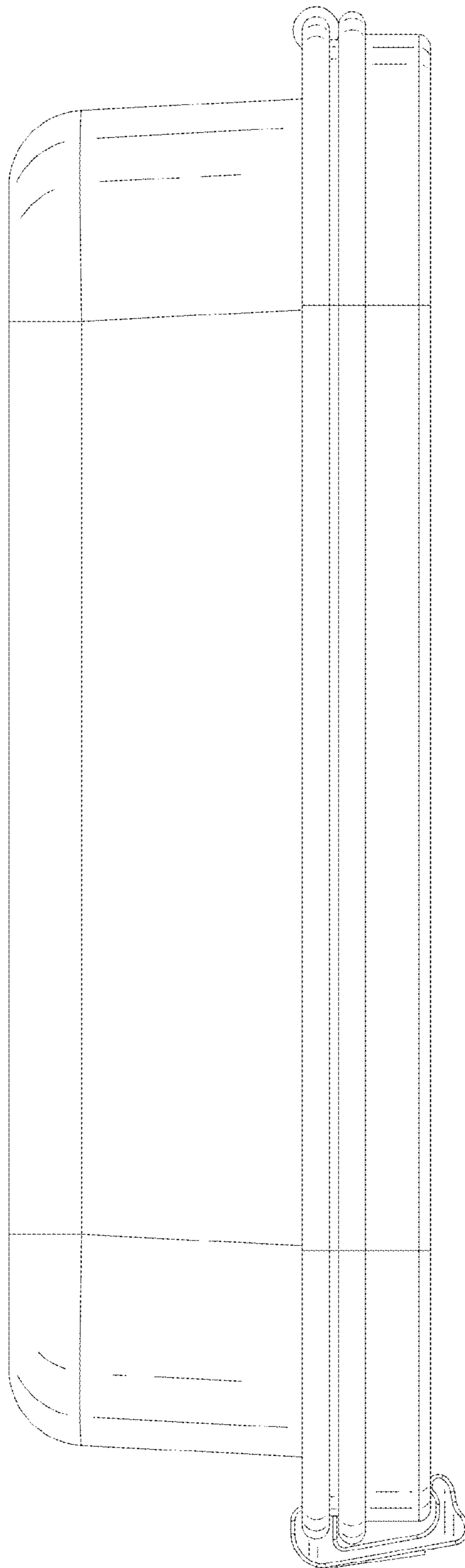


FIG. 5

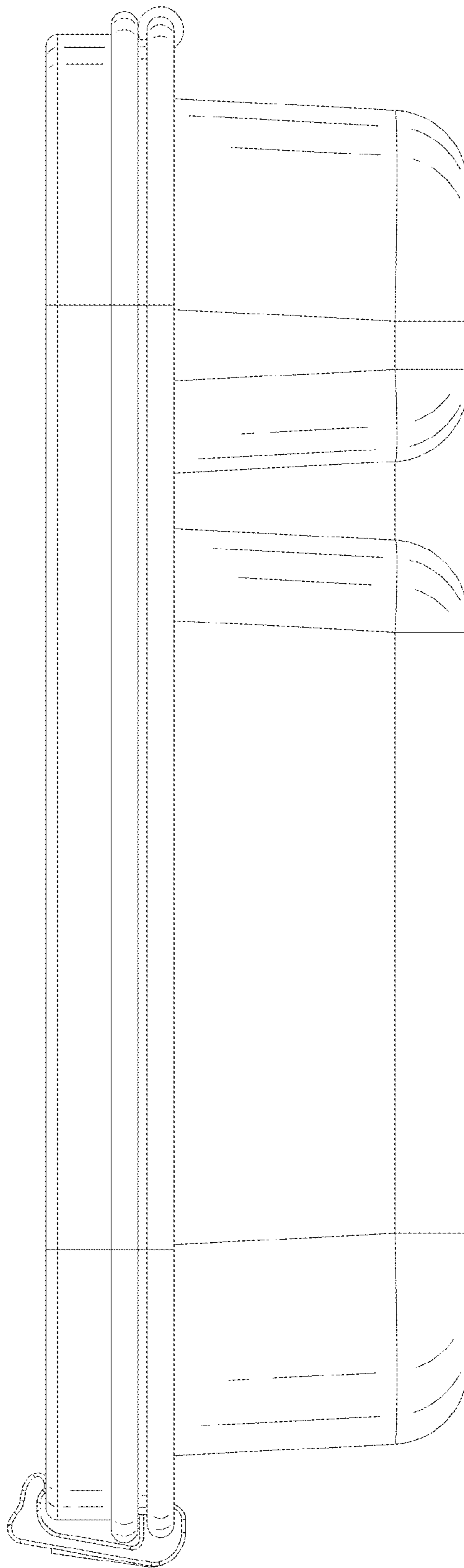


FIG. 6

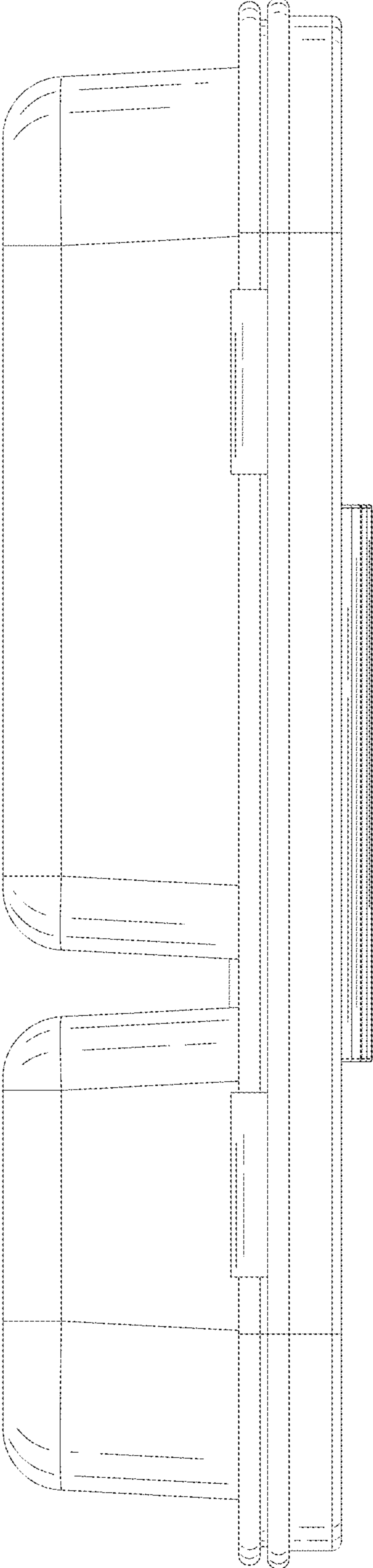


FIG. 7

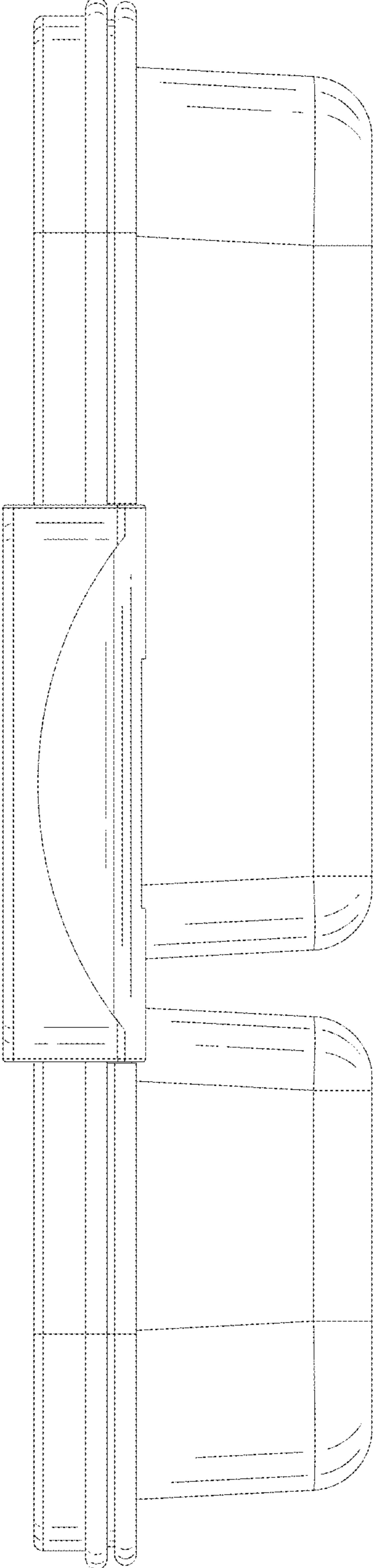


FIG. 8