



US00D979348S

(12) **United States Design Patent** (10) **Patent No.:** **US D979,348 S**
McCabe et al. (45) **Date of Patent:** **** Feb. 28, 2023**

(54) **STORAGE CONTAINER**
(71) Applicant: **Leapfrog Product Development LLC**,
Chicago, IL (US)
(72) Inventors: **Micaela K. McCabe**, Chicago, IL (US);
Steven N. Pinelli, Ogden Dunes, IN
(US); **Jaswanth Chowdary**
Gonuguntla, Chicago, IL (US)
(73) Assignee: **Leapfrog Product Development LLC**,
Chicago, IL (US)
(**) Term: **15 Years**
(21) Appl. No.: **29/780,620**
(22) Filed: **Apr. 26, 2021**
(51) **LOC (14) Cl.** **09-07**
(52) **U.S. Cl.**
USPC **D7/629**
(58) **Field of Classification Search**
USPC D7/601, 602, 612, 615, 630, 701, 703;
D9/434, 435, 414, 424, 425, 432;
D3/201, 203.1
CPC ... B65D 1/26; B65D 1/40; B65D 5/24; B65D
81/34; B65D 81/3453; B65D 2581/34
See application file for complete search history.

D826,557 S * 8/2018 Han D3/282
D849,405 S * 5/2019 Chen D3/905
D850,215 S * 6/2019 Schmidt Dios D9/551
D853,118 S * 7/2019 Gasbarro D3/302
D902,584 S * 11/2020 Kriesel D3/315
D941,523 S * 1/2022 Elkind D9/504
D956,483 S * 7/2022 Nam D7/629
D957,181 S * 7/2022 Jeon D7/391
2018/0265263 A1* 9/2018 Li B65D 43/0202
2019/0344937 A1* 11/2019 Elkind B65D 43/162

* cited by examiner

Primary Examiner — Andrew Kerr

(74) *Attorney, Agent, or Firm* — Barnes & Thornburg
LLP

(57) **CLAIM**

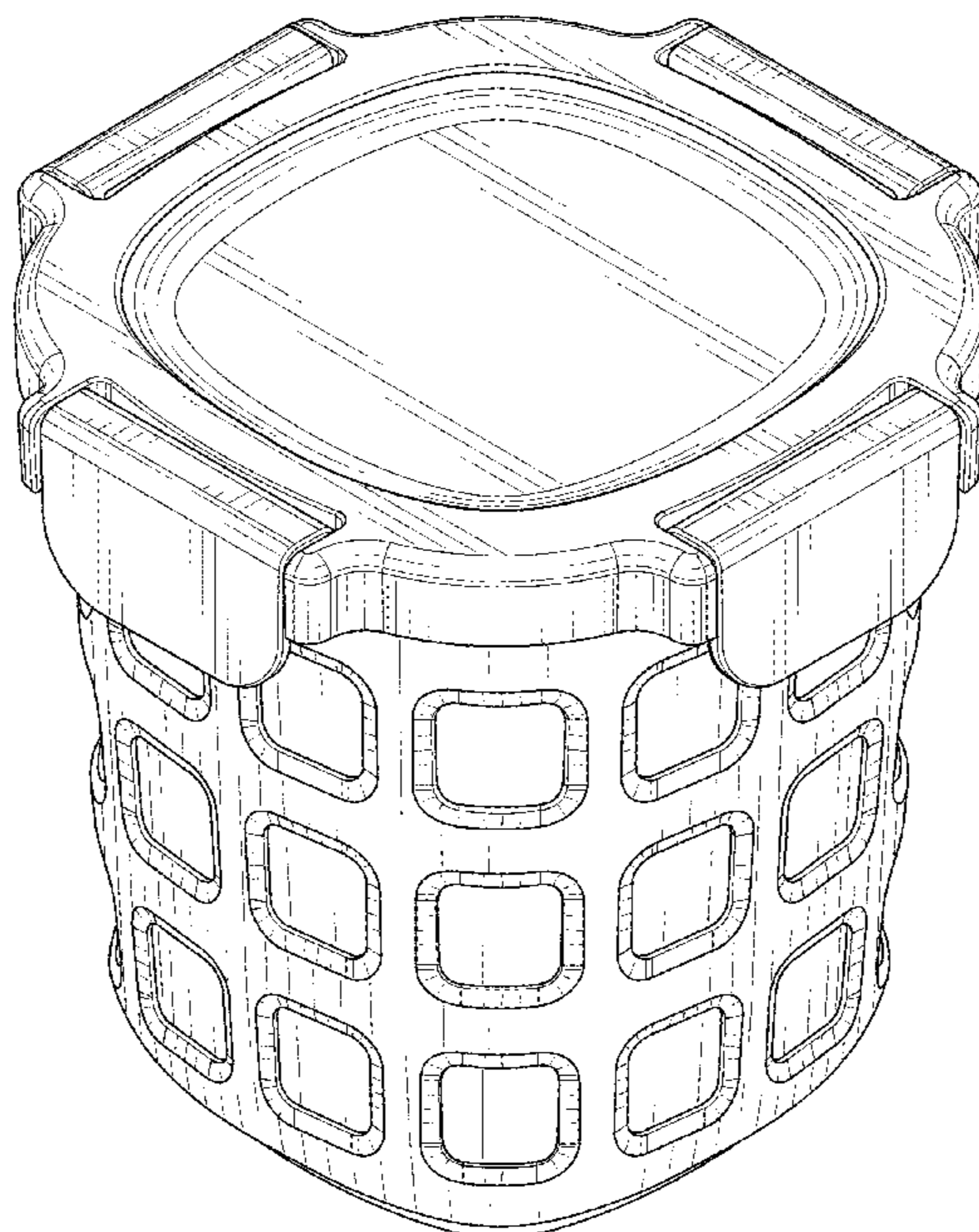
We claim the ornamental design for a storage container, as
shown and described.

DESCRIPTION

FIG. 1 is a top perspective view of the storage container
according to the new design.
FIG. 2 is a bottom perspective view of the storage container
shown in FIG. 1.
FIG. 3 is a rear elevation view of the storage container
shown in FIG. 1.
FIG. 4 is a front elevation view of the storage container
shown in FIG. 1.
FIG. 5 is a right side elevation view of the storage container
shown in FIG. 1.
FIG. 6 is a left side elevation view of the storage container
shown in FIG. 1.
FIG. 7 is a top plan view of the storage container shown in
FIG. 1; and,
FIG. 8 is a bottom plan view of the storage container shown
in FIG. 1.

1 Claim, 8 Drawing Sheets

(56) **References Cited**
U.S. PATENT DOCUMENTS
8,534,492 B2 * 9/2013 Smyers B65D 45/20
220/240
8,870,021 B2 * 10/2014 Smyers A47G 19/02
220/795
D722,832 S * 2/2015 Ra D7/602
9,108,776 B2 * 8/2015 Smyers B65D 45/18
D796,266 S * 9/2017 Croft D7/538



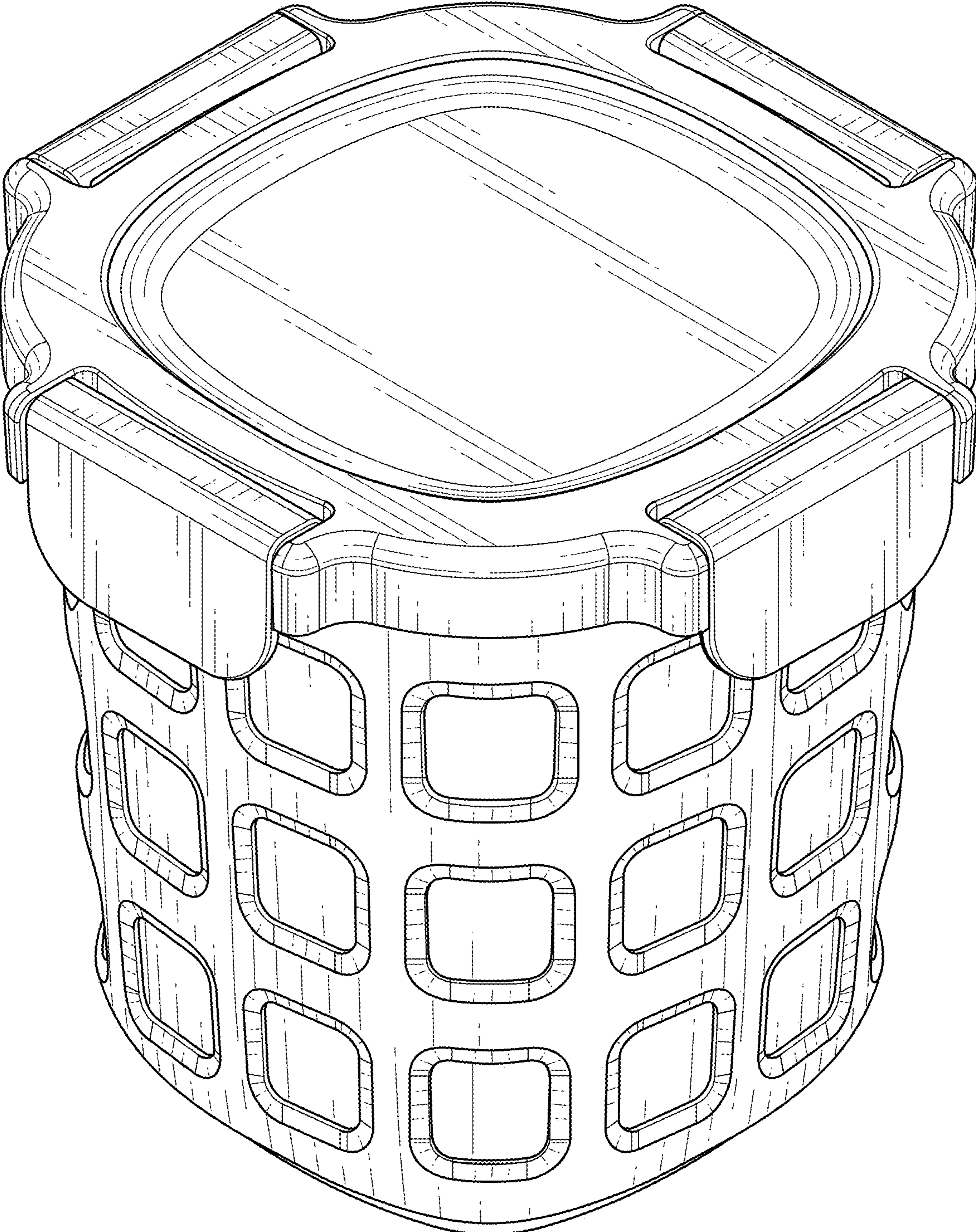


FIG. 1

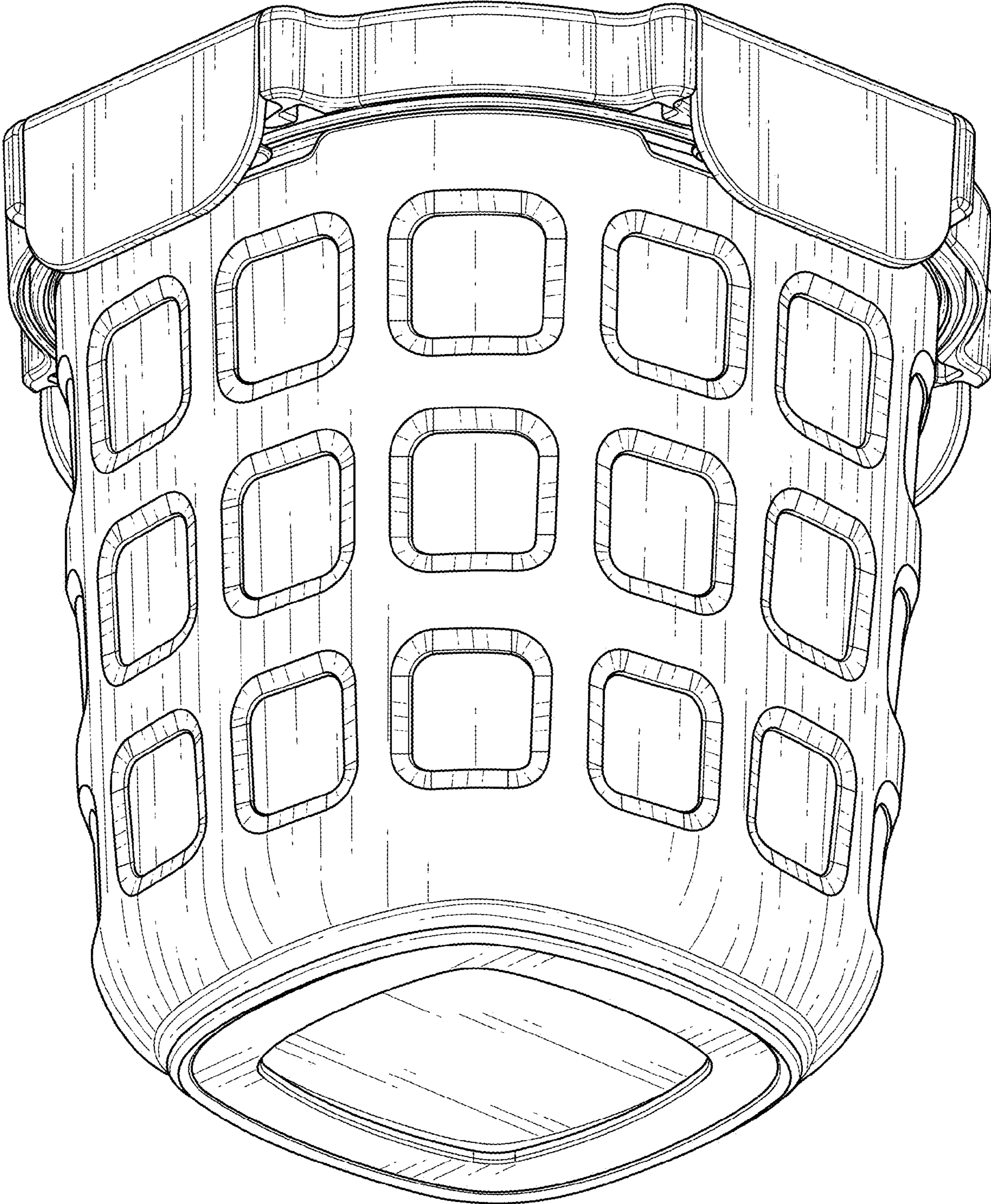


FIG. 2

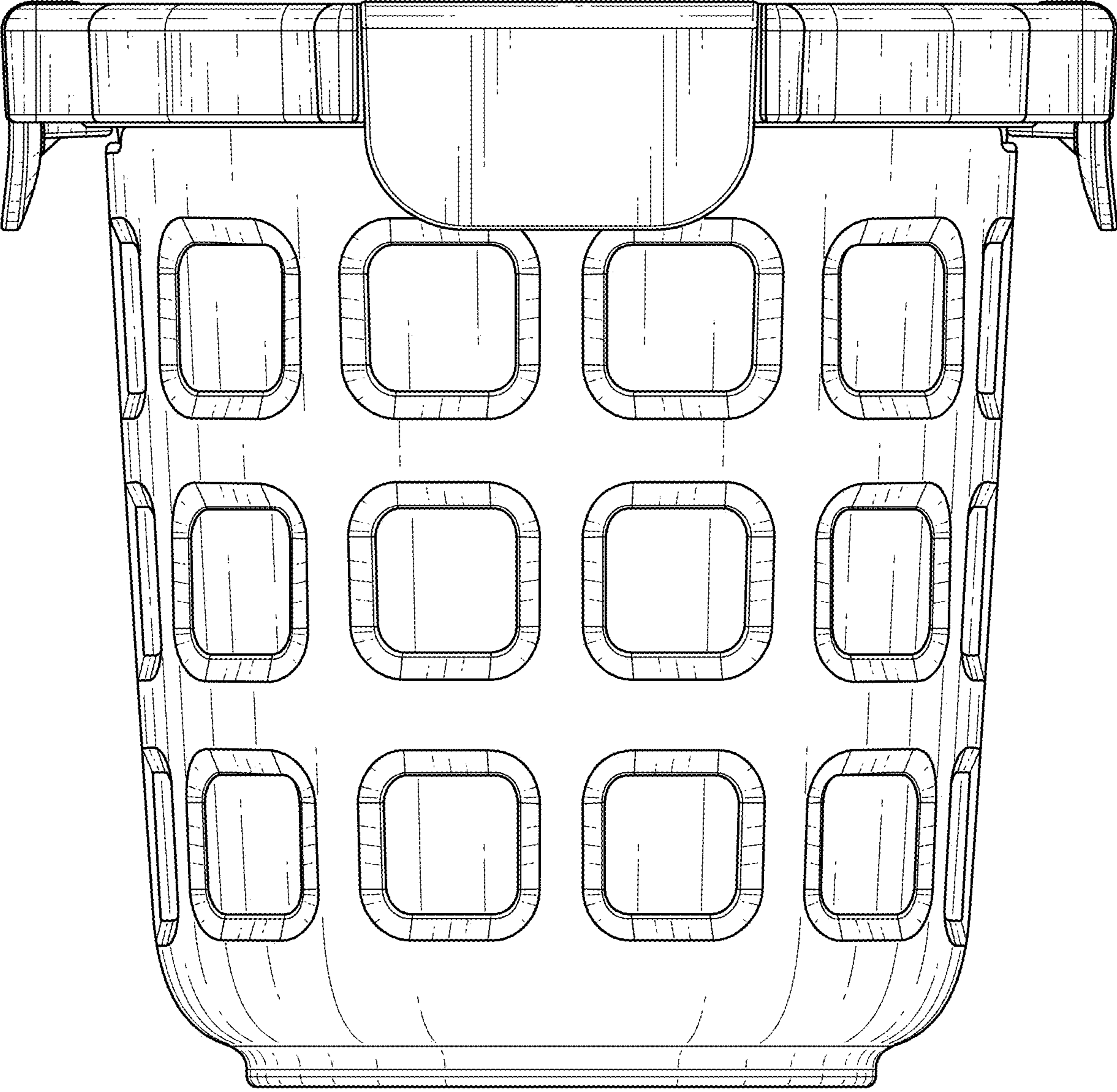


FIG. 3

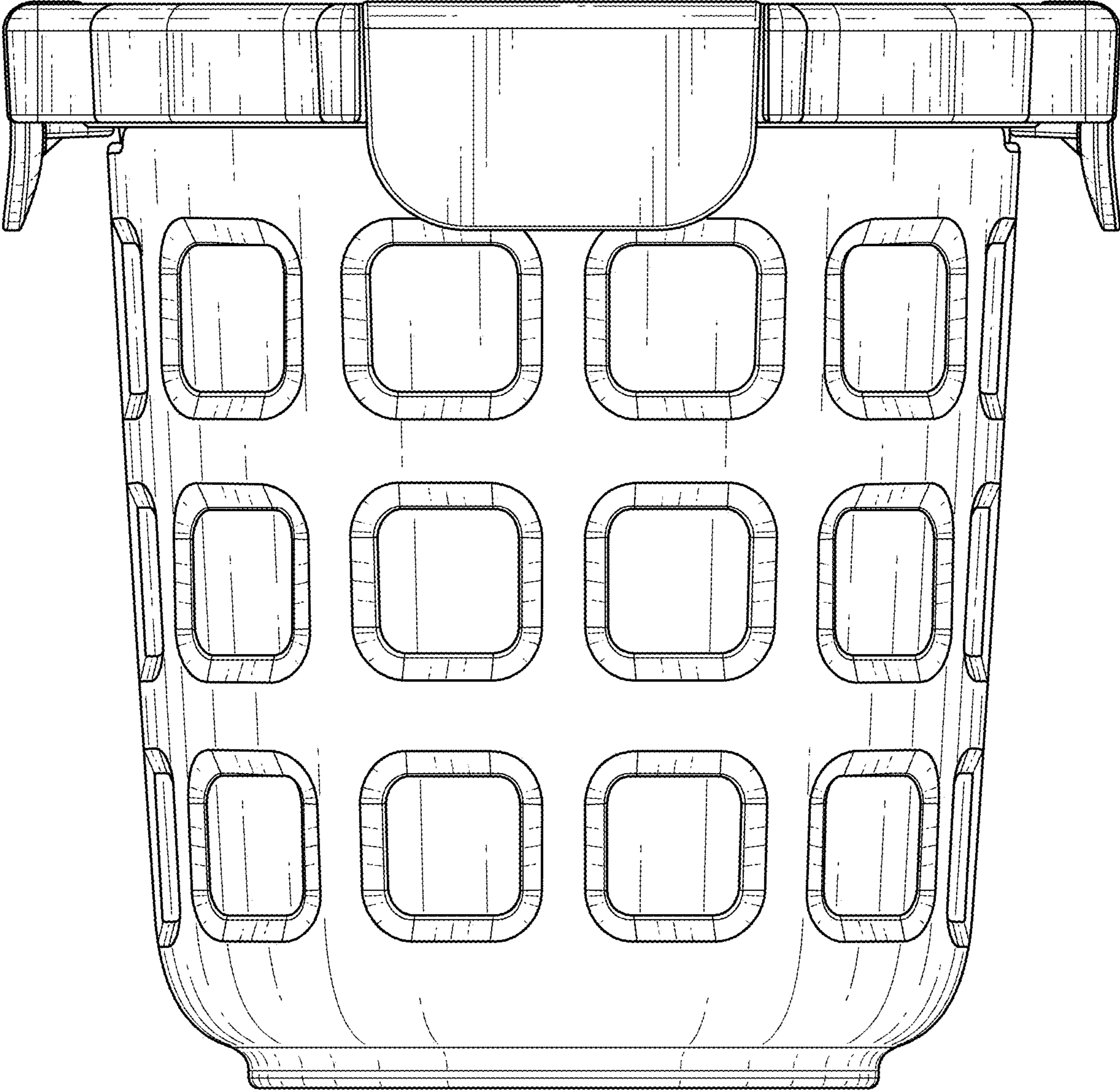


FIG. 4

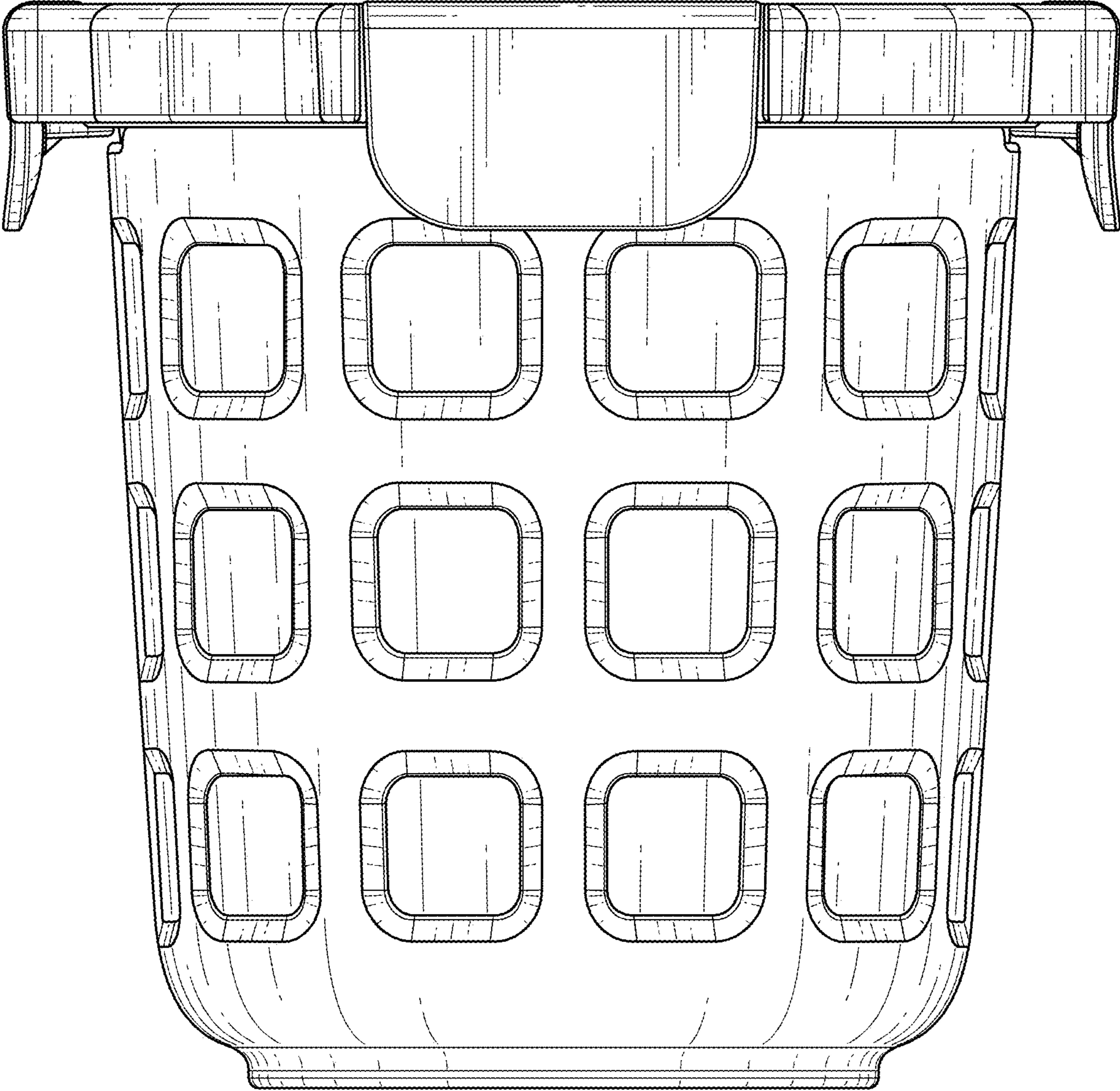


FIG. 5

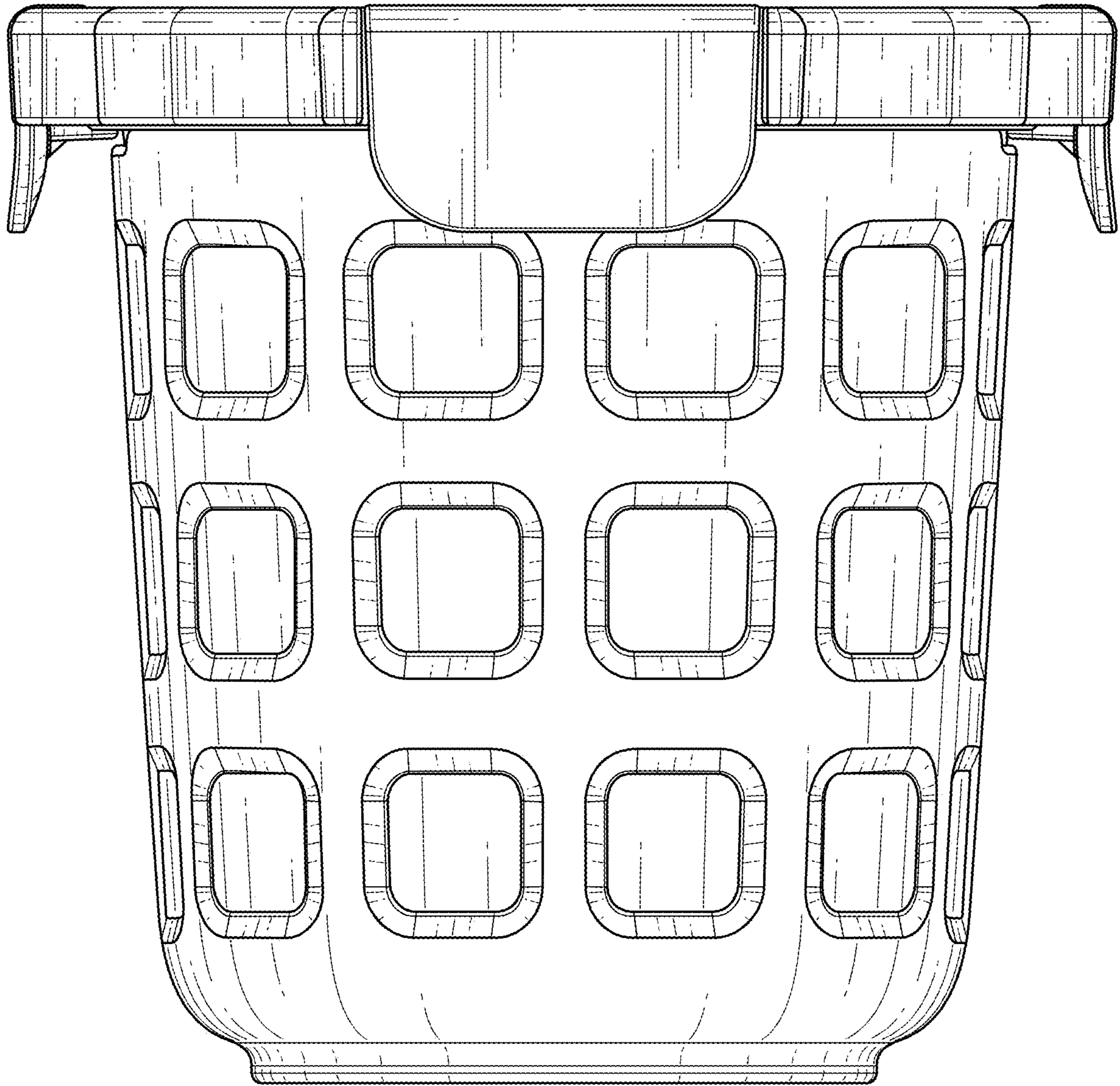


FIG. 6

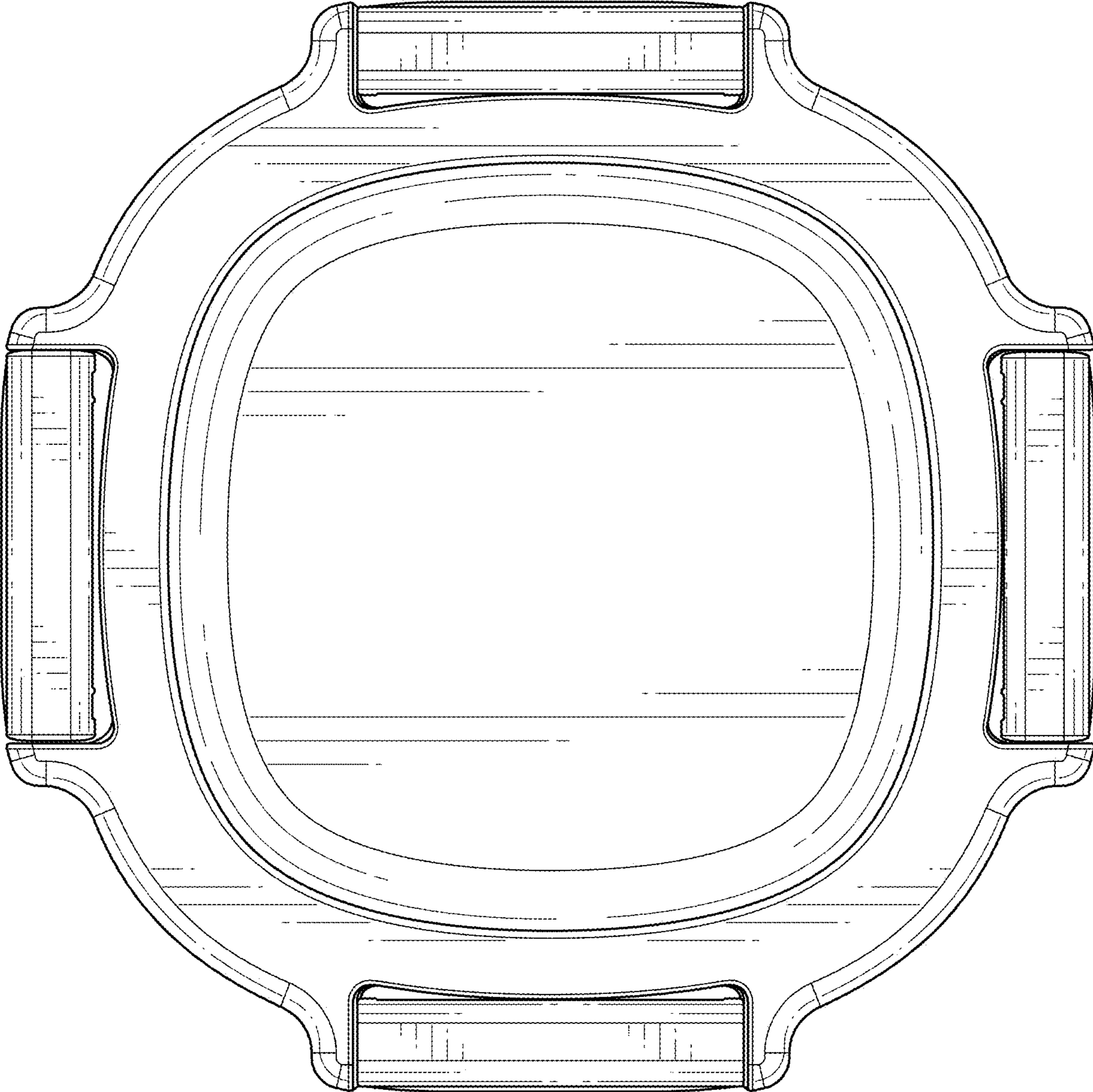


FIG. 7

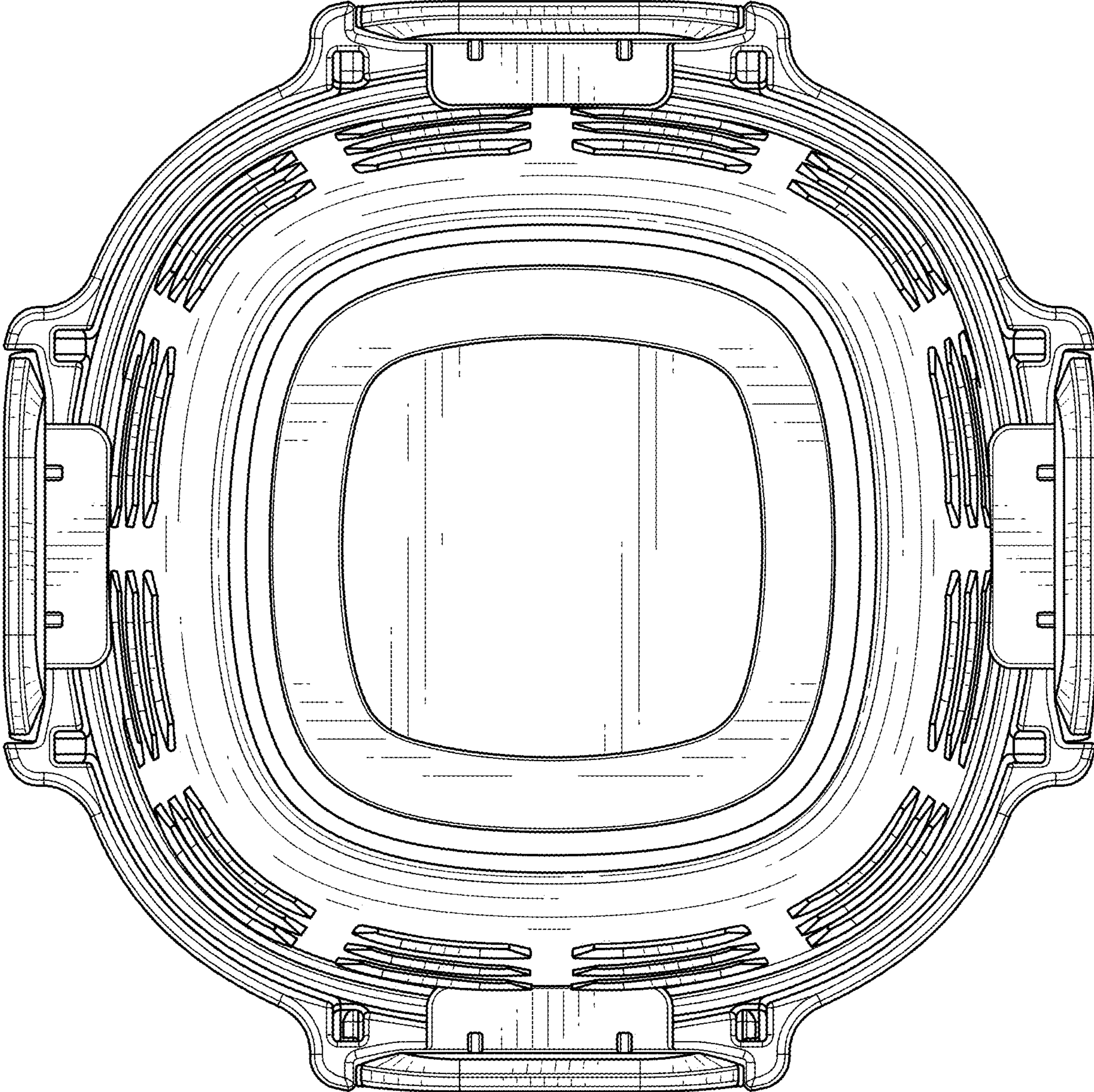


FIG. 8