



US00D979347S

(12) **United States Design Patent** (10) **Patent No.:** **US D979,347 S**  
**Chen** (45) **Date of Patent:** **\*\* Feb. 28, 2023**

(54) **CONTAINER**  
(71) Applicant: **Yingying Chen**, Guangdong (CN)  
(72) Inventor: **Yingying Chen**, Guangdong (CN)  
(\*\*) Term: **15 Years**  
(21) Appl. No.: **29/769,346**  
(22) Filed: **Feb. 4, 2021**  
(51) **LOC (14) Cl.** ..... **07-07**  
(52) **U.S. Cl.**  
USPC ..... **D7/629**  
(58) **Field of Classification Search**  
USPC ..... D7/701-708, 619.1-625, 629, 630,  
D7/553.1-553.5, 550.1; D9/424-432  
CPC ..... A47G 19/06; A47G 19/08; A47G 19/065;  
A47G 19/00; A47G 19/02; A47G 23/02;  
A47G 23/06; B65D 1/36; B65D 43/0212;  
B65D 45/20; A47J 47/14  
See application file for complete search history.

5,082,115 A \* 1/1992 Hutcheson ..... A45C 11/20  
206/553  
D334,114 S \* 3/1993 Narsutis ..... D7/629  
D351,090 S \* 10/1994 Narsutis ..... D9/425  
D428,310 S \* 7/2000 Zettle ..... D7/629  
D484,367 S \* 12/2003 Kim ..... D7/629  
D673,808 S \* 1/2013 Grider ..... D7/391  
D704,503 S \* 5/2014 Manley ..... D7/391  
2005/0035125 A1 \* 2/2005 Bae ..... B65D 45/20  
220/784  
2014/0103033 A1 \* 4/2014 Beckman ..... B65D 1/34  
220/4.01  
2018/0265263 A1 \* 9/2018 Li ..... B65D 43/0202  
2022/0079379 A1 \* 3/2022 Ganahl ..... A47J 47/14

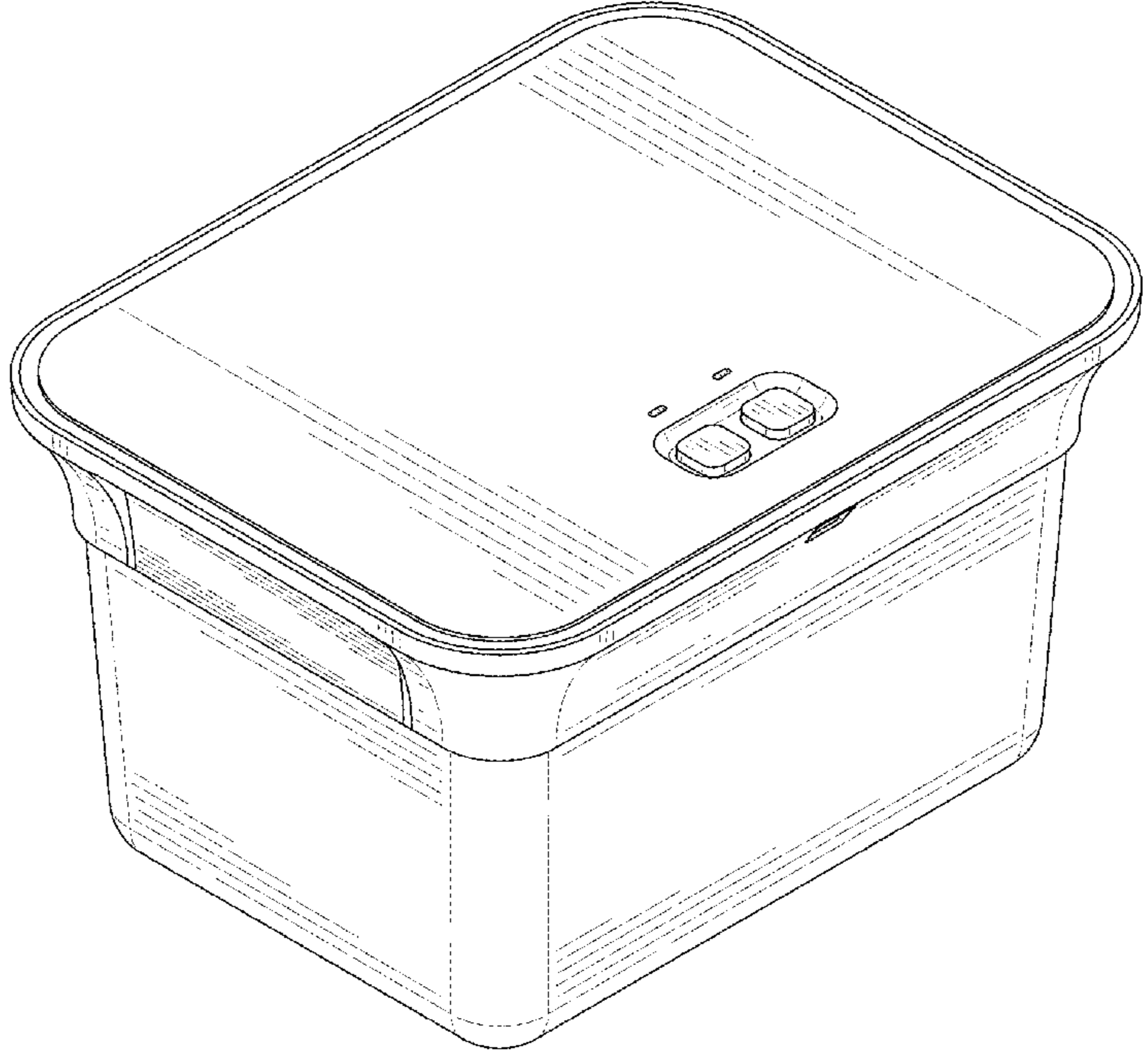
\* cited by examiner  
*Primary Examiner* — Terry A Wallace  
(74) *Attorney, Agent, or Firm* — ScienBiziP, P.C.

(57) **CLAIM**  
The ornamental design for a container, as shown and described.

(56) **References Cited**  
U.S. PATENT DOCUMENTS  
2,752,970 A \* 7/1956 Tupper ..... B65D 1/42  
D9/425  
3,384,263 A \* 5/1968 Bernstein ..... B65D 1/22  
D7/629  
3,394,861 A \* 7/1968 Traux ..... B65D 25/04  
426/123  
D246,560 S \* 12/1977 Beauchamp ..... D7/629  
D279,952 S \* 8/1985 Daenen ..... D9/425  
D280,964 S \* 10/1985 Wolff ..... D7/629  
D284,254 S \* 6/1986 Carlson ..... D7/629  
D285,413 S \* 9/1986 Carlson ..... D9/425  
4,819,824 A \* 4/1989 Longbottom ..... B65D 43/0206  
D7/629

**DESCRIPTION**  
FIG. 1 is a front, left, and top perspective view of a container, showing my design.  
FIG. 2 is a rear, right, and bottom perspective view thereof.  
FIG. 3 is a front elevation view thereof.  
FIG. 4 is a rear elevation view thereof.  
FIG. 5 is a left side elevation view thereof.  
FIG. 6 is a right side elevation view thereof.  
FIG. 7 is a top plan view thereof; and,  
FIG. 8 is a bottom plan view thereof.  
The broken lines on the button in FIG. 3 form no part of the claimed design.

**1 Claim, 8 Drawing Sheets**



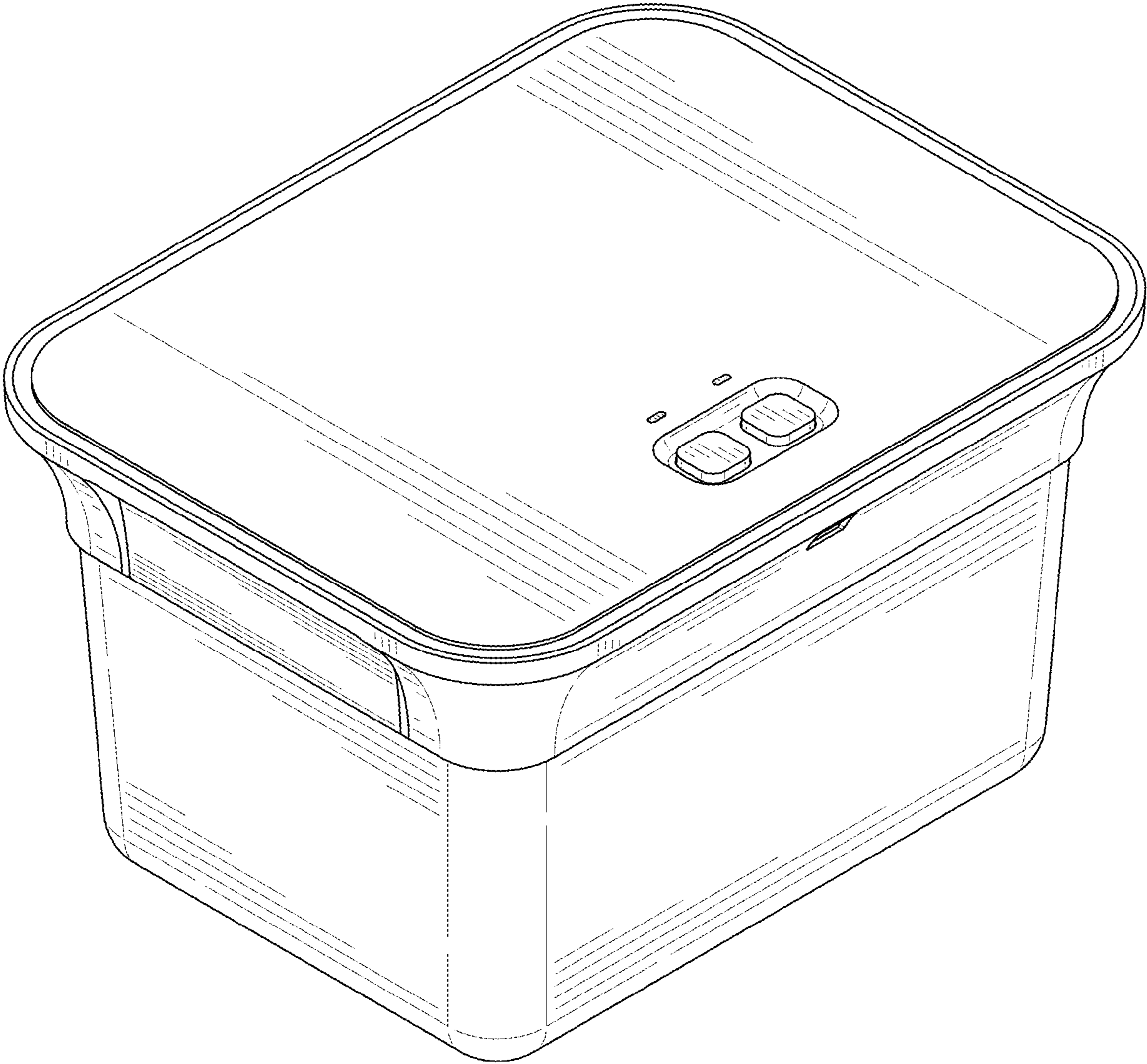


FIG. 1

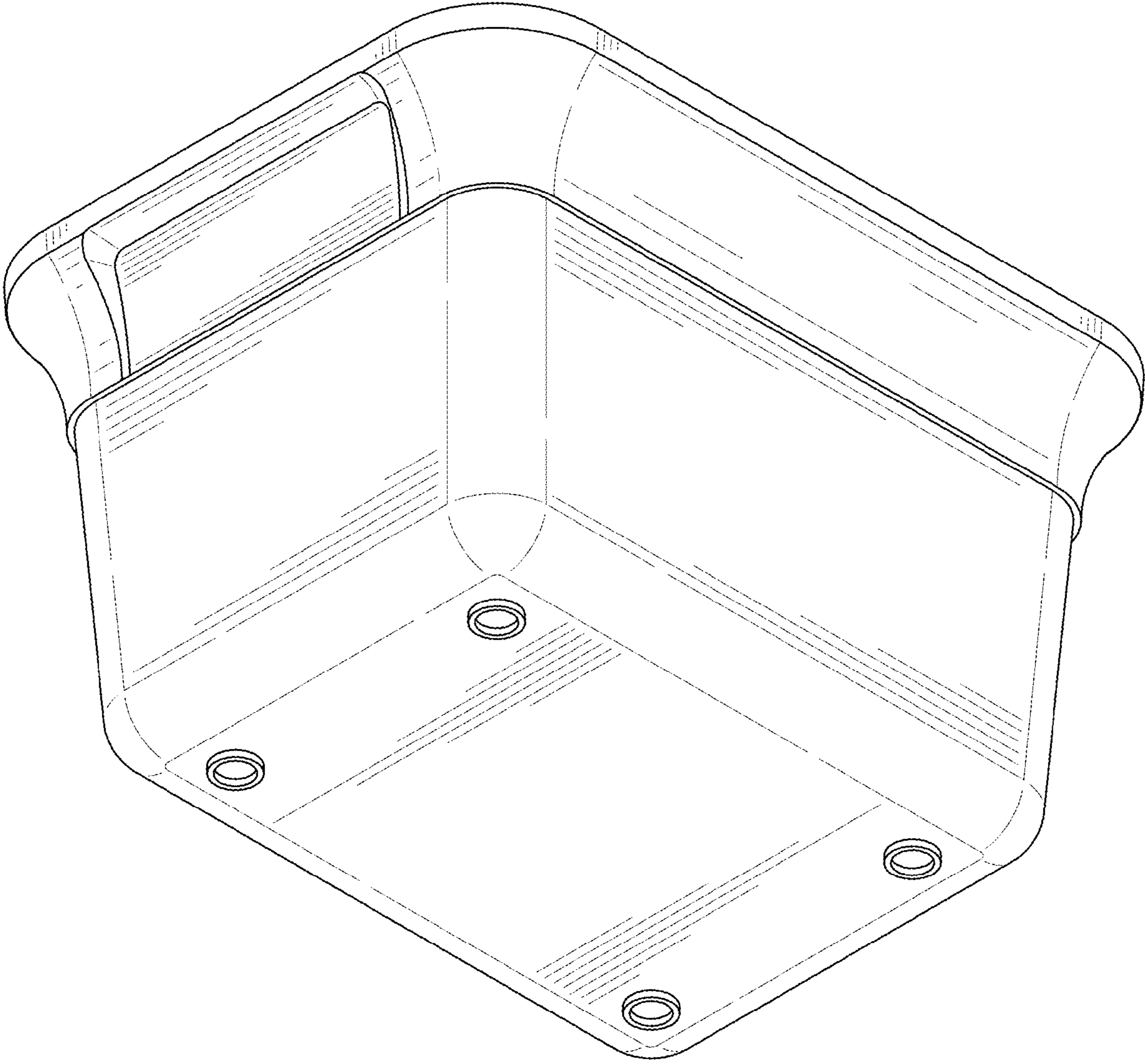


FIG. 2

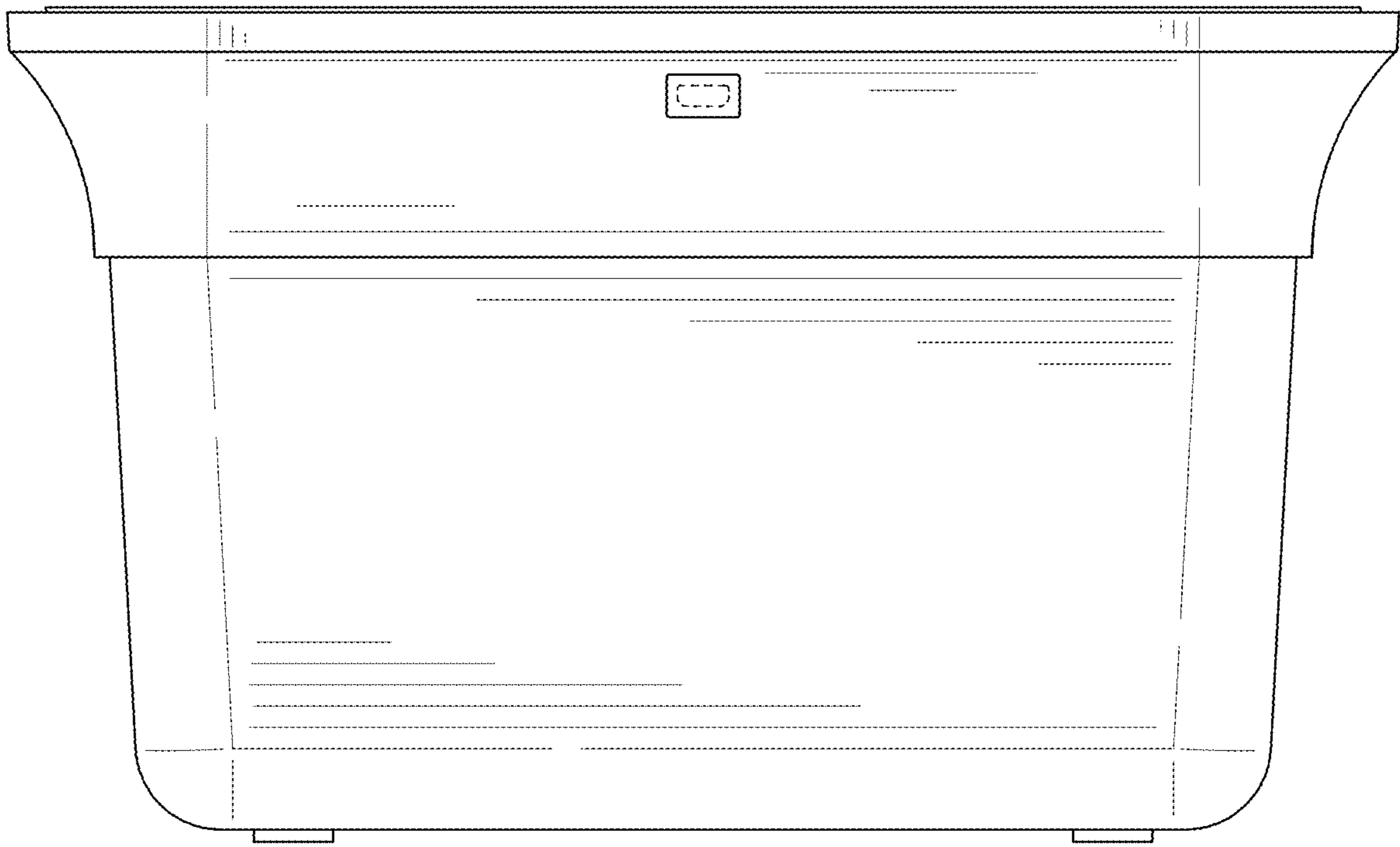


FIG. 3

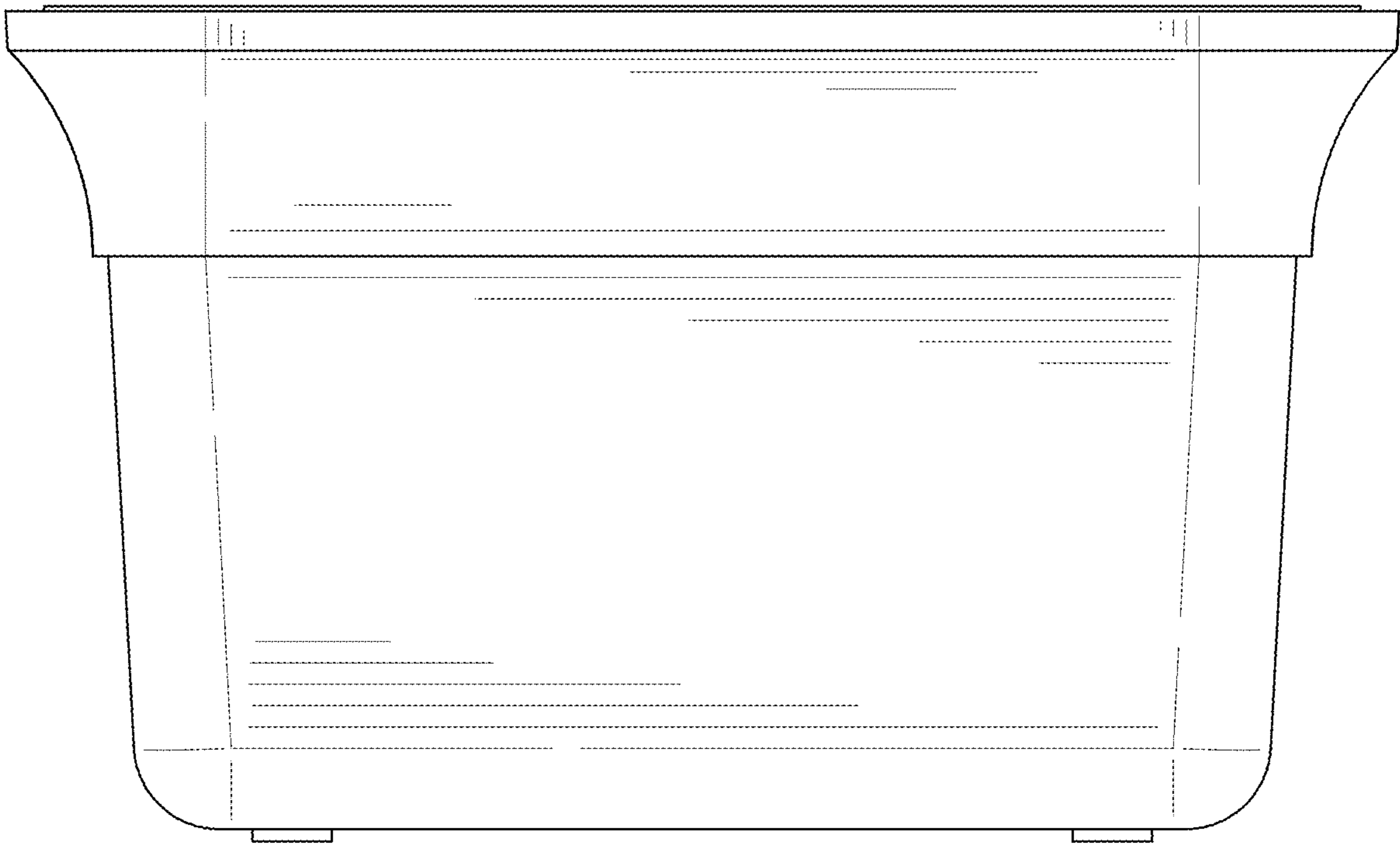


FIG. 4

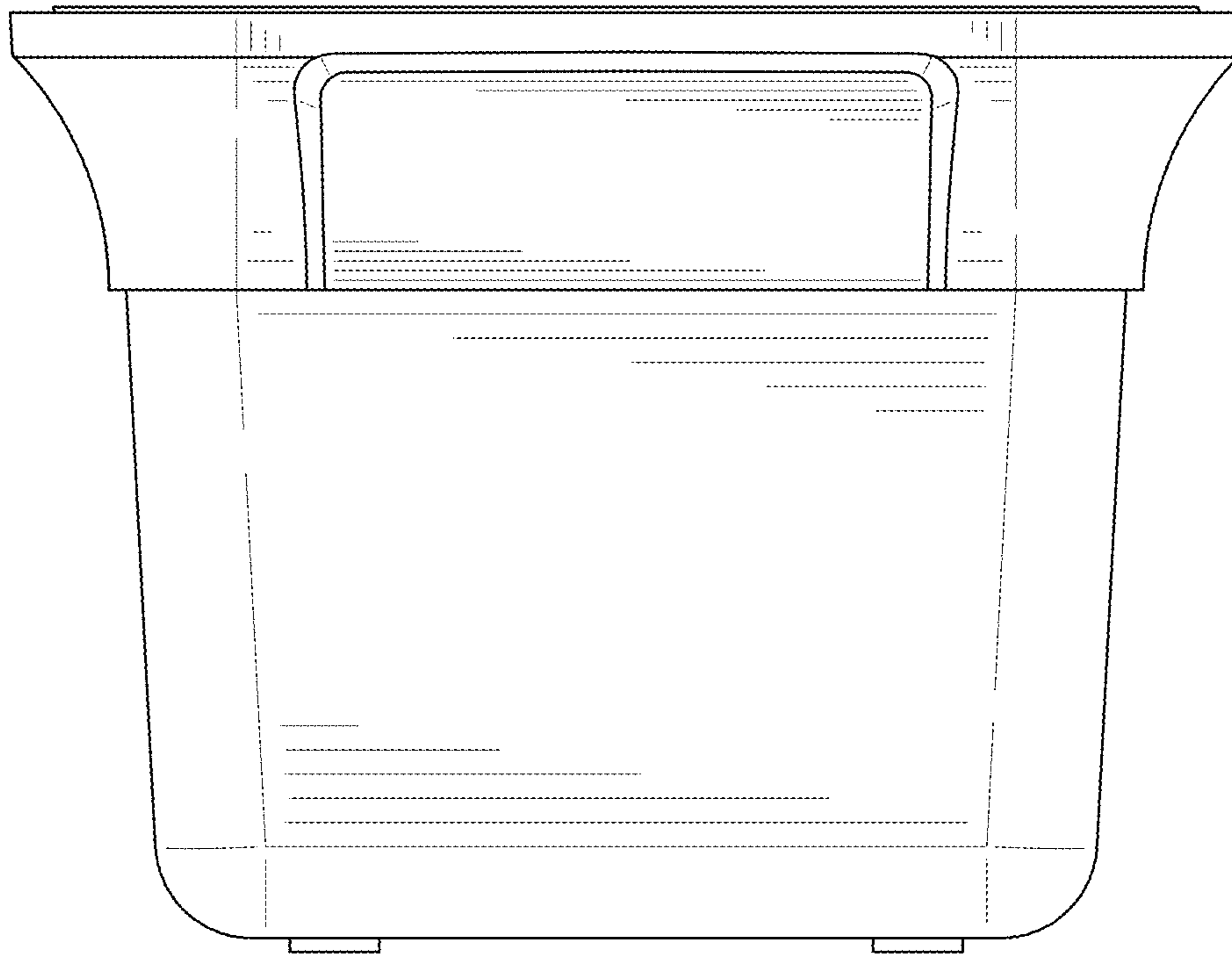


FIG. 5

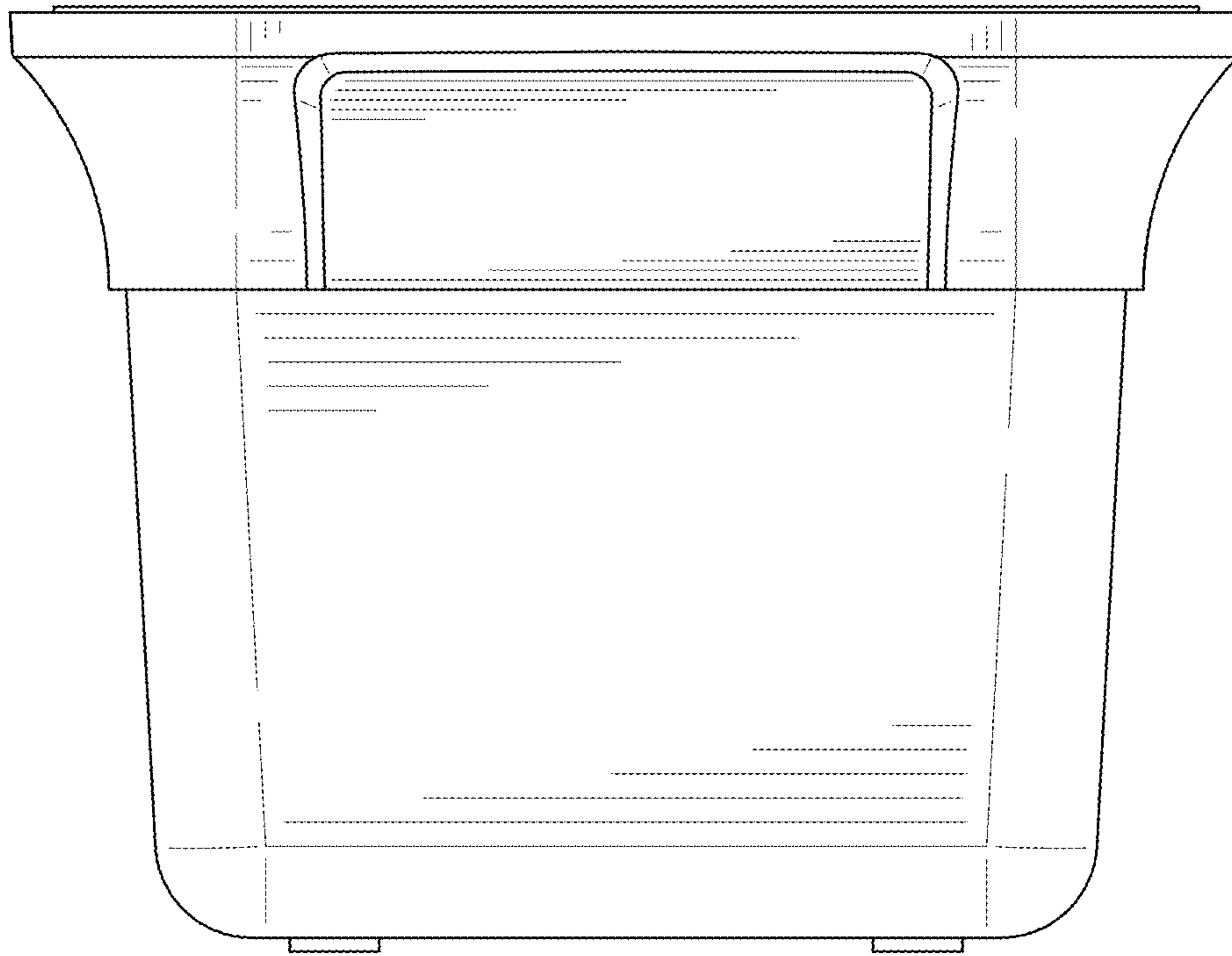


FIG. 6

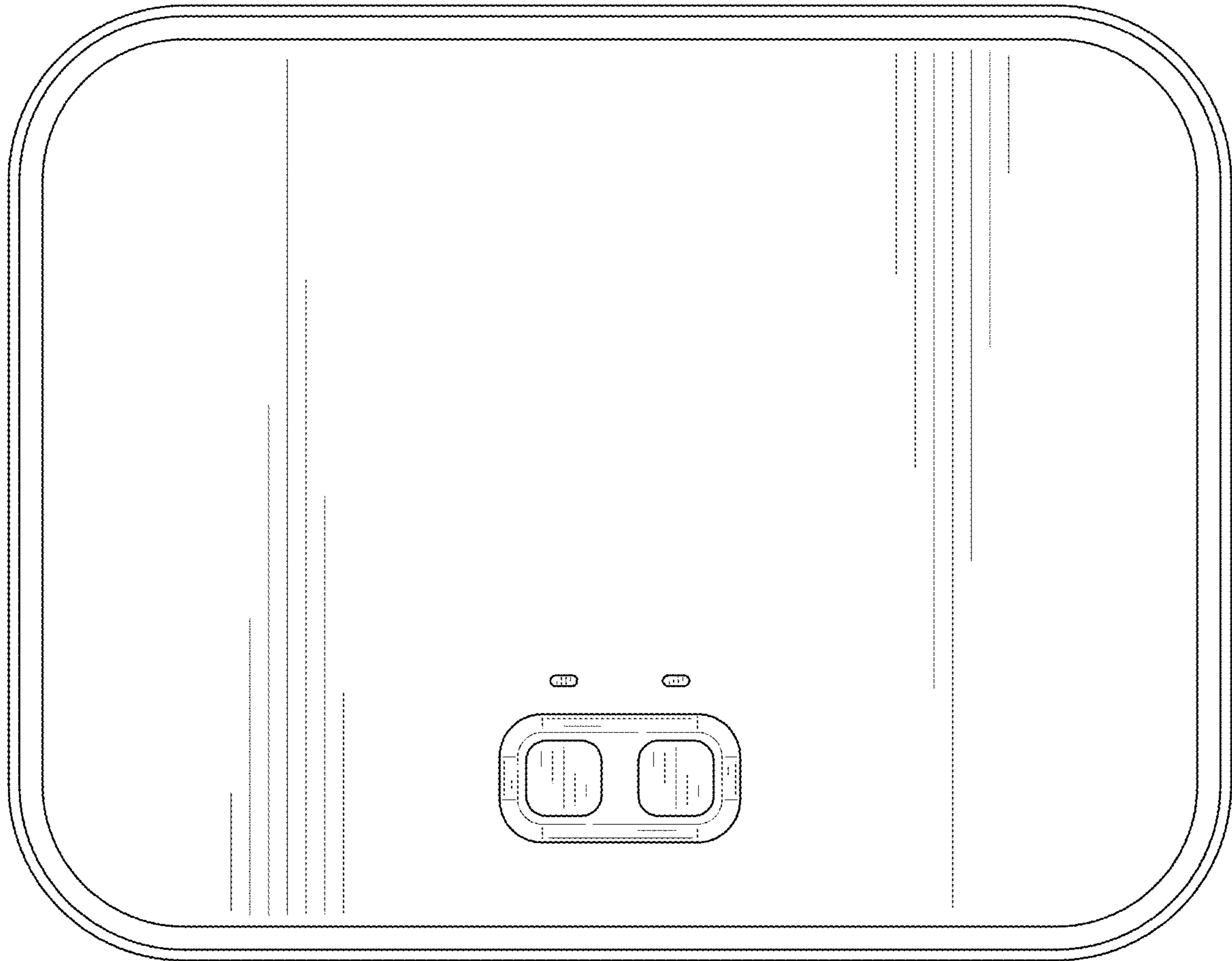


FIG. 7



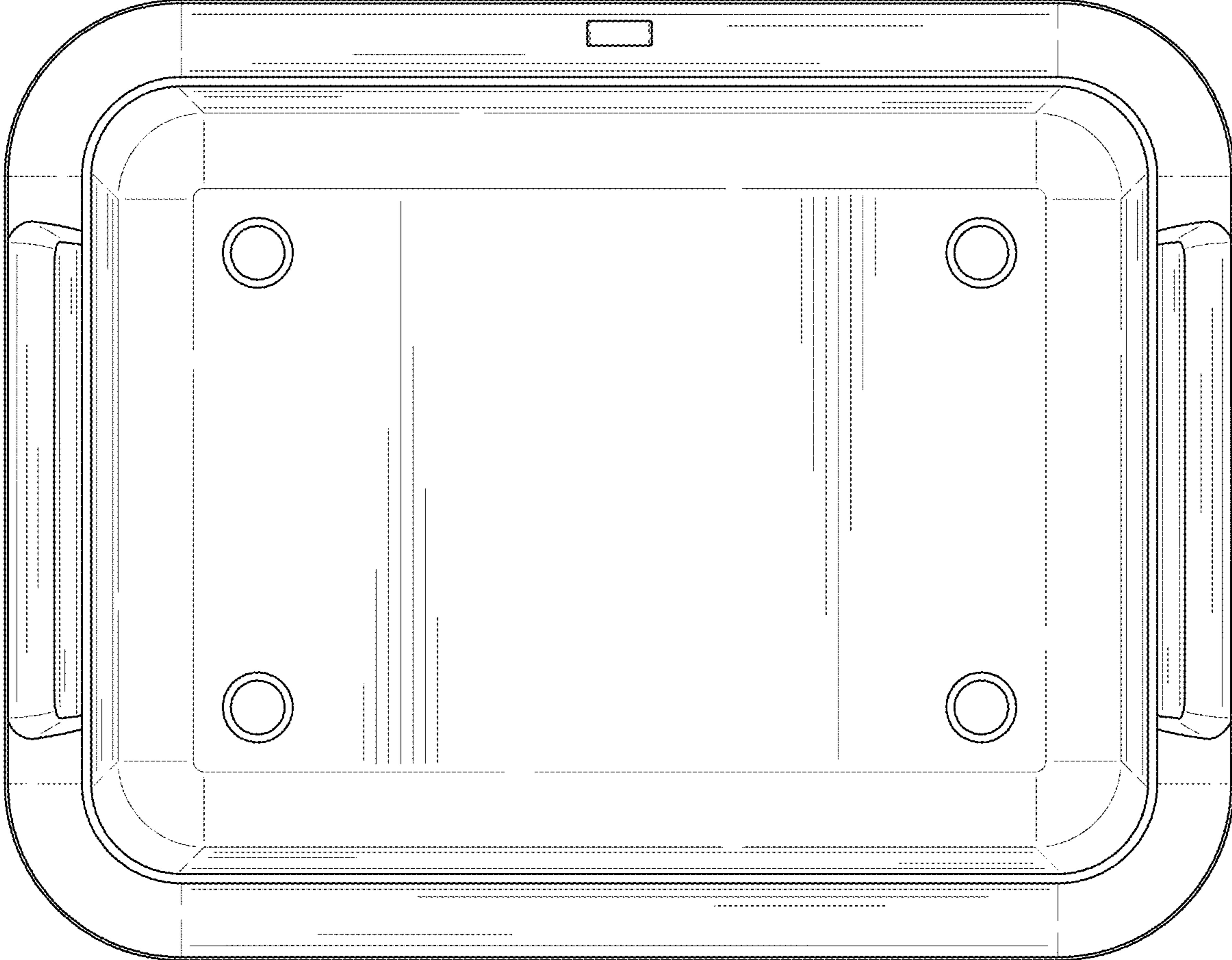


FIG. 8