



US00D979344S

(12) **United States Design Patent** (10) **Patent No.:** **US D979,344 S**  
**Xie** (45) **Date of Patent:** **\*\* Feb. 28, 2023**

(54) **CAKE STAND**  
(71) Applicant: **Xiamen Yinian Tongda Technology Co., Ltd., Xiamen (CN)**  
(72) Inventor: **Jingbin Xie, Quanzhou (CN)**  
(\*\*) Term: **15 Years**  
(21) Appl. No.: **29/858,311**  
(22) Filed: **Oct. 31, 2022**  
(51) **LOC (14) Cl.** ..... **07-07**  
(52) **U.S. Cl.**  
USPC ..... **D7/610**  
(58) **Field of Classification Search**  
USPC ..... D7/550.1, 554.1, 554.2, 554.4, 558, 560, D7/565, 584, 585, 586, 588, 602, 610, D7/396.1, 396.6; D6/685-687, 692, D6/692.1-692.6, 707, 707.2, 708.17, D6/708.2  
CPC ..... A47G 2400/061; A47B 7/00; A47B 11/00; A47B 13/08; A47B 13/083; A47B 13/14  
See application file for complete search history.

D871,857 S 1/2020 Carey  
D883,036 S 5/2020 Liao  
D898,406 S \* 10/2020 Lawson ..... D6/405  
D920,049 S 5/2021 Huang  
D944,303 S \* 2/2022 Ohno ..... D15/199  
D959,917 S 8/2022 Huang  
D964,814 S 9/2022 Liao  
D972,369 S \* 12/2022 Cheng ..... D7/552.2

**OTHER PUBLICATIONS**

Vivevol Cake Stand | posted at Amazon.com, posted on Apr. 13, 2022, © 1996-2022 Amazon.com, [online], [site visited Dec. 17, 2022]. Available from Internet, <URL: https://www.amazon.com/dp/B09XR7RSX2/> (Year: 2022).\*

\* cited by examiner

*Primary Examiner* — Andrew Kerr  
(74) *Attorney, Agent, or Firm* — Rumit Ranjit Kanakia

(57) **CLAIM**

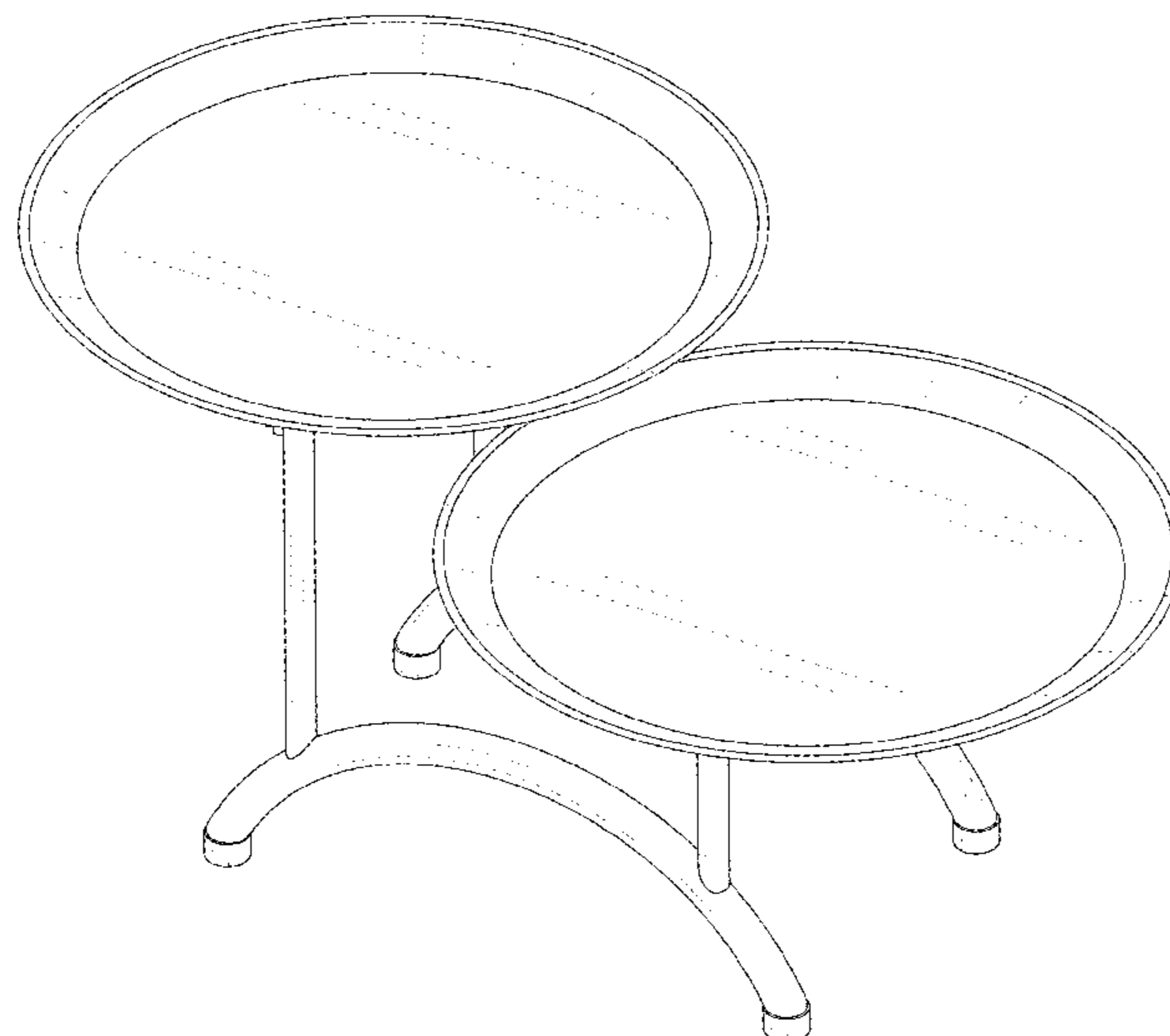
The ornamental design for a cake stand, as shown and described.

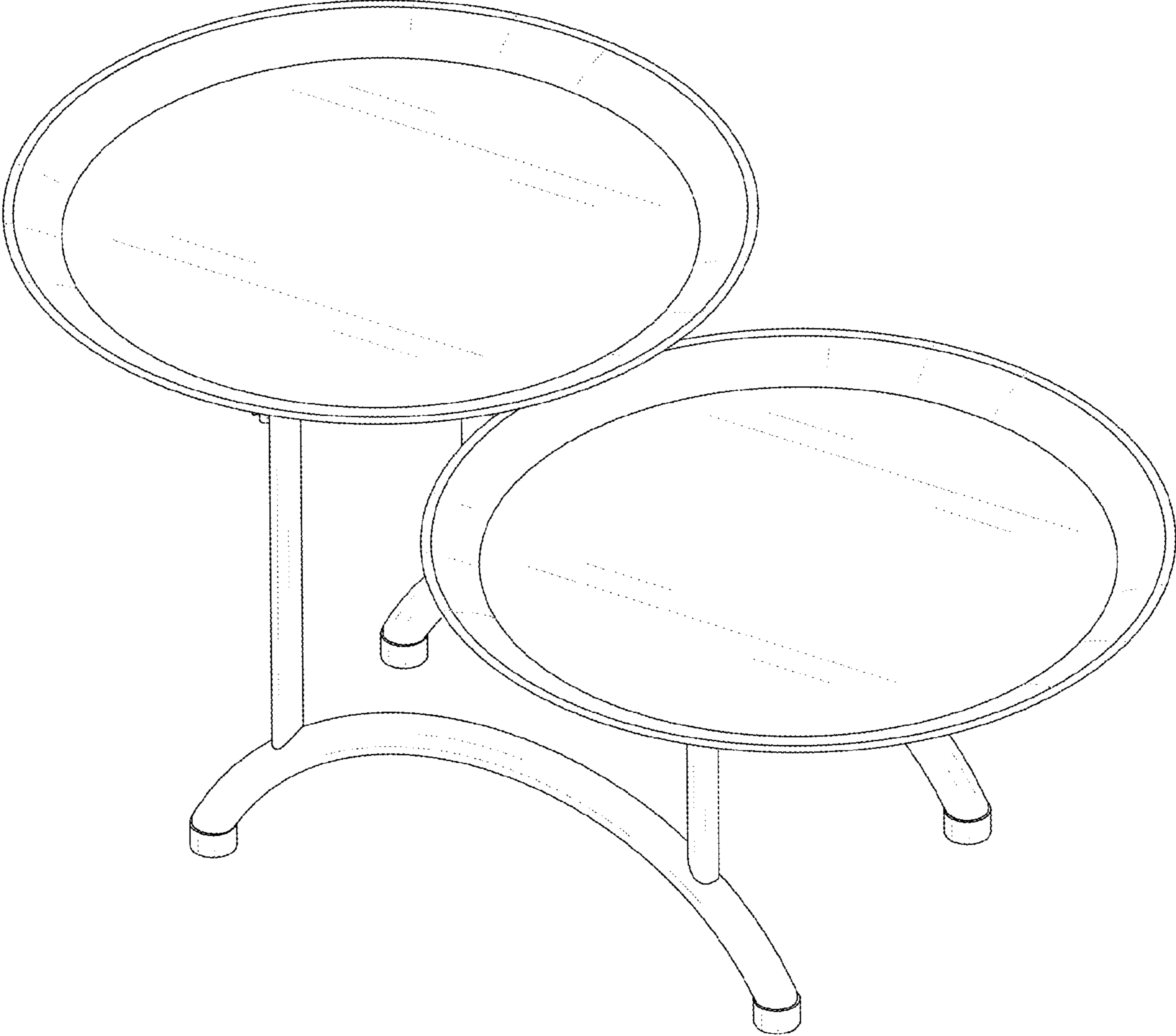
**DESCRIPTION**

FIG. 1 is a top perspective view of a cake stand showing my new design;  
FIG. 2 is a bottom perspective view thereof;  
FIG. 3 is a front elevational view thereof;  
FIG. 4 is a rear elevational view thereof;  
FIG. 5 is a left side elevation view thereof;  
FIG. 6 is a right side elevation view thereof;  
FIG. 7 is a top plan view thereof;  
FIG. 8 is a bottom plan view thereof;  
FIG. 9 is an enlarged view of area 9 in FIG. 2;  
FIG. 10 is an enlarged view of area 10 in FIG. 2;  
FIG. 11 is an enlarged view of area 11 in FIG. 3;  
FIG. 12 is an enlarged view of area 12 in FIG. 5; and,  
FIG. 13 is a top perspective view of the cake stand in a detached state.

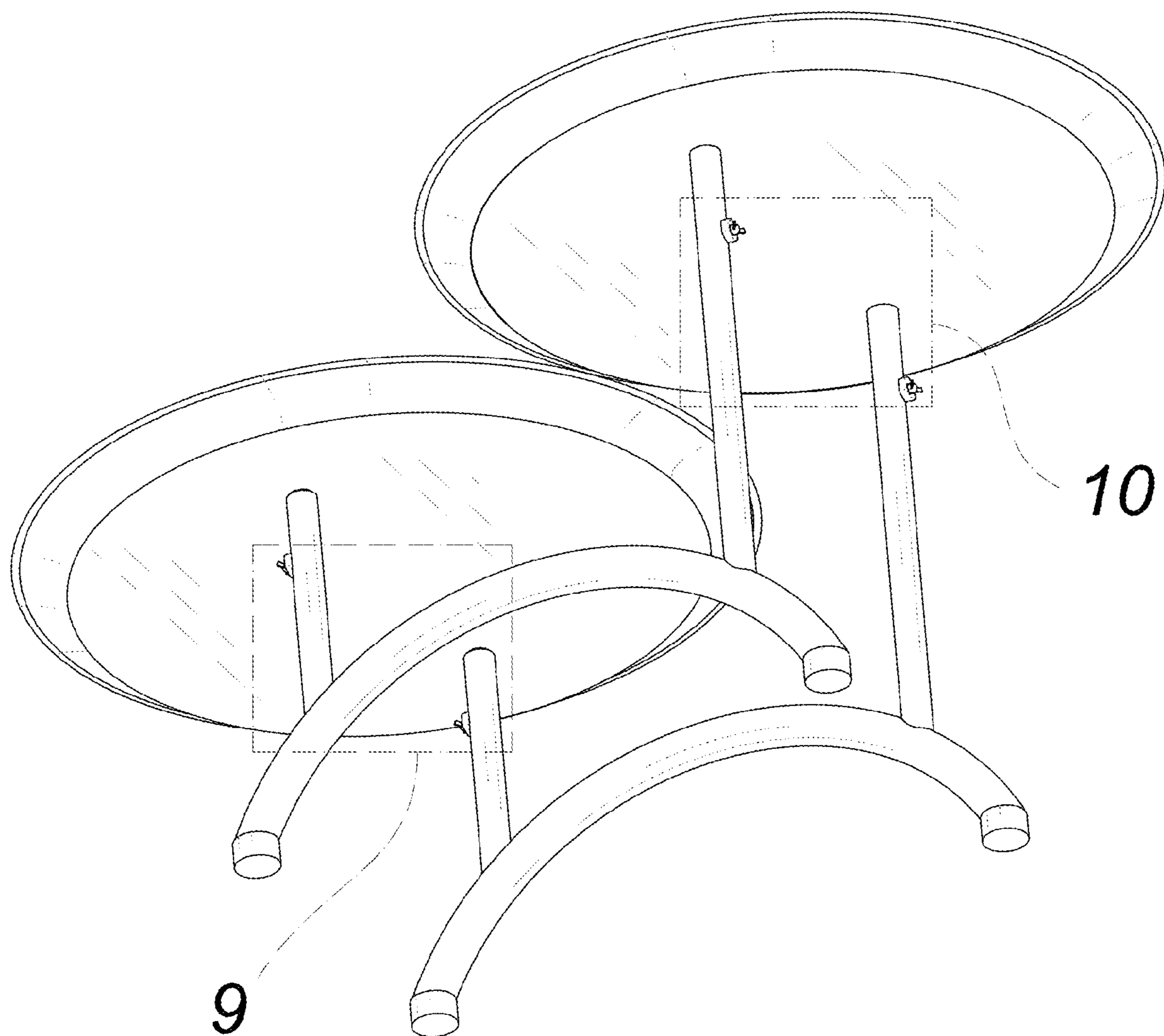
**1 Claim, 8 Drawing Sheets**

(56) **References Cited**  
U.S. PATENT DOCUMENTS  
D284,336 S \* 6/1986 Berry, Jr. .... D6/687  
D299,092 S \* 12/1988 Leolli ..... D6/677.3  
D357,160 S \* 4/1995 Fritze ..... D7/610  
D372,810 S \* 8/1996 Hardy ..... D26/9  
D413,046 S 8/1999 Fritze  
D487,652 S \* 3/2004 Reimonenq ..... D7/610  
D509,410 S \* 9/2005 Koeppe ..... D7/559  
D571,575 S \* 6/2008 Hunter ..... D6/677.1  
D574,166 S \* 8/2008 Kaisler ..... D6/681.3  
D636,637 S 4/2011 Lupkes  
D658,011 S 4/2012 Goode  
D664,010 S 7/2012 Goode  
D689,742 S 9/2013 Goodchild  
D697,341 S \* 1/2014 Fakahany ..... D6/677.3  
8,813,661 B2 \* 8/2014 Fakahany ..... A47B 87/0246  
108/92

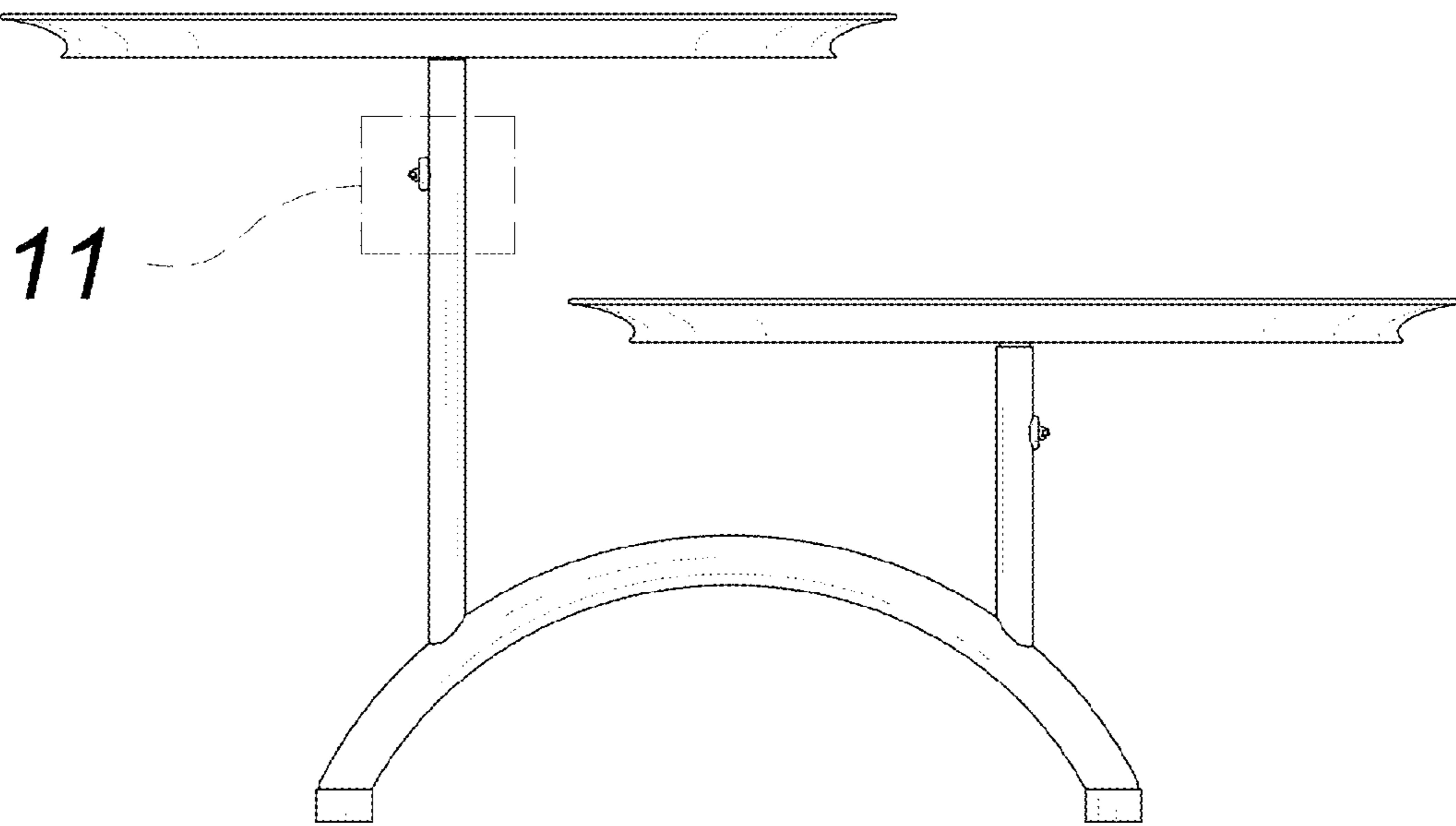




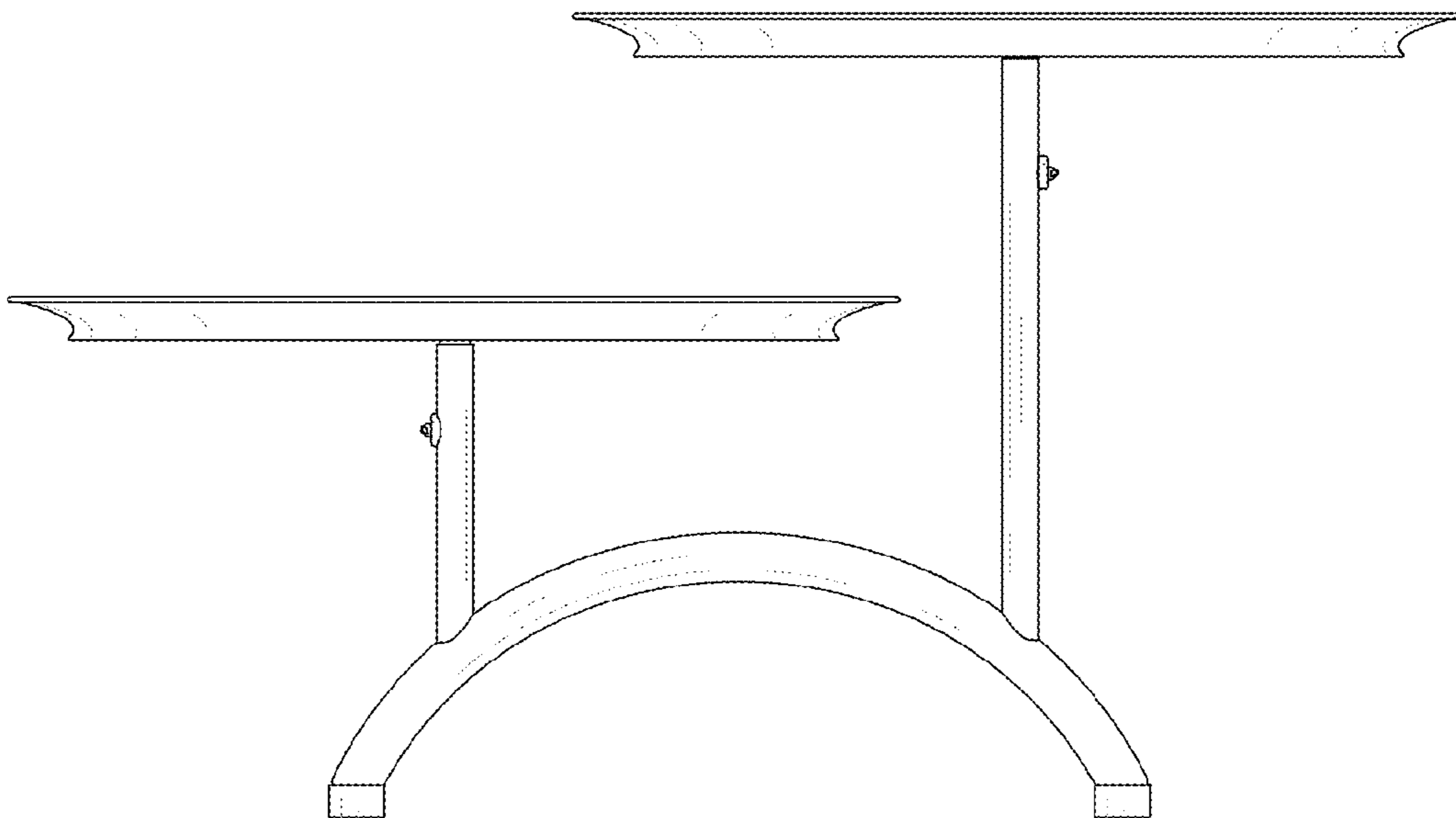
**FIG. 1**



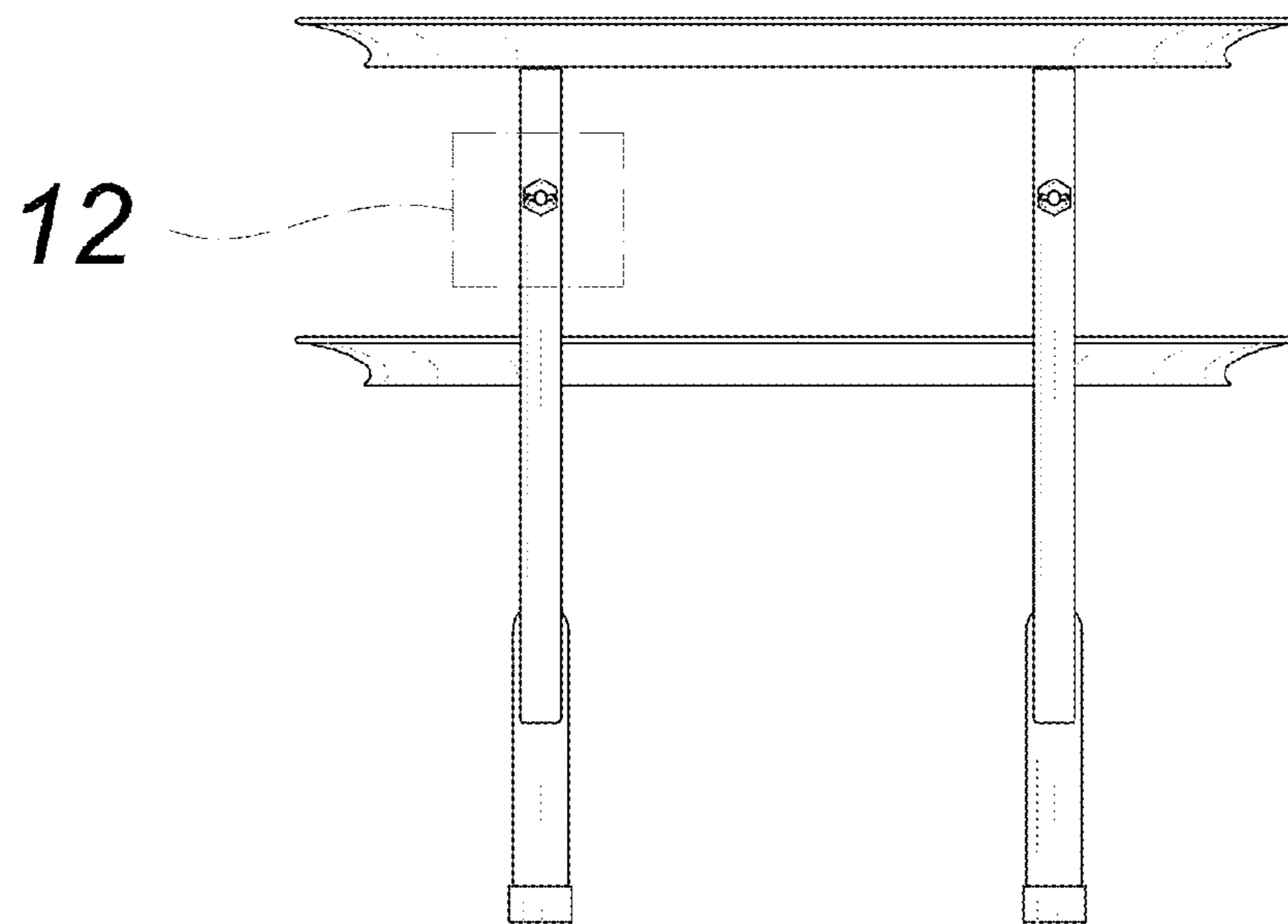
**FIG. 2**



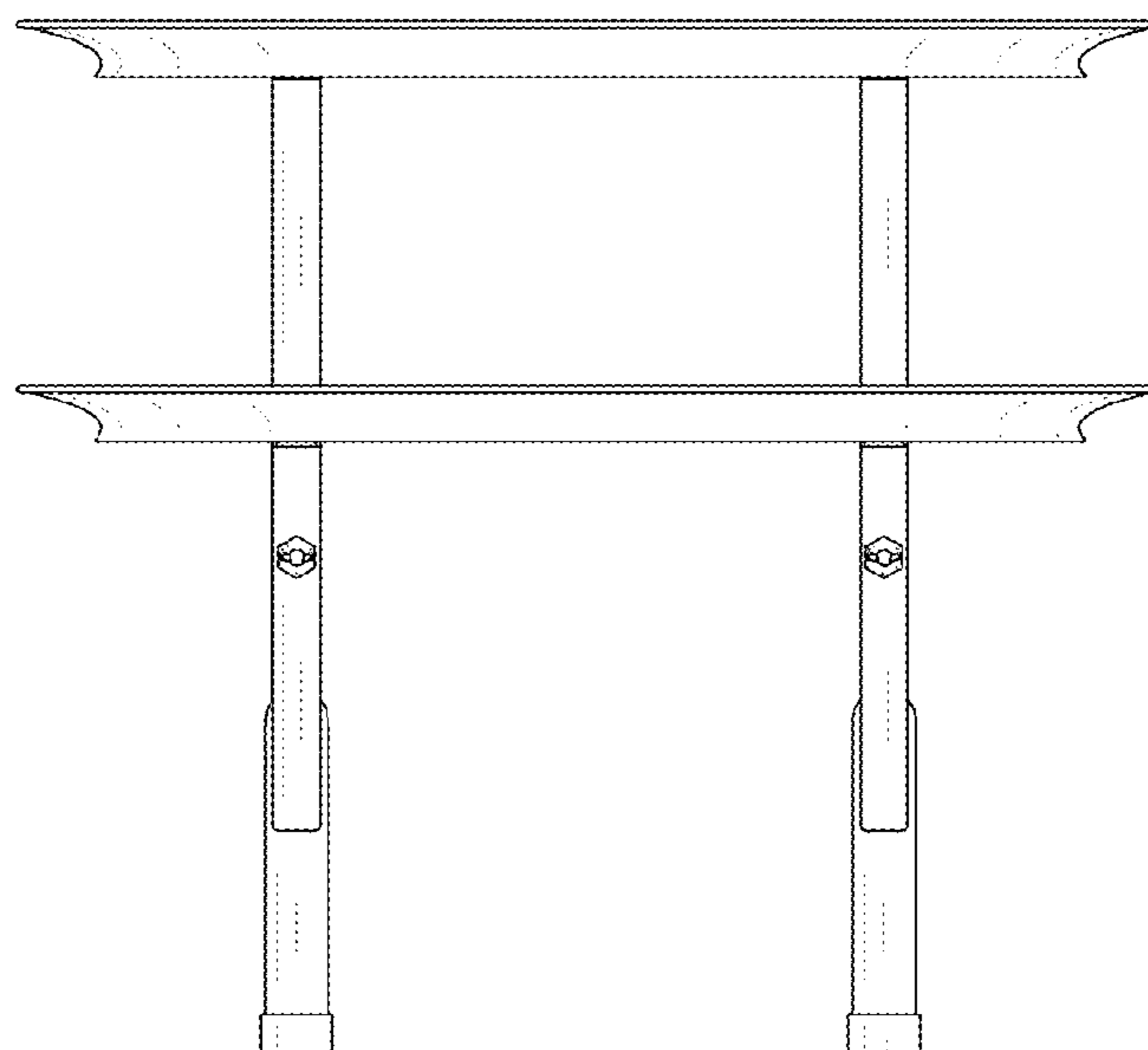
**FIG. 3**



**FIG. 4**

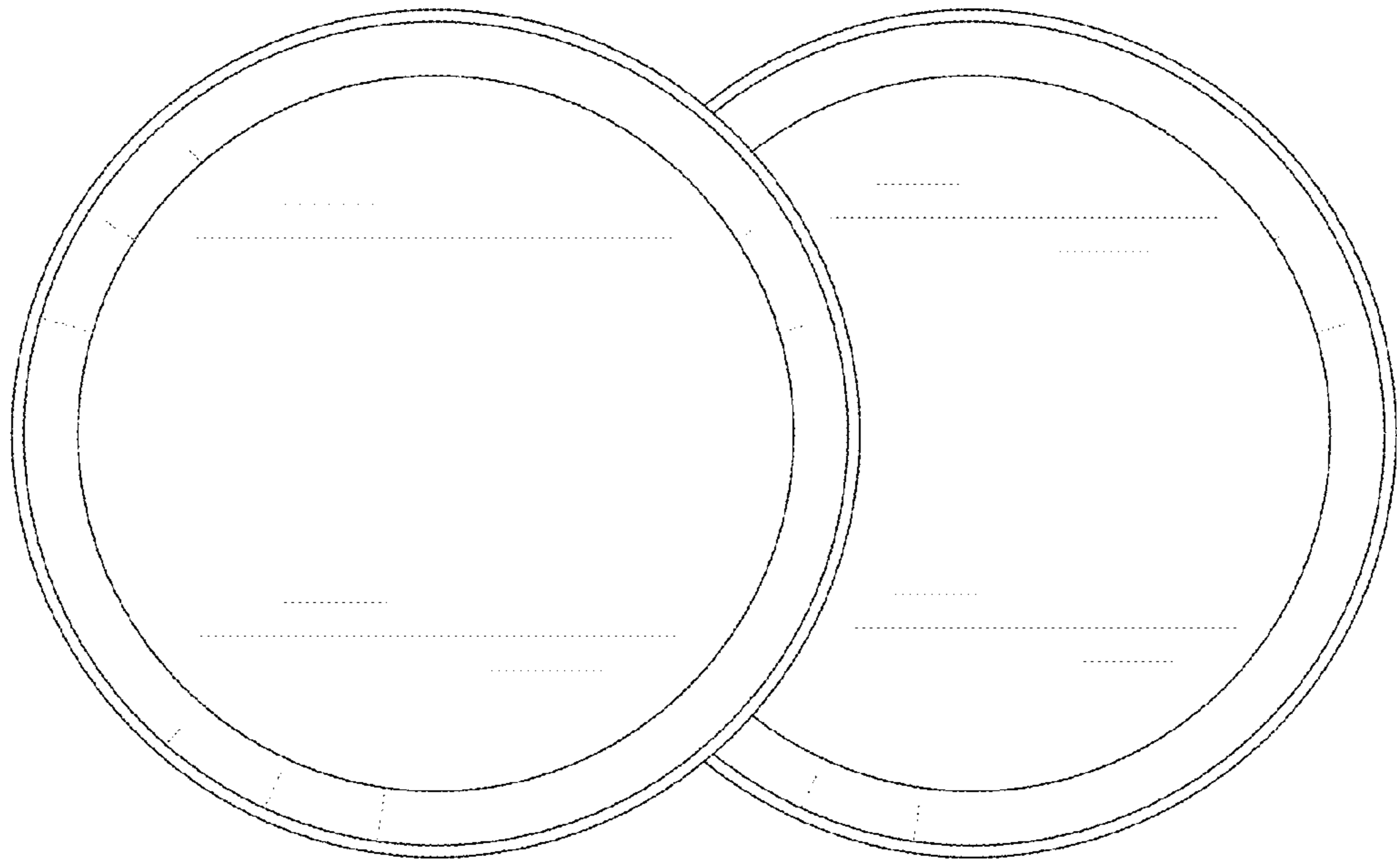


**FIG. 5**

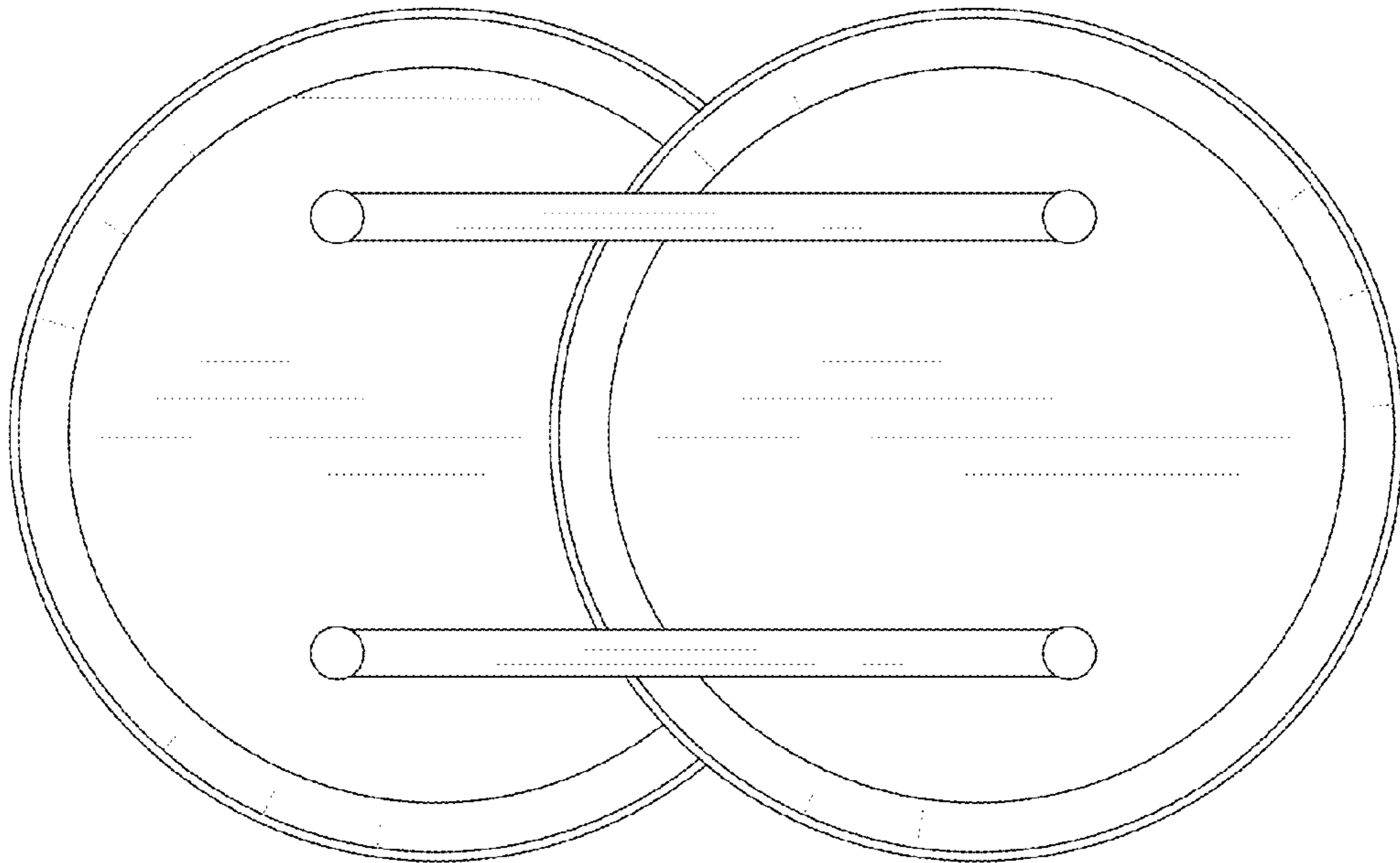


**FIG. 6**

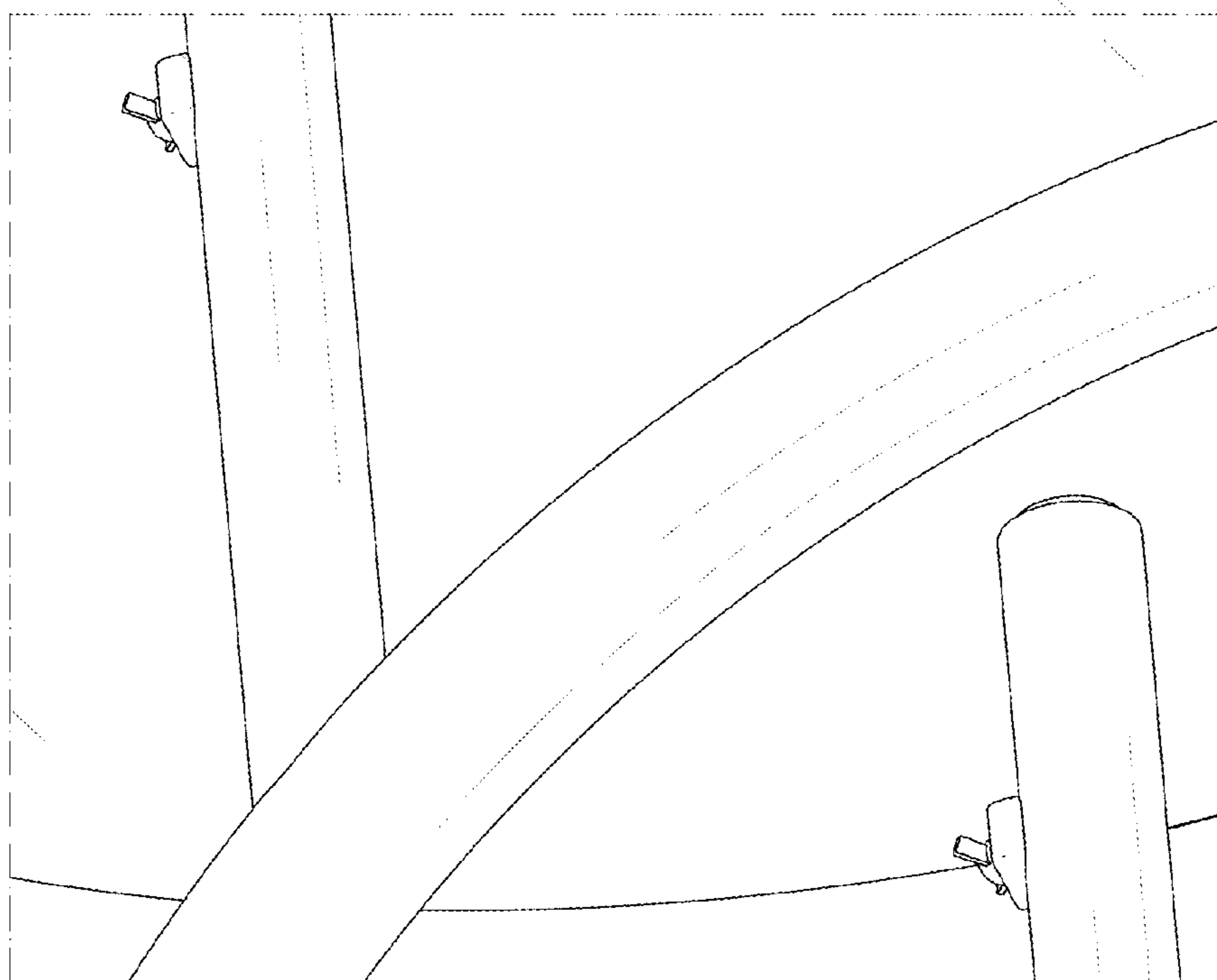




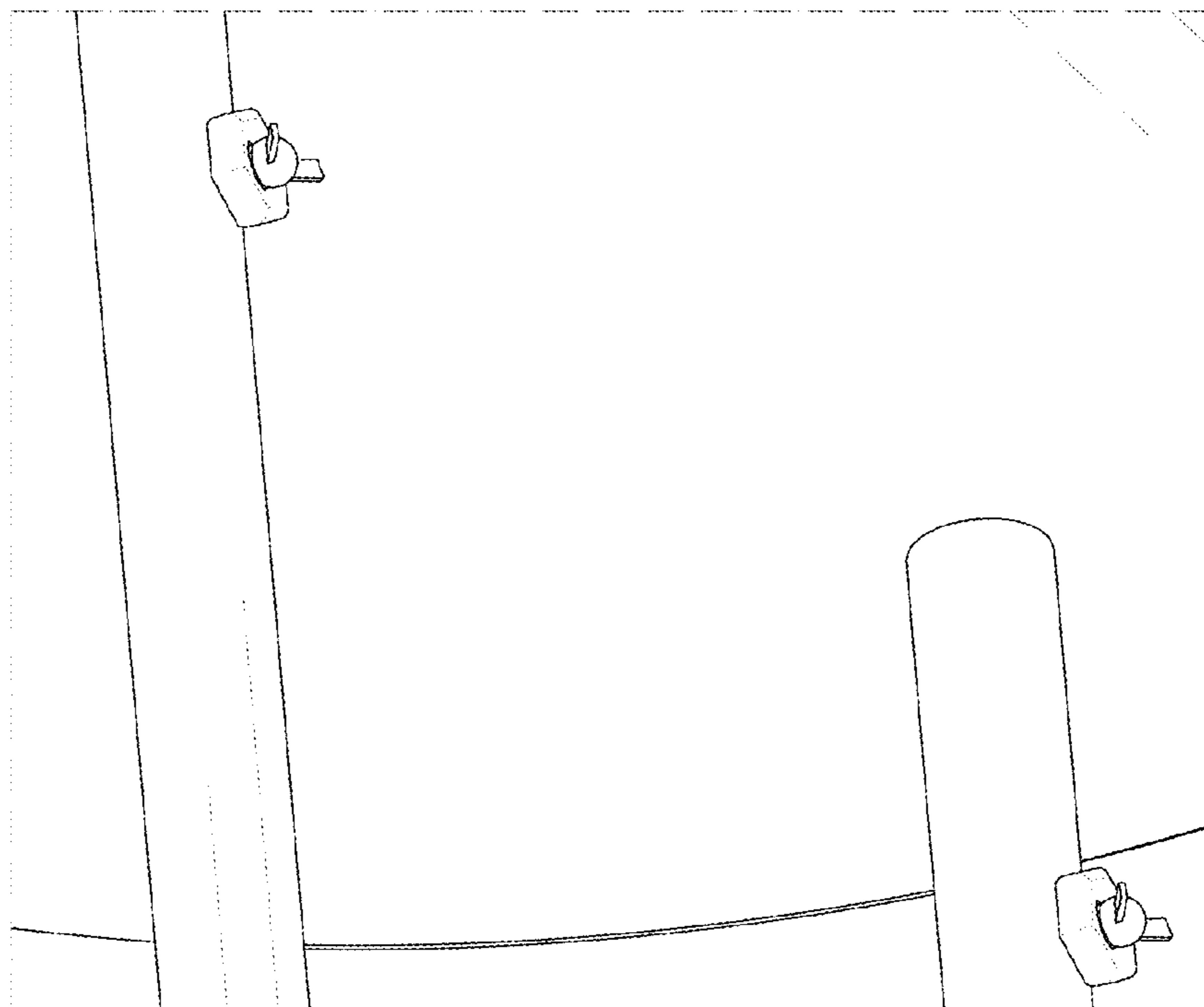
**FIG. 7**



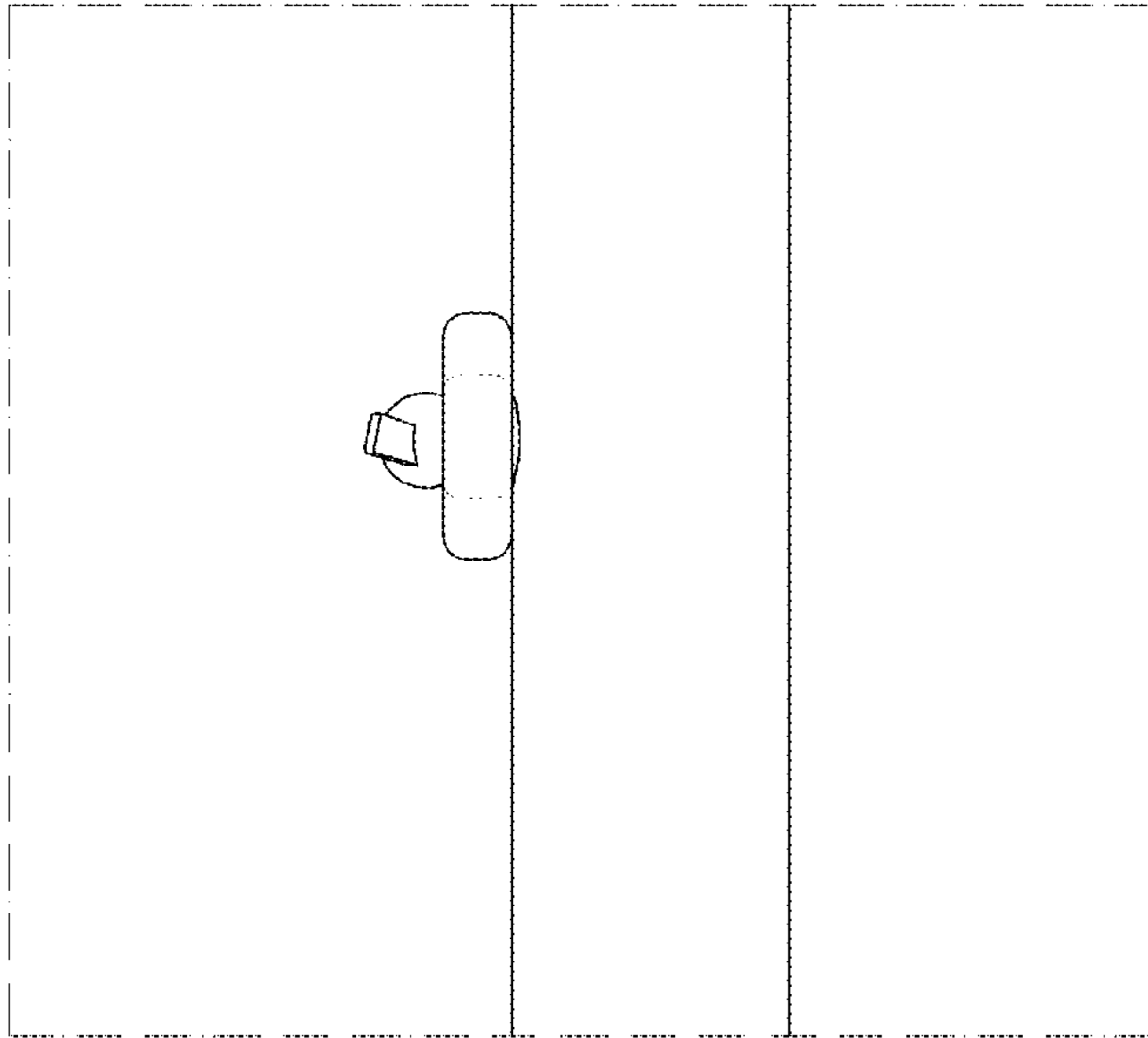
**FIG. 8**



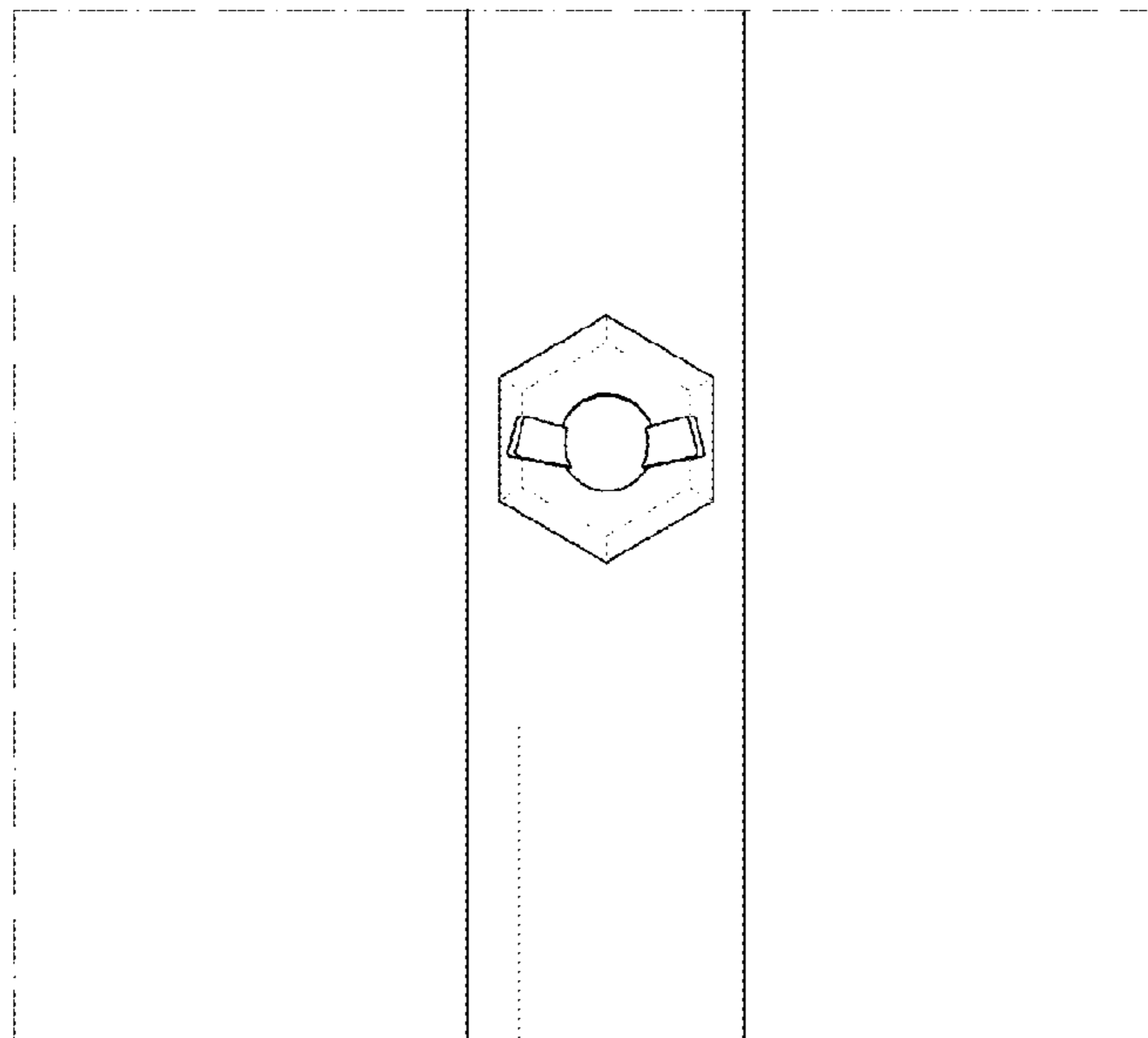
**FIG. 9**



**FIG. 10**

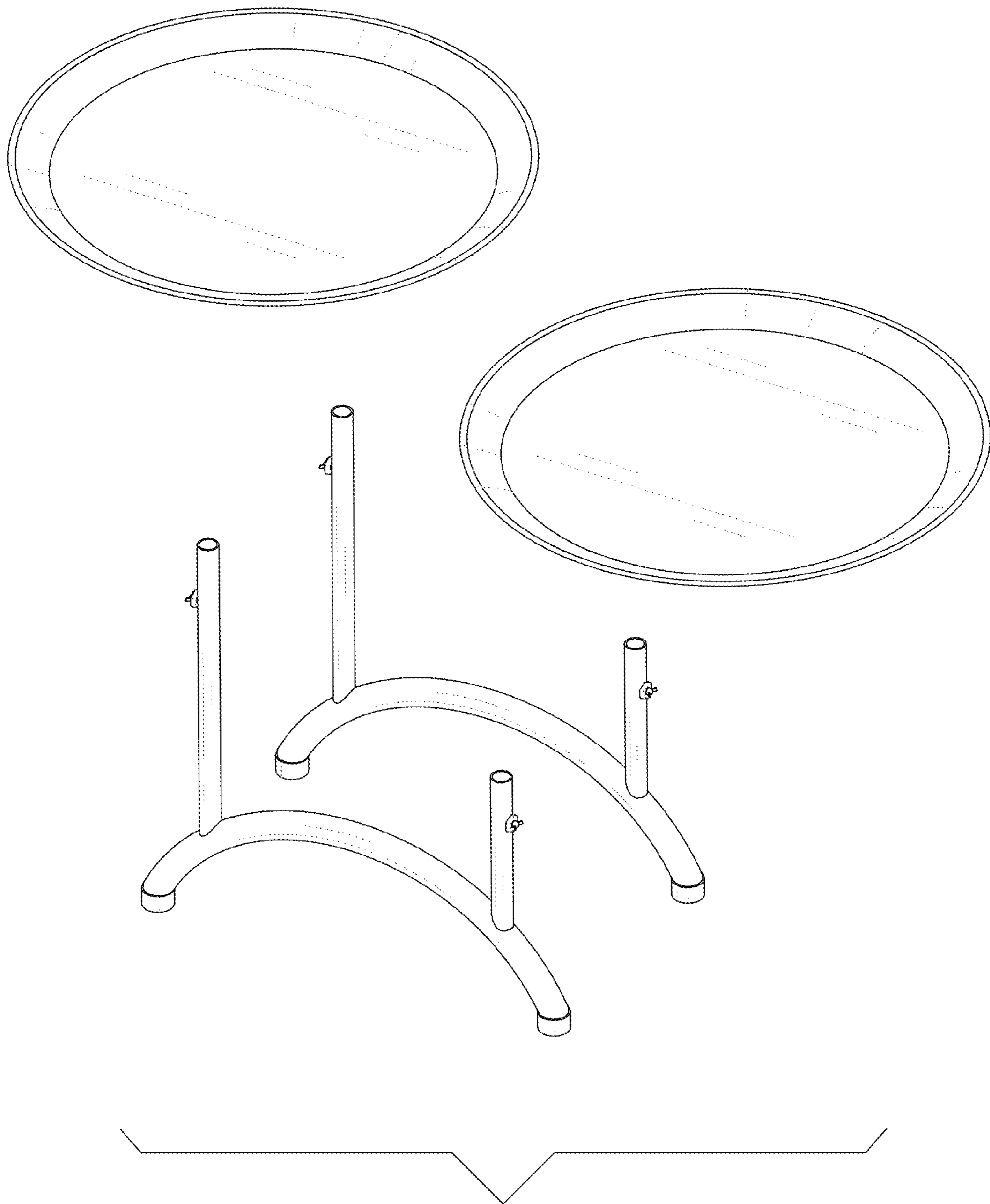


**FIG. 11**



**FIG. 12**





**FIG. 13**