



US00D979343S

(12) **United States Design Patent** (10) **Patent No.:** **US D979,343 S**  
**Minibaev et al.** (45) **Date of Patent:** **\*\* Feb. 28, 2023**

(54) **VACUUM CONTAINER**  
(71) Applicant: **FreshKeep Ltd**, Tel Aviv (IL)  
(72) Inventors: **Anna Minibaev**, Tel Aviv (IL); **Jenny Pokryvailo**, Tel Aviv (IL); **Klil Horesh Farhi Dekel**, Tel Aviv (IL)

D779,287 S \* 2/2017 Baker ..... D7/629  
D830,791 S \* 10/2018 Lee ..... D7/629  
D834,377 S \* 11/2018 Zoske ..... D7/629  
D862,176 S \* 10/2019 Yu ..... D7/602  
D880,248 S \* 4/2020 Zhen ..... D7/602  
D902,712 S \* 11/2020 Kleiner ..... D9/438  
2005/0127071 A1\* 6/2005 Khor ..... B65D 45/20  
220/4.28

(73) Assignee: **FreshKeep Ltd**, Tel Aviv (IL)

\* cited by examiner

(\*\*) Term: **15 Years**

*Primary Examiner* — Andrew Kerr

(21) Appl. No.: **29/711,616**

(74) *Attorney, Agent, or Firm* — Paul D. Bianco; Fleit Intellectual Property Law

(22) Filed: **Nov. 1, 2019**

(57) **CLAIM**

(51) **LOC (14) Cl.** ..... **07-09**

The ornamental design for a vacuum container, as shown and described.

(52) **U.S. Cl.**

USPC ..... **D7/602**

(58) **Field of Classification Search**

**DESCRIPTION**

USPC ..... D7/584, 586, 601, 602, 603, 605, 612,  
D7/615, 629, 630; D9/414, 430, 432,  
D9/434, 435

FIG. 1 is a bottom perspective exploded view of a vacuum container showing our new design;  
FIG. 2 is a first top perspective exploded view thereof;  
FIG. 3 is a second top perspective exploded view thereof;  
FIG. 4 is a bottom plan view thereof;  
FIG. 5 is a front elevation view thereof;  
FIG. 6 is a top perspective view thereof;  
FIG. 7 is a side elevation view thereof;  
FIG. 8 is a top plan view thereof; and,  
FIG. 9 is a top perspective view thereof in use condition.  
The broken lines in the drawings depict portions of the vacuum container that form no part of the claimed design.

CPC ..... B65D 1/00; B65D 11/00; B65D 25/04;  
B65D 5/4295

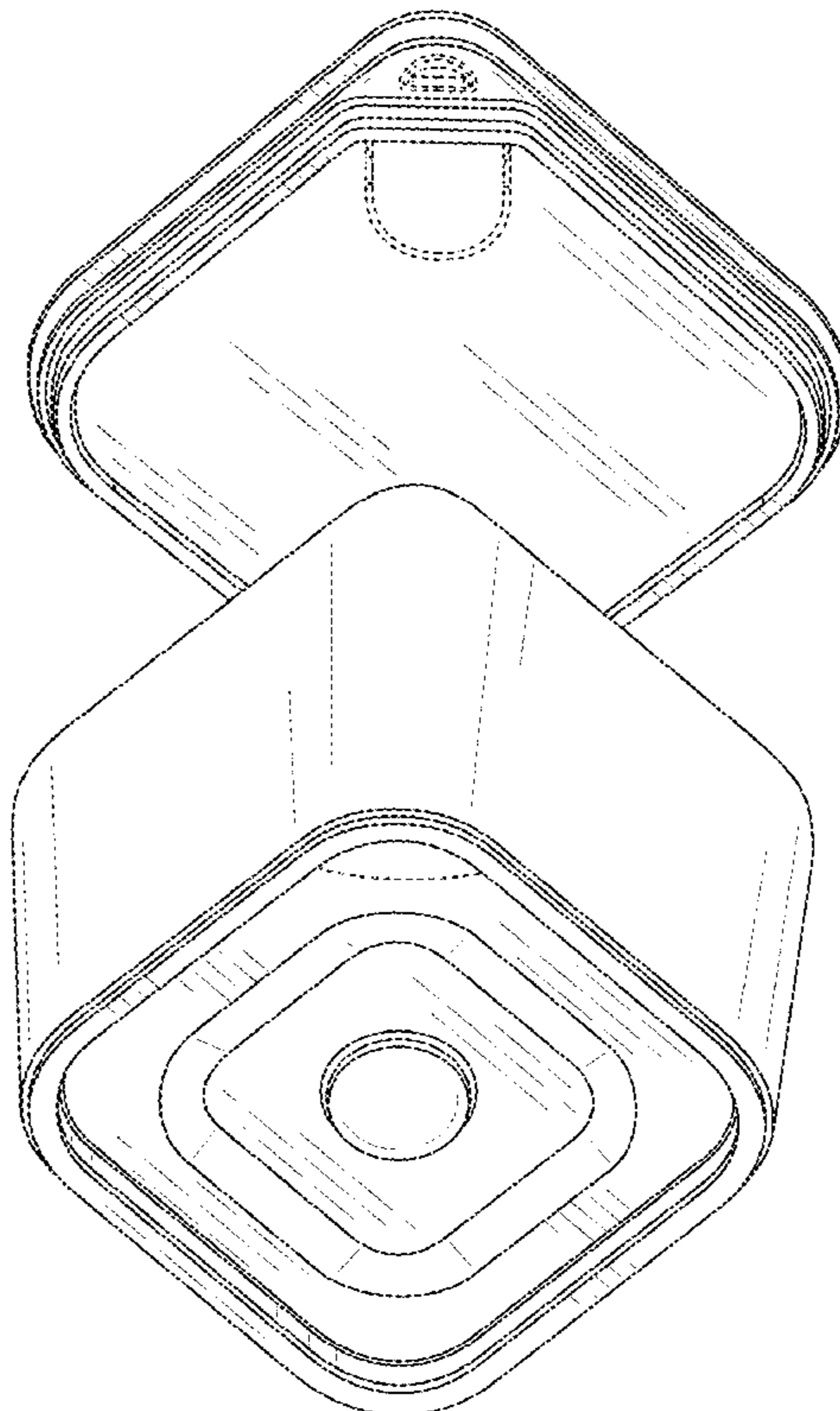
See application file for complete search history.

(56) **References Cited**

**U.S. PATENT DOCUMENTS**

D684,824 S \* 6/2013 Sweet ..... D7/615  
D700,482 S \* 3/2014 Yessin ..... D7/629  
D702,509 S \* 4/2014 Segal ..... D7/629  
D706,084 S \* 6/2014 Manley ..... D7/629  
D759,434 S \* 6/2016 Duvigneau ..... D7/629

**1 Claim, 9 Drawing Sheets**



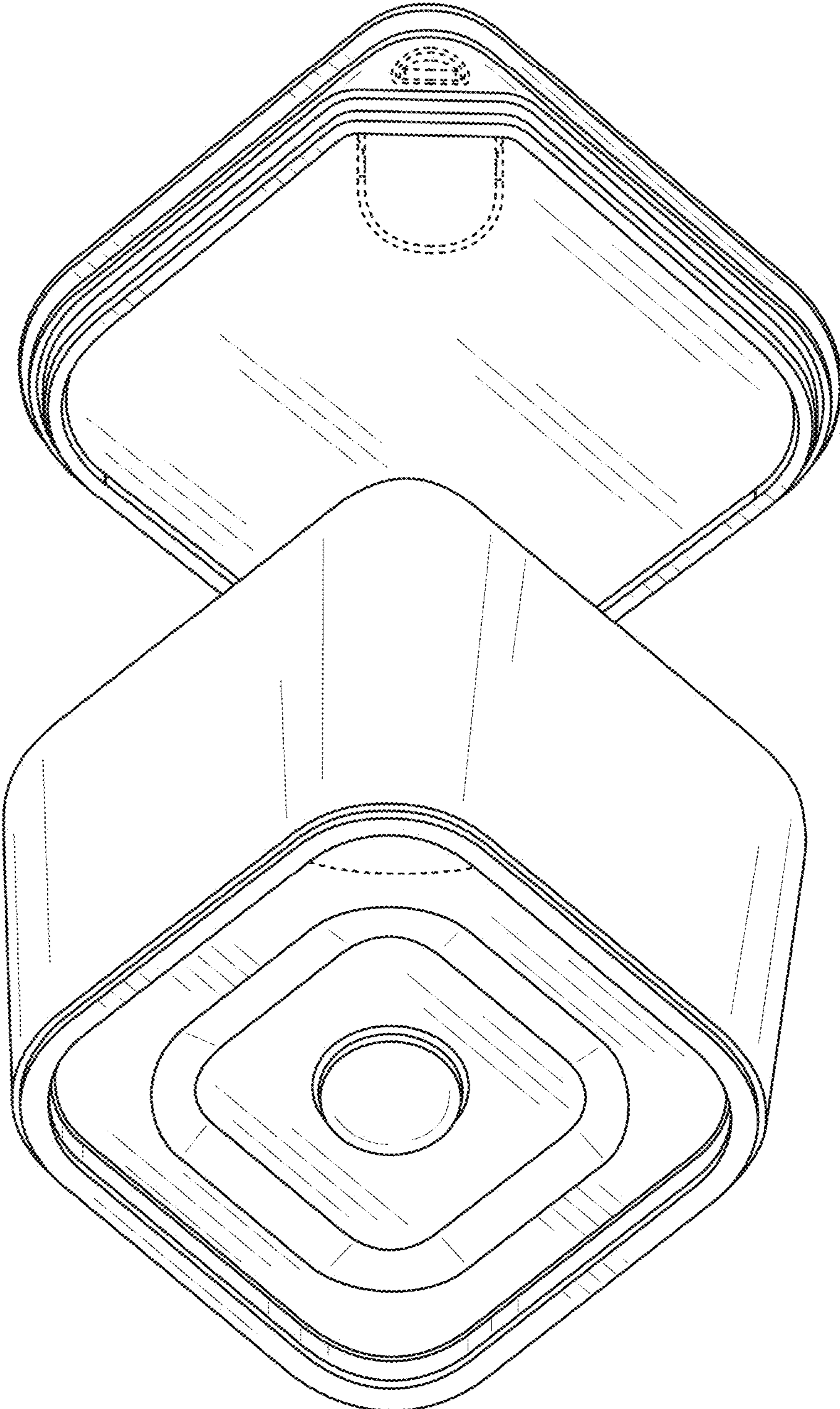
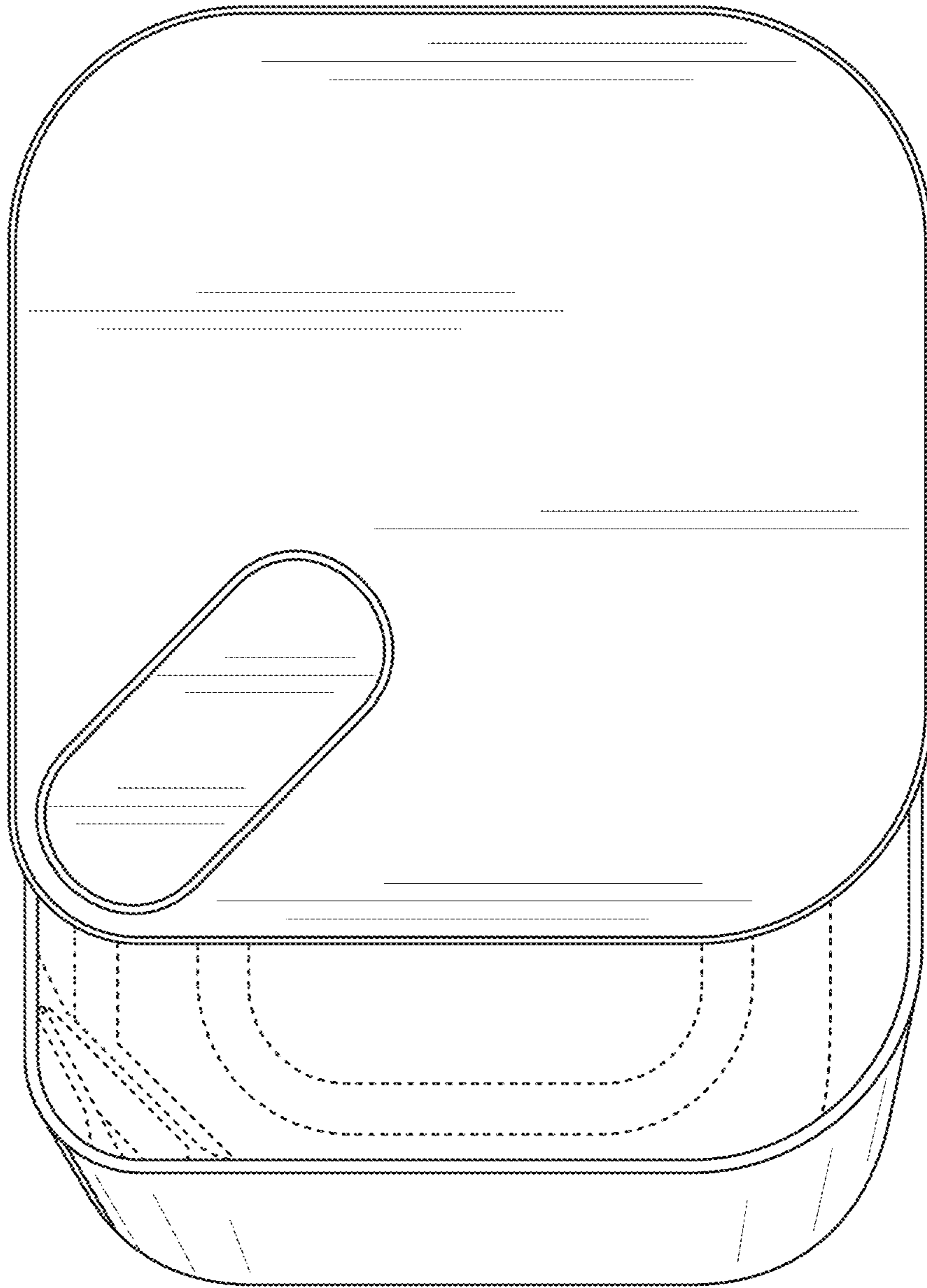


FIG. 1



**FIG. 2**

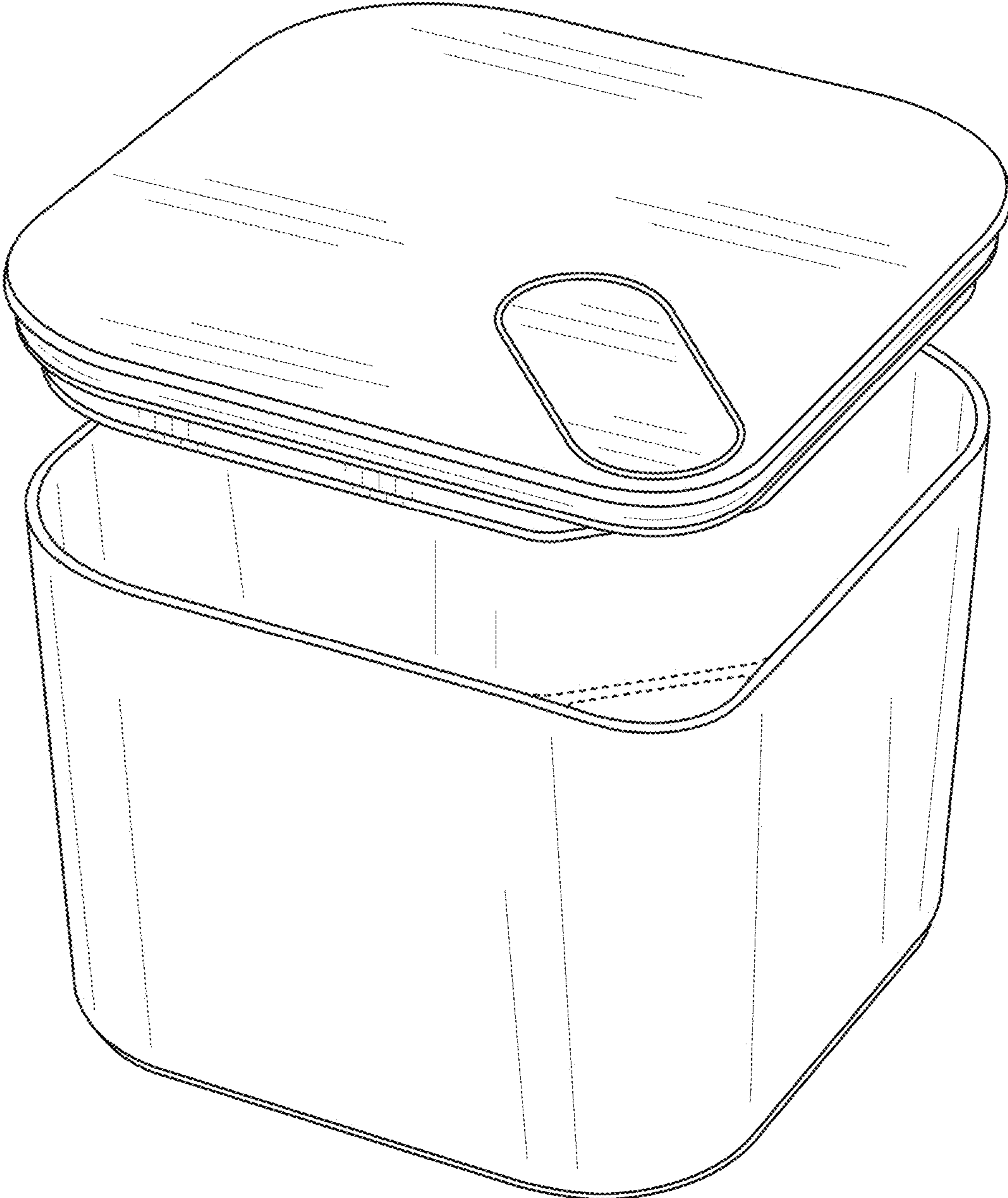


FIG. 3

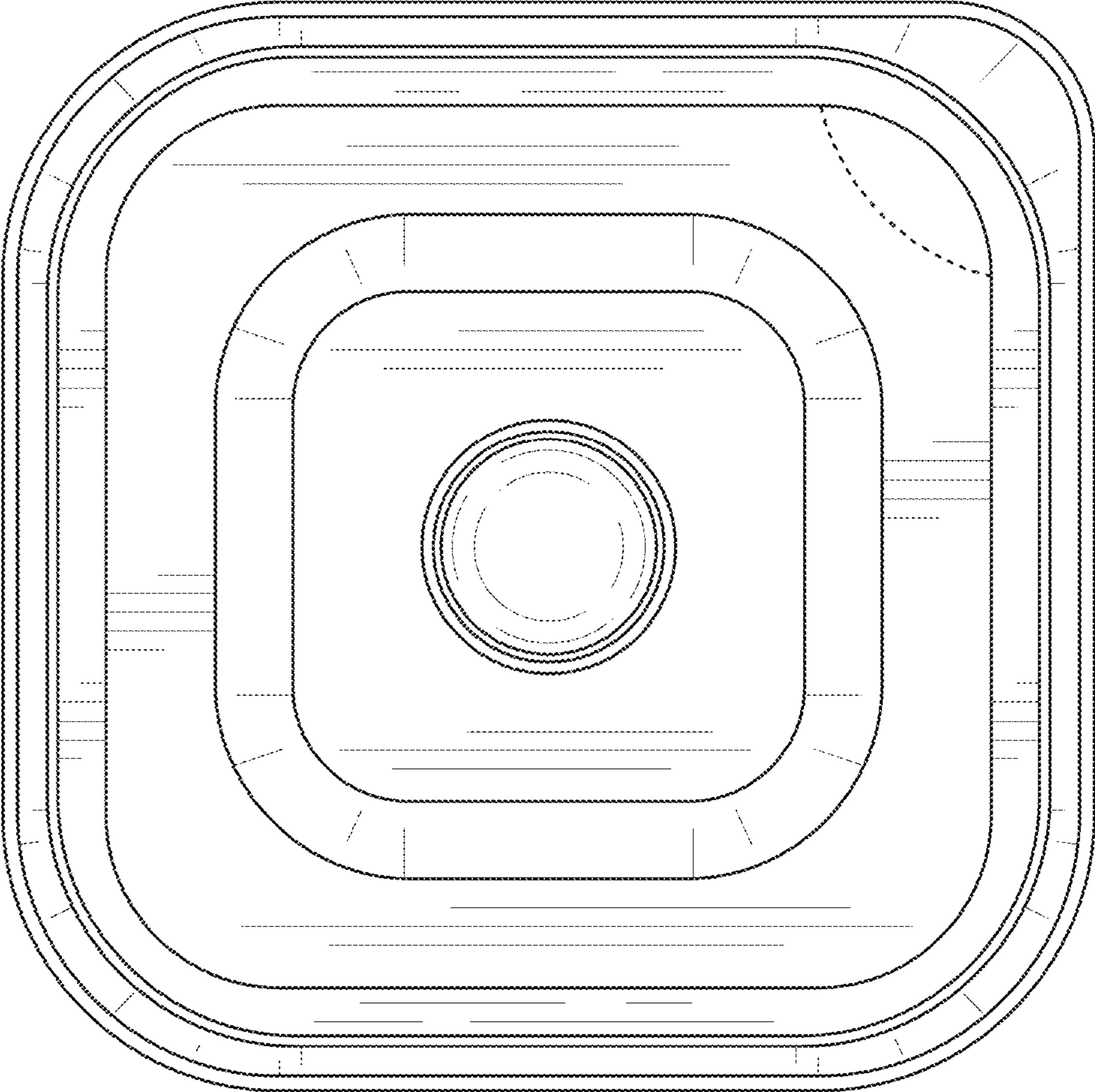
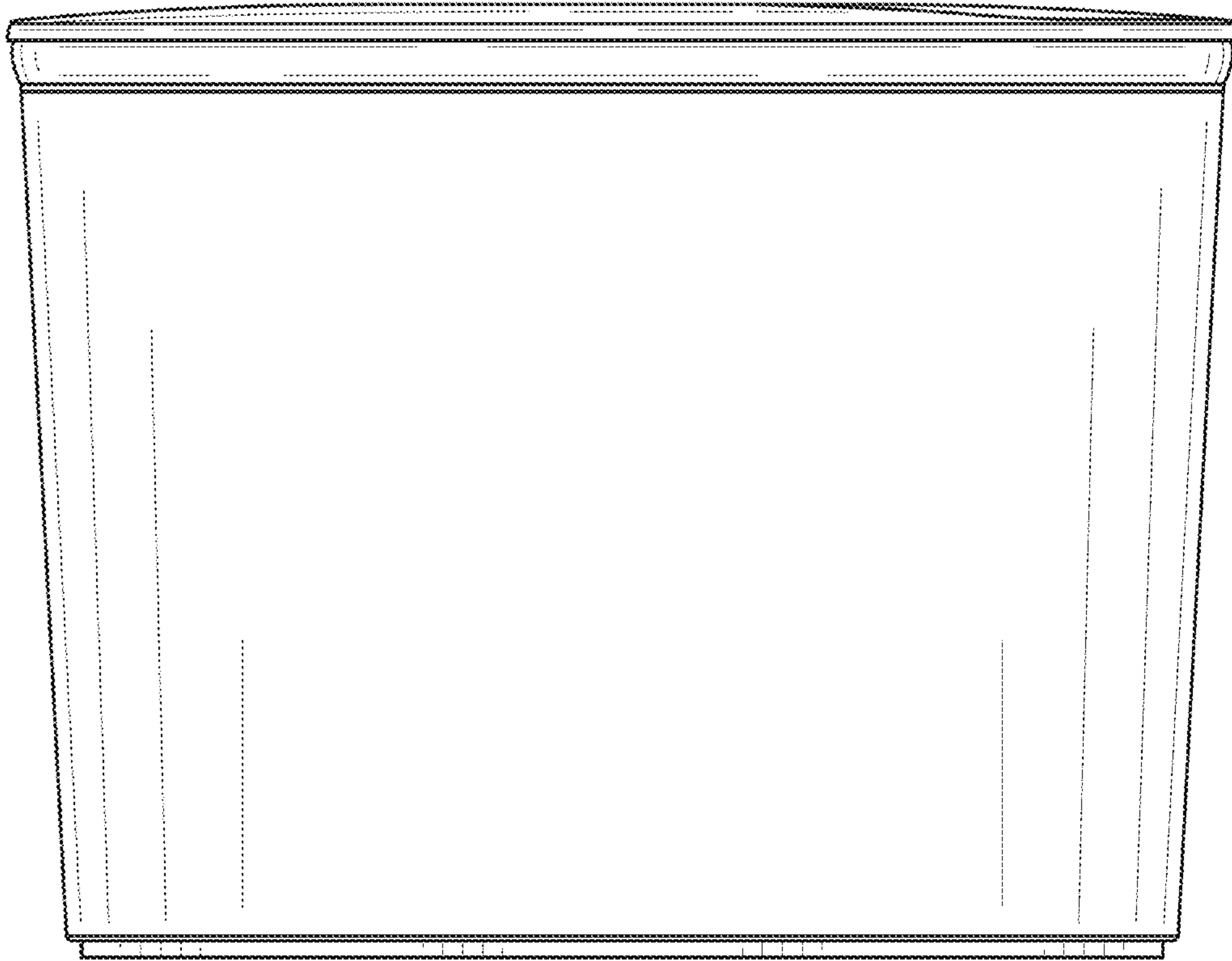
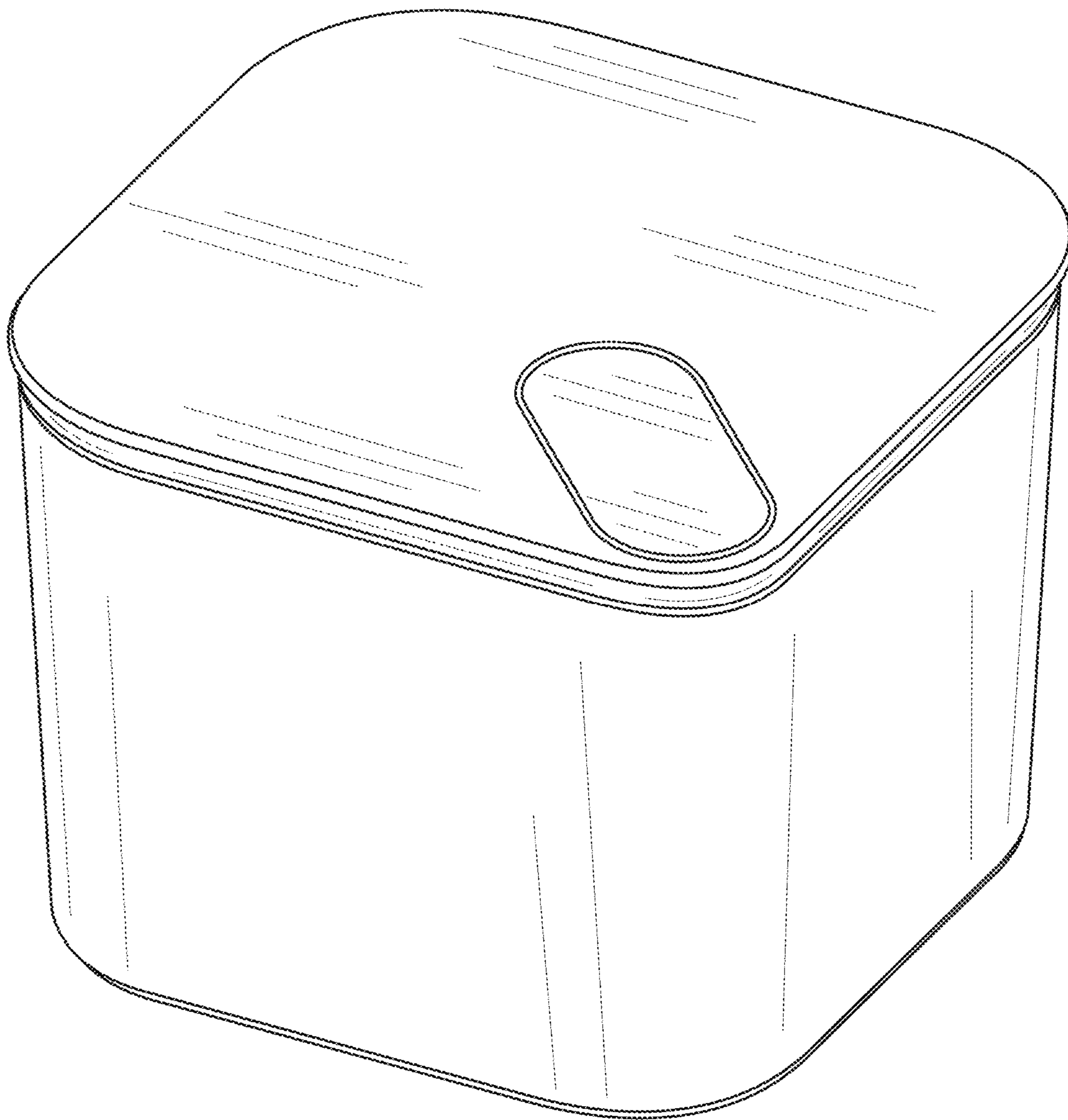


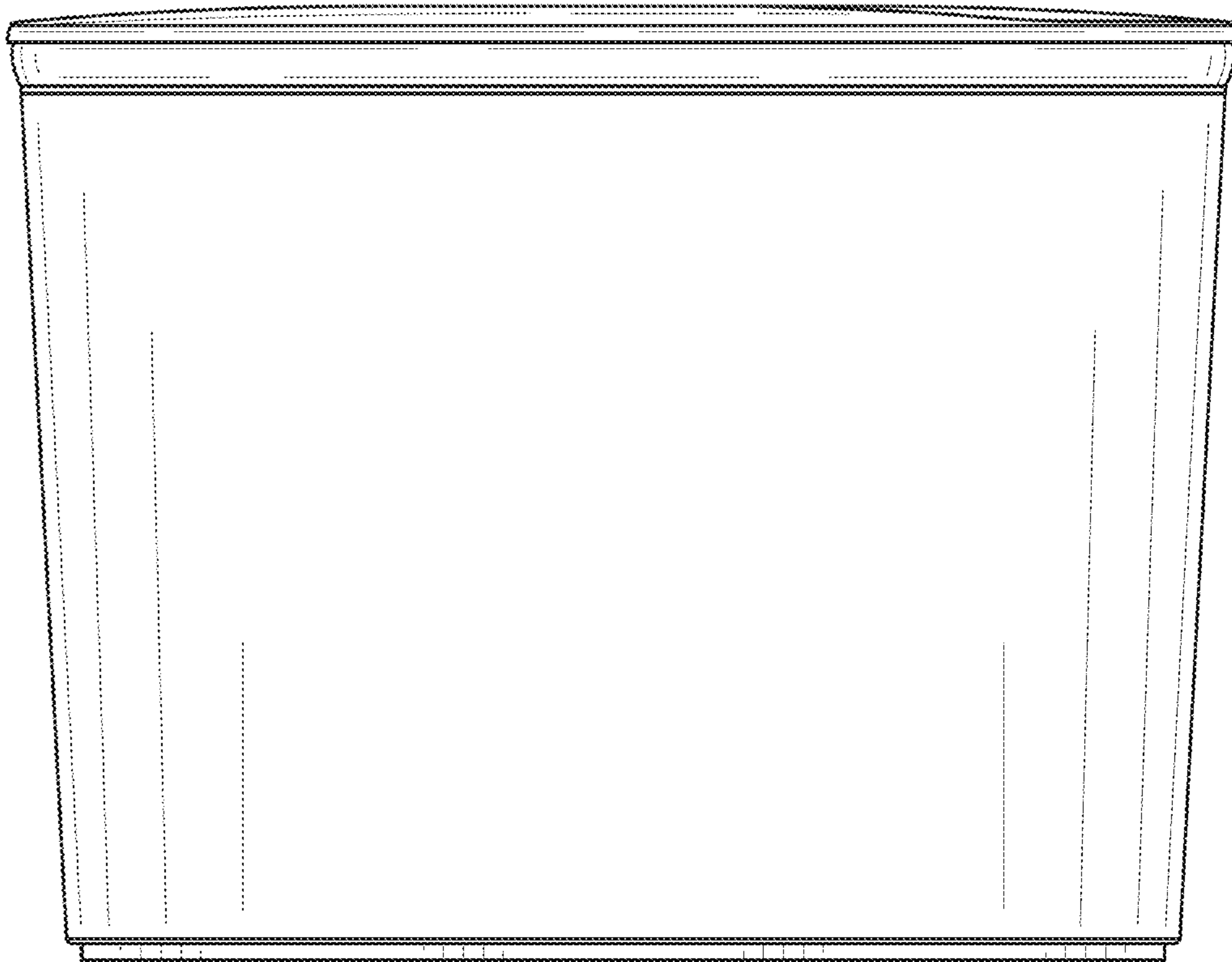
FIG. 4



*FIG. 5*

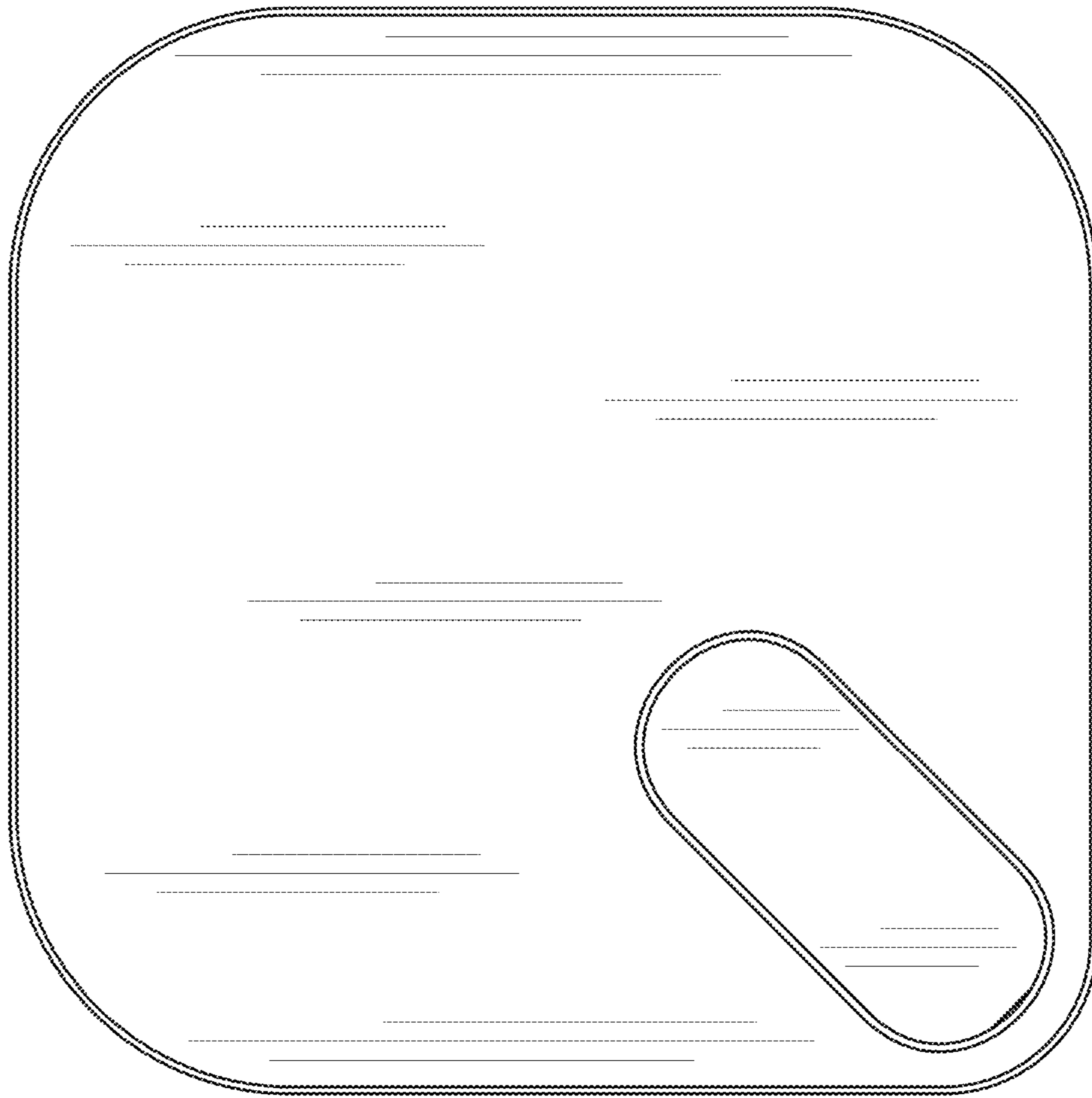


**FIG. 6**

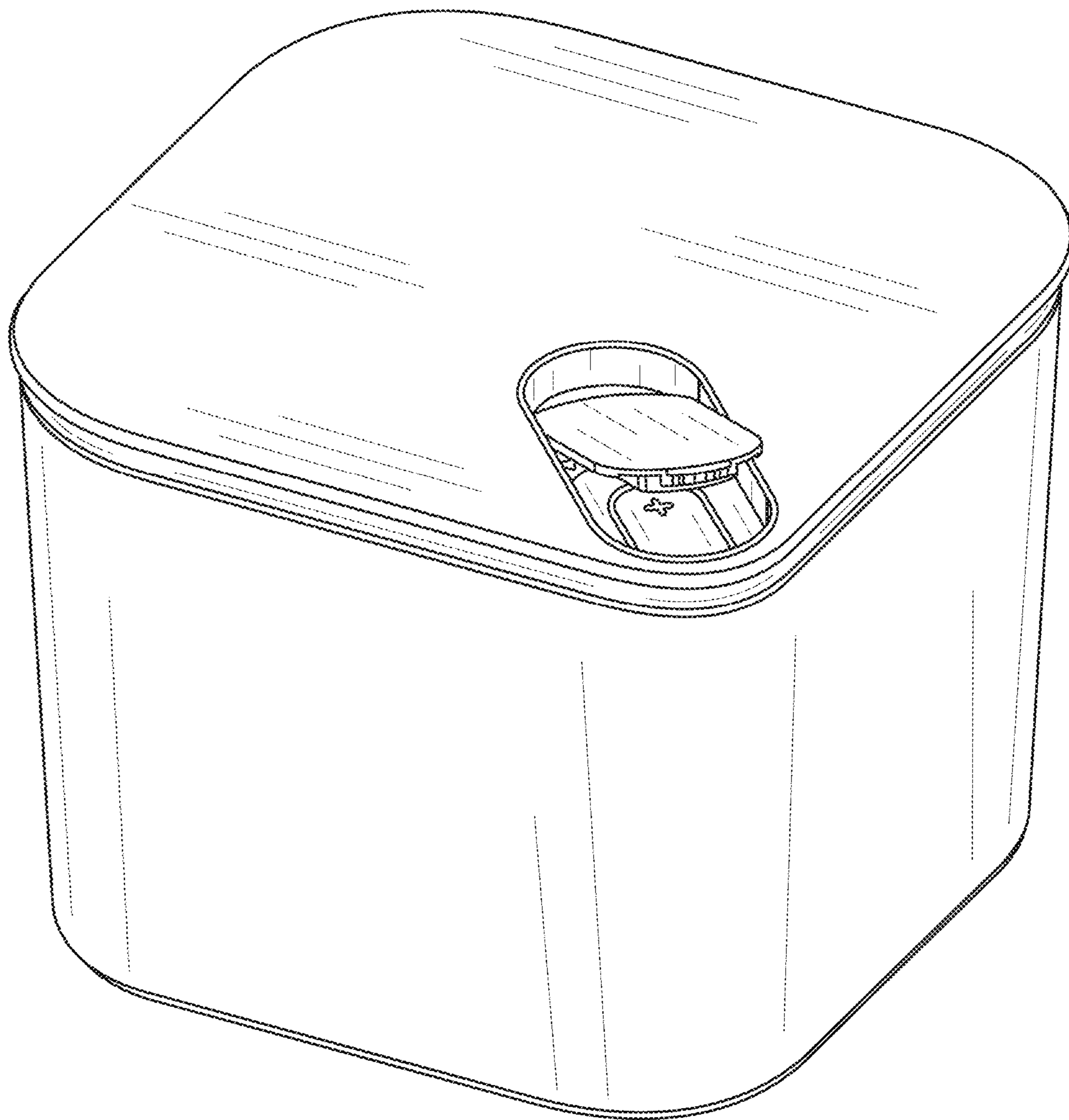


*FIG. 7*





**FIG. 8**



**FIG. 9**